



US00D465758S

(12) **United States Design Patent**
Plessing

(10) **Patent No.:** **US D465,758 S**

(45) **Date of Patent:** **** Nov. 19, 2002**

(54) **FRONT FACE OF A VEHICLE WHEEL**

(75) **Inventor:** **Michael Plessing, Renningen (DE)**

(73) **Assignee:** **DaimlerChrysler AG, Stuttgart (DE)**

(**) **Term:** **14 Years**

(21) **Appl. No.:** **29/144,376**

(22) **Filed:** **Jul. 3, 2001**

(30) **Foreign Application Priority Data**

Jan. 11, 2001 (DE) 4 01 00 133

(51) **LOC (7) Cl.** **12-16**

(52) **U.S. Cl.** **D12/211**

(58) **Field of Search** D12/204-211;
301/37.101, 64.101, 65

(56) **References Cited**

U.S. PATENT DOCUMENTS

D204,256 S	*	4/1966	Rader	D12/209
D367,030 S	*	2/1996	Bouldoukian	D12/209
D377,471 S	*	1/1997	Stach	D12/209
D391,215 S	*	2/1998	Cervati	D12/209
D408,774 S	*	4/1999	Nishida	D12/209
D412,149 S	*	7/1999	Corioni	D12/211

D423,441 S	*	4/2000	Bildhauser	D12/209
D425,472 S	*	5/2000	Donikoglu	D12/209
D432,970 S	*	10/2000	Pfeiffer et al.	D12/209
D436,912 S	*	1/2001	Boyer	D12/211
D453,131 S	*	1/2002	Gabath	D12/209
D453,133 S	*	1/2002	Murkett et al.	D12/209
D454,821 S	*	3/2002	Pfeiffer	D12/209
D456,757 S	*	5/2002	Schroeder	D12/211
D458,208 S	*	6/2002	Hartl	D12/211
D460,728 S	*	7/2002	Clarke	D12/209

* cited by examiner

Primary Examiner—Stacia Cadmus

(74) *Attorney, Agent, or Firm*—Crowell & Moring LLP

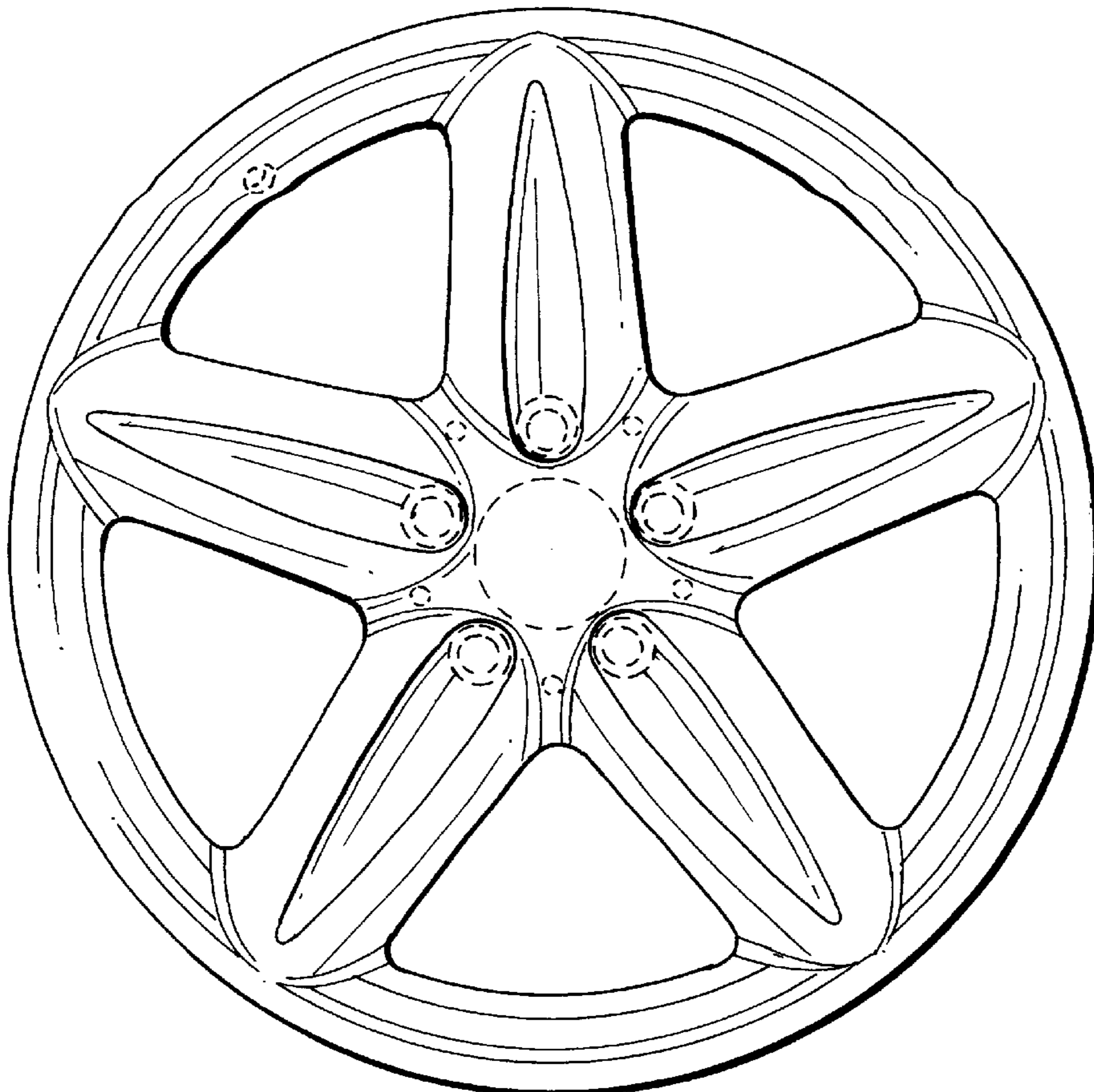
(57) **CLAIM**

The ornamental design for a front face of a vehicle wheel, as shown and described.

DESCRIPTION

FIG. 1 is a front view of the front face of a vehicle wheel according to my novel design; and, FIG. 2 is a perspective view of the front face of a vehicle wheel according to my novel design. The dash lines included depict environment and are not part of the claimed design.

1 Claim, 1 Drawing Sheet



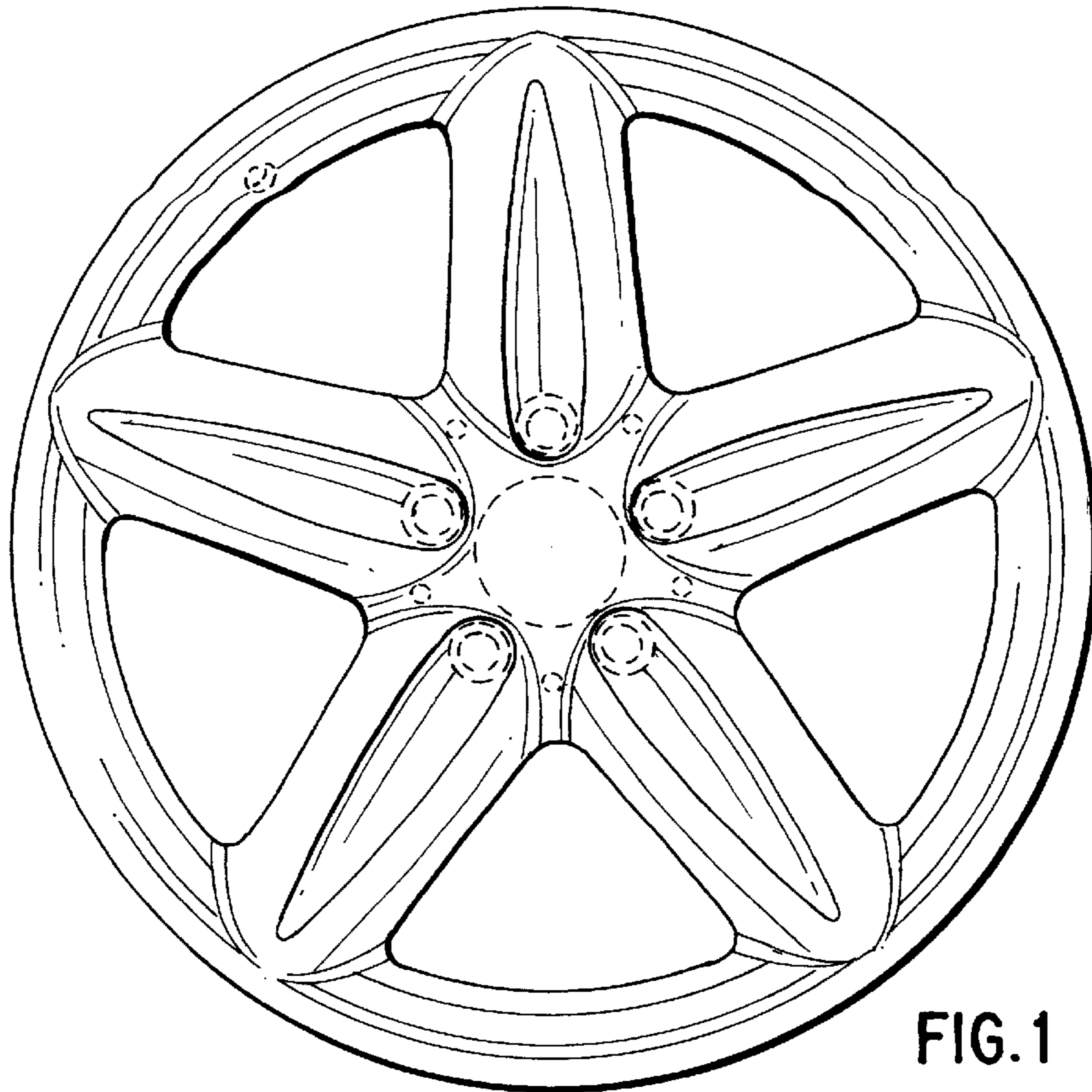


FIG. 1

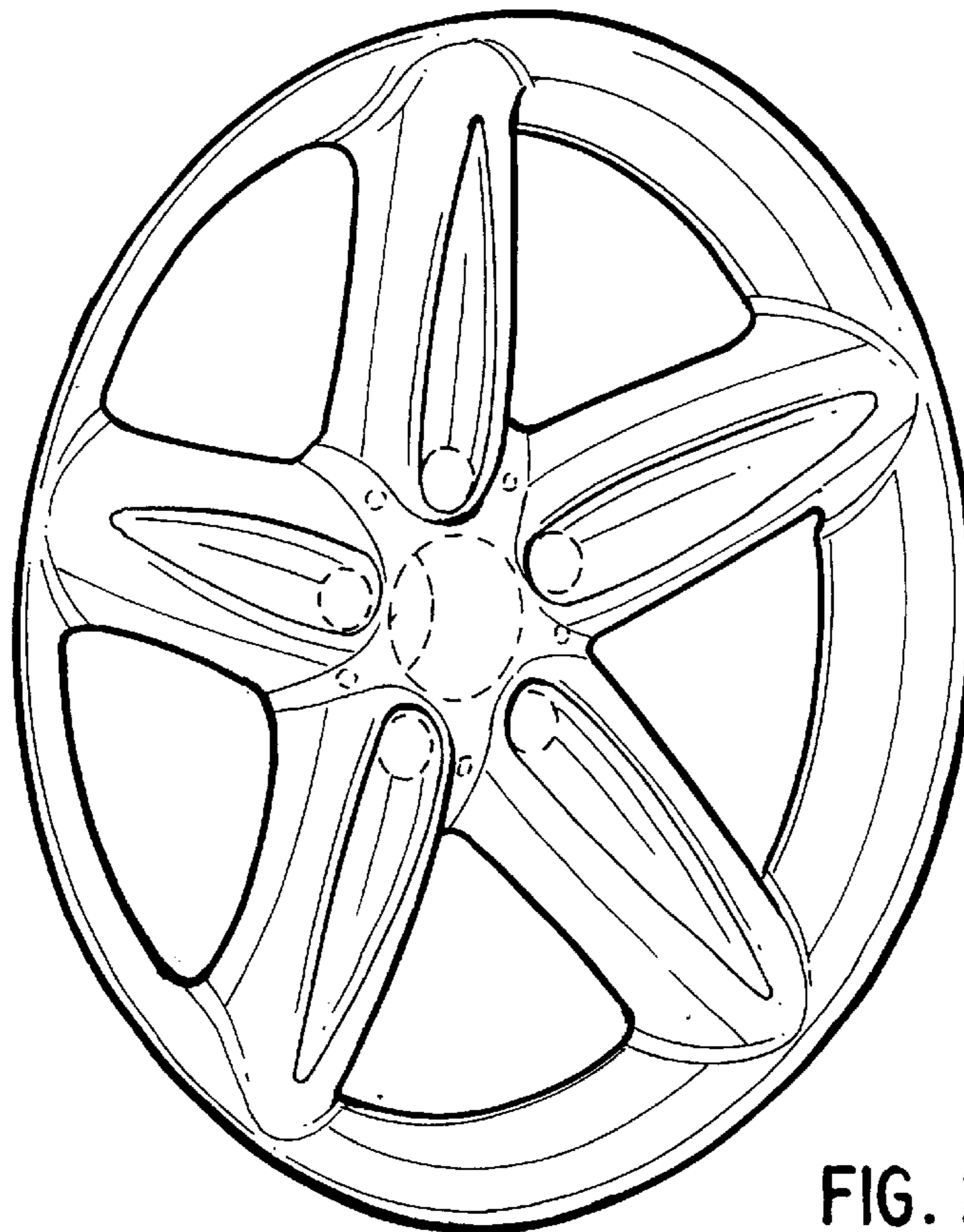


FIG. 2