



US00D465754S

(12) **United States Design Patent**
Huang

(10) **Patent No.:** **US D465,754 S**

(45) **Date of Patent:** **** Nov. 19, 2002**

(54) **DOUBLE-SEAT STROLLER**

D455,679 S * 4/2002 Tai et al. D12/129

(76) Inventor: **Mien Chen Huang**, 123-2, Pitou,
Kuanmiao, Tainan (TW)

* cited by examiner

(**) Term: **14 Years**

Primary Examiner—Marcus A. Jackson
(74) *Attorney, Agent, or Firm*—Pro-Techtor International
Services

(21) Appl. No.: **29/157,166**

(57) **CLAIM**

(22) Filed: **Mar. 12, 2002**

The ornamental design for a double-seat stroller, as shown
and described.

(51) **LOC (7) Cl.** **12-12**

(52) **U.S. Cl.** **D12/129**

(58) **Field of Search** D12/128-133;
280/30, 42, 47.38, 47.371, 642, 643, 647,
648, 650

DESCRIPTION

FIG. 1 is a perspective view of a double-seat stroller
showing my new design;
FIG. 2 is a front view of the design;
FIG. 3 is a rear view of the design;
FIG. 4 is a left side view of the design;
FIG. 5 is a right side view of the design;
FIG. 6 is a top view of the design; and,
FIG. 7 is a bottom view of the design.

(56) **References Cited**

U.S. PATENT DOCUMENTS

D429,664 S	*	8/2000	Gehr	D12/129
D430,076 S	*	8/2000	Gehr	D12/129
D431,212 S	*	9/2000	Haung	D12/129
D450,633 S	*	11/2001	Yang et al.	D12/129

1 Claim, 4 Drawing Sheets





FIG. 1

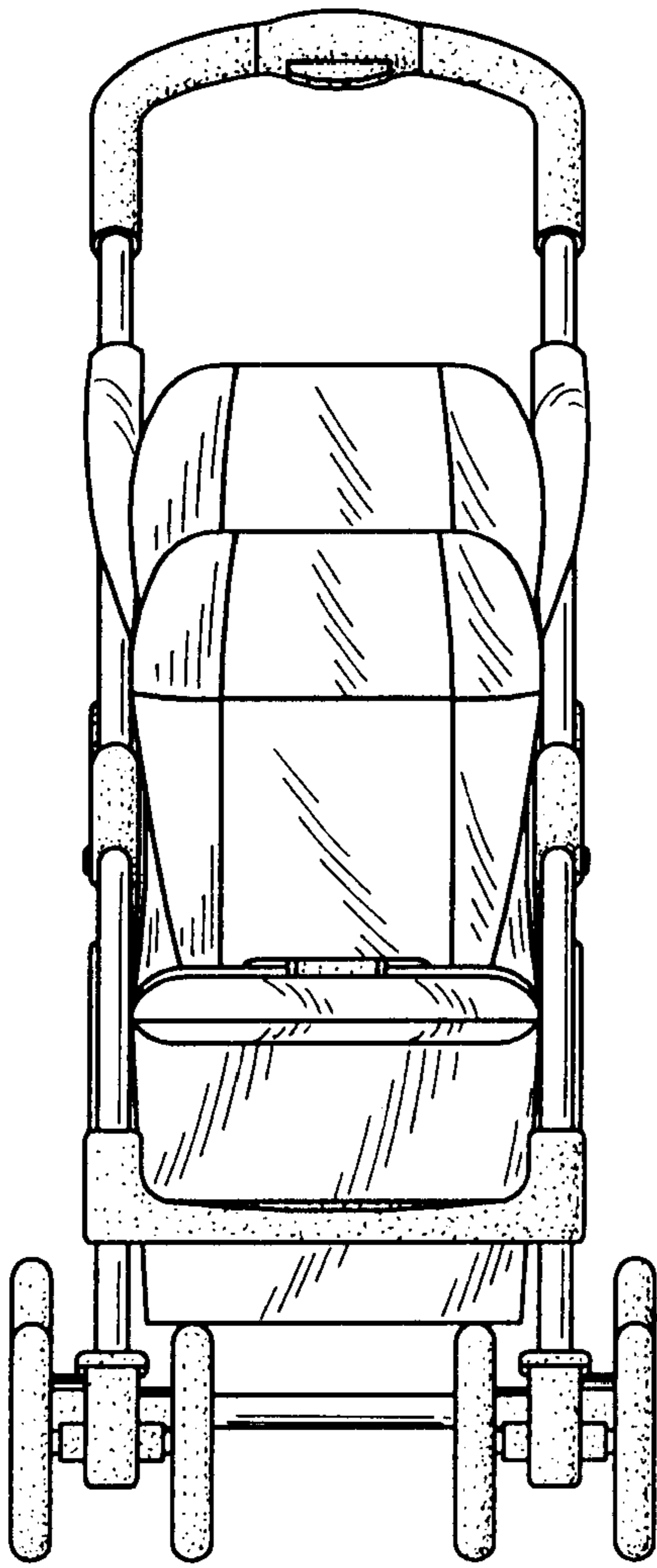


FIG. 2

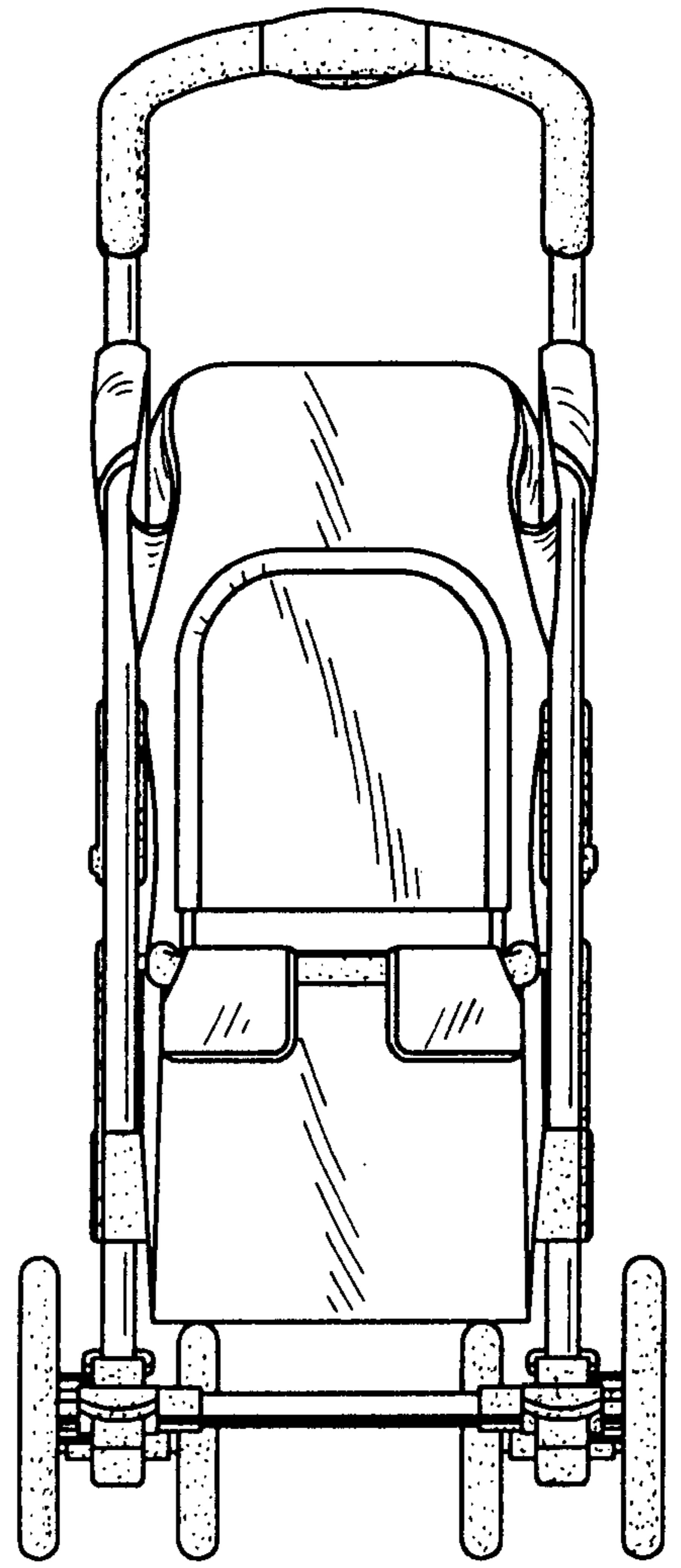


FIG. 3

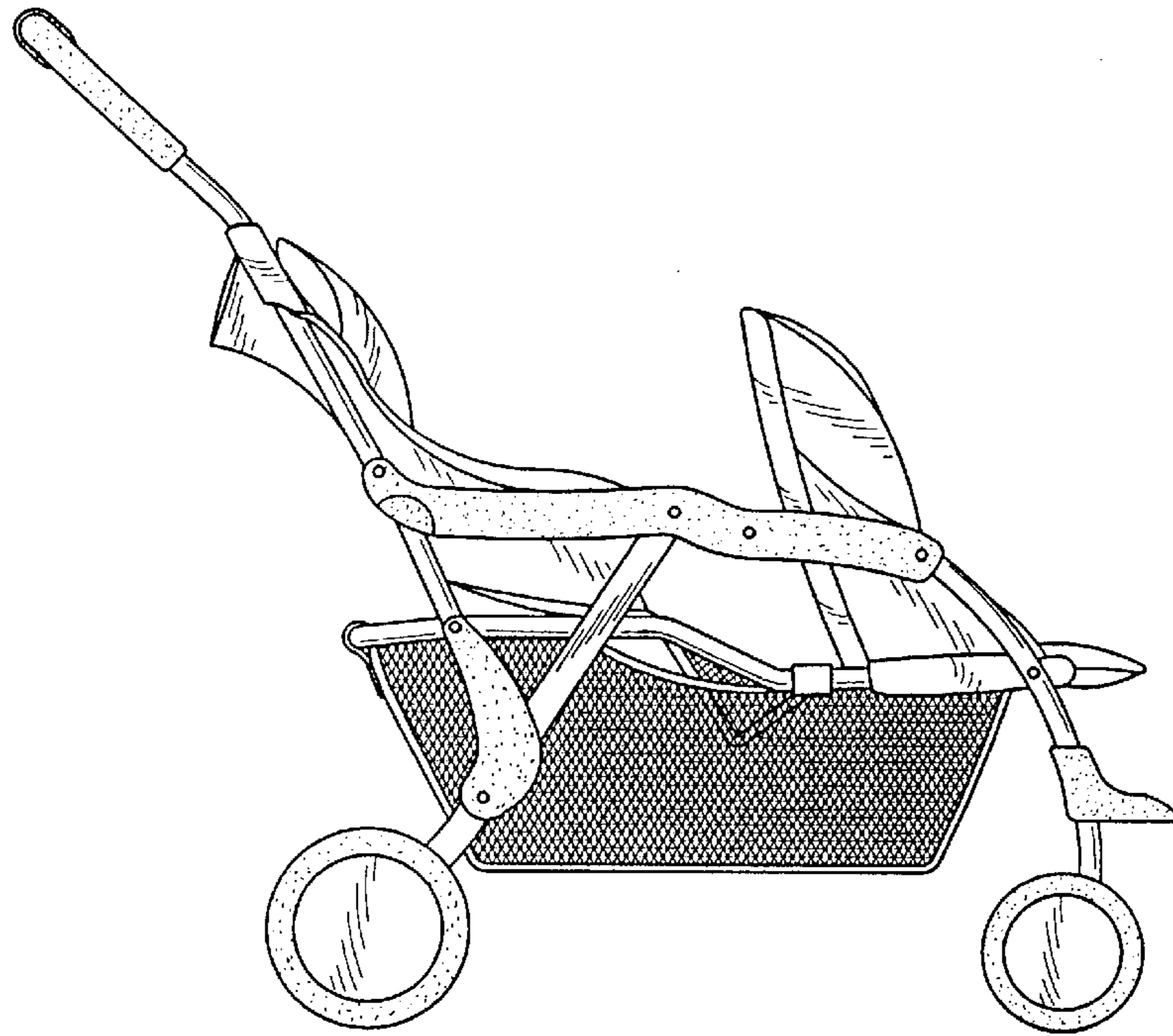


FIG. 4

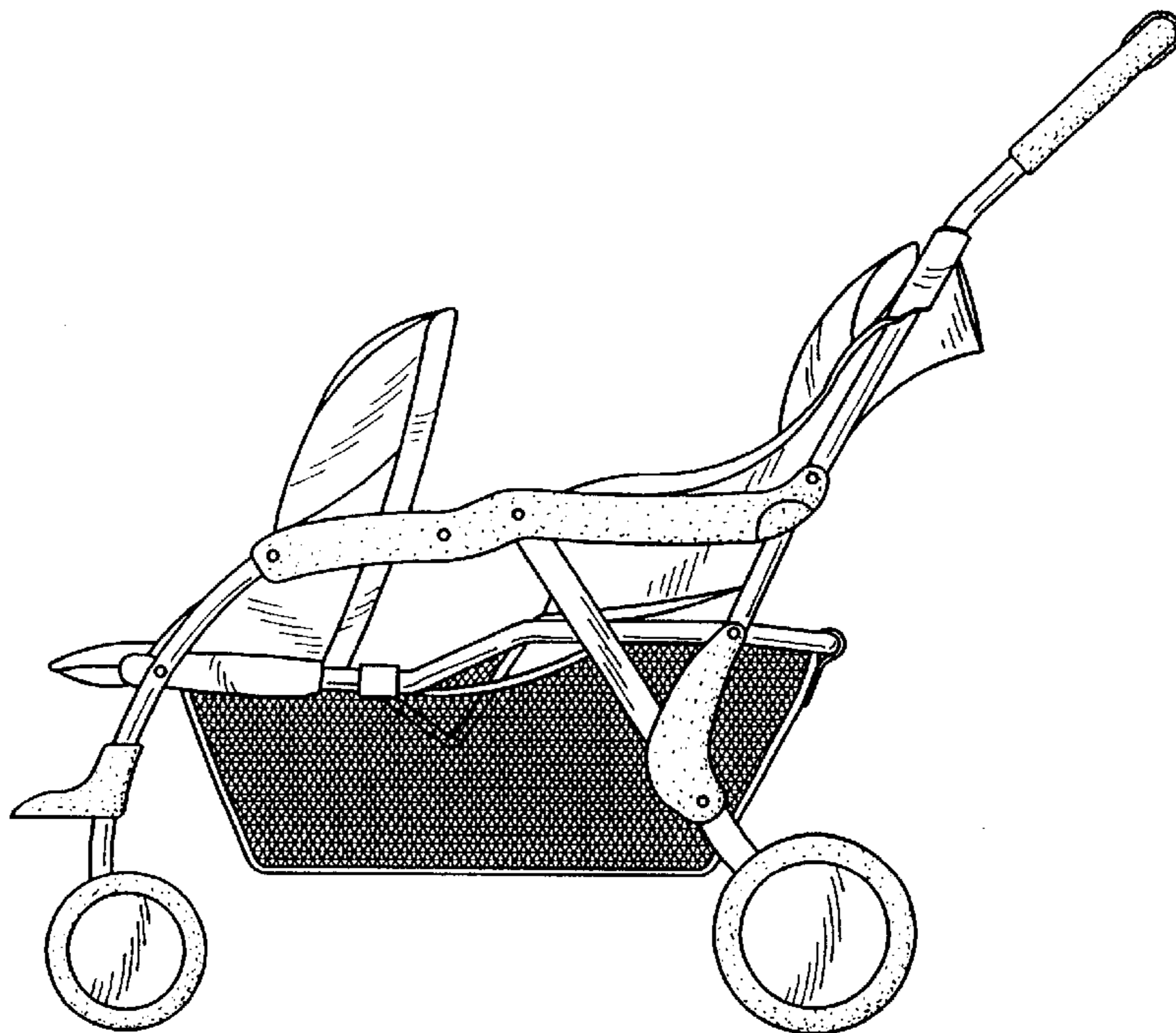


FIG. 5

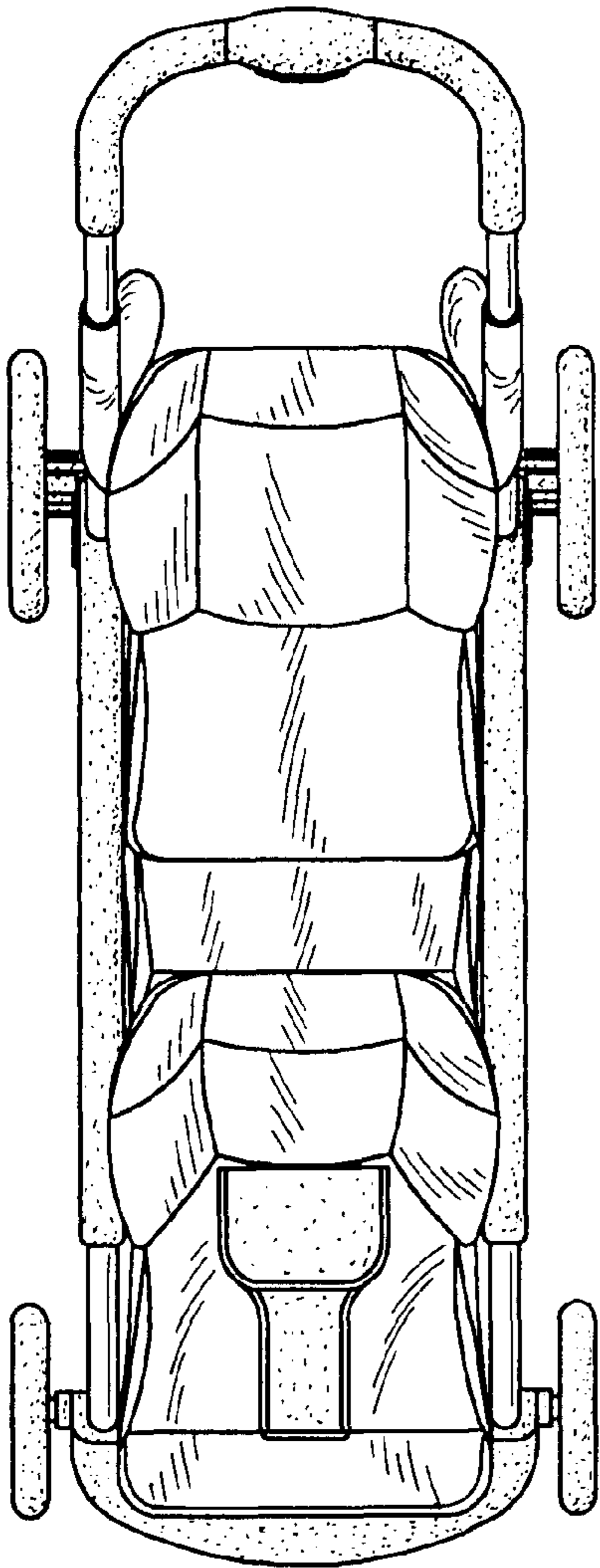


FIG. 6

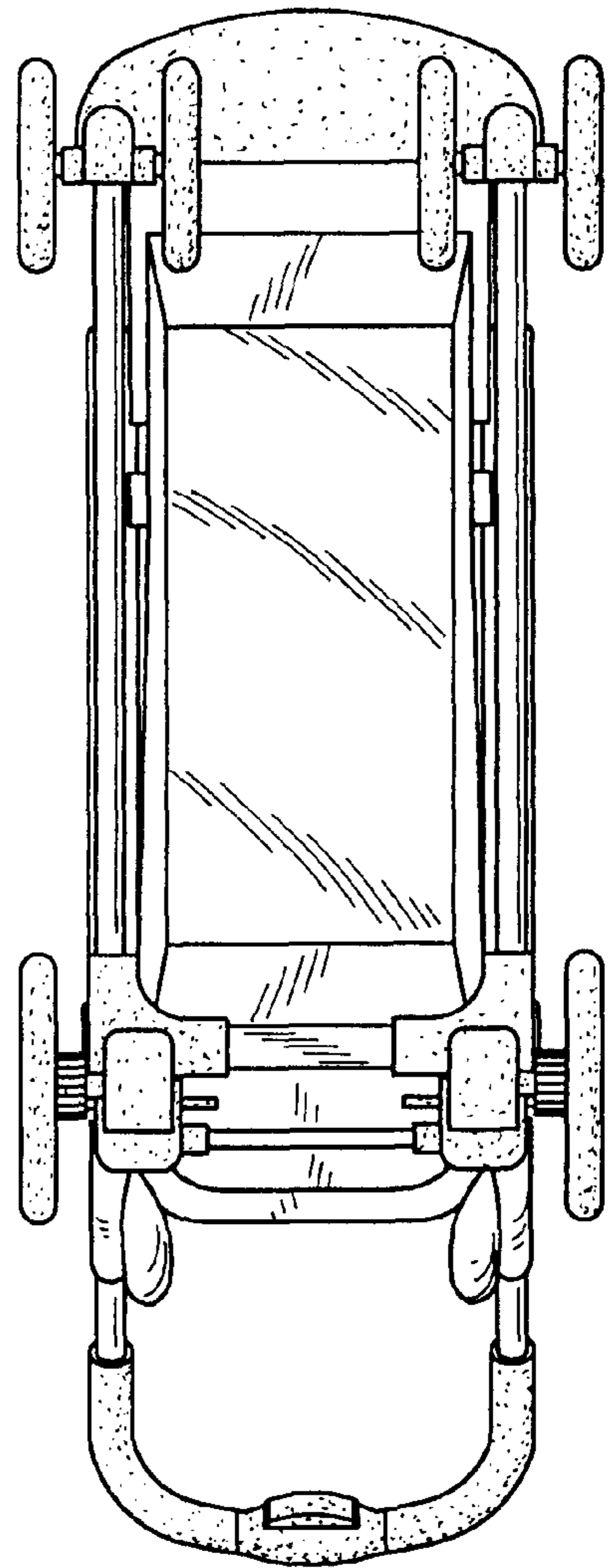


FIG. 7