

US00D465752S

(12) **United States Design Patent** (10) **Patent No.:** **US D465,752 S**  
**Kalhok et al.** (45) **Date of Patent:** **\*\* Nov. 19, 2002**

(54) **FRONT COWLING OF AN ALL TERRAIN VEHICLE**

Yamaha Motorcycles, [www.yamaha-motor.com/01motor-sports/01atv/gallerybody.html](http://www.yamaha-motor.com/01motor-sports/01atv/gallerybody.html), 3 pages.  
Bombardier Parts Catalog 2000, DS 650, Nov. 1999, 704 300 001.

(75) Inventors: **David Kalhok**, Marion, IL (US); **Pierre Rondeau**, St-Denis-de-Brompton (CA); **Martin Portelance**, Sherbrooke (CA)

\* cited by examiner

(73) Assignee: **Bombardier Inc.**, Valcourt (CA)

*Primary Examiner*—Melody N. Brown  
(74) *Attorney, Agent, or Firm*—Pillsbury Winthrop LLP

(\*\*) Term: **14 Years**

(57) **CLAIM**

(21) Appl. No.: **29/156,007**

The ornamental design of a front cowling of an all terrain vehicle, as shown and described.

(22) Filed: **Dec. 5, 2001**

**Related U.S. Application Data**

**DESCRIPTION**

(62) Division of application No. 29/123,530, filed on May 19, 2000, now Pat. No. Des. 458,562.

FIG. 1 is a perspective illustration, from the front and right side, of a first embodiment of a front cowling of the all terrain vehicle of our design;

(51) **LOC (7) Cl.** ..... **12-11**

FIG. 2 is a top view thereof;

(52) **U.S. Cl.** ..... **D12/114; D12/107**

FIG. 3 is a front view thereof;

(58) **Field of Search** ..... D12/107, 114, D12/3; 180/225, 229, 233, 315, 311, 312

FIG. 4 is a right side view thereof;

FIG. 5 is a rear view thereof;

(56) **References Cited**

FIG. 6 is a left side view thereof;

**U.S. PATENT DOCUMENTS**

FIG. 7 is a perspective illustration, from the front and right side, of a second embodiment of a front cowling of the terrain vehicle of our design;

- D298,744 S 11/1988 Saito et al.
- D327,457 S 6/1992 Saito
- D330,694 S 11/1992 Kimura et al.
- D412,464 S 8/1999 Ichihara et al.
- D427,942 S 7/2000 Cho et al.
- D438,823 S 3/2001 Luh
- D452,835 S \* 1/2002 Aoki et al. .... D12/107
- D458,562 S \* 6/2002 Kalhok et al. .... D12/107

FIG. 8 is a top view of FIG. 7;

FIG. 9 is a front view of FIG. 7;

FIG. 10 is a right side view of FIG. 7;

FIG. 11 is a rear view of FIG. 7; and,

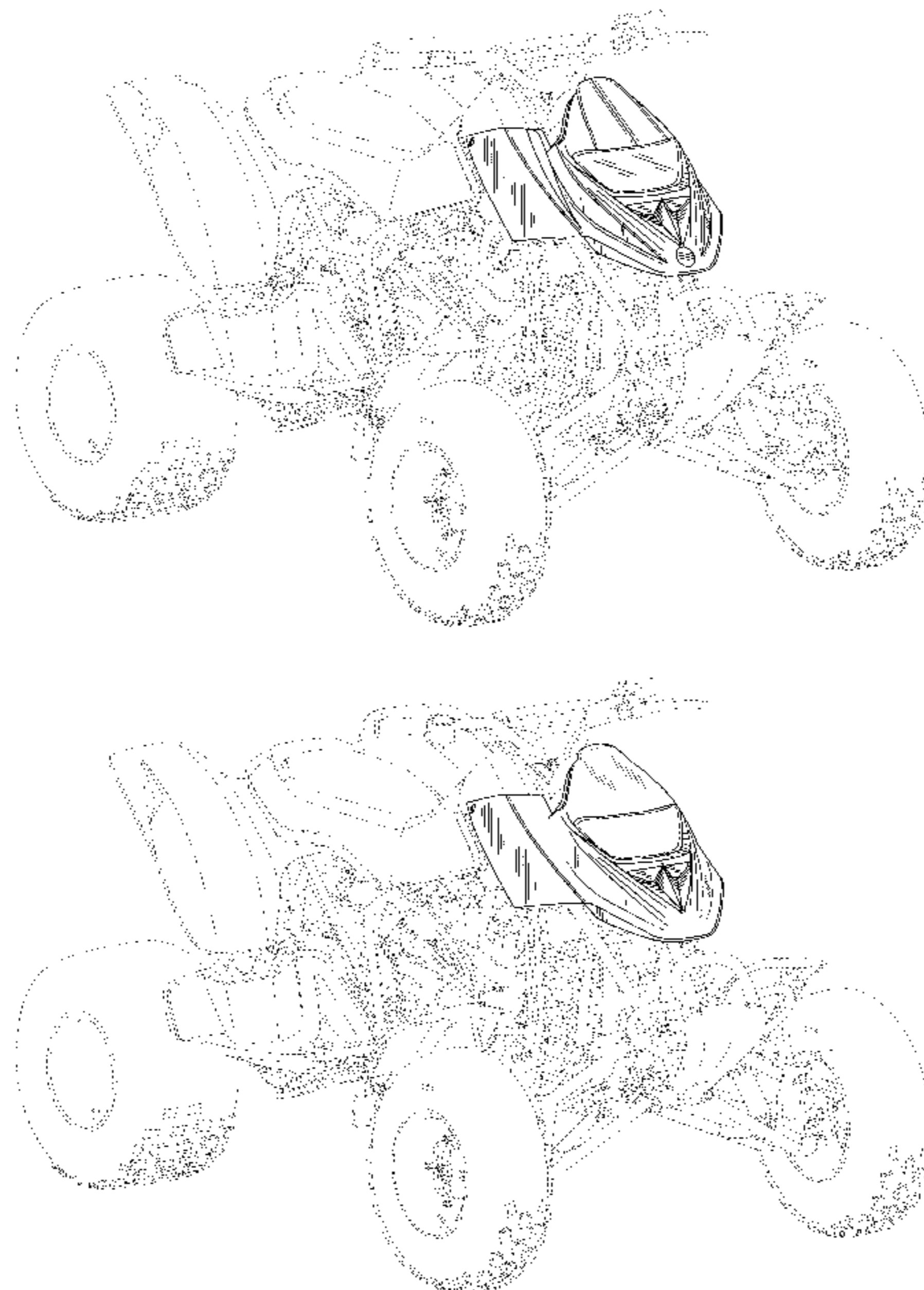
FIG. 12 is a left side view of FIG. 7.

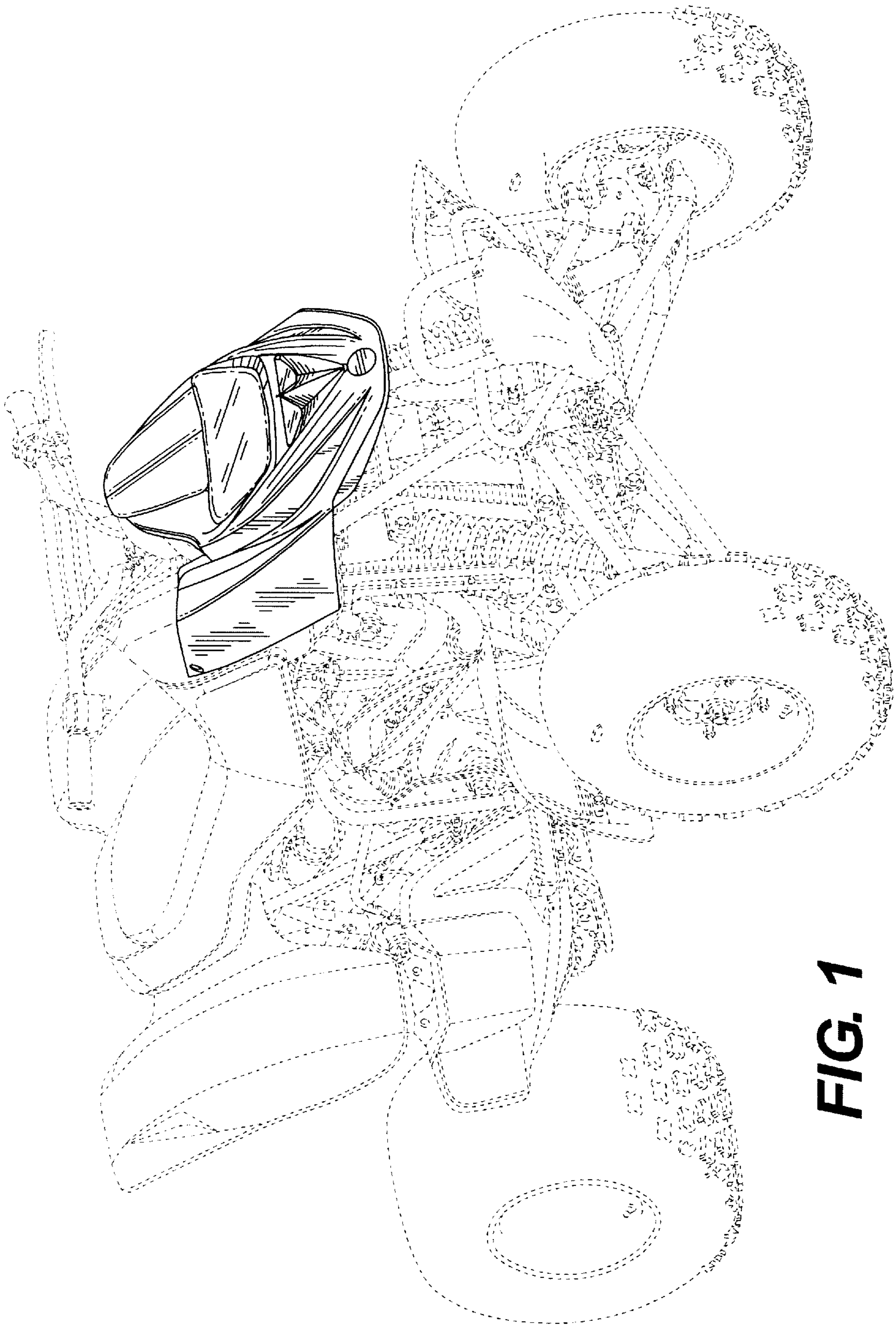
**OTHER PUBLICATIONS**

The broken lines shown in FIGS. 1 and 7 are for illustrative purposes only and form no part of the claimed design.

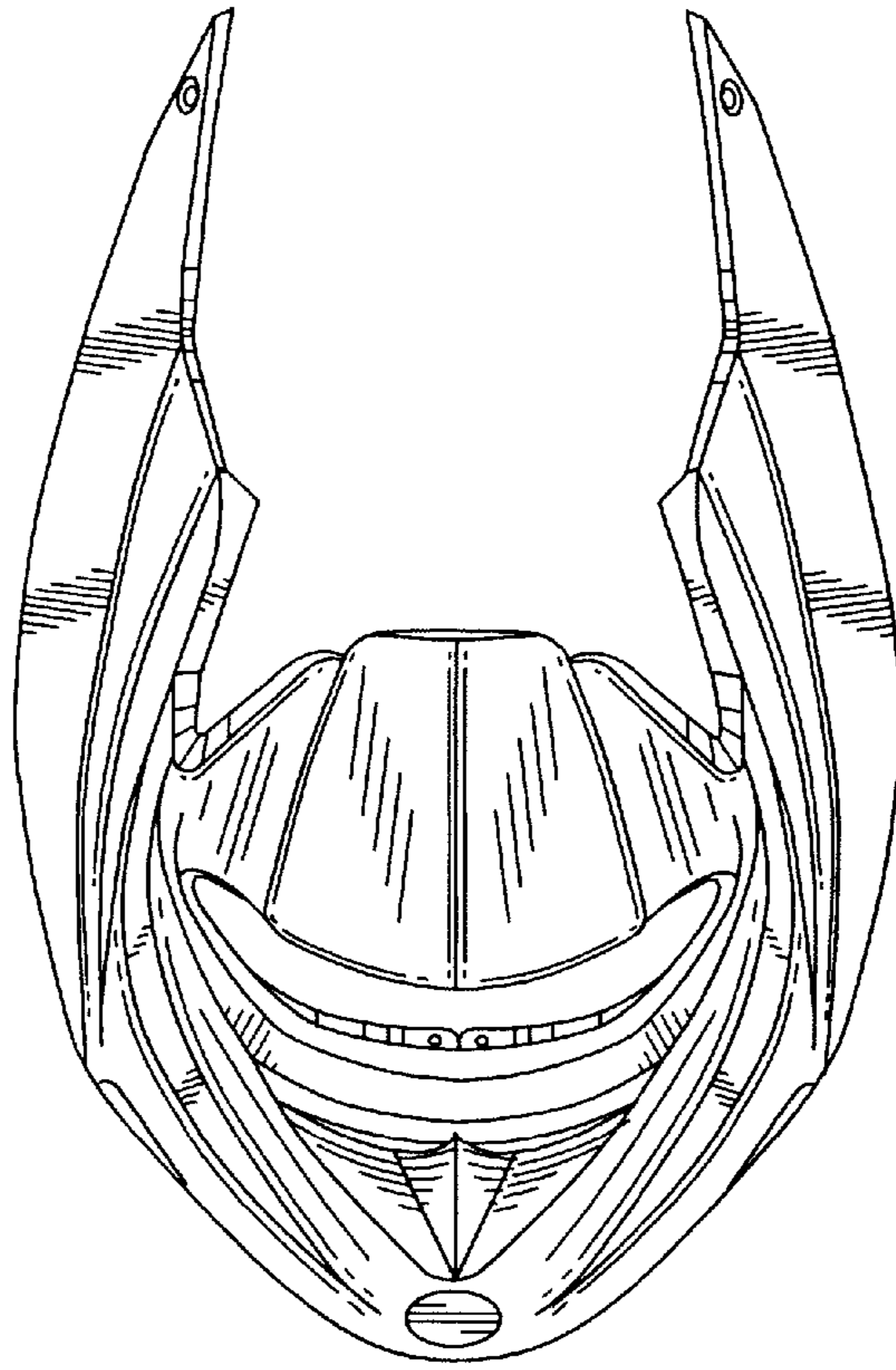
Honda Motorcycles, 1986 FourTrax 250R, [www.hondamotorcycle.com/classics/1986fourtrax250r/index.html](http://www.hondamotorcycle.com/classics/1986fourtrax250r/index.html), 3 pages.

**1 Claim, 6 Drawing Sheets**

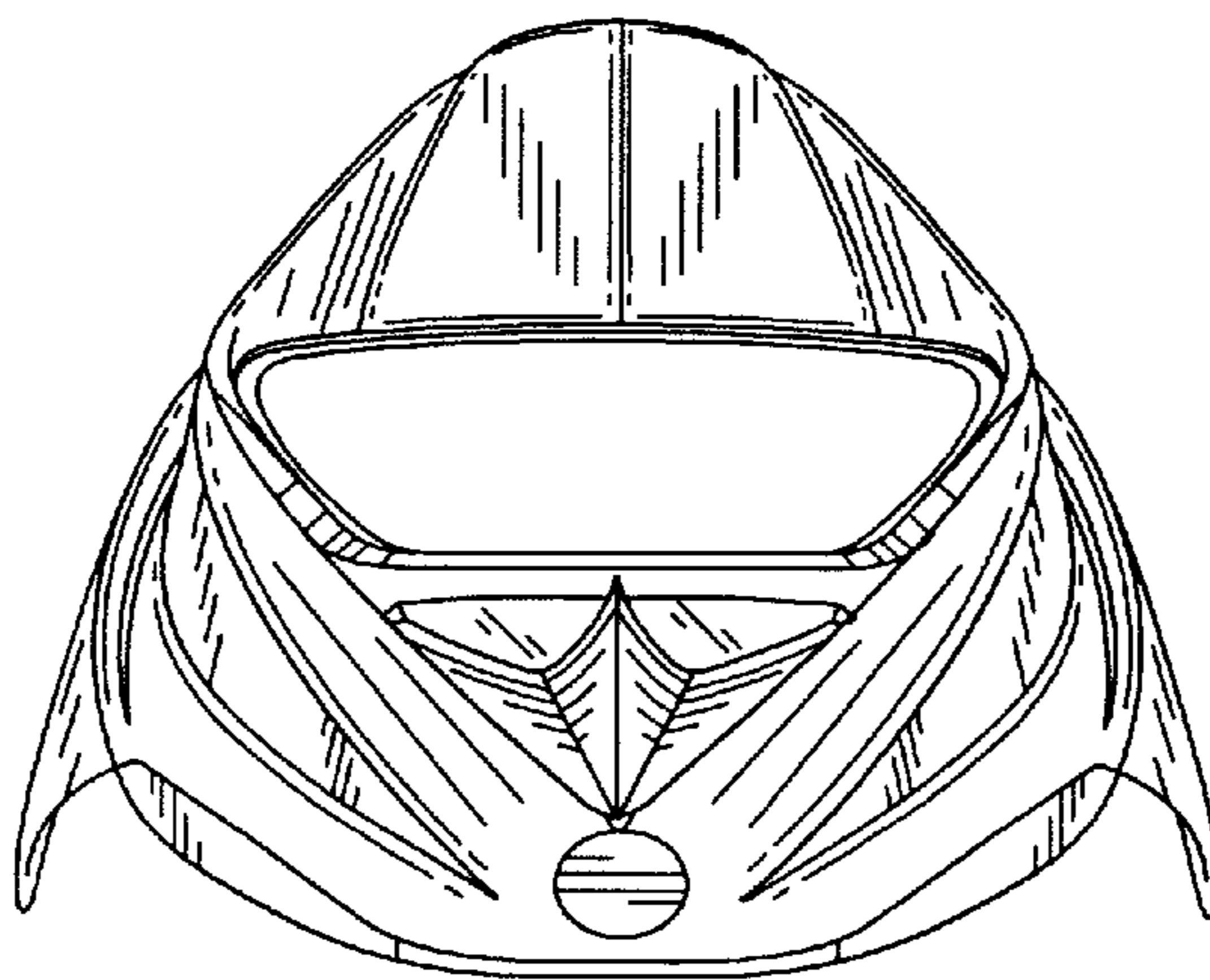




**FIG. 1**

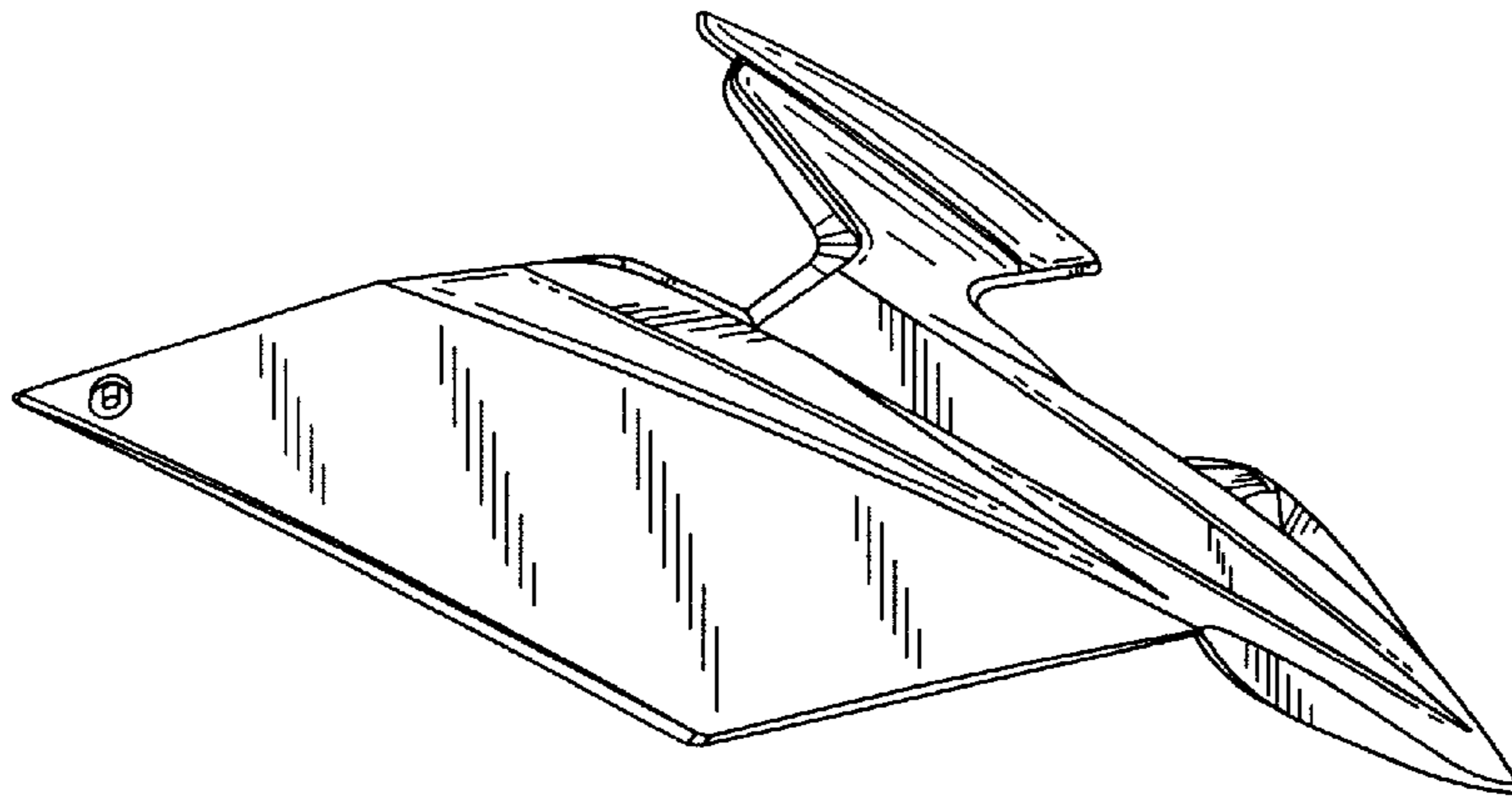


**FIG. 2**

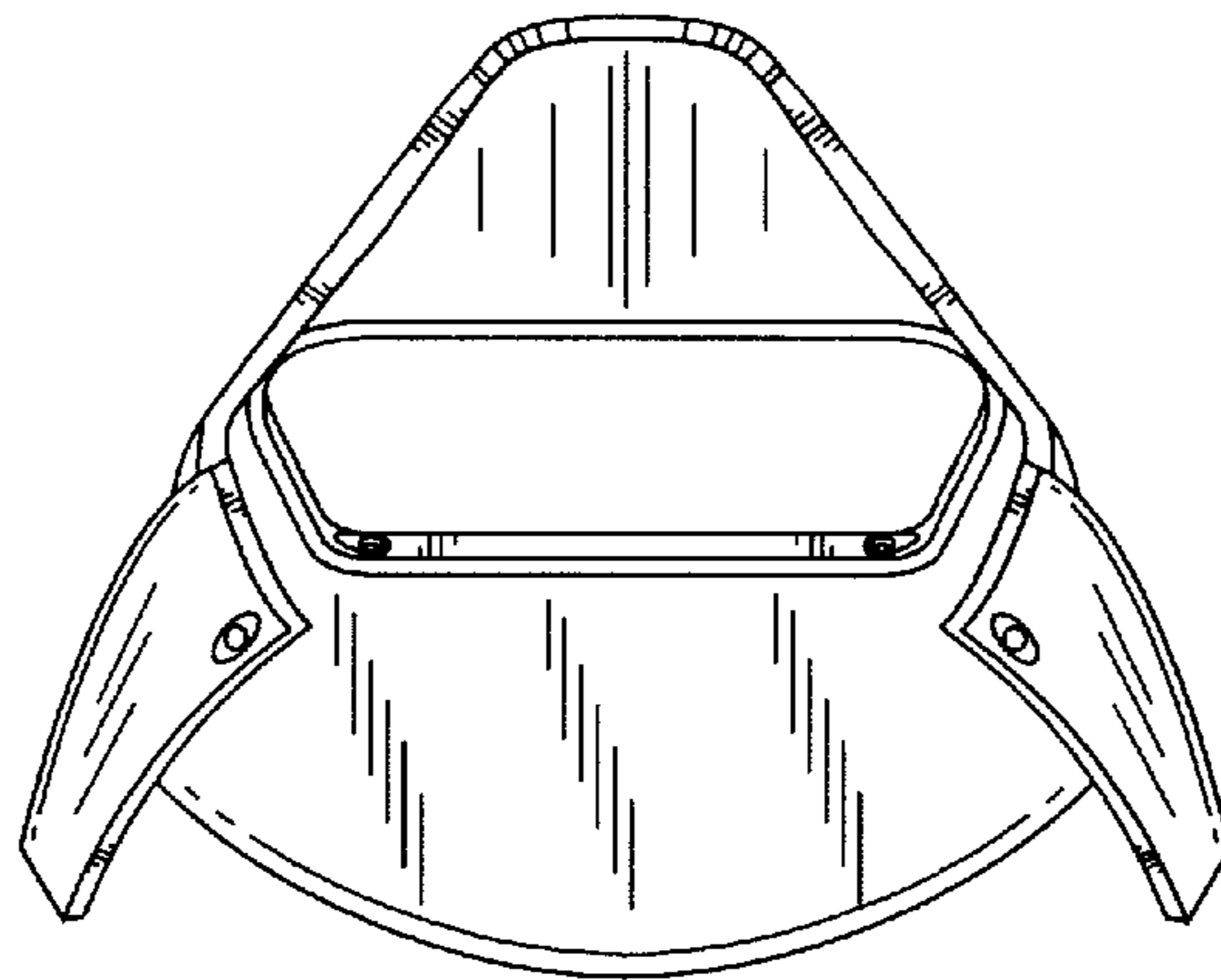


**FIG. 3**

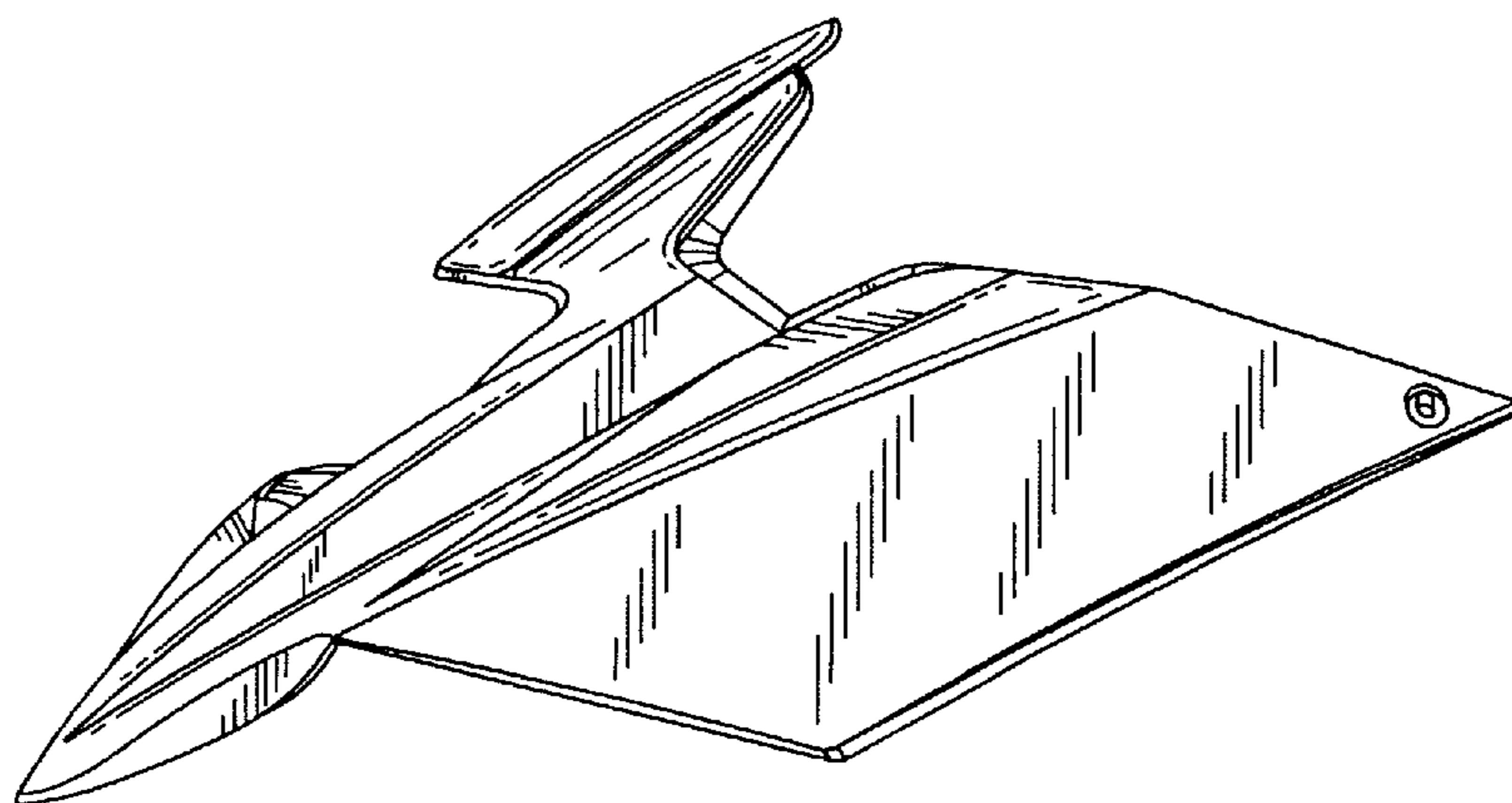




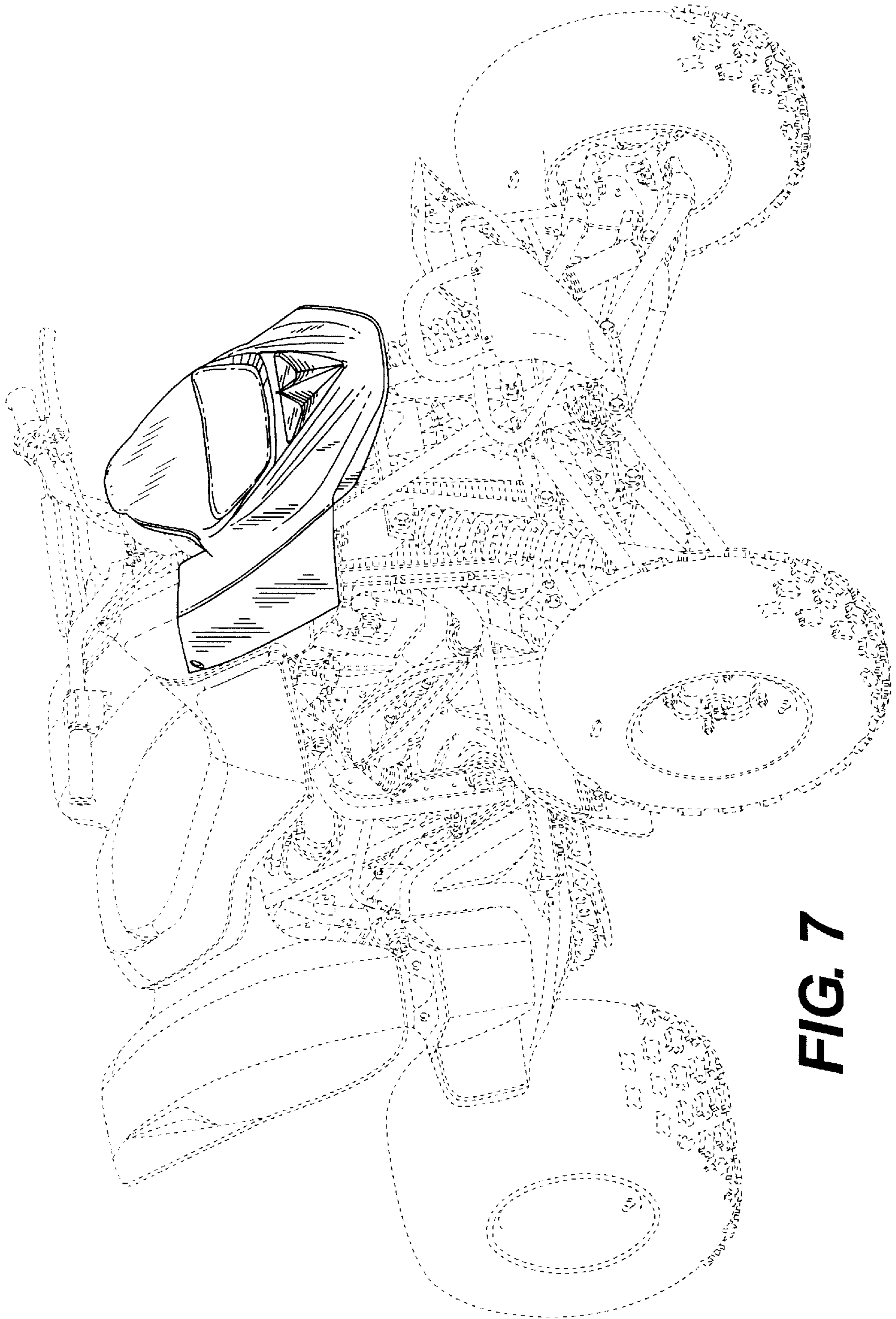
**FIG. 4**



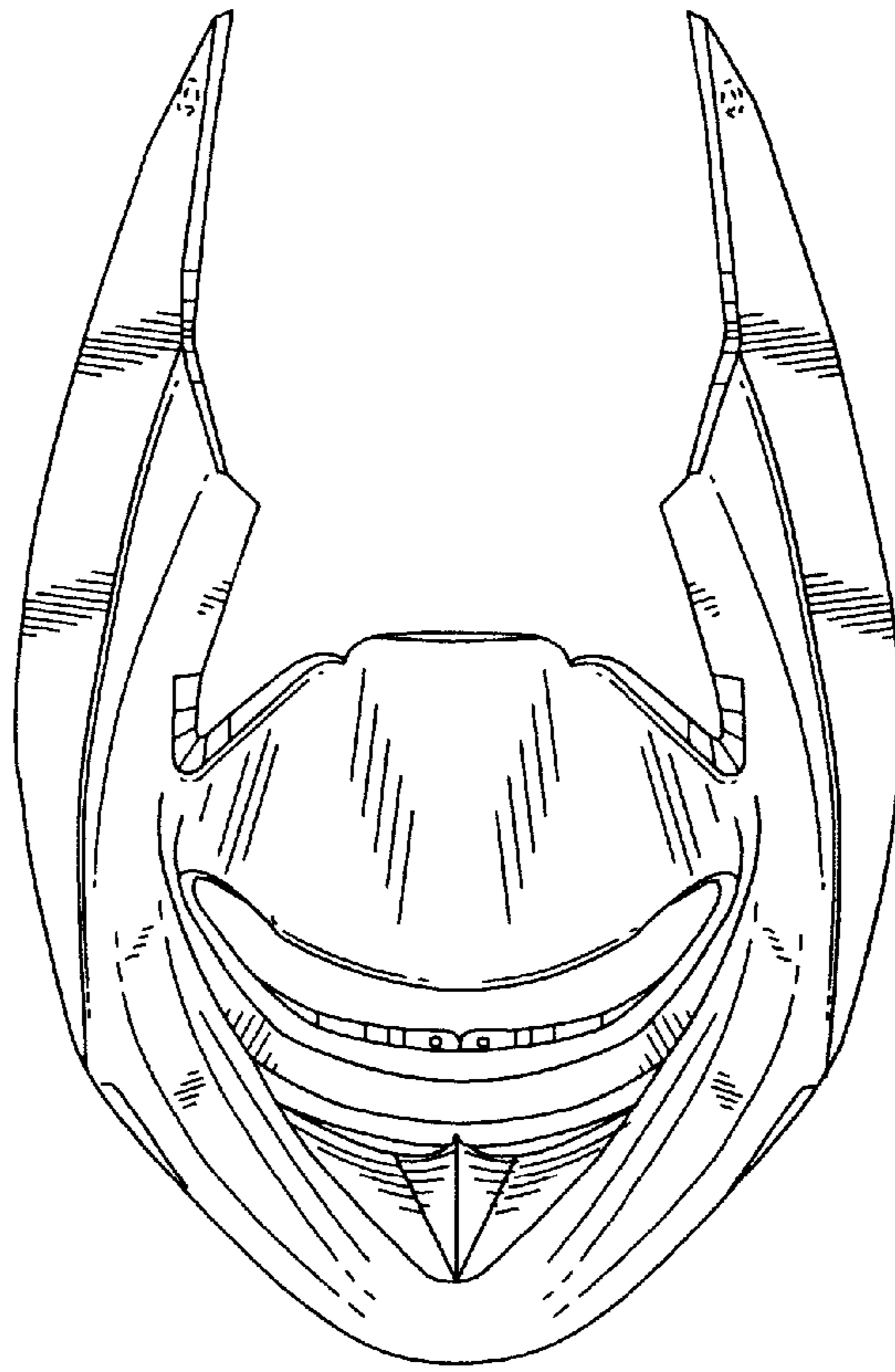
**FIG. 5**



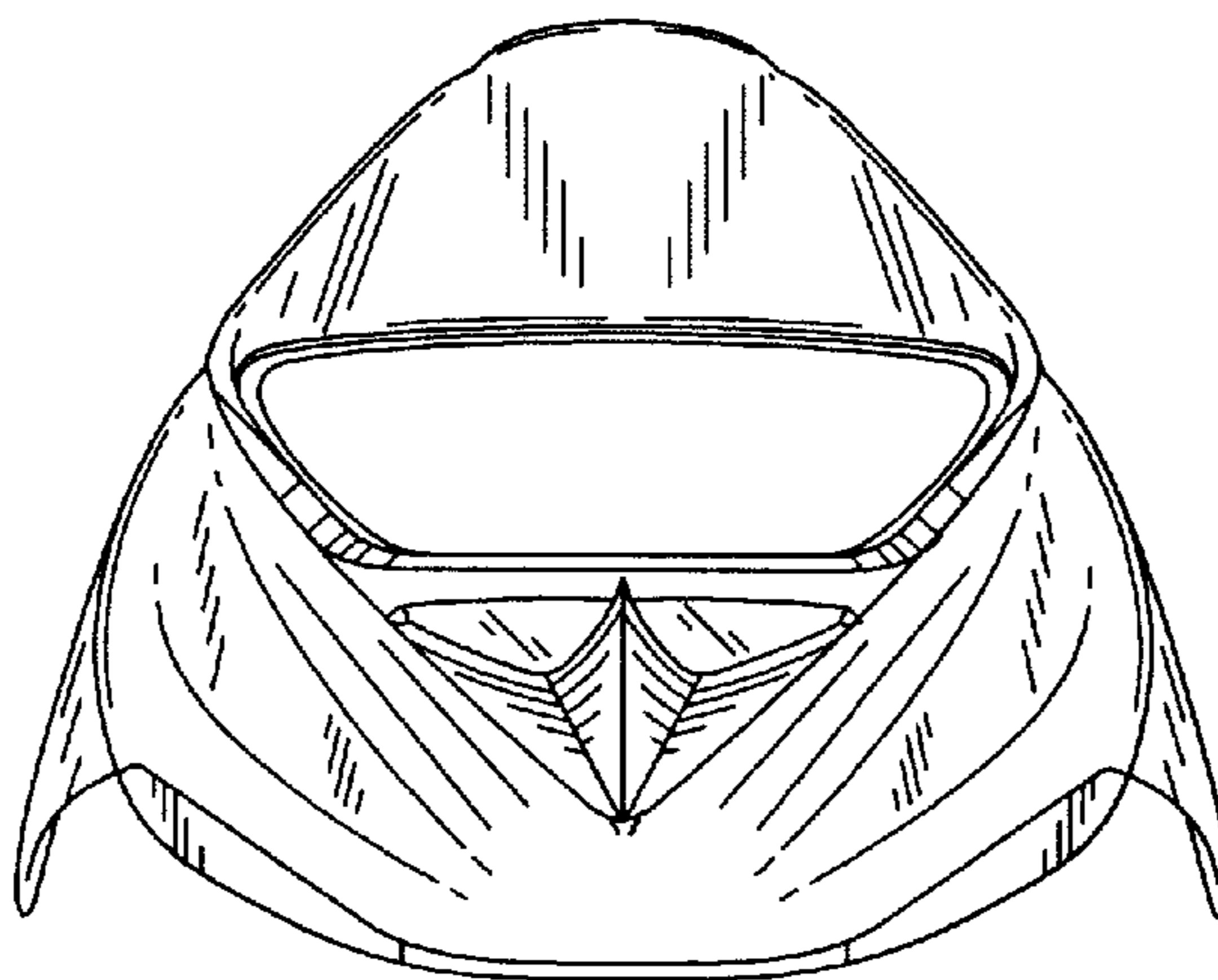
**FIG. 6**



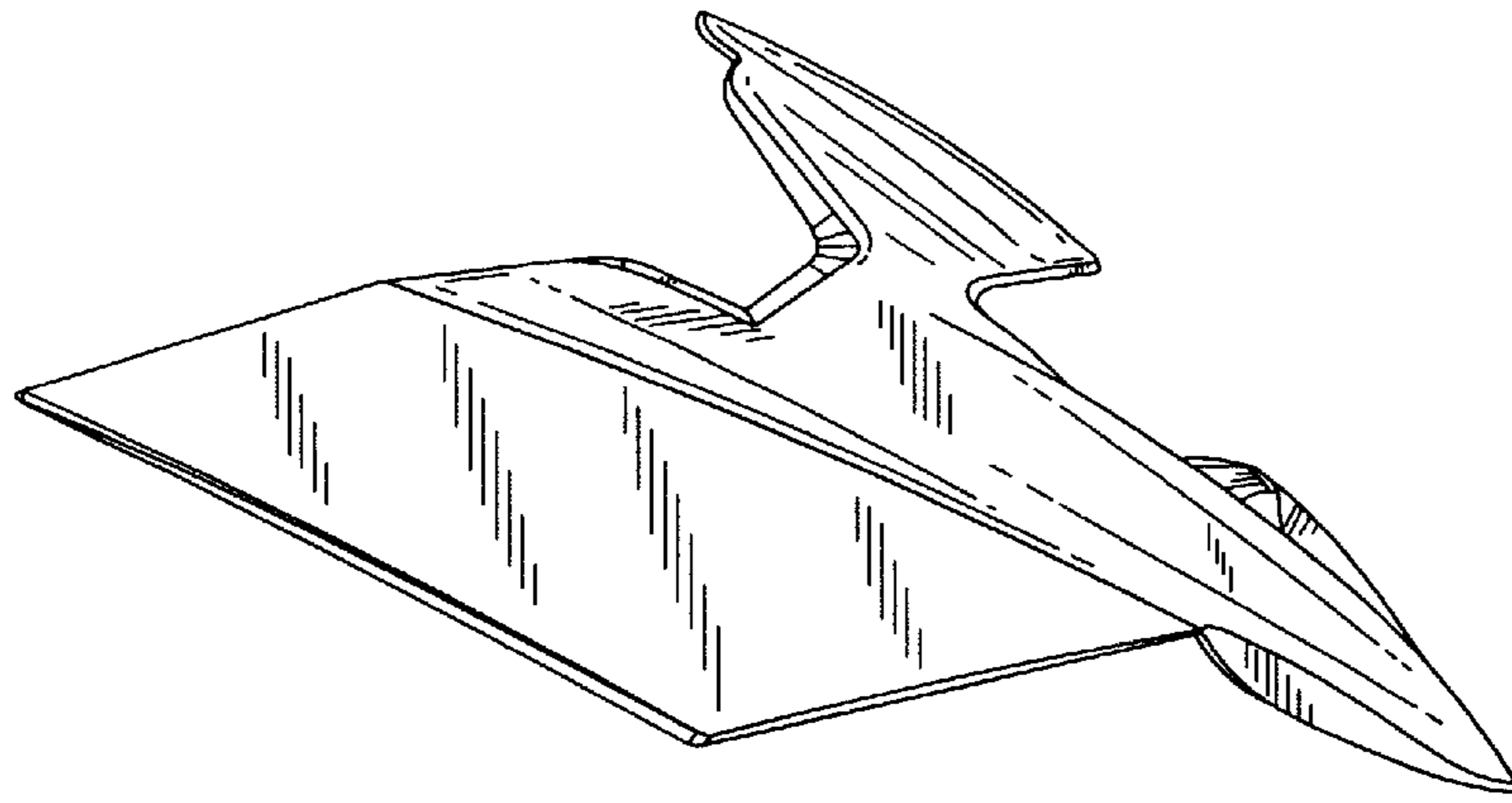
**FIG. 7**



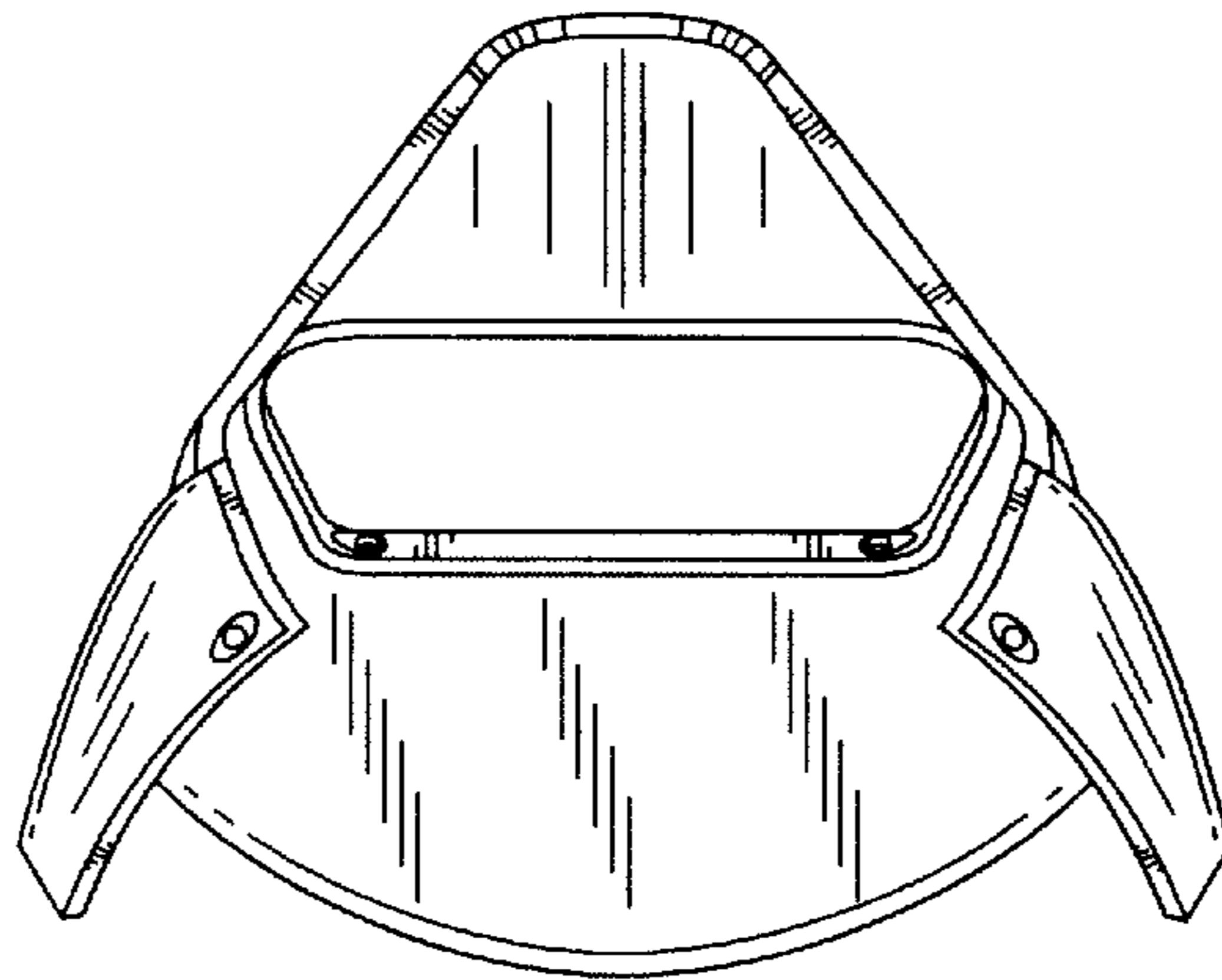
**FIG. 8**



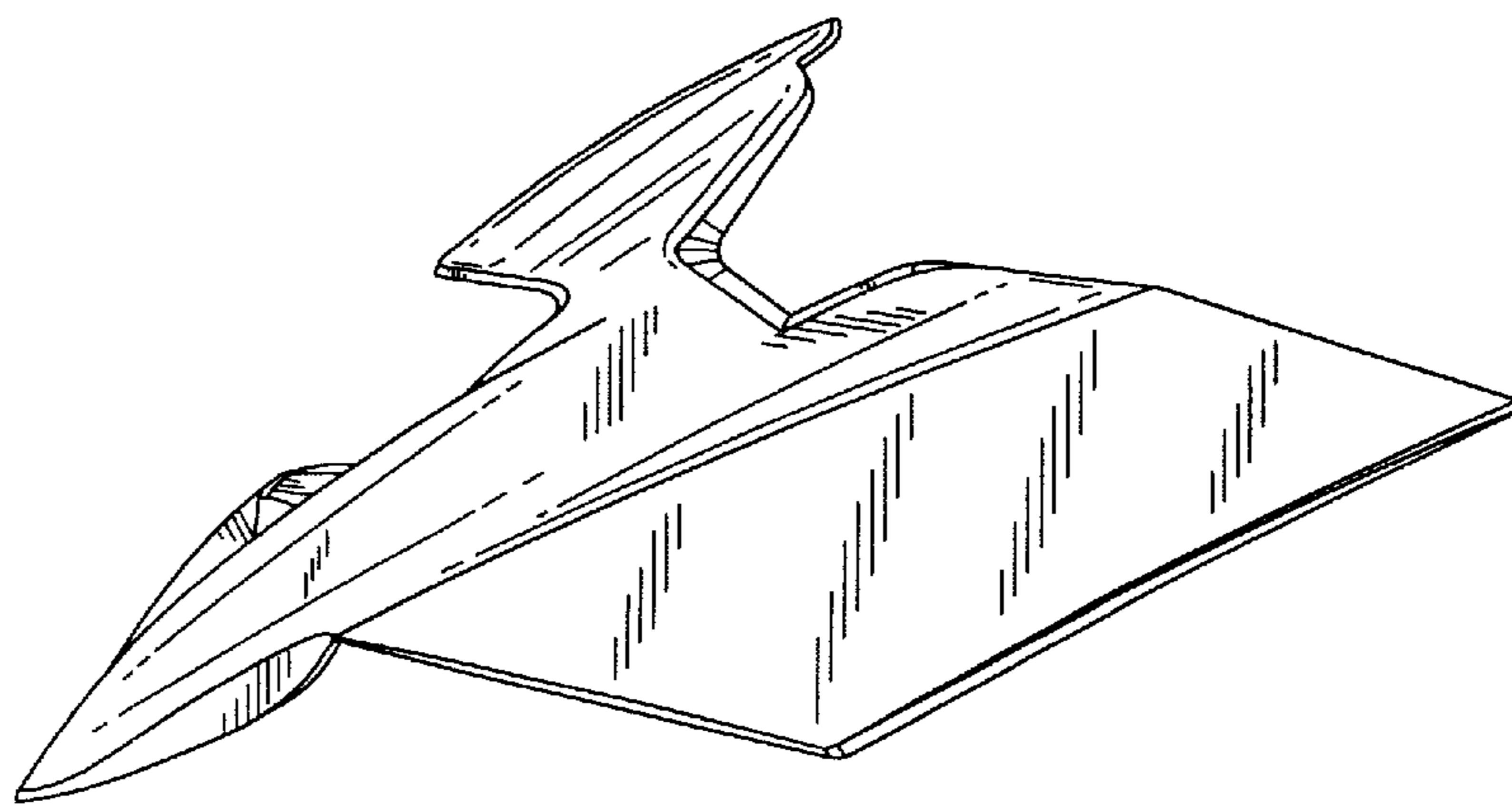
**FIG. 9**



**FIG. 10**



**FIG. 11**



**FIG. 12**