



US00D465751S

(12) **United States Design Patent**  
**Masui et al.**

(10) **Patent No.:** **US D465,751 S**

(45) **Date of Patent:** **\*\* Nov. 19, 2002**

(54) **BICYCLE**

(75) Inventors: **Takuji Masui**, Sakai (JP); **Hartmut Esslinger**, Altensteig (DE); **Nico Michler**, Baden-Württemberg (DE); **Stascha Offenbeck**, Ottobrunn Bayern (DE)

(73) Assignee: **Shimano Inc.**, Osaka (JP)

(\*\*) Term: **14 Years**

(21) Appl. No.: **29/150,163**

(22) Filed: **Nov. 9, 2001**

(51) **LOC (7) Cl.** ..... **12-11**

(52) **U.S. Cl.** ..... **D12/111**

(58) **Field of Search** ..... D12/111; 280/274, 280/275, 281.1, 283, 284, 287, 288.1-288.4

(56) **References Cited**

**U.S. PATENT DOCUMENTS**

4,856,801 A \* 8/1989 Hollingsworth ..... 280/284  
5,149,119 A \* 9/1992 Hwang ..... 280/275

D363,050 S \* 10/1995 Wang et al. .... D12/111

\* cited by examiner

*Primary Examiner*—Alan P. Douglas

*Assistant Examiner*—Linda Brooks

(74) *Attorney, Agent, or Firm*—Shinju Global IP Counselors, LLP

(57) **CLAIM**

The ornamental design for a bicycle, as shown and described.

**DESCRIPTION**

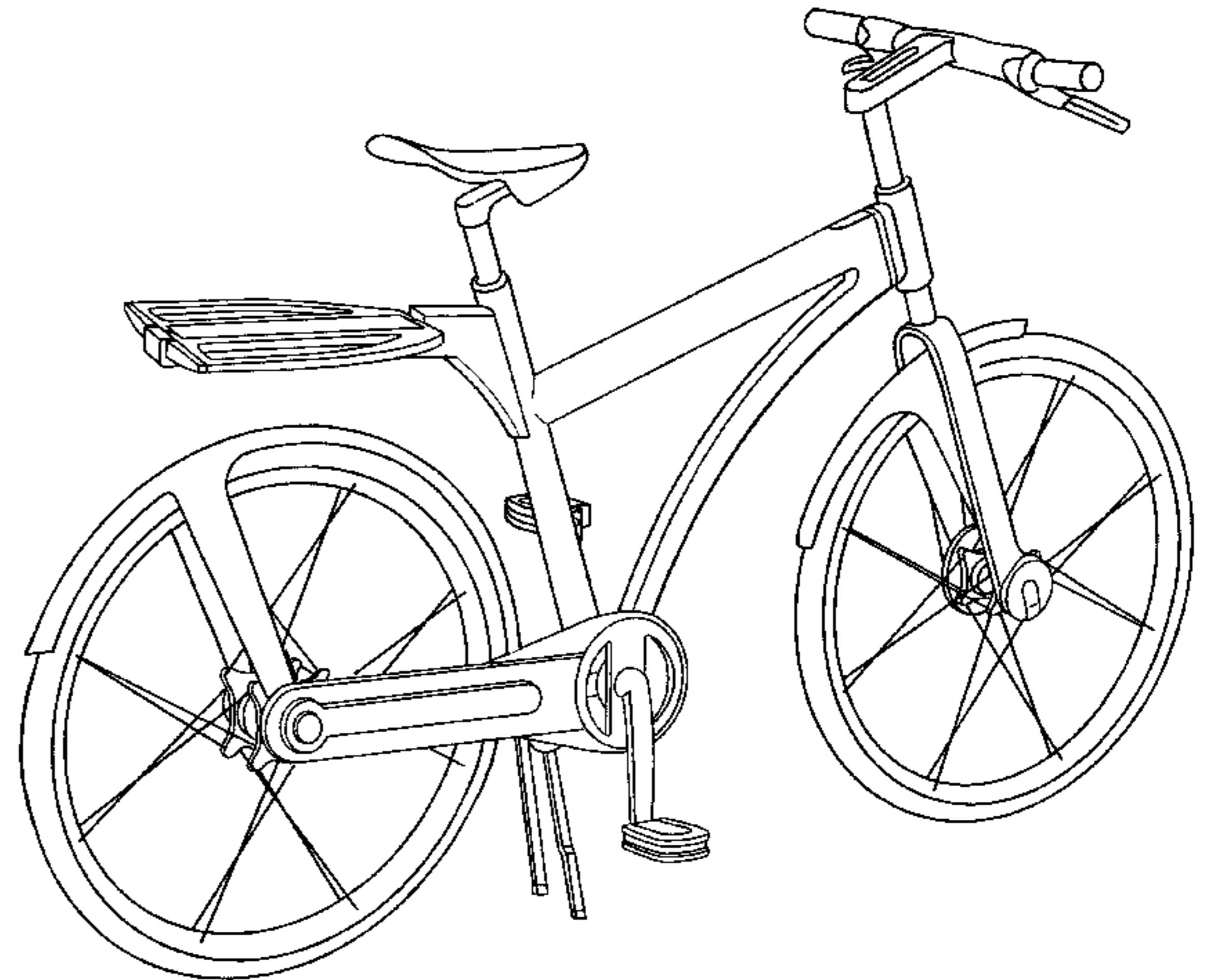
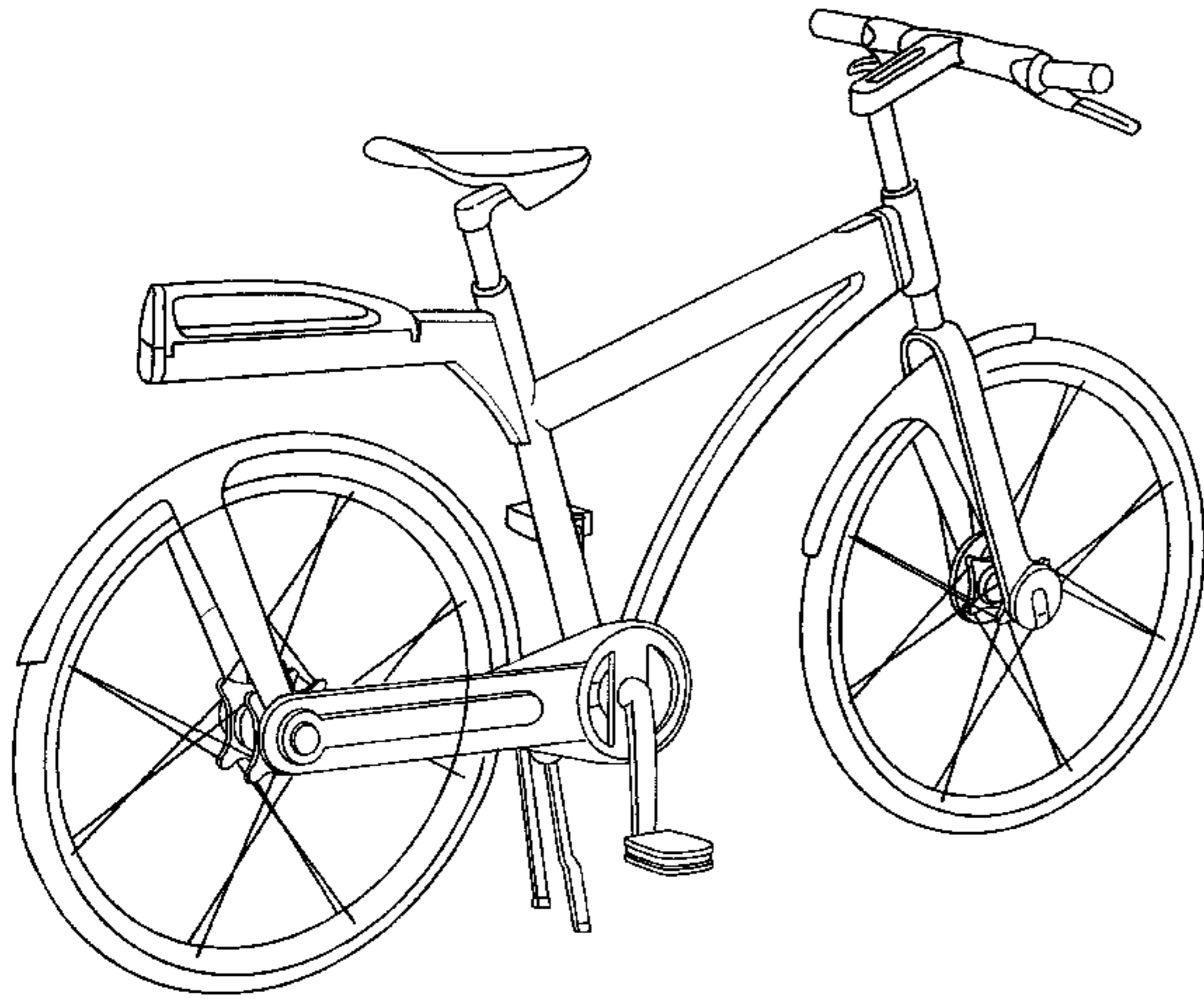
FIG. 1 is a side elevational view of a bicycle in accordance with our new design;

FIG. 2 is a rear side perspective view of the bicycle illustrated in FIG. 1 with the rear rack in a folded position; and,

FIG. 3 is a rear side perspective view of the bicycle illustrated in FIGS. 1 and 2 with a rear rack in an unfolded position.

The portions of the bicycle that cannot be seen in FIGS. 1-3 do not form a part of the claimed design.

**1 Claim, 3 Drawing Sheets**



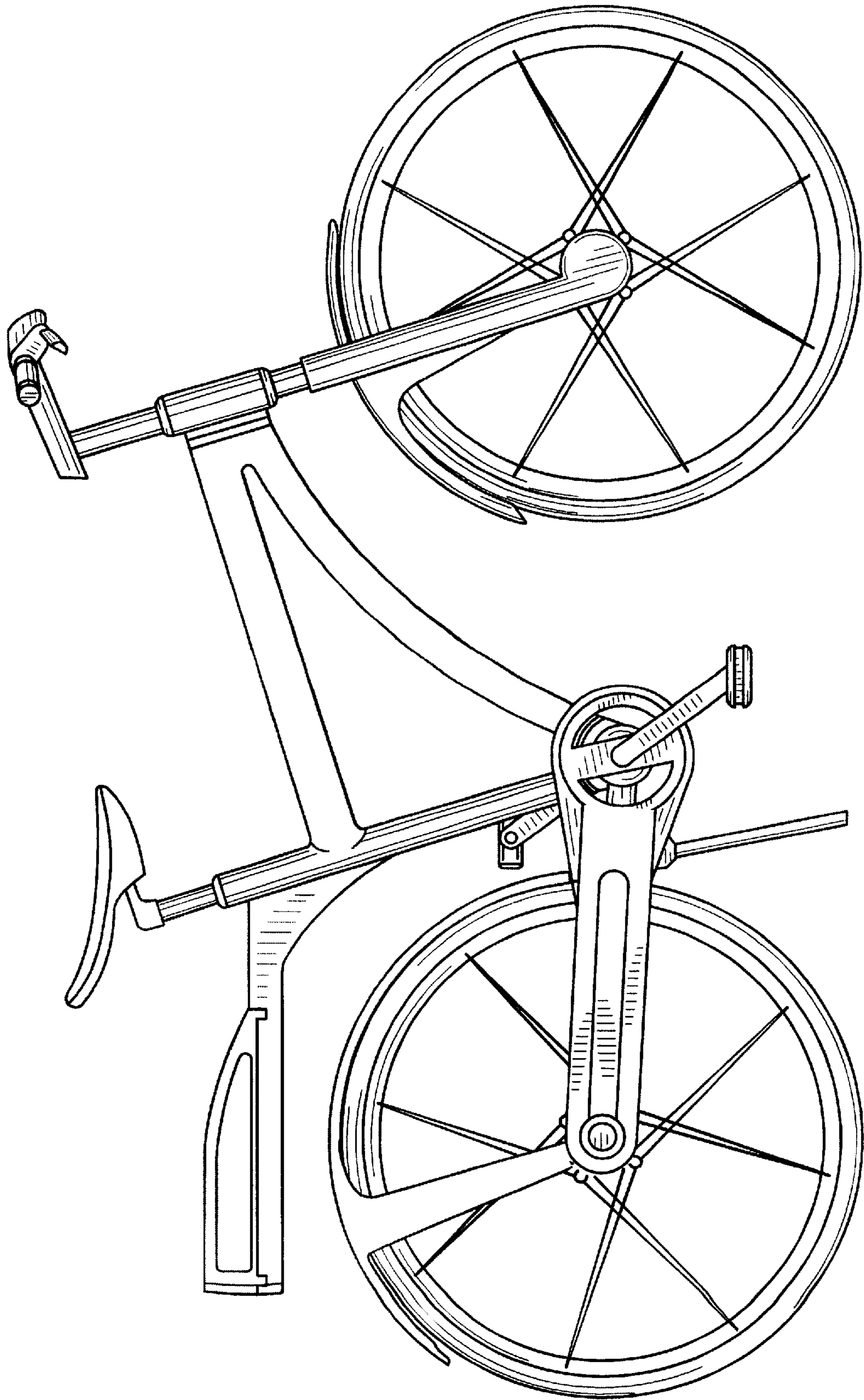


Fig. 1

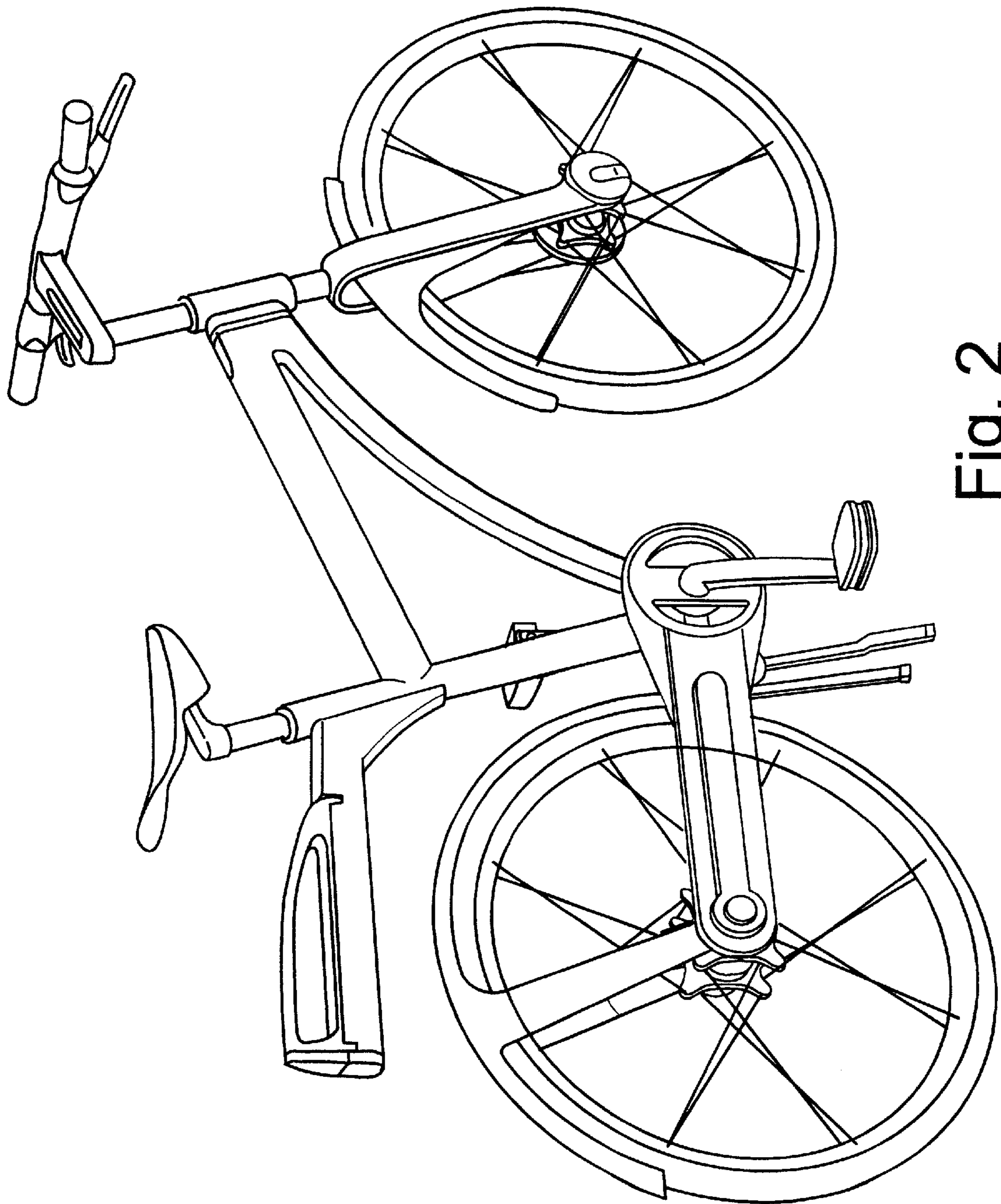


Fig. 2

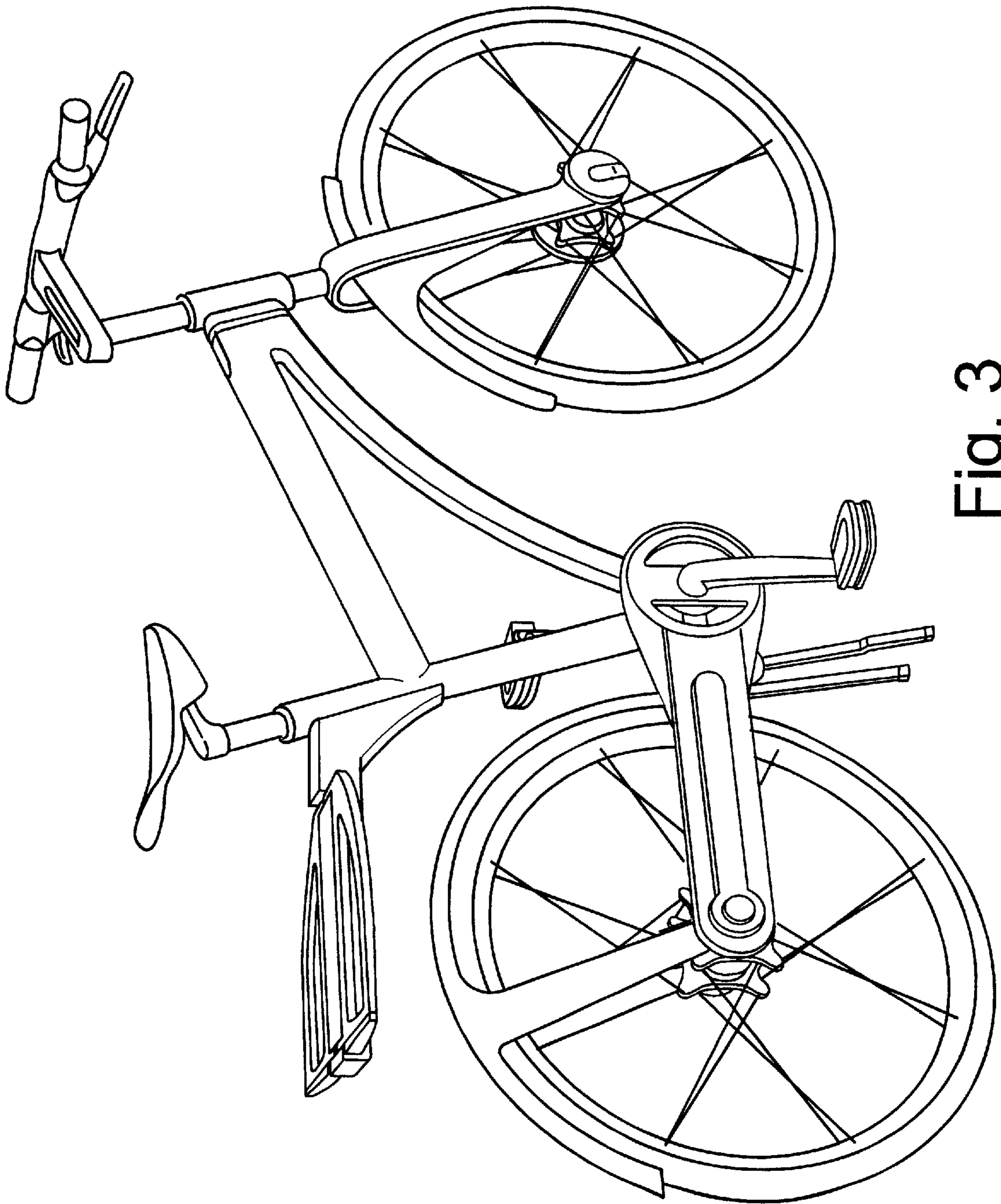


Fig. 3