



US00D465740S

(12) **United States Design Patent**
Odachowski

(10) **Patent No.:** **US D465,740 S**

(45) **Date of Patent:** **** Nov. 19, 2002**

(54) **TAPE MEASURE**

(76) Inventor: **Mark Odachowski**, 9939 Jerry Mack Rd., Suite 400, Ocean City, MD (US) 21842

(**) Term: **14 Years**

(21) Appl. No.: **29/157,048**

(22) Filed: **Mar. 13, 2002**

Related U.S. Application Data

(60) Division of application No. 29/142,570, filed on May 31, 2001, which is a continuation-in-part of application No. 09/704,324, filed on Nov. 2, 2000, which is a continuation-in-part of application No. 09/494,935, filed on Feb. 1, 2000.

(51) **LOC (7) Cl.** **10-04**

(52) **U.S. Cl.** **D10/72; D10/74**

(58) **Field of Search** **D10/72, 74; 33/755-770**

(56) **References Cited**

U.S. PATENT DOCUMENTS

1,081,673 A	12/1913	Kueffel	
1,986,551 A	1/1935	Anderson	
2,055,281 A	* 9/1936	dulczewski D10/72 X
3,036,791 A	* 5/1962	Siggelkow 33/758 X
3,120,059 A	* 2/1964	Quenot D10/72 X
3,164,907 A	1/1965	Quenot	
3,270,421 A	9/1966	Jones	
3,289,305 A	12/1966	Norton	
3,686,767 A	8/1972	Duda et al.	
3,774,309 A	11/1973	Leopoldi	
3,908,277 A	9/1975	Rutty	
4,153,996 A	5/1979	Rutty	
4,194,703 A	3/1980	Roe	
4,352,244 A	10/1982	Tomuro	
4,439,927 A	4/1984	Elliott	
4,462,160 A	7/1984	Cohen et al.	

4,603,481 A	8/1986	Cohen et al.	
4,630,376 A	* 12/1986	Pentecost 33/760
4,696,110 A	9/1987	Walker et al.	
4,748,746 A	6/1988	Jacoff	
4,938,430 A	7/1990	Chapin	
5,210,956 A	5/1993	Knispel	
5,245,761 A	9/1993	Waldherr	
D360,838 S	* 8/1995	Lin D10/72
5,531,395 A	* 7/1996	Hsu 33/767
5,657,551 A	8/1997	Lin	
5,718,056 A	2/1998	Miyasaka et al.	
5,806,202 A	* 9/1998	Blackman et al. 33/767
5,894,677 A	4/1999	Hoffman	
5,913,586 A	6/1999	Marshall	
5,983,514 A	11/1999	Lindsey	
D423,959 S	* 5/2000	Taylor D10/72
6,131,844 A	* 10/2000	Hsu 33/761 X
D443,215 S	* 6/2001	Croya et al. D10/72

* cited by examiner

Primary Examiner—Antoine Duval Davis
(74) *Attorney, Agent, or Firm*—Oblon, Spivak, McClelland, Maier & Neustadt, P.C.

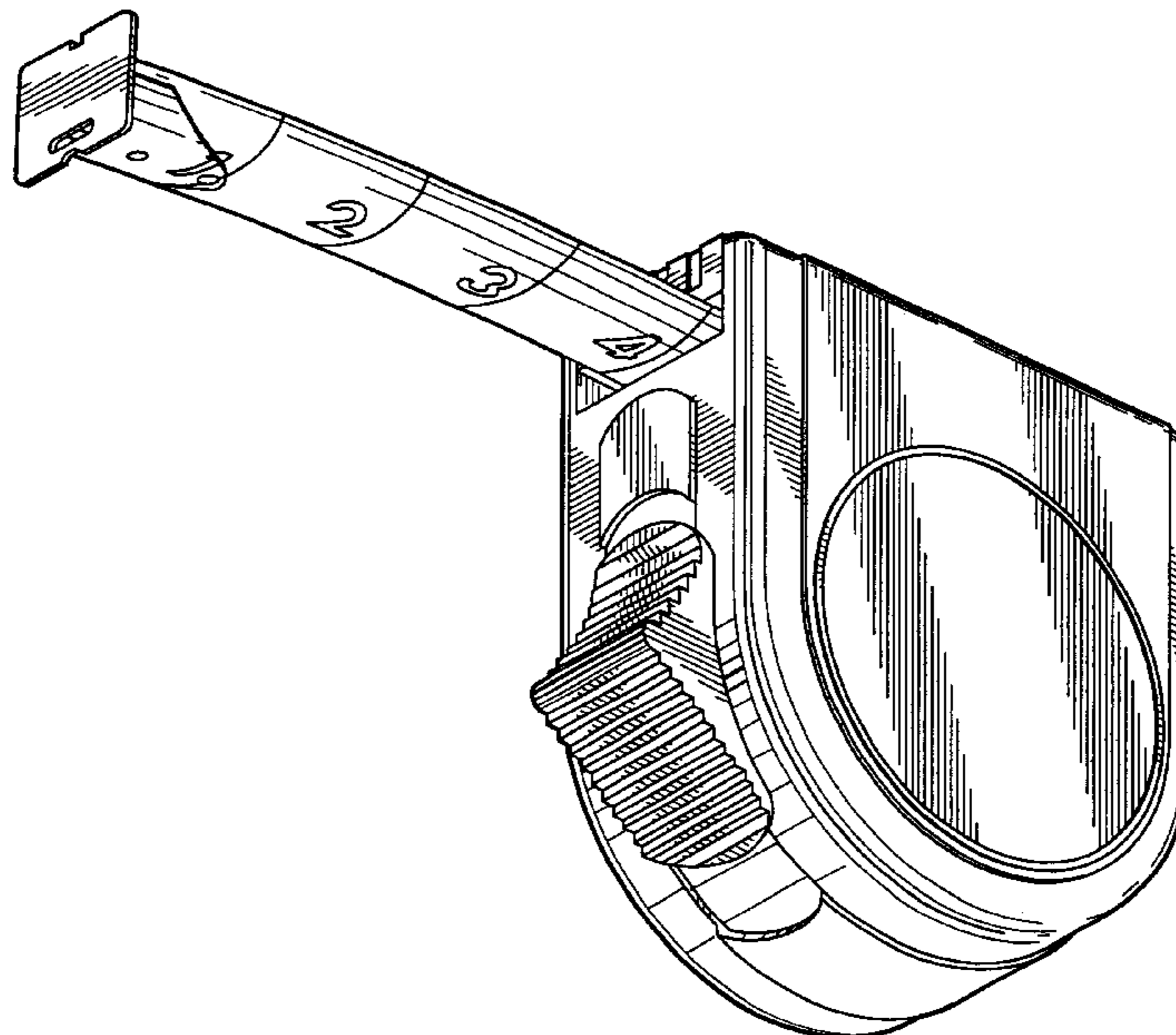
(57) **CLAIM**

The ornamental design for a tape measure, as shown and described.

DESCRIPTION

FIG. 1 is a bottom, front and left side perspective view of a second embodiment of the tape measure showing my design; FIG. 2 is a front elevational view thereof; FIG. 3 is a rear elevational view thereof; FIG. 4 is a left side elevational view thereof; FIG. 5 is a right side elevational view thereof; FIG. 6 is a bottom plan view thereof; and, FIG. 7 is a top plan view thereof.

1 Claim, 5 Drawing Sheets



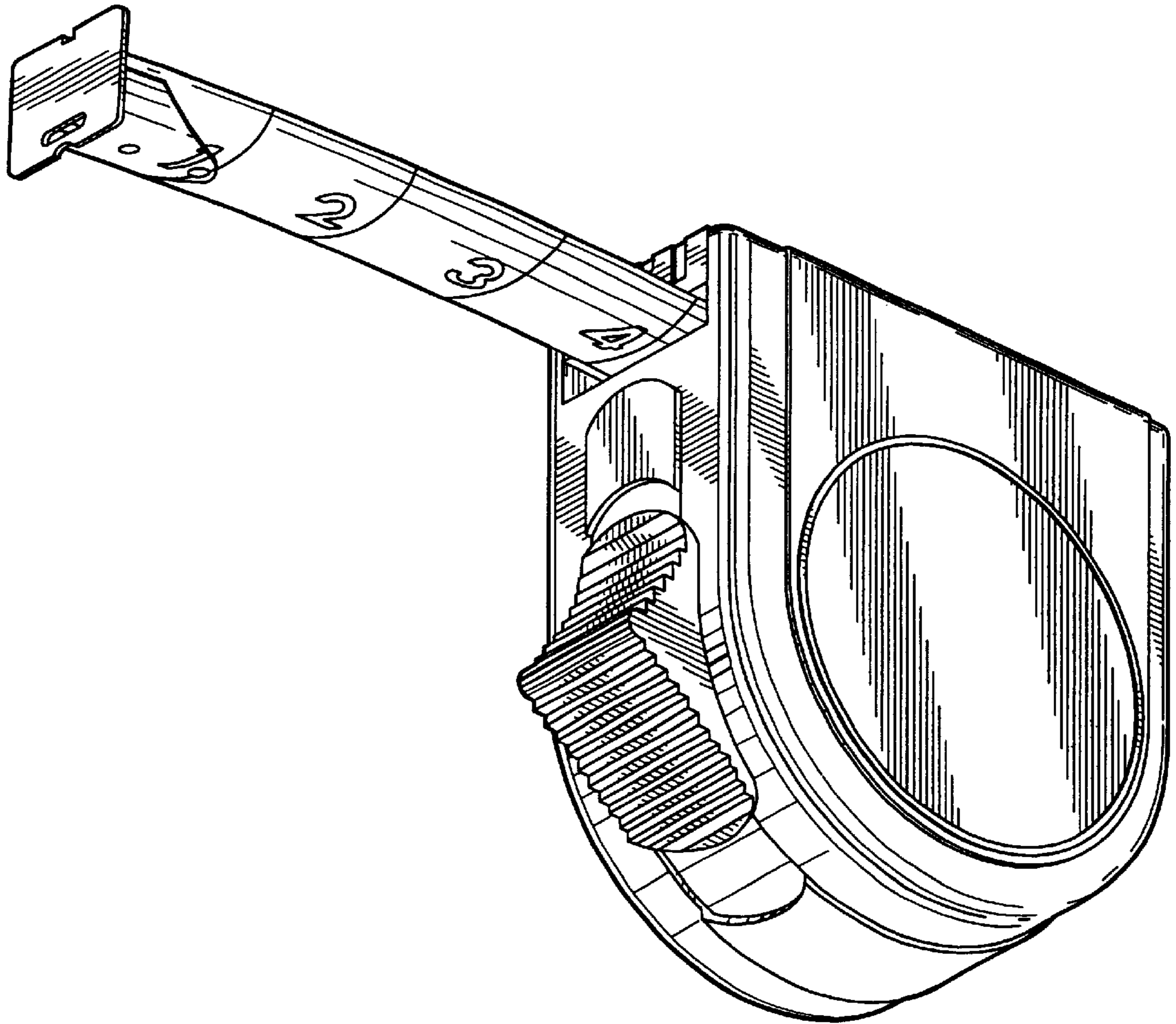


FIG. 1

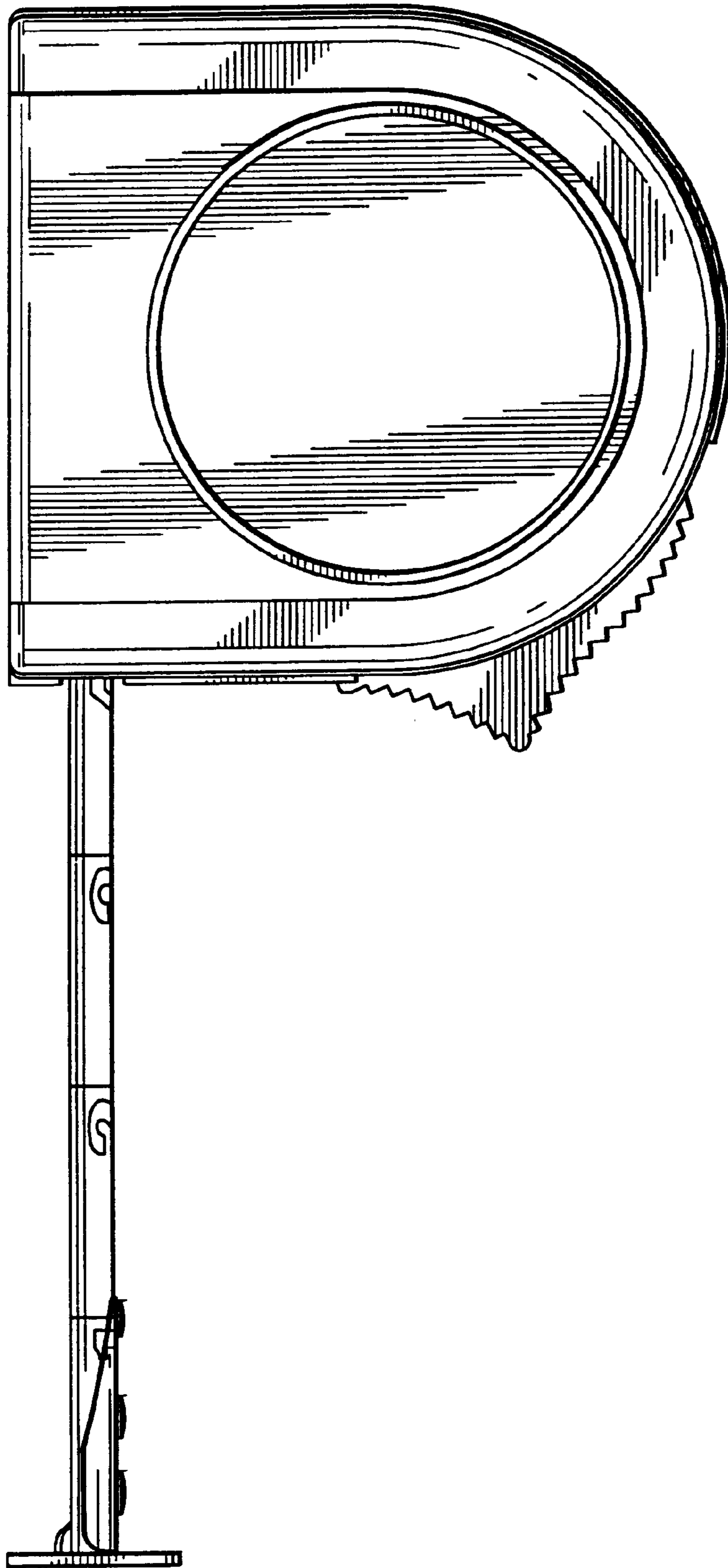


FIG.2

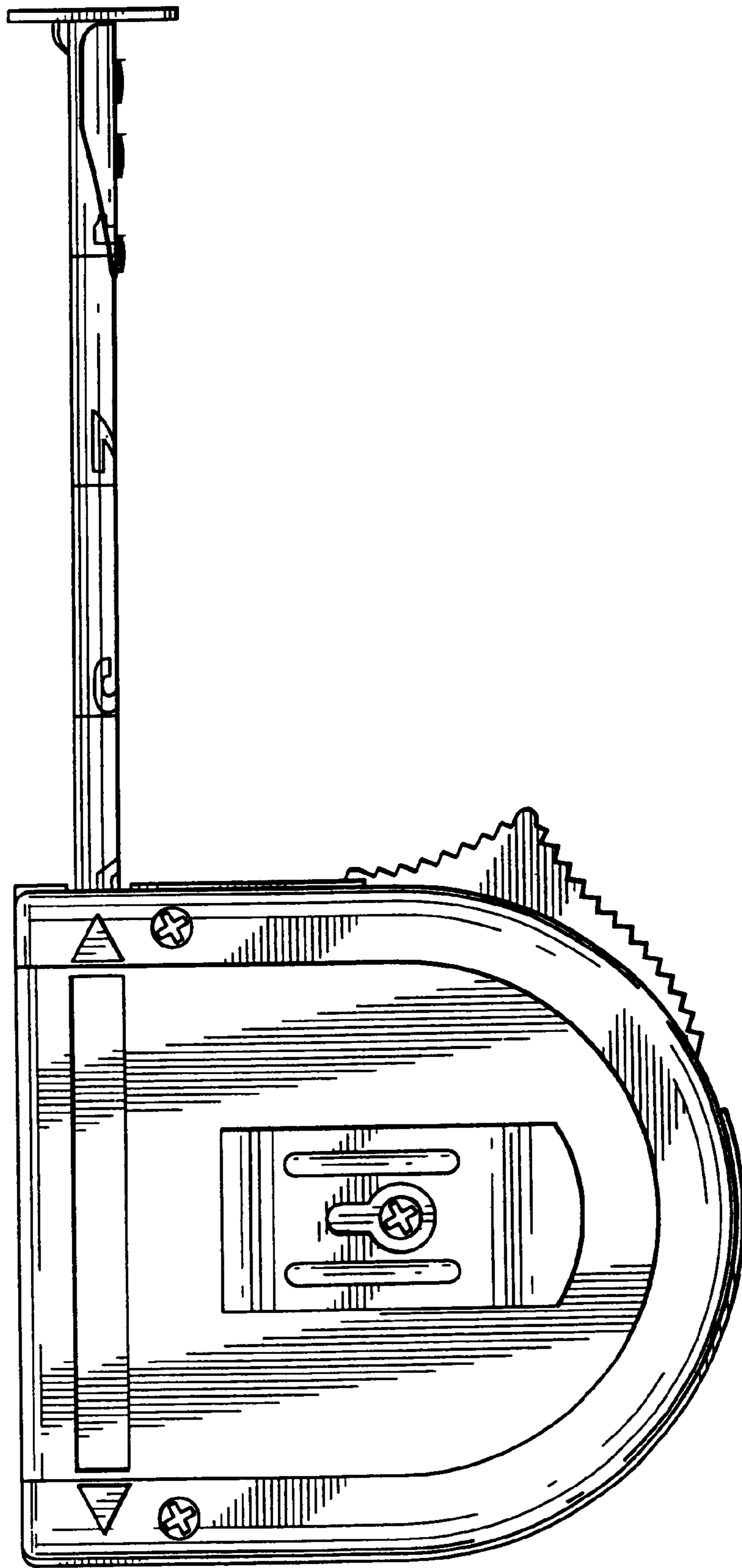


FIG. 3

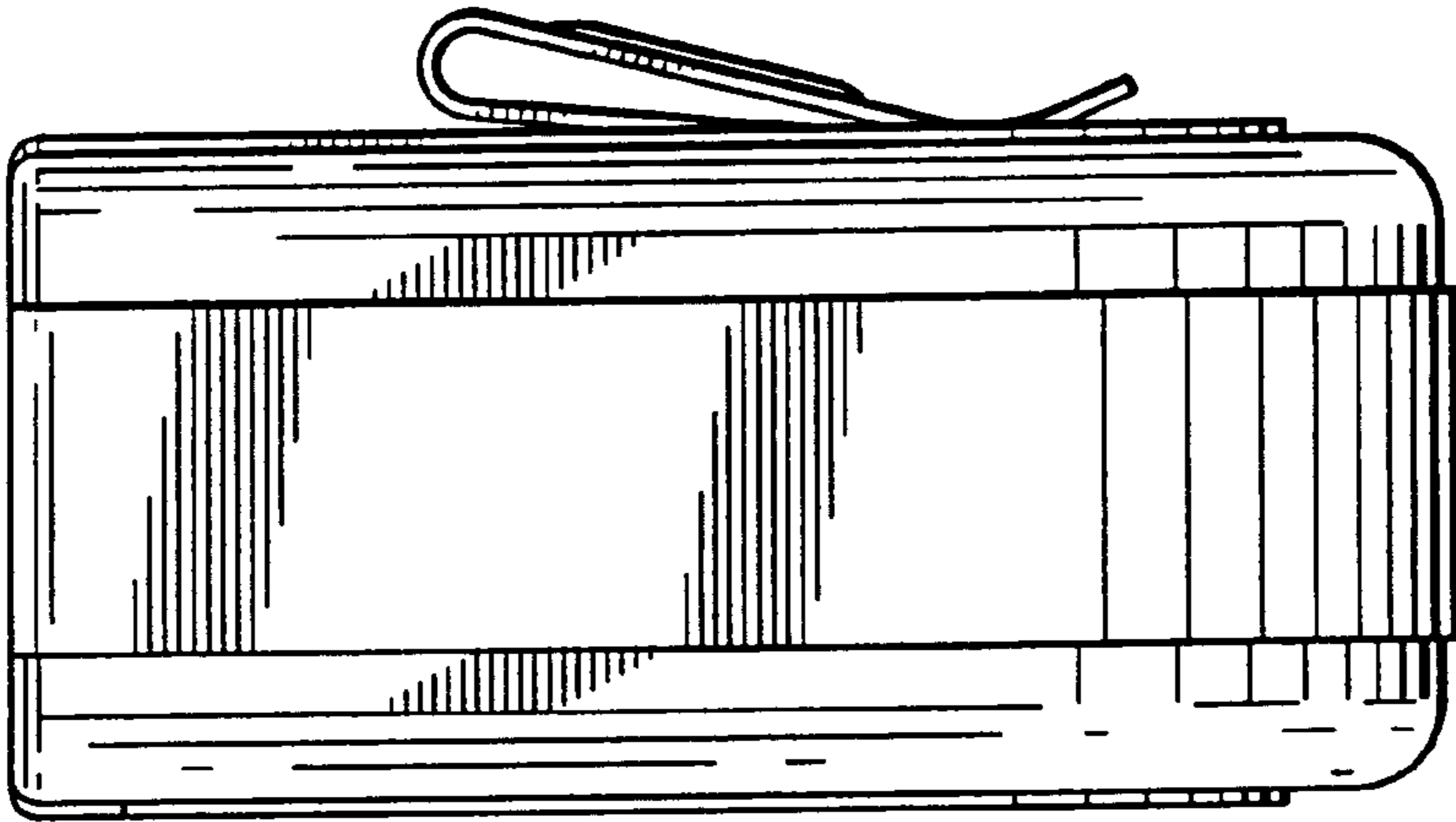


FIG. 5

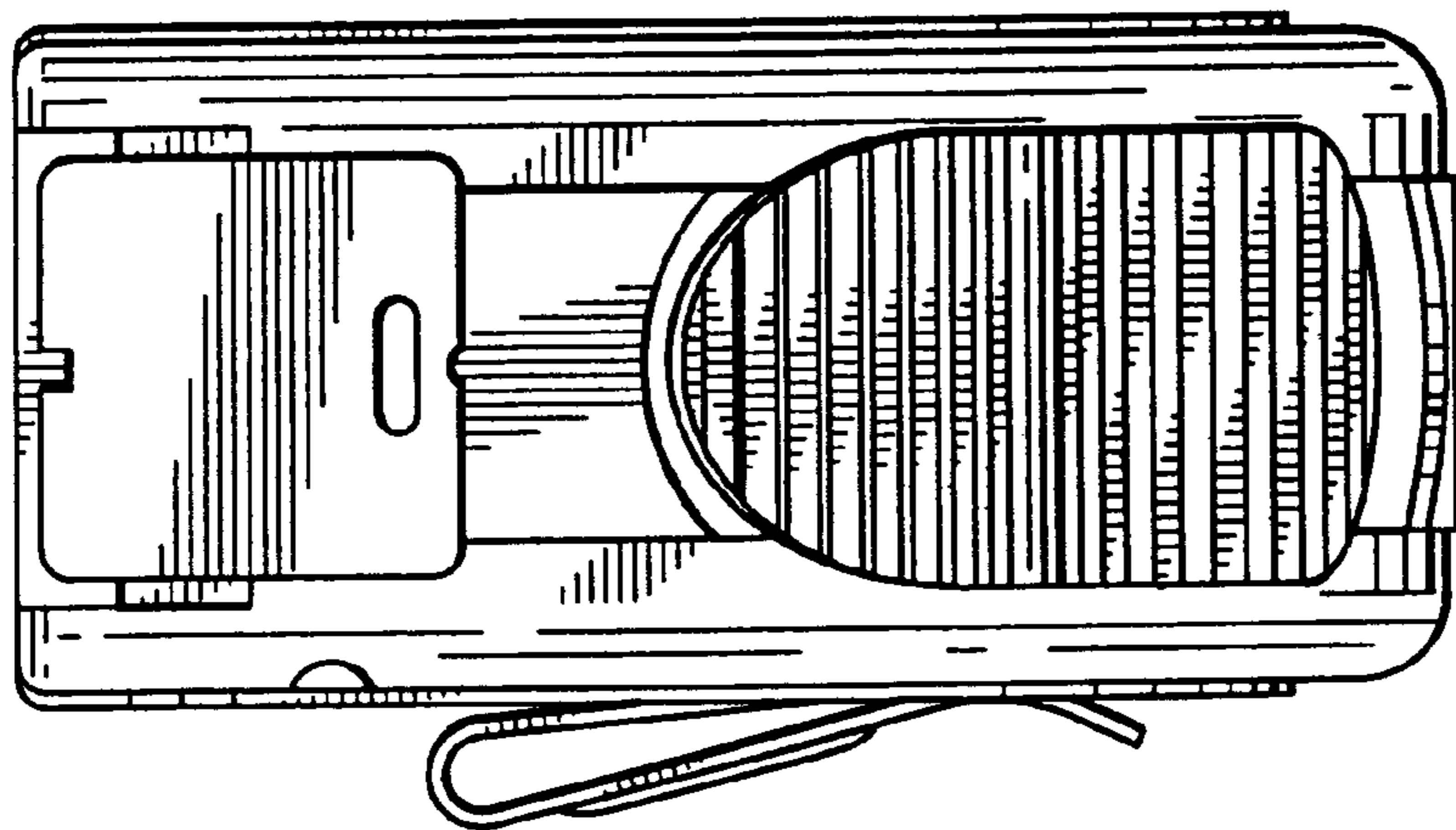


FIG. 4

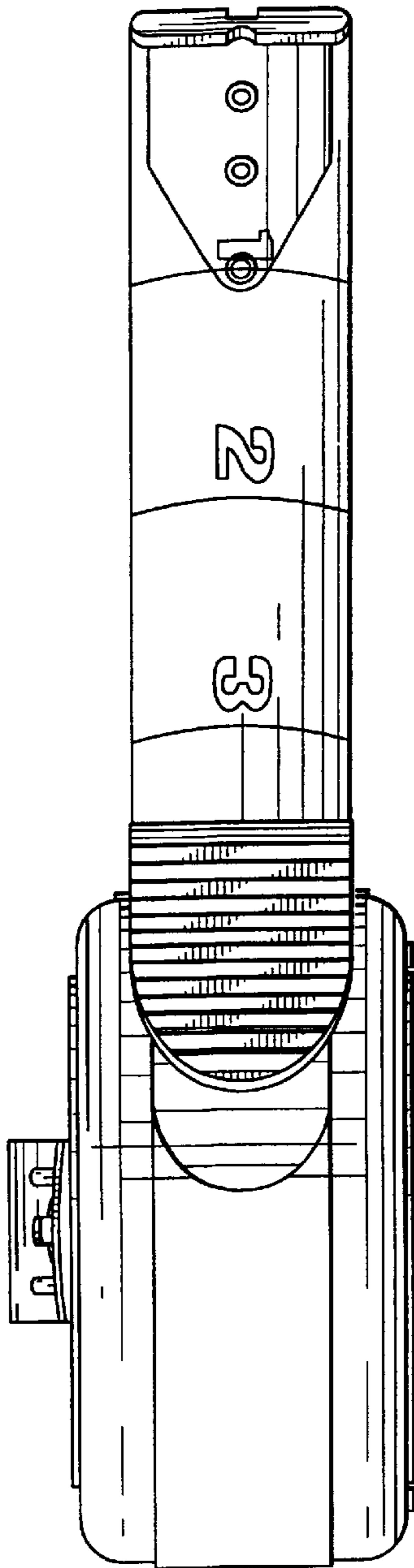


FIG. 6

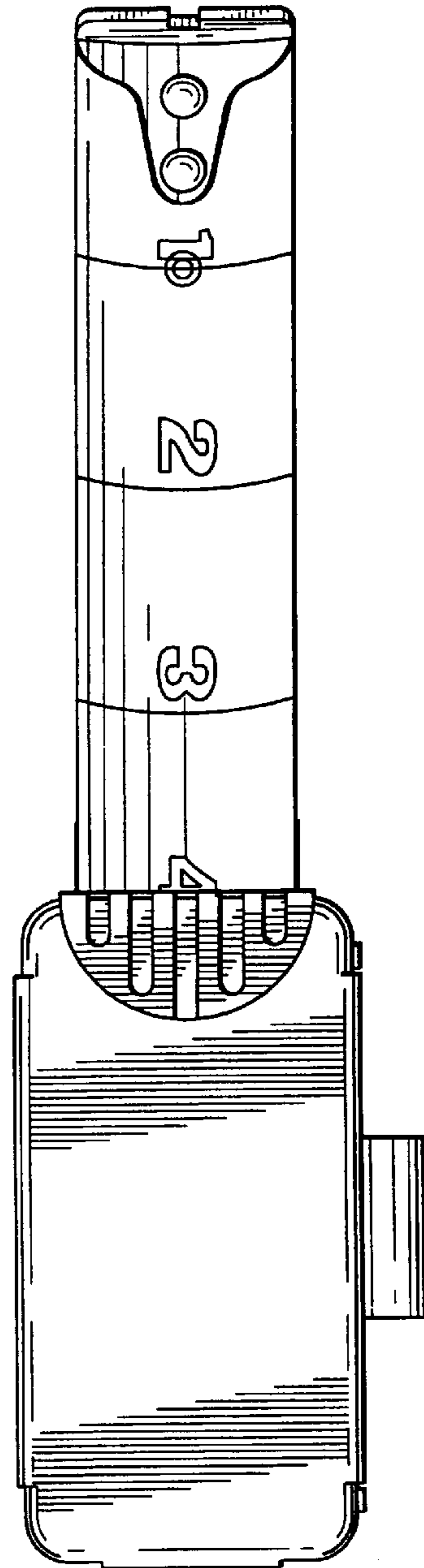


FIG. 7