



US00D465737S

(12) **United States Design Patent**
Bowie

(10) **Patent No.:** **US D465,737 S**

(45) **Date of Patent:** **** Nov. 19, 2002**

(54) **DESK CLOCK CASE**

(76) **Inventor:** **Thomas S. Bowie**, 5003 Windermere Dr., Greensboro, NC (US) 27407

(**) **Term:** **14 Years**

(21) **Appl. No.:** **29/159,678**

(22) **Filed:** **Apr. 26, 2002**

(51) **LOC (7) Cl.** **10-01**

(52) **U.S. Cl.** **D10/6**

(58) **Field of Search** D10/1-40, 122-132; D15/5; 74/579 E; 368/276-277, 285, 316-317

(56) **References Cited**

U.S. PATENT DOCUMENTS

1,746,491 A	*	2/1930	Morgan	74/579 E
D138,136 S	*	6/1944	Britton	D15/5
D145,757 S	*	10/1946	Simons	D10/6
2,846,897 A	*	8/1958	Schall	74/579 E
D249,650 S	*	9/1978	Schoenfeld	D10/6

5,036,727 A * 8/1991 Engel 74/579 E

D370,852 S * 6/1996 Jacoby D10/6

D373,773 S * 9/1996 Hund, Jr. D15/5

D449,540 S * 10/2001 Hughes D10/6

* cited by examiner

Primary Examiner—Nelson C. Holtje

(57) **CLAIM**

The ornamental design for a desk clock case, as shown.

DESCRIPTION

FIG. 1 is a front, left side, top perspective view a desk clock case showing my new design;

FIG. 2 is a rear, left side, top perspective view thereof;

FIG. 3 is a front elevational view thereof;

FIG. 4 is a rear elevational view thereof;

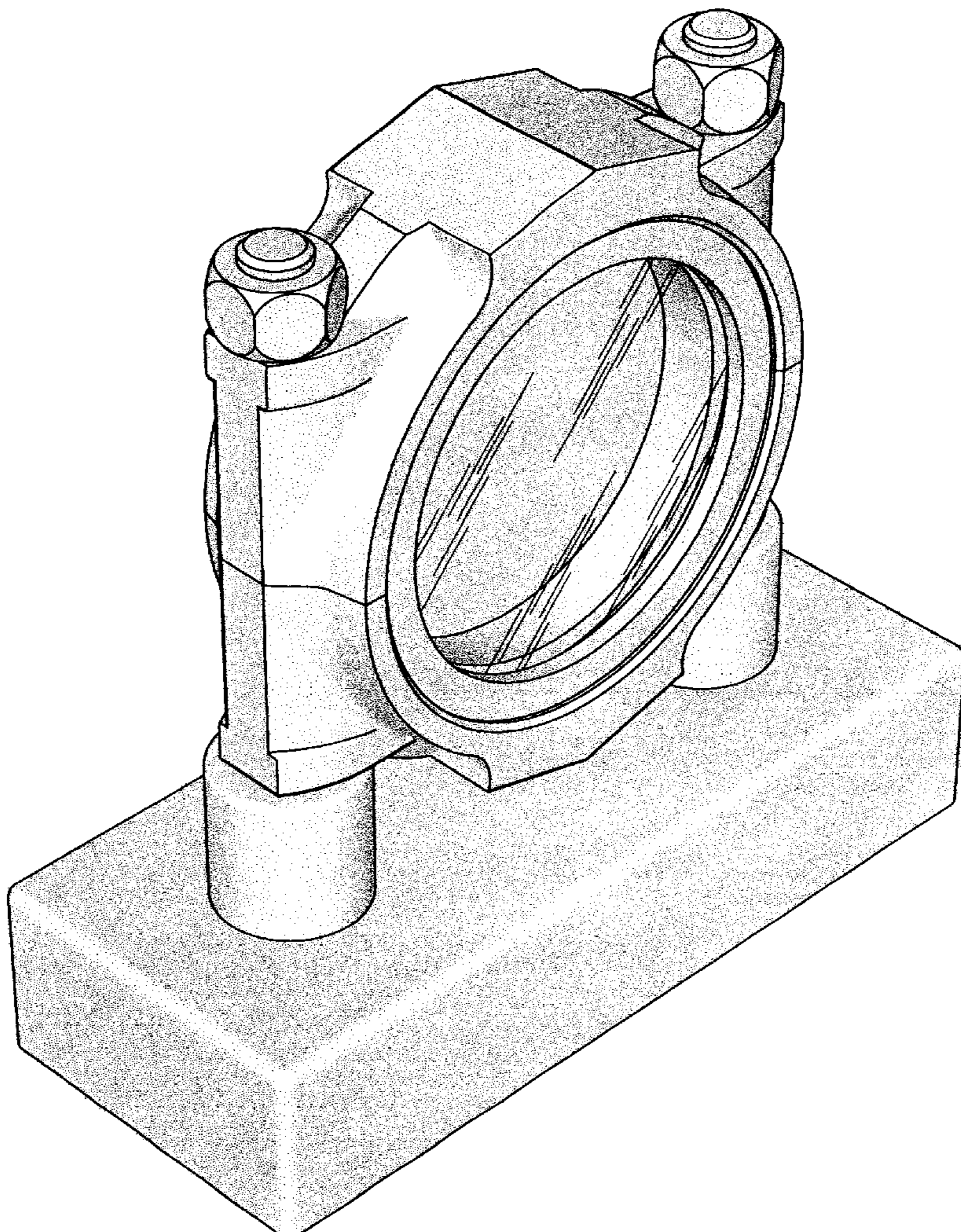
FIG. 5 is a left side elevational view thereof;

FIG. 6 is a right side elevational view thereof;

FIG. 7 is a top plan view thereof; and,

FIG. 8 is a bottom plan view thereof.

1 Claim, 6 Drawing Sheets



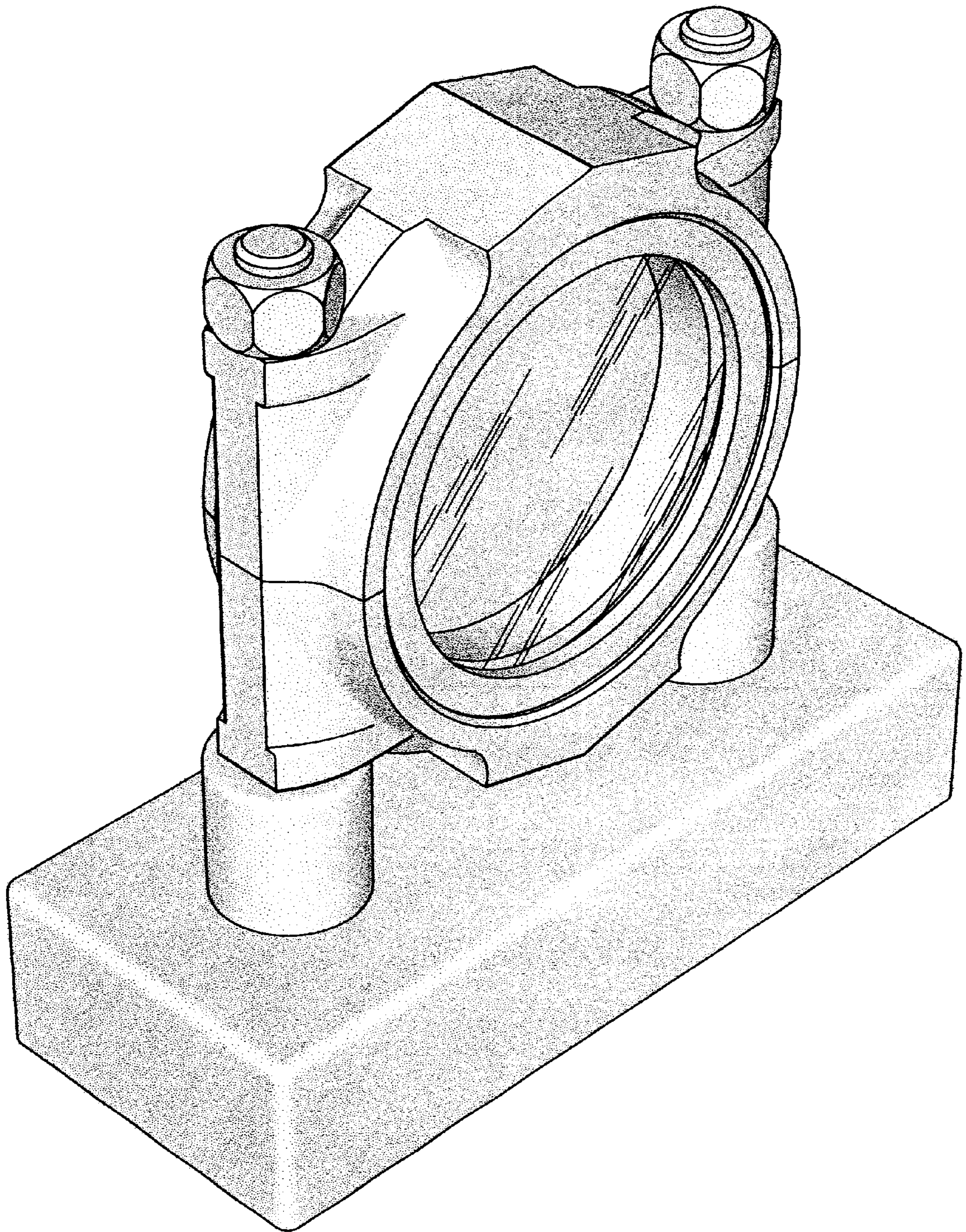


Fig. 1

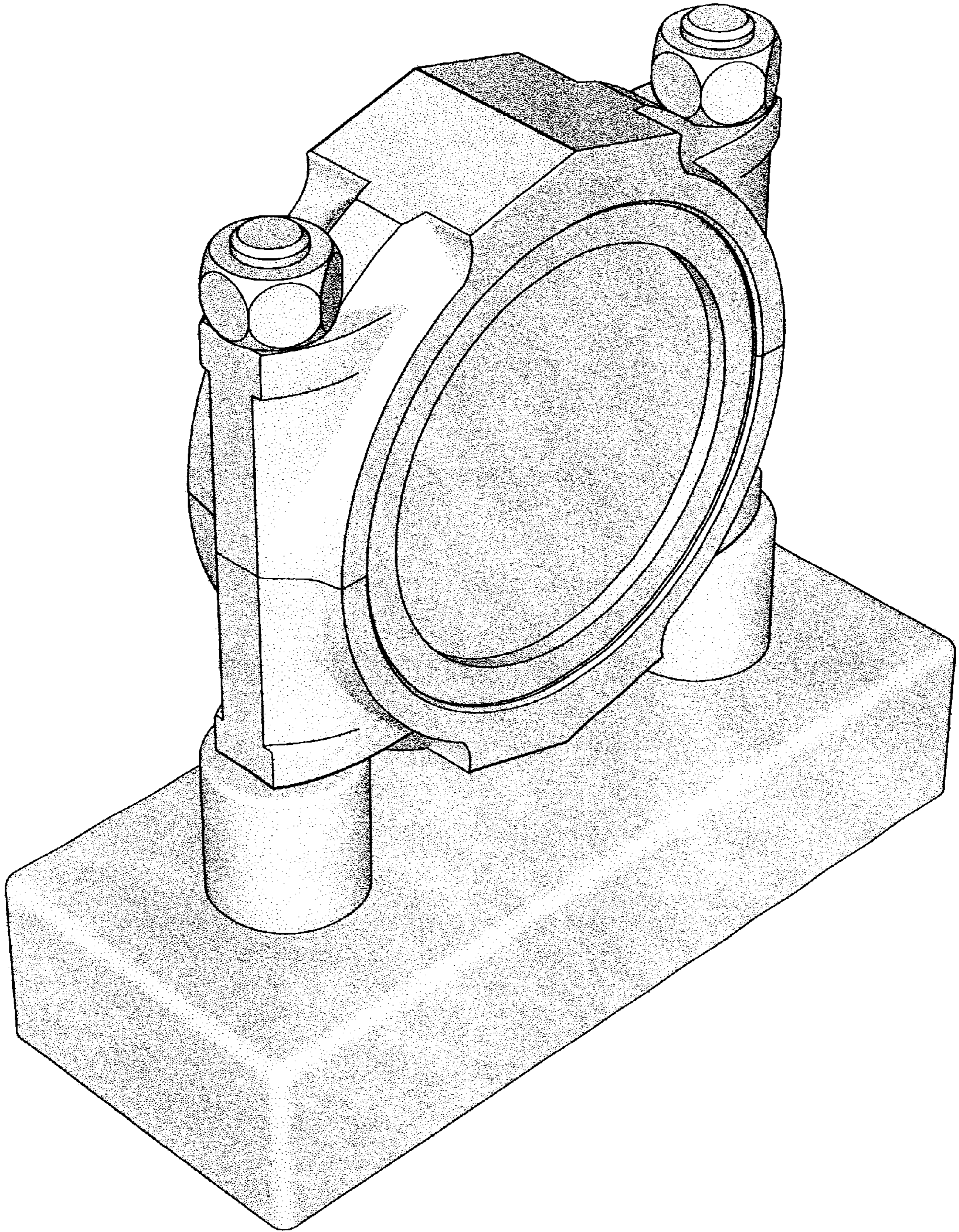


Fig. 2

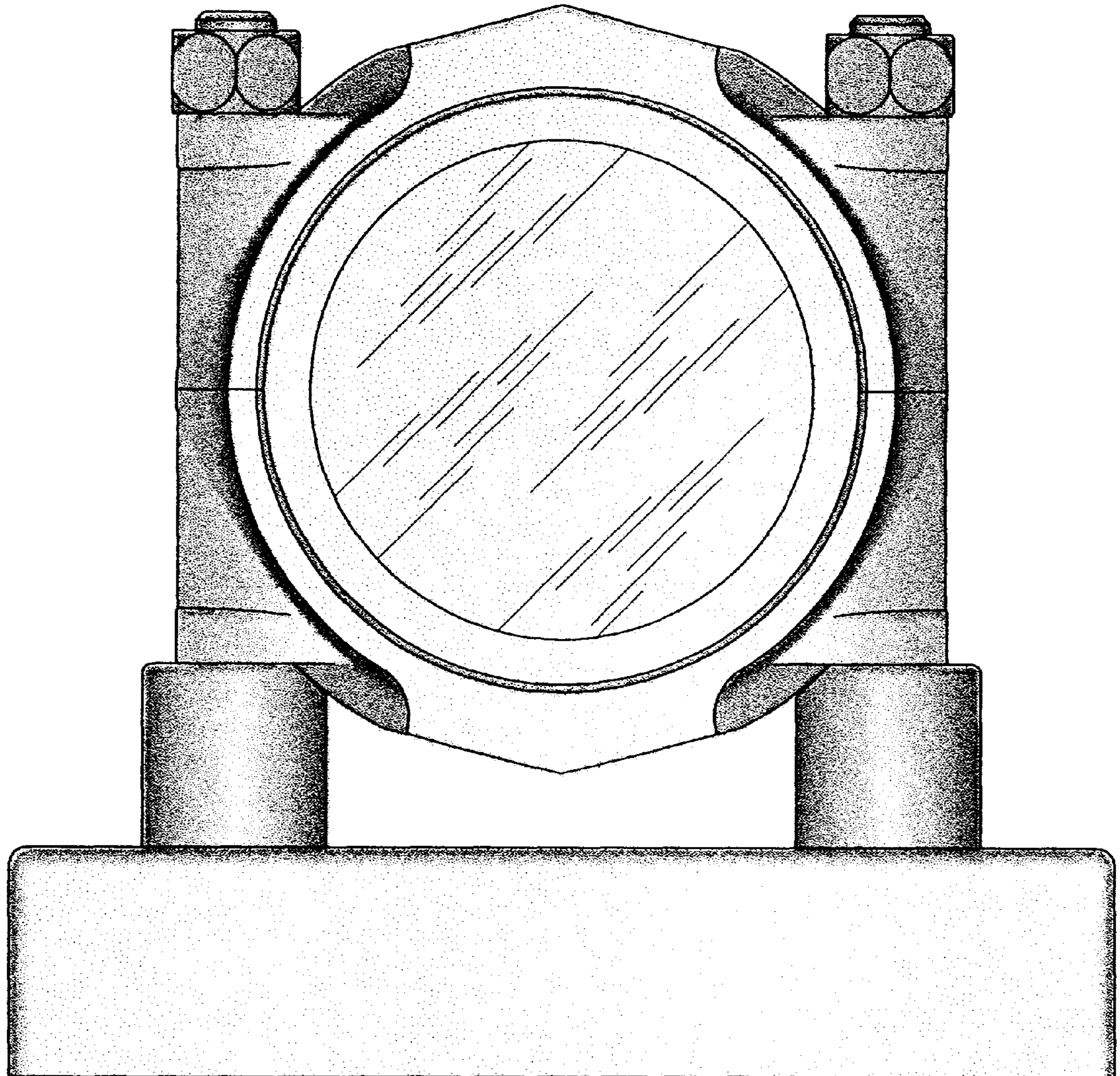


Fig. 3

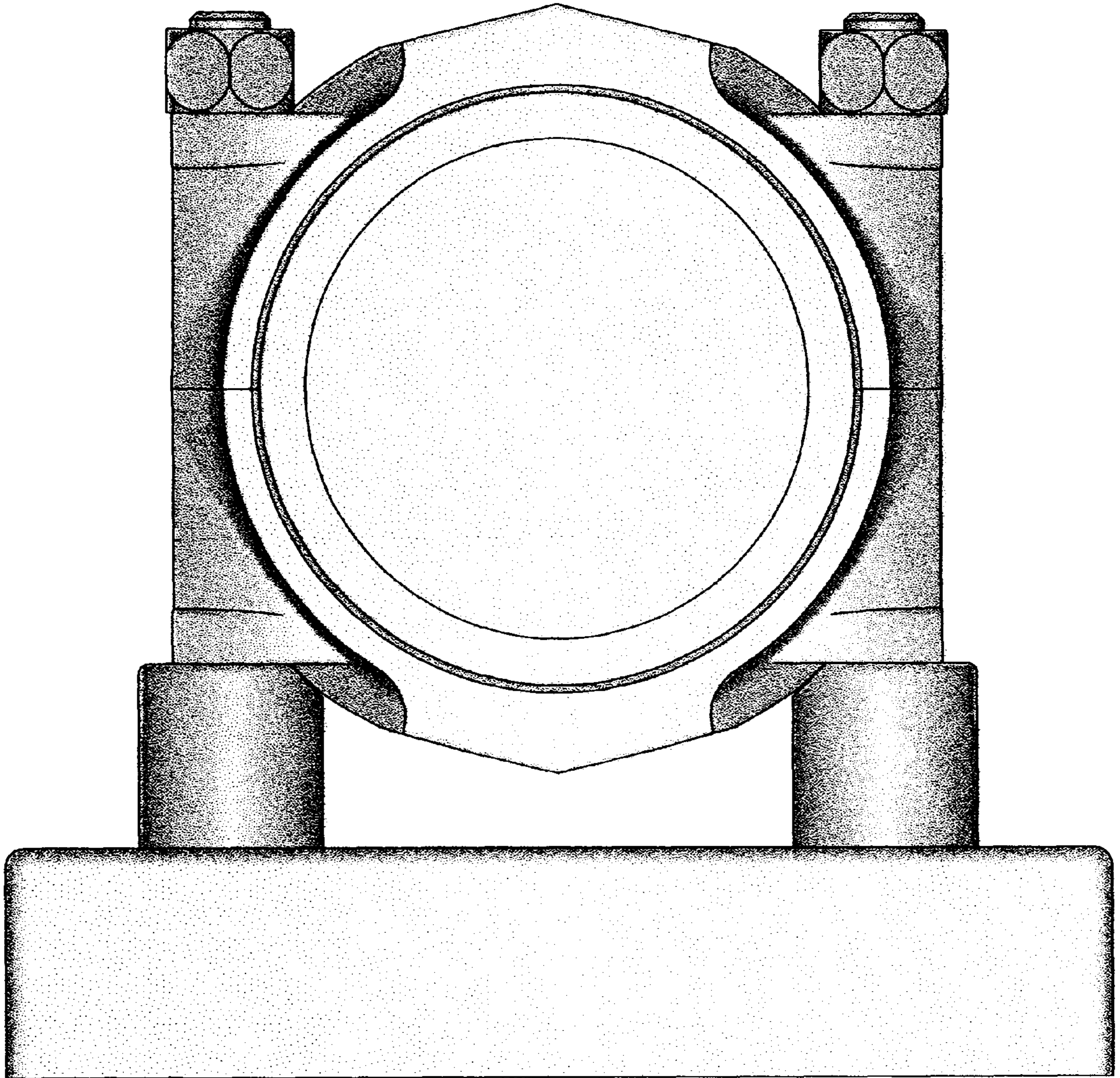


Fig. 4

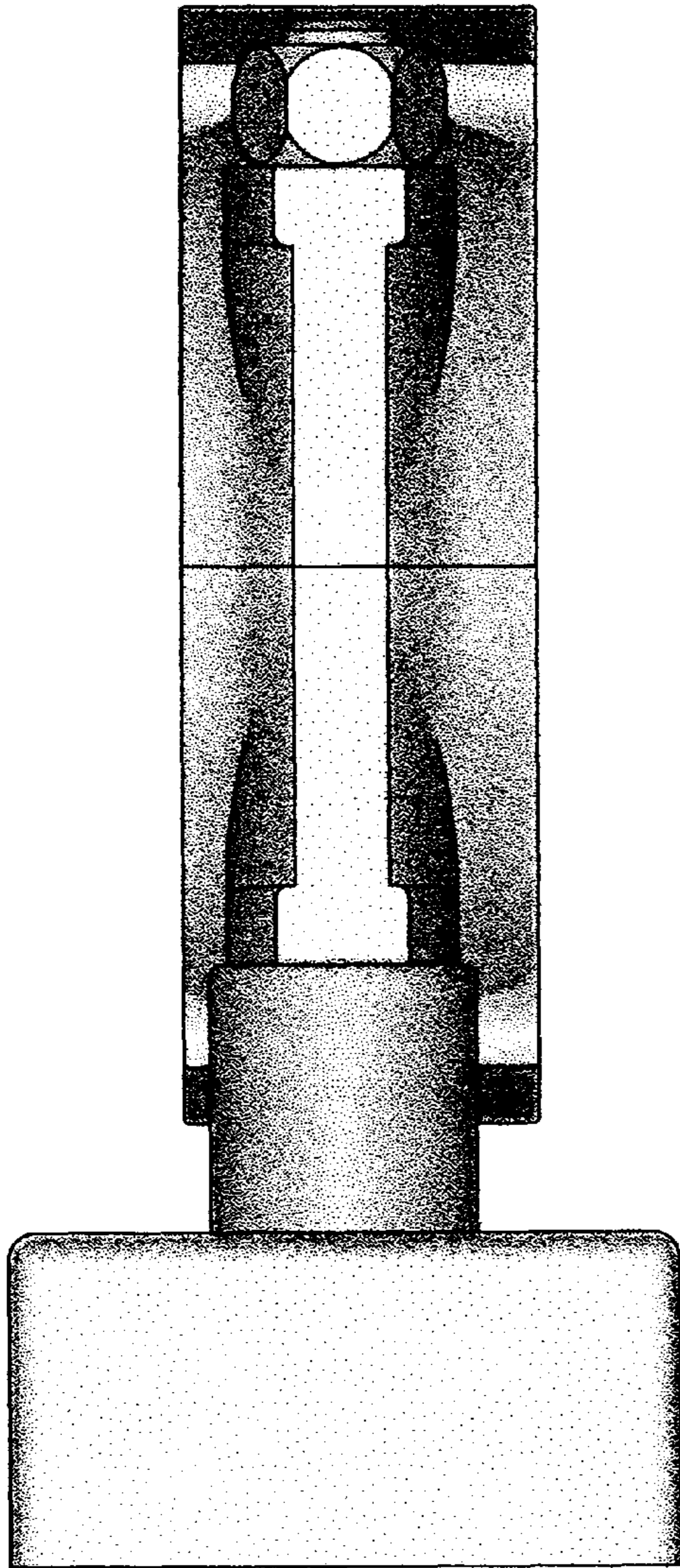


Fig. 5

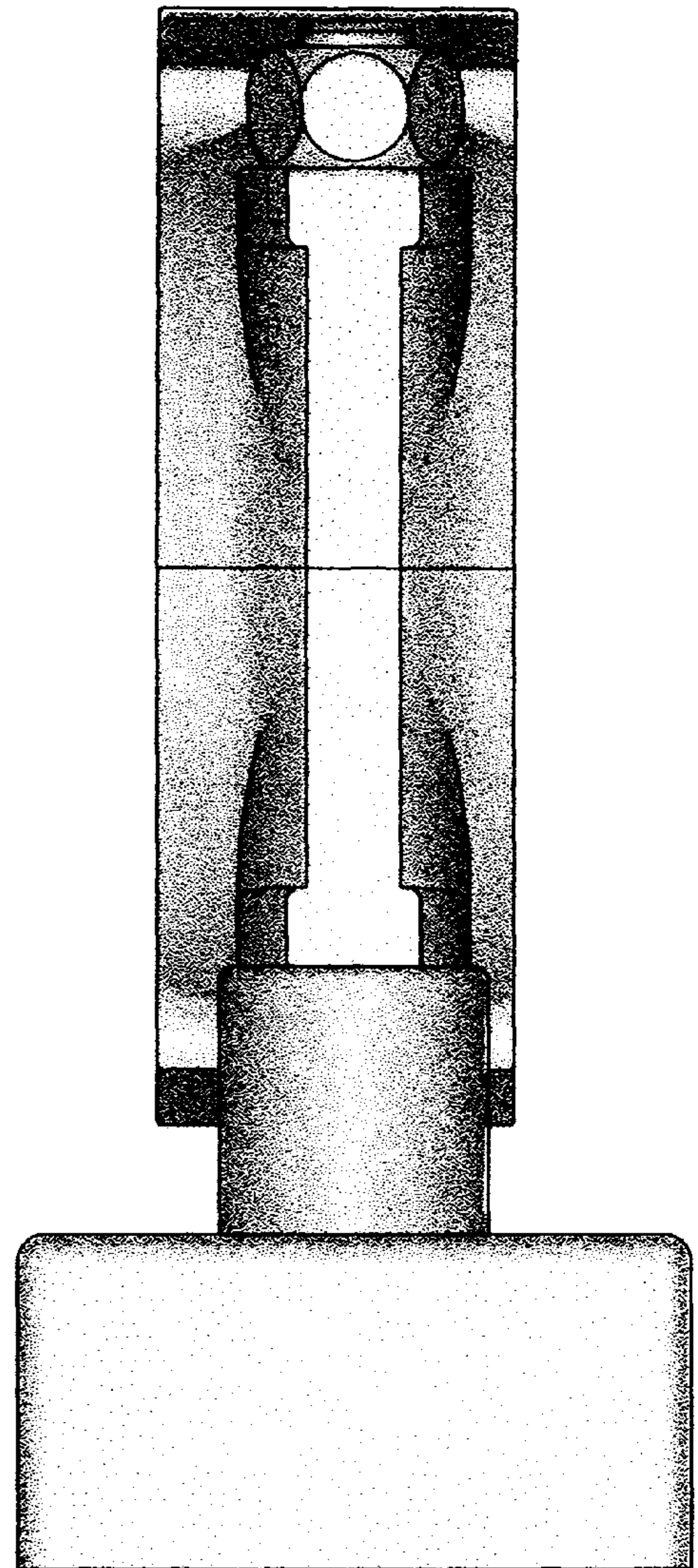


Fig. 6

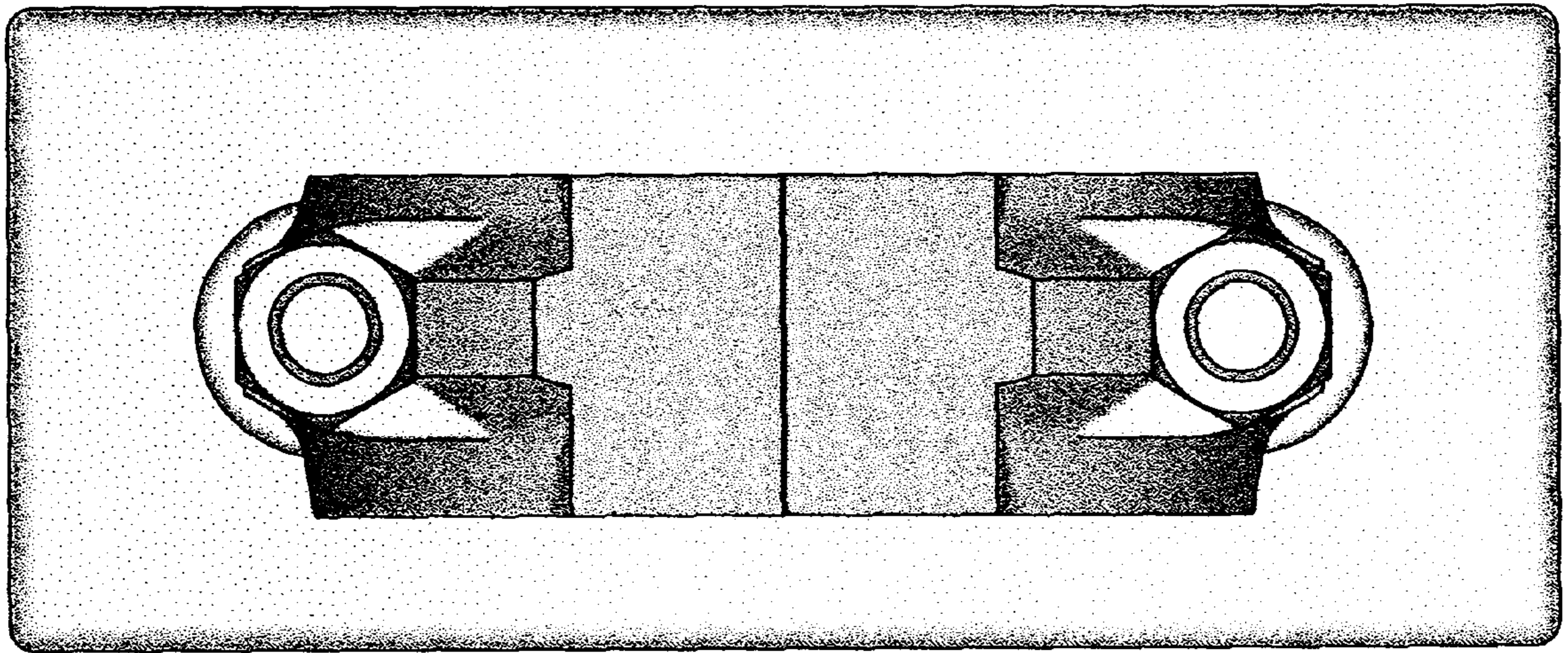


Fig. 7

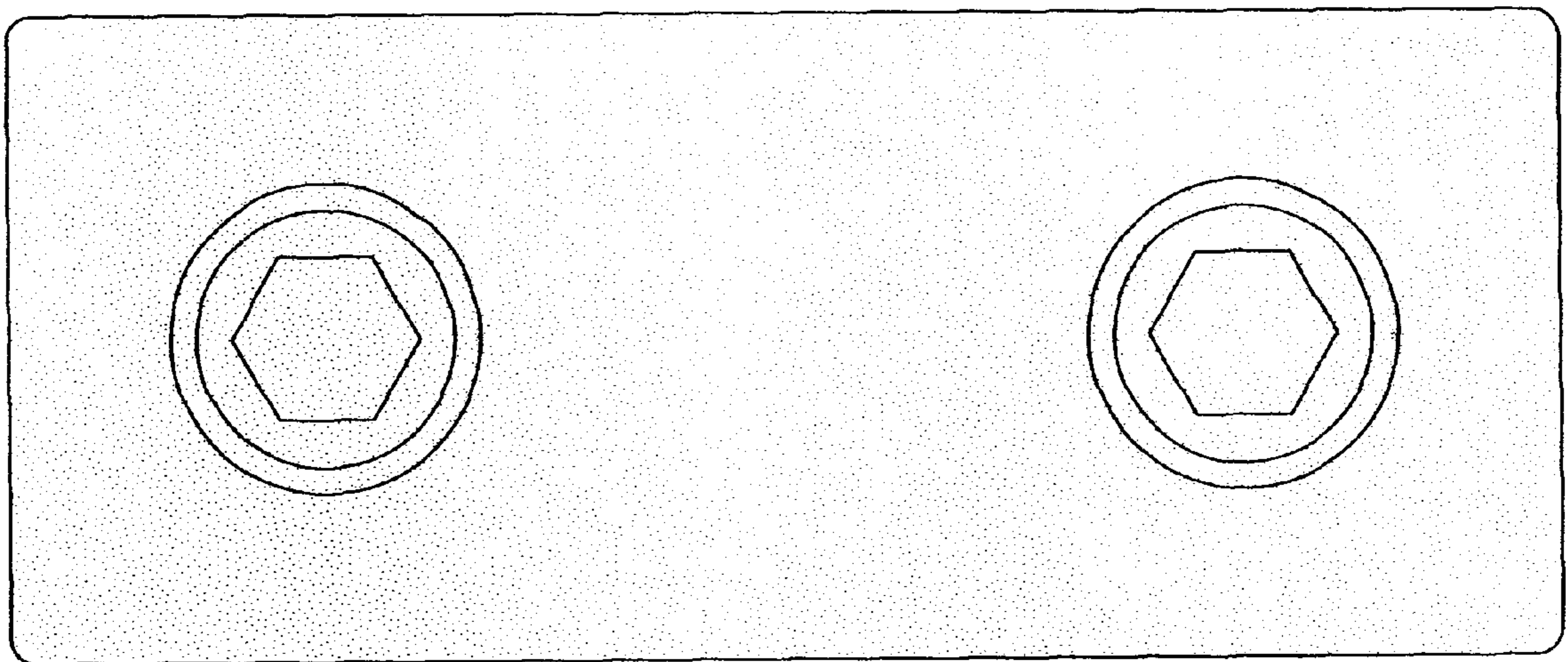


Fig. 8