



US00D465729S

(12) **United States Design Patent**
Nishimura

(10) **Patent No.:** **US D465,729 S**

(45) **Date of Patent:** **** Nov. 19, 2002**

(54) **SLIDE OPEN CONTAINER**

(76) Inventor: **Kenshi Nishimura**, 125, 3-Chrome Akai, Daito 574-0046 (JP)

(**) Term: **14 Years**

(21) Appl. No.: **29/150,699**

(22) Filed: **Nov. 27, 2001**

(51) **LOC (7) Cl.** **09-03**

(52) **U.S. Cl.** **D9/422; D9/424; D9/432**

(58) **Field of Search** D9/422, 423, 424, D9/432, 337; D3/203, 201, 273; 220/345.1, 345.2, 345.3, 351, 345.4, 252, 253; 260/216, 540, 538, 539, 828, 493

(56) **References Cited**

U.S. PATENT DOCUMENTS

1,658,496	A	*	2/1928	Qvarnstrom	220/345.2
2,295,747	A	*	9/1942	Mills	220/351
2,534,100	A	*	12/1950	Baumgartner	220/345.2
3,918,577	A	*	11/1975	Horzick	206/562
4,113,098	A	*	9/1978	Howard	206/540
4,691,456	A	*	9/1987	Ackeret	206/776
5,285,897	A	*	2/1994	Ozaki	206/815
D373,725	S	*	9/1996	Well	D9/422

D407,972	S	*	4/1999	Hilton	D9/422
D422,911	S	*	10/2000	Clarke et al.	D9/422
D446,718	S	*	8/2001	Anderson	D9/422

* cited by examiner

Primary Examiner—Prabhakar Deshmukh
(74) *Attorney, Agent, or Firm*—Delbert J. Barnard

(57) **CLAIM**

The ornamental design for a slide open container, as shown and described.

DESCRIPTION

FIG. 1 is a perspective view of a slide open container showing my new design;
FIG. 2 is a right side elevational view thereof; the left side elevational view being a mirror image thereof;
FIG. 3 is a rear elevational view thereof;
FIG. 4 is a front elevational view thereof;
FIG. 5 is a top plan view thereof;
FIG. 6 is a bottom plan view thereof;
FIG. 7 is a top perspective view thereof; shown in partially open position; and,
FIG. 8 is bottom perspective view thereof; shown in partially open position.

1 Claim, 3 Drawing Sheets

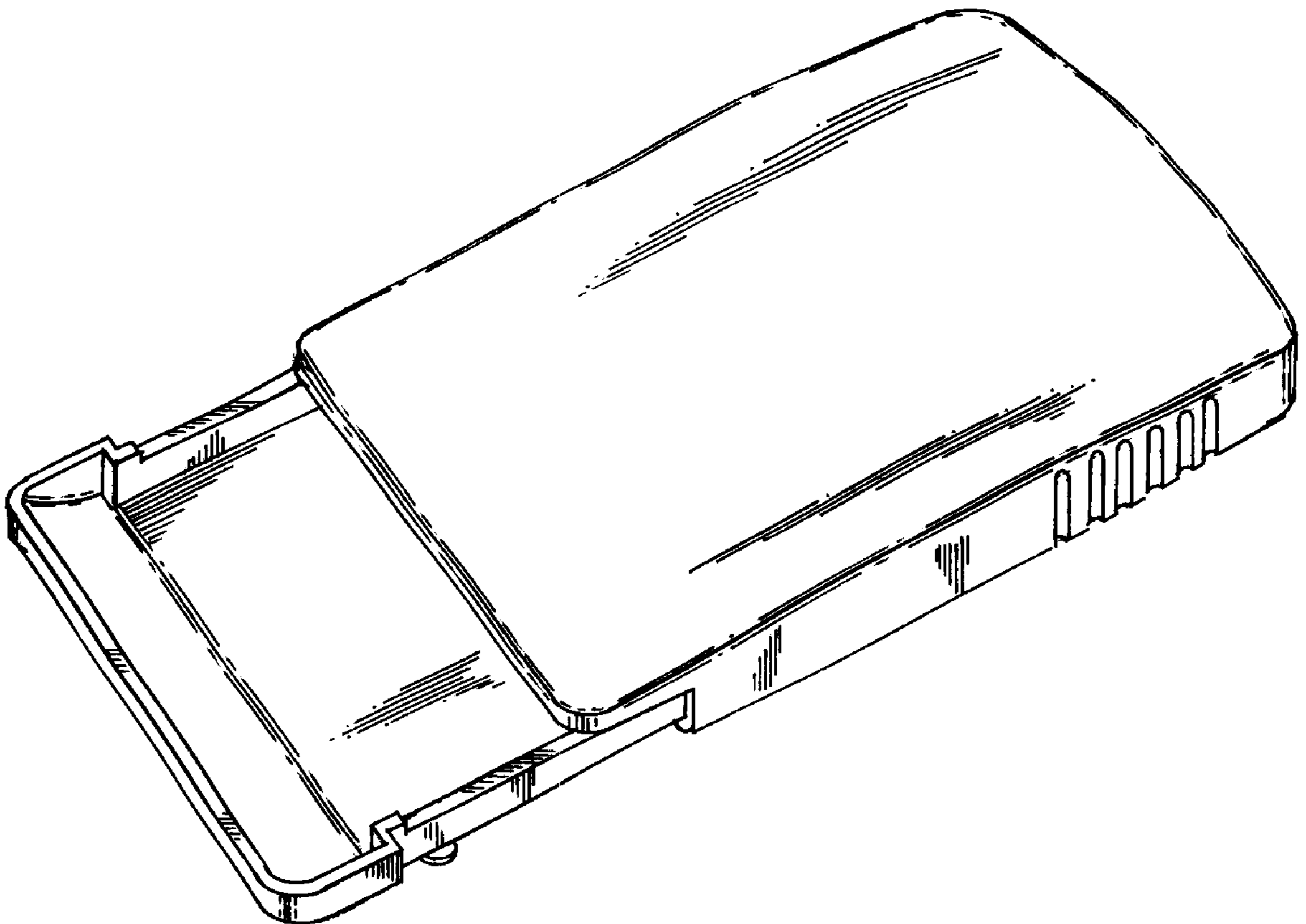


FIG. 1

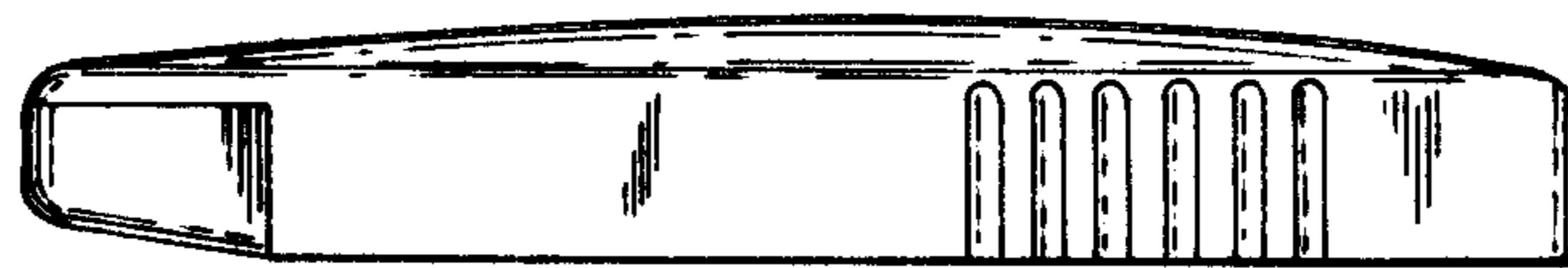
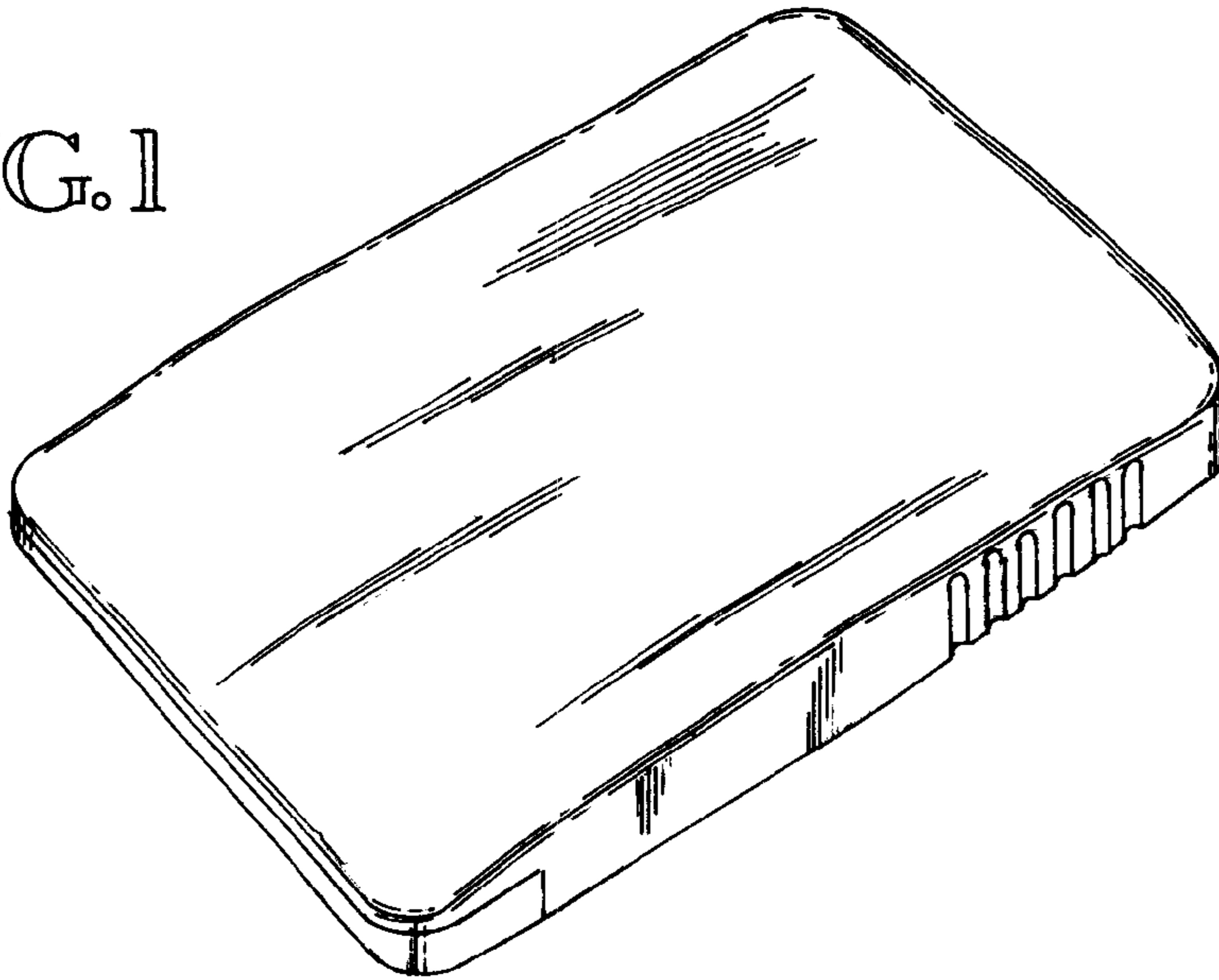


FIG. 2

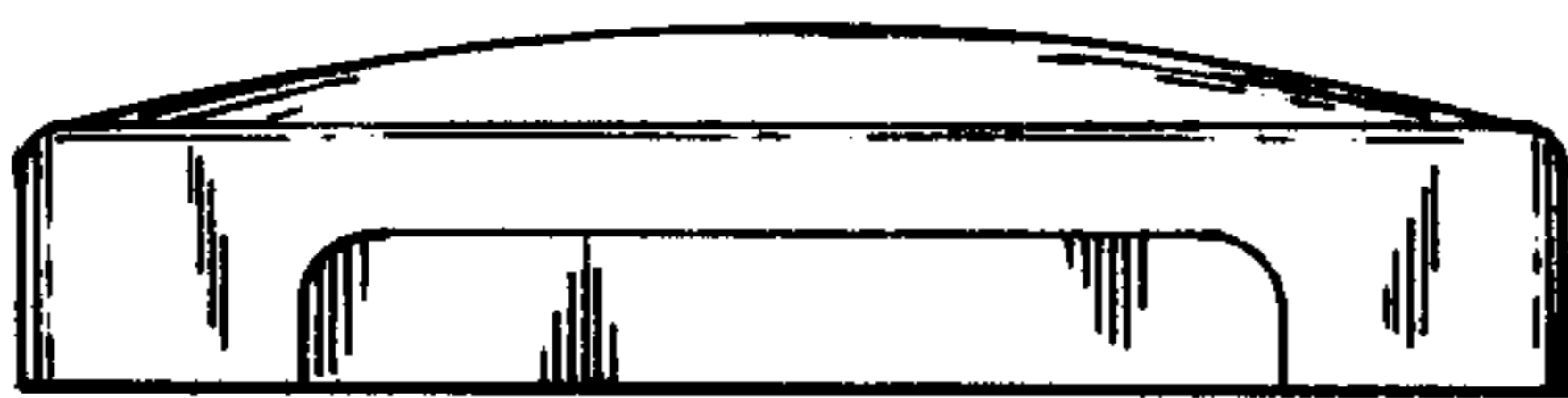
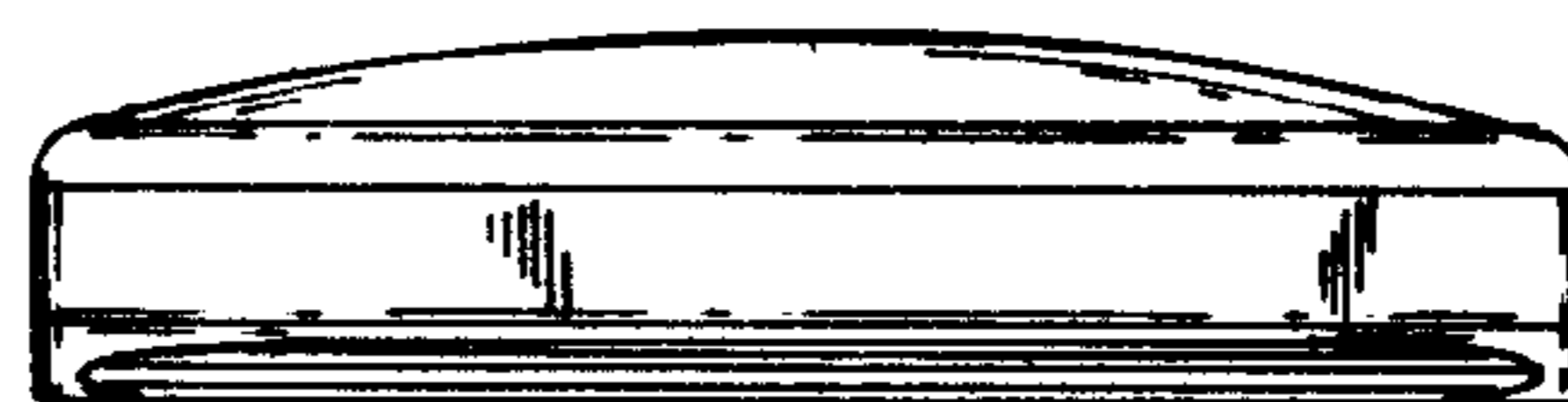


FIG. 3

FIG. 4



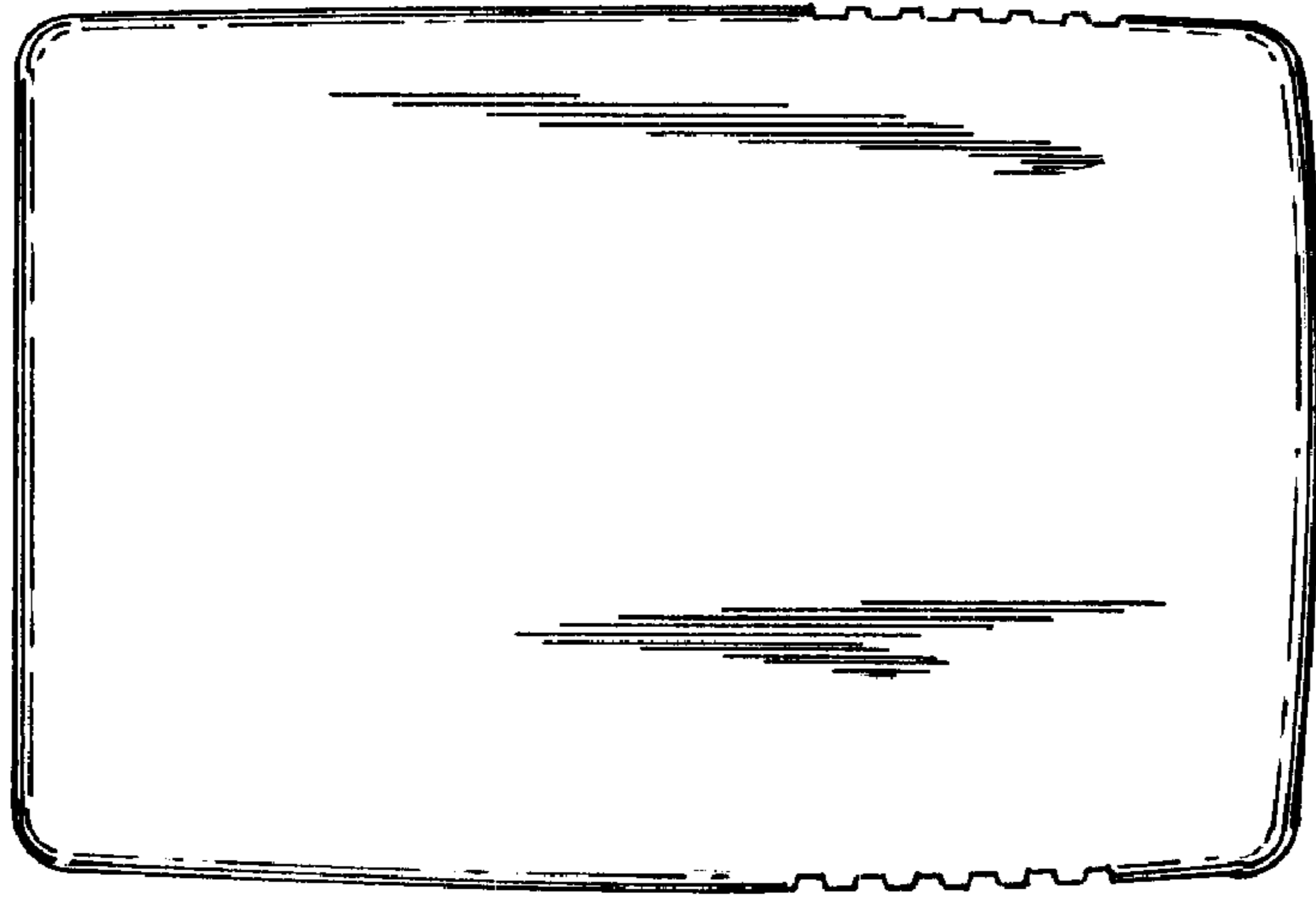


FIG. 5



FIG. 6

FIG. 7

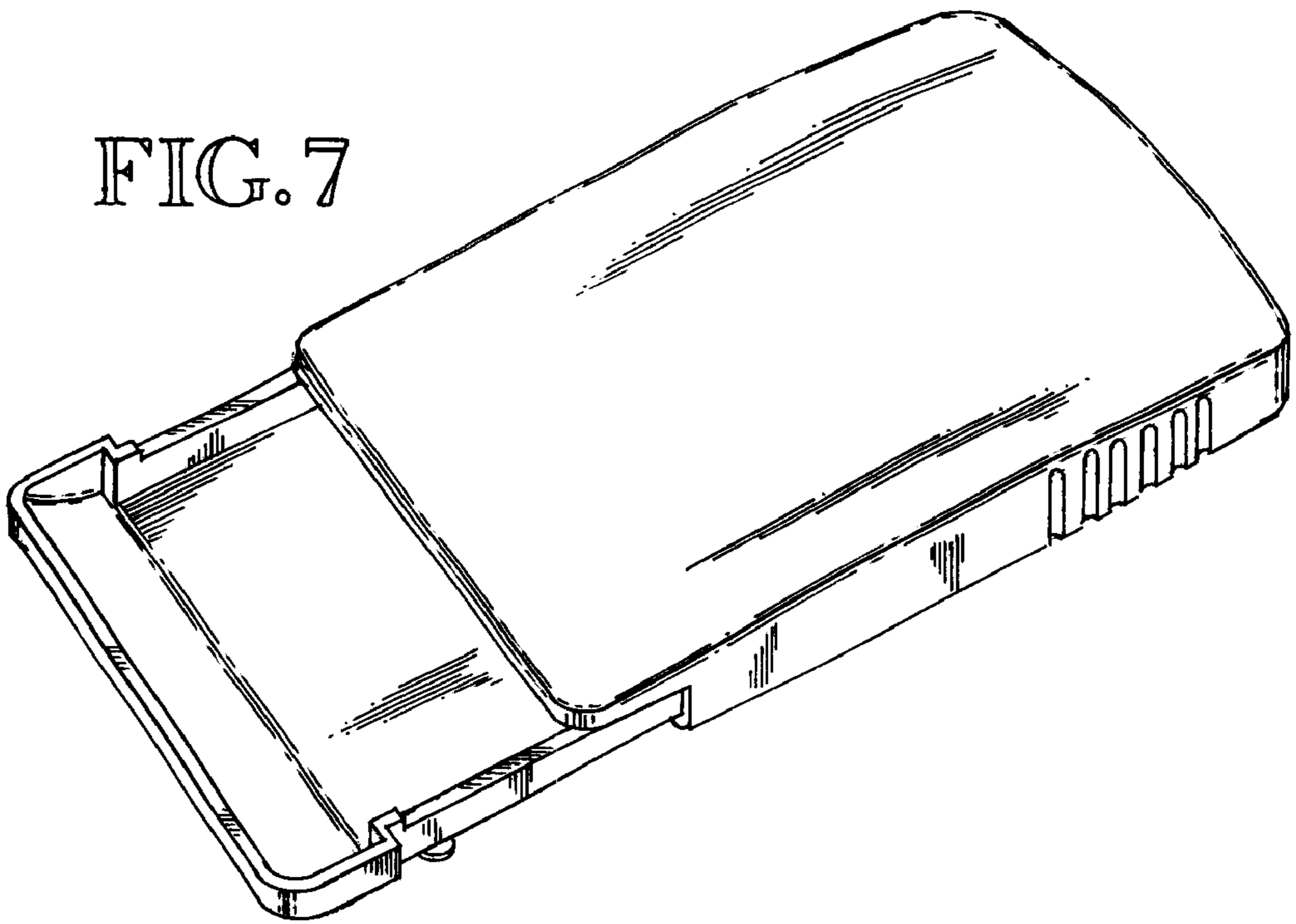
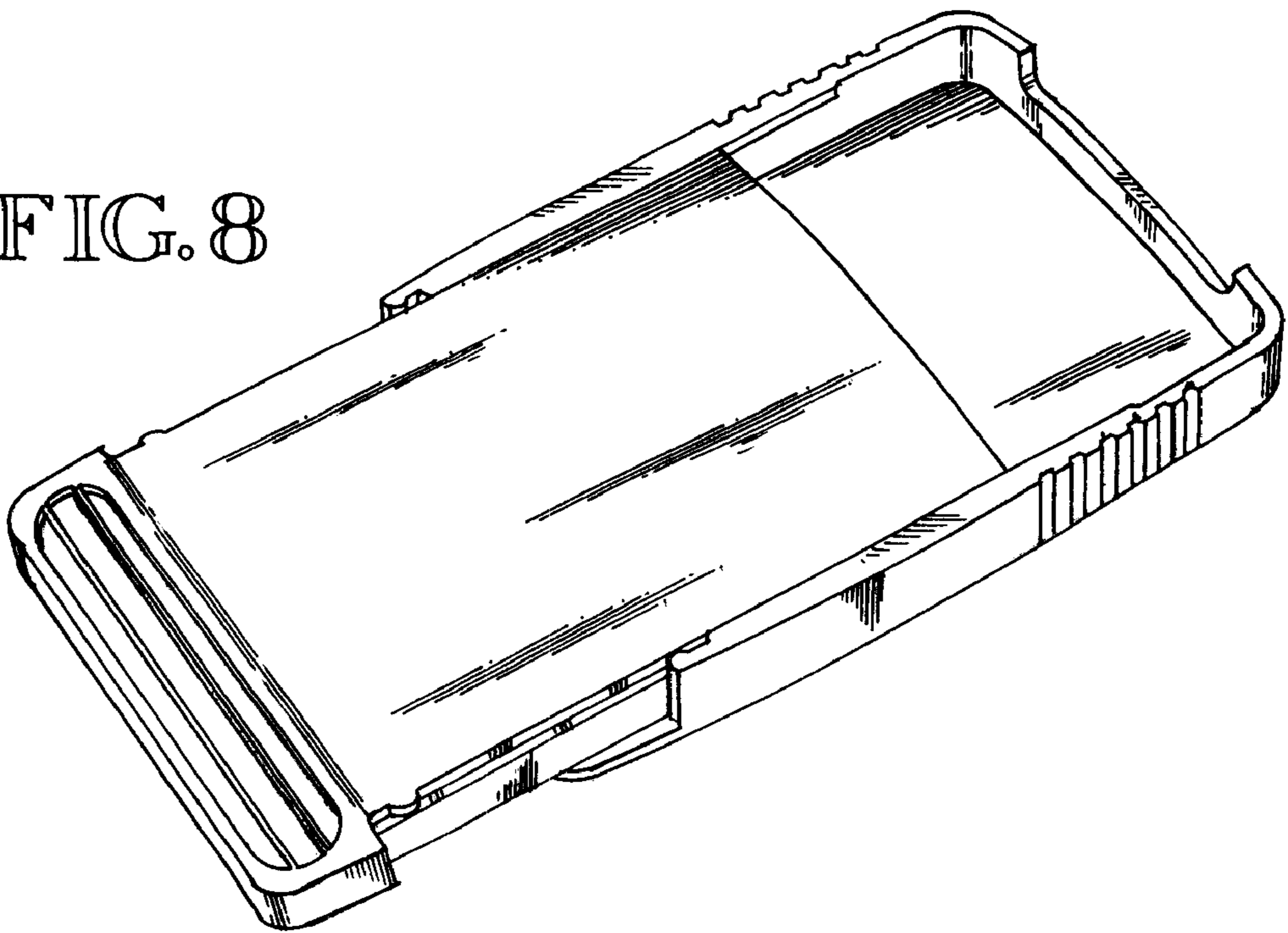


FIG. 8



UNITED STATES PATENT AND TRADEMARK OFFICE
CERTIFICATE OF CORRECTION

PATENT NO. : Des. 465,729 S
DATED : November 19, 2002
INVENTOR(S) : Kenichi Nishimura

Page 1 of 1

It is certified that error appears in the above-identified patent and that said Letters Patent is hereby corrected as shown below:

Title page,

Item [75], Inventor, the inventor's name should read -- **Kenichi Nishimura** --

Signed and Sealed this

Thirty-first Day of August, 2004

A handwritten signature in black ink on a dotted background. The signature reads "Jon W. Dudas" in a cursive style.

JON W. DUDAS

Director of the United States Patent and Trademark Office