



US00D465728S

(12) **United States Design Patent**
Feyereisen

(10) **Patent No.:** **US D465,728 S**

(45) **Date of Patent:** **** Nov. 19, 2002**

(54) **CONTAINER WITH COVER**

5,837,937 A * 11/1998 Reese et al. 220/242

(76) Inventor: **Robert Feyereisen**, 210 E. Hennepin Ave., Apt. #304, Minneapolis, MN (US) 55413

* cited by examiner

Primary Examiner—Prabhakar Deshmukh
(74) *Attorney, Agent, or Firm*—Schwegman, Lundberg, Woessner & Kluth, P.A.

(**) Term: **14 Years**

(57) **CLAIM**

(21) Appl. No.: **29/149,290**

The ornamental design for container with cover, as shown and described.

(22) Filed: **Oct. 5, 2001**

(51) **LOC (7) Cl.** **09-03**

DESCRIPTION

(52) **U.S. Cl.** **D9/418; D9/432**

(58) **Field of Search** D9/414, 415, 418, D9/432, 315; 229/116.2, 116.1, 162, 124; 206/457, 458, 449, 776, 777, 769; 220/241, 242, 376

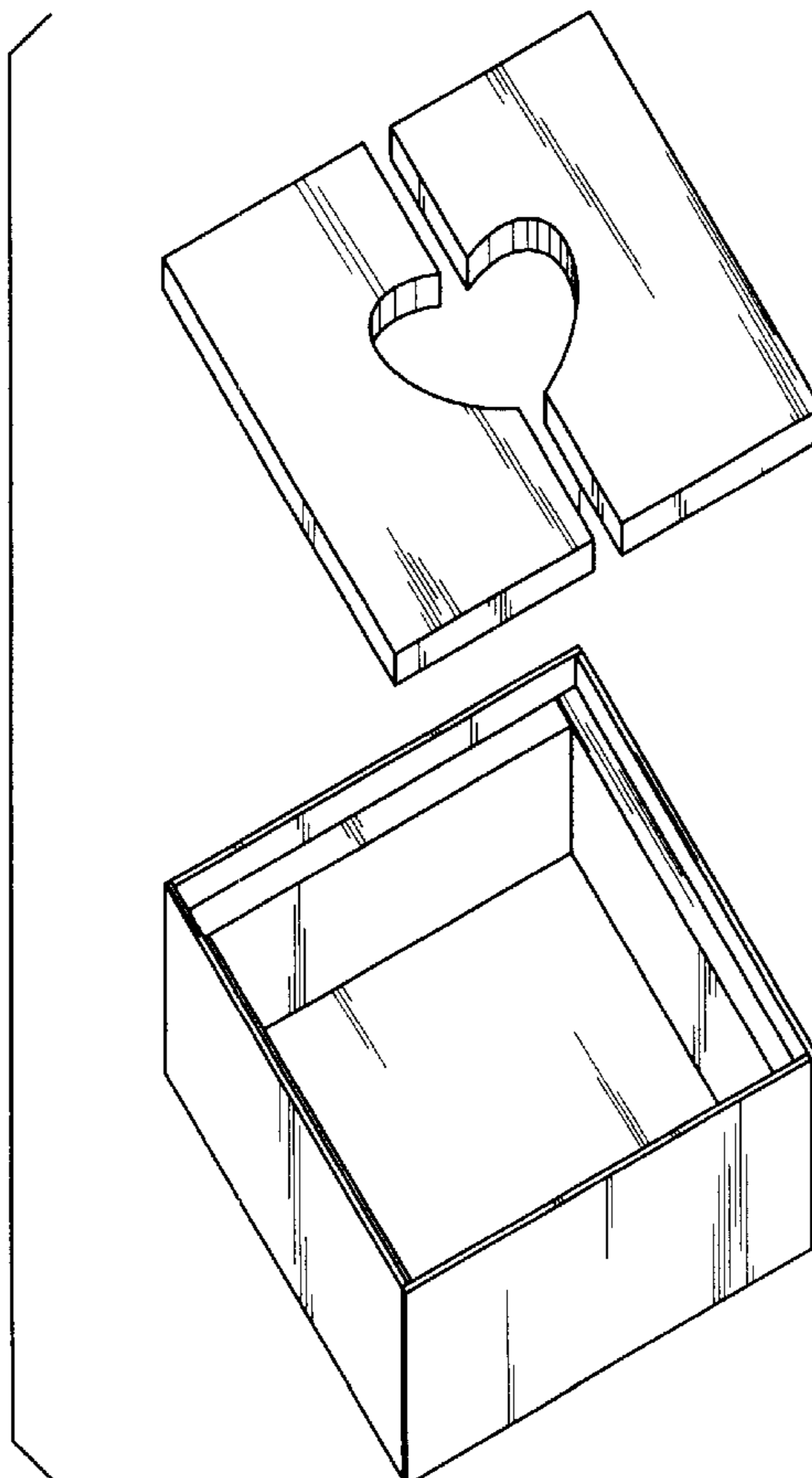
FIG. 1 is an expanded perspective view of a container with cover showing my new design;
FIG. 2 is an expanded perspective view of a second embodiment of FIG. 1;
FIG. 3 is an expanded perspective view of a third embodiment of FIG. 1;
FIG. 4 is a top plan view of FIG. 1;
FIG. 5 is a bottom plan view of FIG. 1;
FIG. 6 is a front elevational view of FIG. 1;
FIG. 7 is a right side elevational view of FIG. 1;
FIG. 8 is a left side elevational view of FIG. 1; and,
FIG. 9 is a rear elevational view of FIG. 1 thereof.
FIGS. 4-9 are drawn in an enlarged scale with the container cover placed on the container.

(56) **References Cited**

U.S. PATENT DOCUMENTS

D130,500 S	*	11/1941	Huch	D9/315
D157,495 S	*	2/1950	Howe	206/457 X
3,586,349 A	*	6/1971	Green	206/457
3,910,408 A	*	10/1975	Husney et al.	206/457
3,953,933 A	*	5/1976	Goldstein	220/242
D296,762 S	*	7/1988	Sato	D9/315
D296,871 S	*	7/1988	Sato	D9/315
D382,476 S	*	8/1997	Bell	D9/315

1 Claim, 5 Drawing Sheets



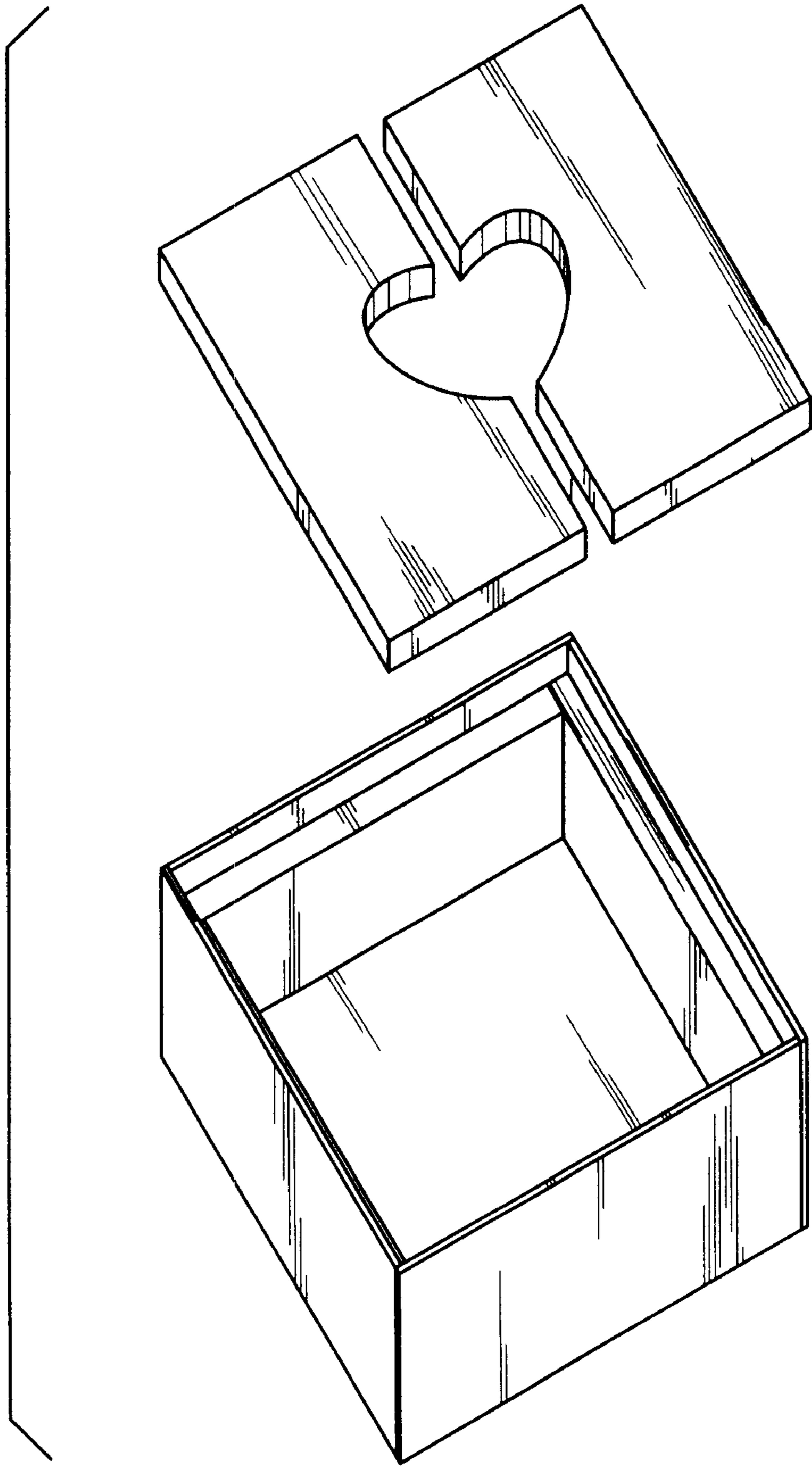


Fig. 1

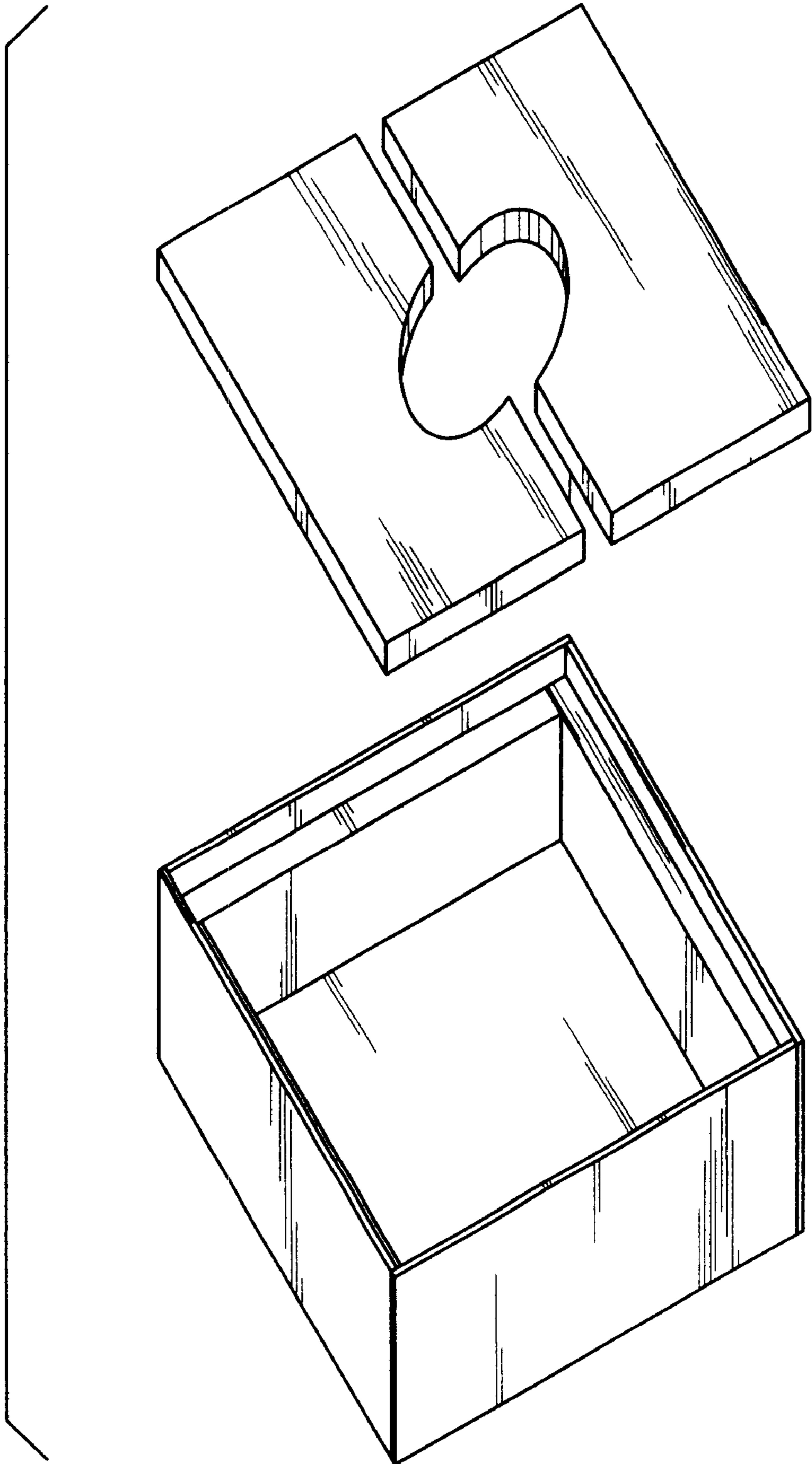


Fig. 2

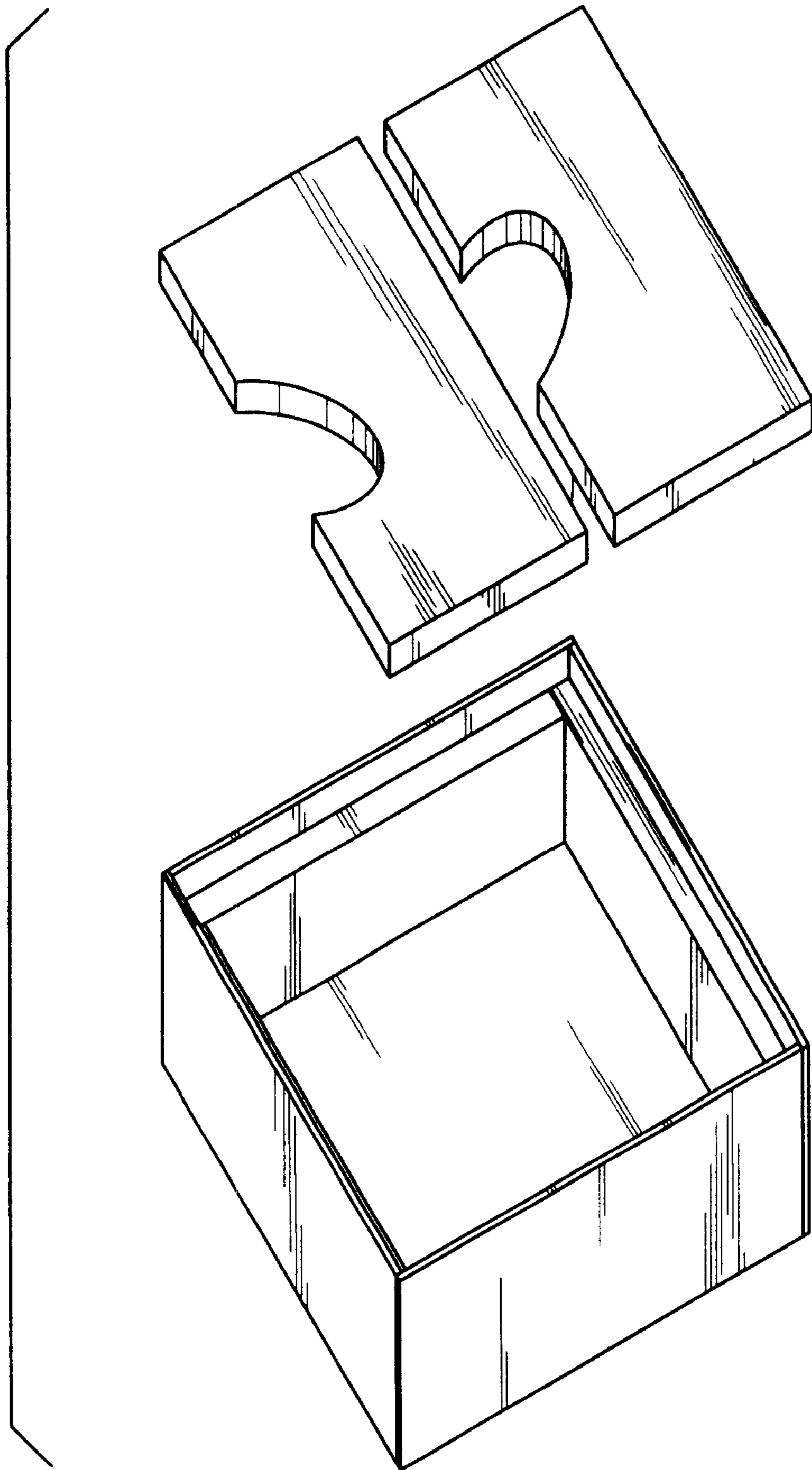


Fig. 3

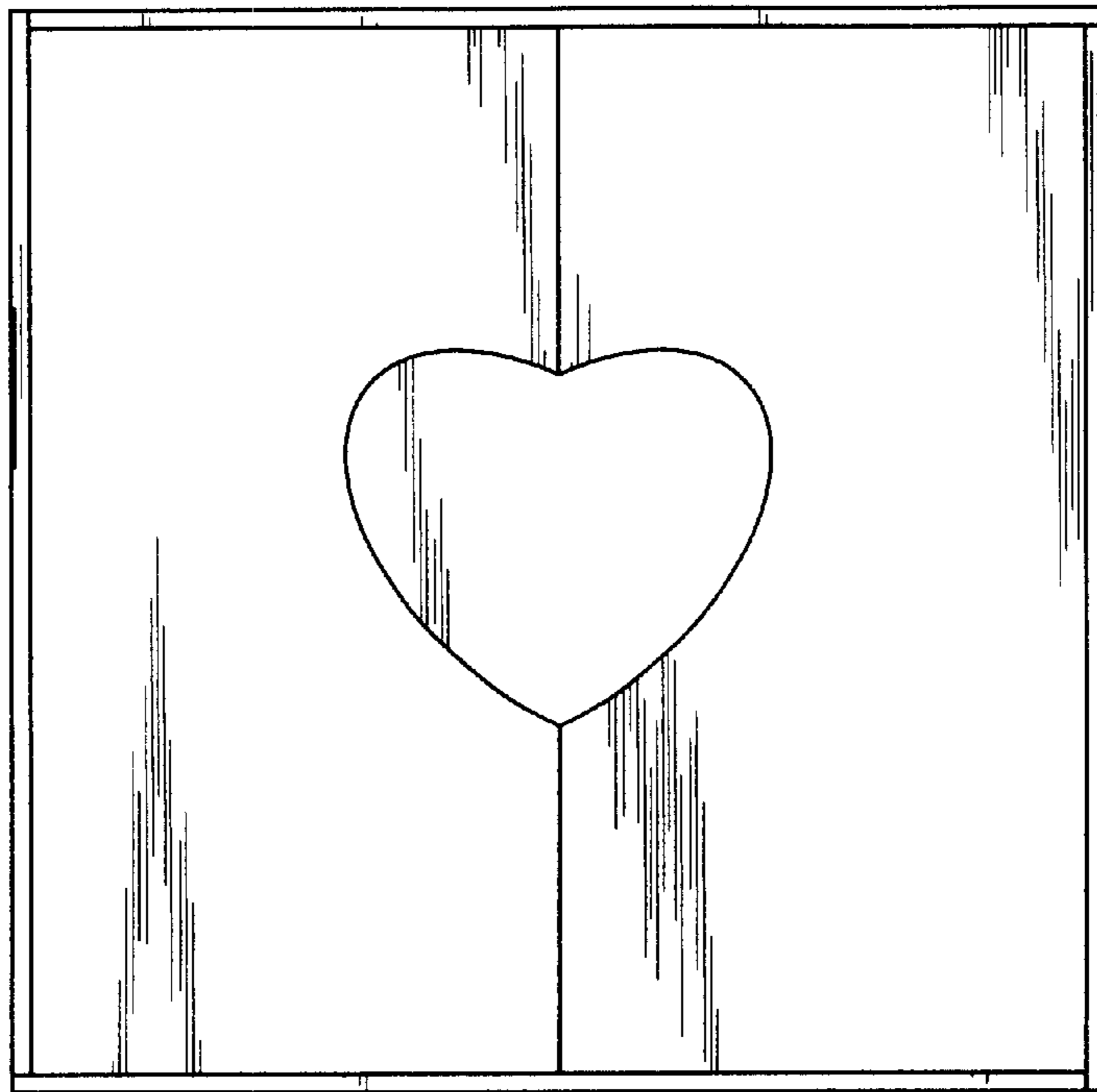


Fig. 4

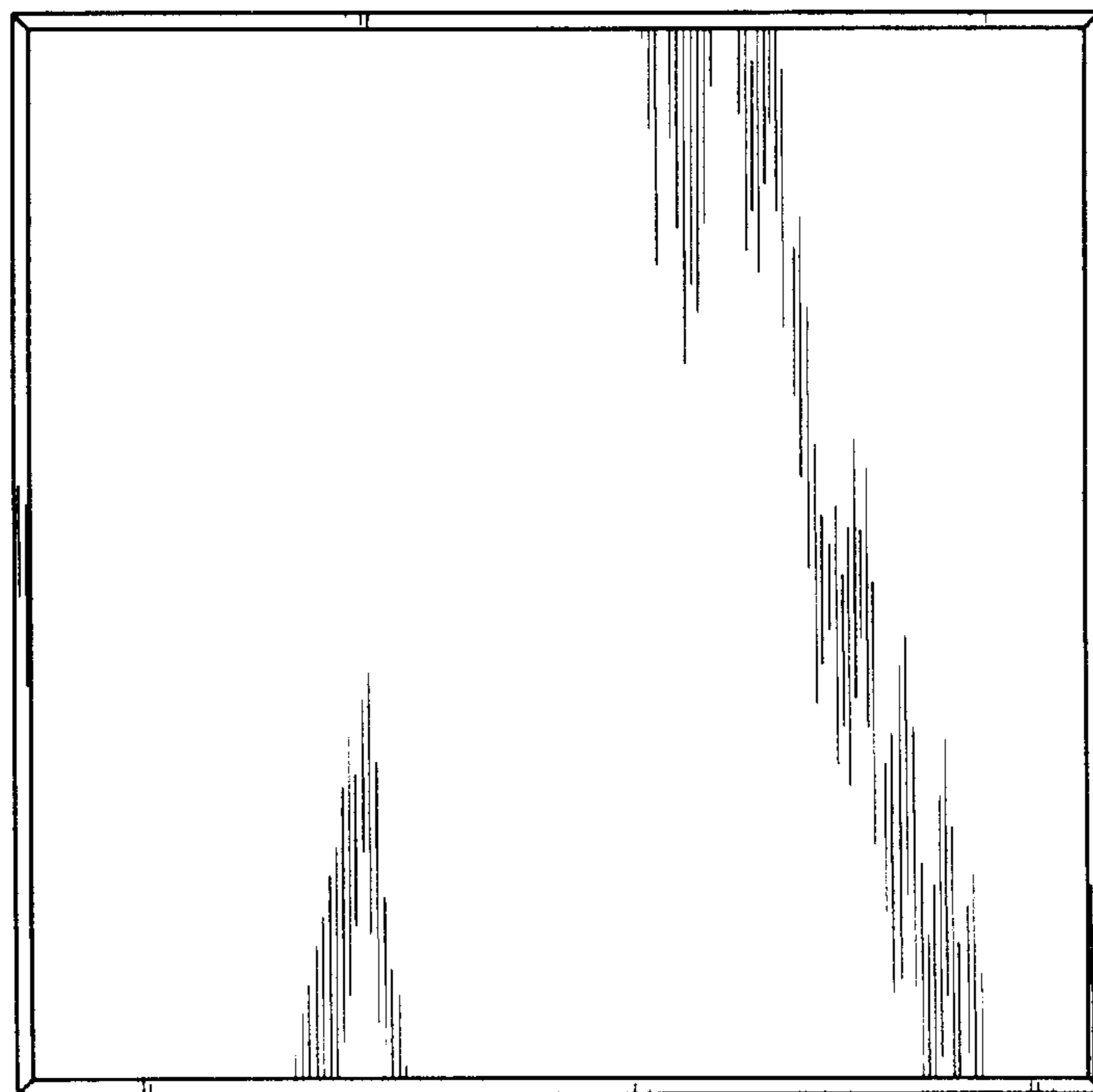


Fig. 5

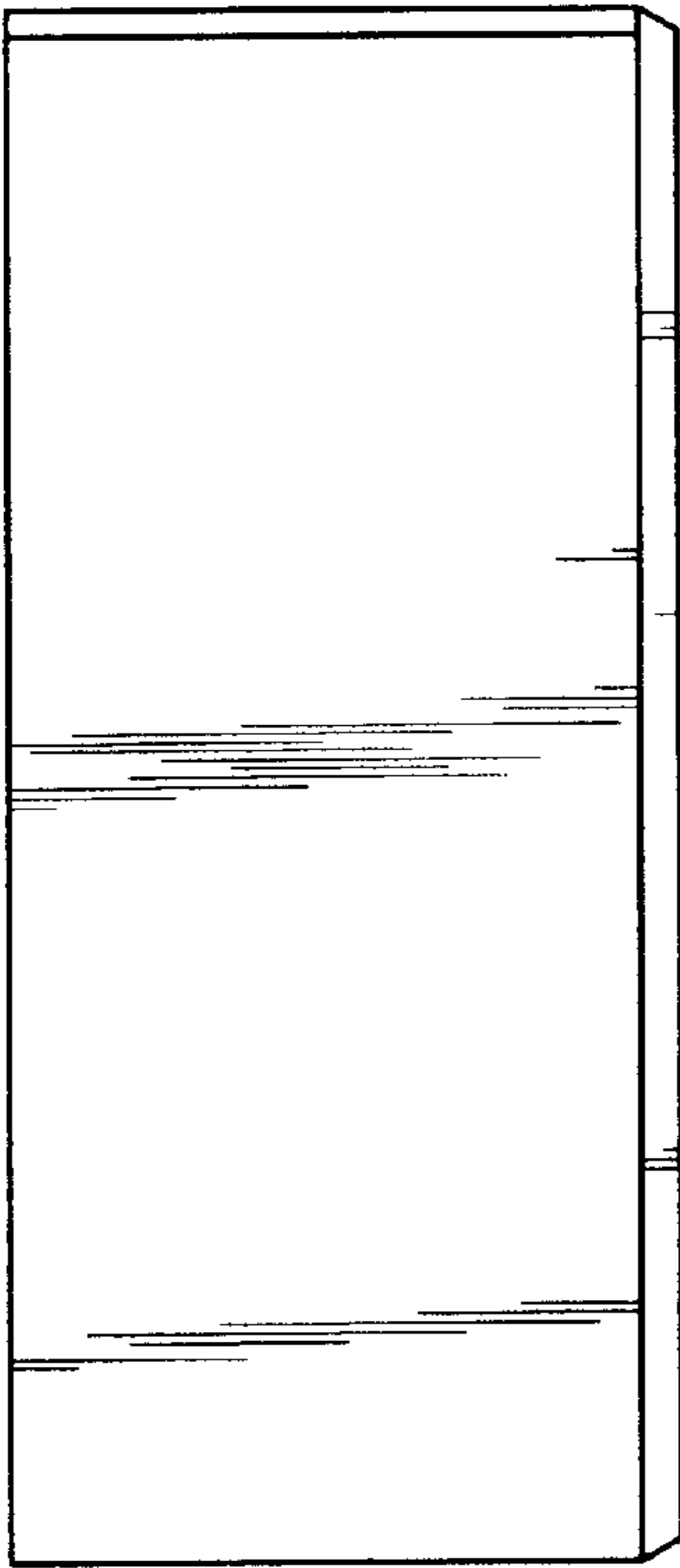


Fig. 7

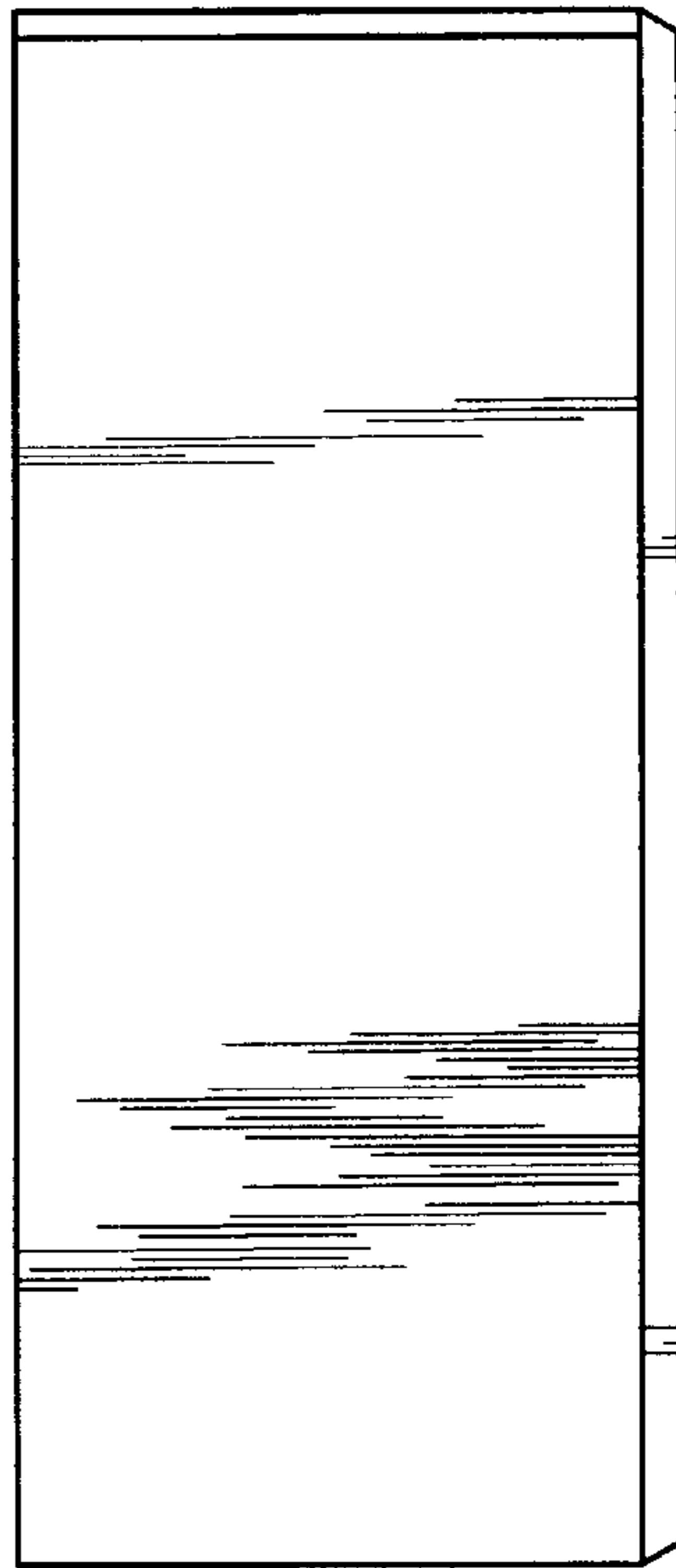


Fig. 9

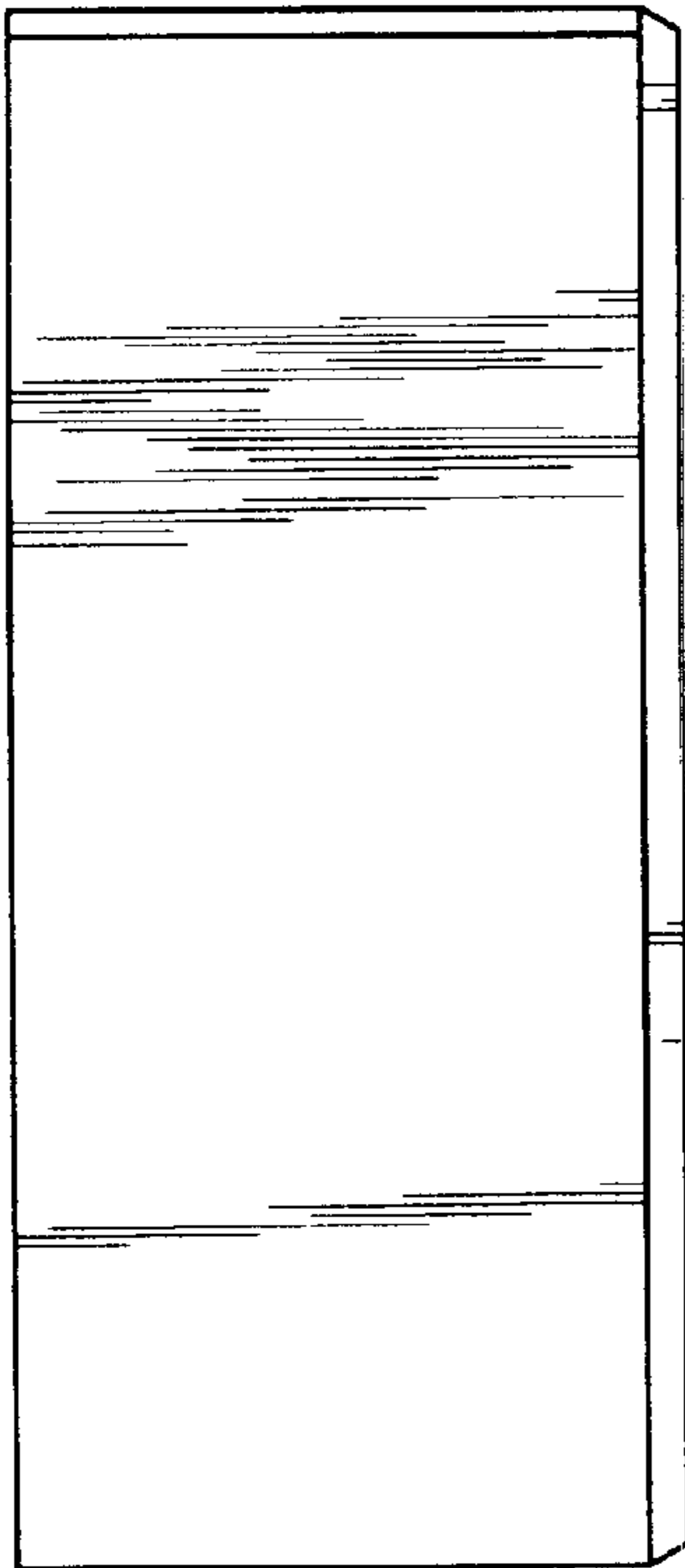


Fig. 6

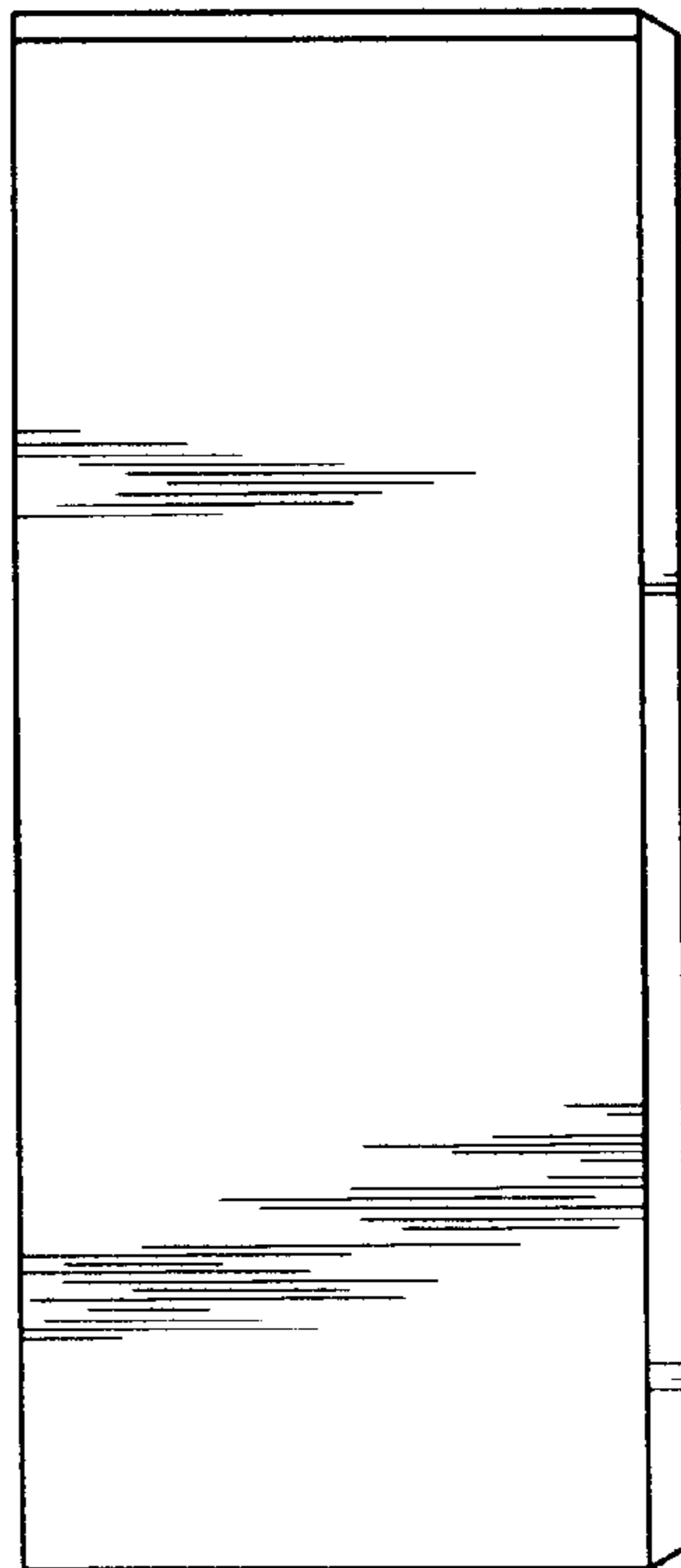


Fig. 8