



US00D465722S

(12) **United States Design Patent**
Shijyo

(10) **Patent No.:** **US D465,722 S**

(45) **Date of Patent:** **** Nov. 19, 2002**

(54) **WIRING LINE BUNDLING/FIXING DEVICE**

Catalog of Bundling/Fixing Devices (Japanese version), Panduit Corp., Tinley Park, Illinois, USA, Apr. 2000, p. 16.

(76) Inventor: **Hiroyuki Shijyo**, 1-24-24, Saginomiya, Nakano-ku, Tokyo (JP)

* cited by examiner

(**) Term: **14 Years**

(21) Appl. No.: **29/138,049**

Primary Examiner—Doris V. Coles
Assistant Examiner—Elizabeth A. Albert
(74) *Attorney, Agent, or Firm*—Frishauf, Holtz, Goodman & Chick, P.C.

(22) Filed: **Mar. 5, 2001**

(30) **Foreign Application Priority Data**

Sep. 7, 2000 (JP) 2000-029027
Nov. 28, 2000 (JP) 2000-037954

(57) **CLAIM**

The ornamental design for a wiring line bundling/fixing device, as shown and described.

(51) **LOC (7) Cl.** **08-05**

(52) **U.S. Cl.** **D8/356**

DESCRIPTION

(58) **Field of Search** D8/349, 354, 355,
D8/356, 373, 380; 248/49, 237, 346.01,
346.02, 346.03, 346.04, 346.05, 346.5,
519, 523, 676, 678, 689, 65

FIG. 1 is a front, top and right side perspective view of a wiring line bundling/fixing device, showing my new design;

FIG. 2 is a front elevational view thereof, the rear, right and left side views being identical to the front view;

(56) **References Cited**

U.S. PATENT DOCUMENTS

3,381,635 A * 5/1968 Pforr 248/519
D316,511 S * 4/1991 White, Jr. D8/349
5,816,554 A * 10/1998 McCracken 248/519
D401,498 S * 11/1998 Caveney D8/356
D435,430 S * 12/2000 Valentz et al. D8/349
6,206,613 B1 * 3/2001 Elkins 248/49

FIG. 3 is a top plan view thereof;

FIG. 4 is a bottom plan view thereof;

FIG. 5 is a cross-sectional view taken along line 5—5 in FIG. 3; and,

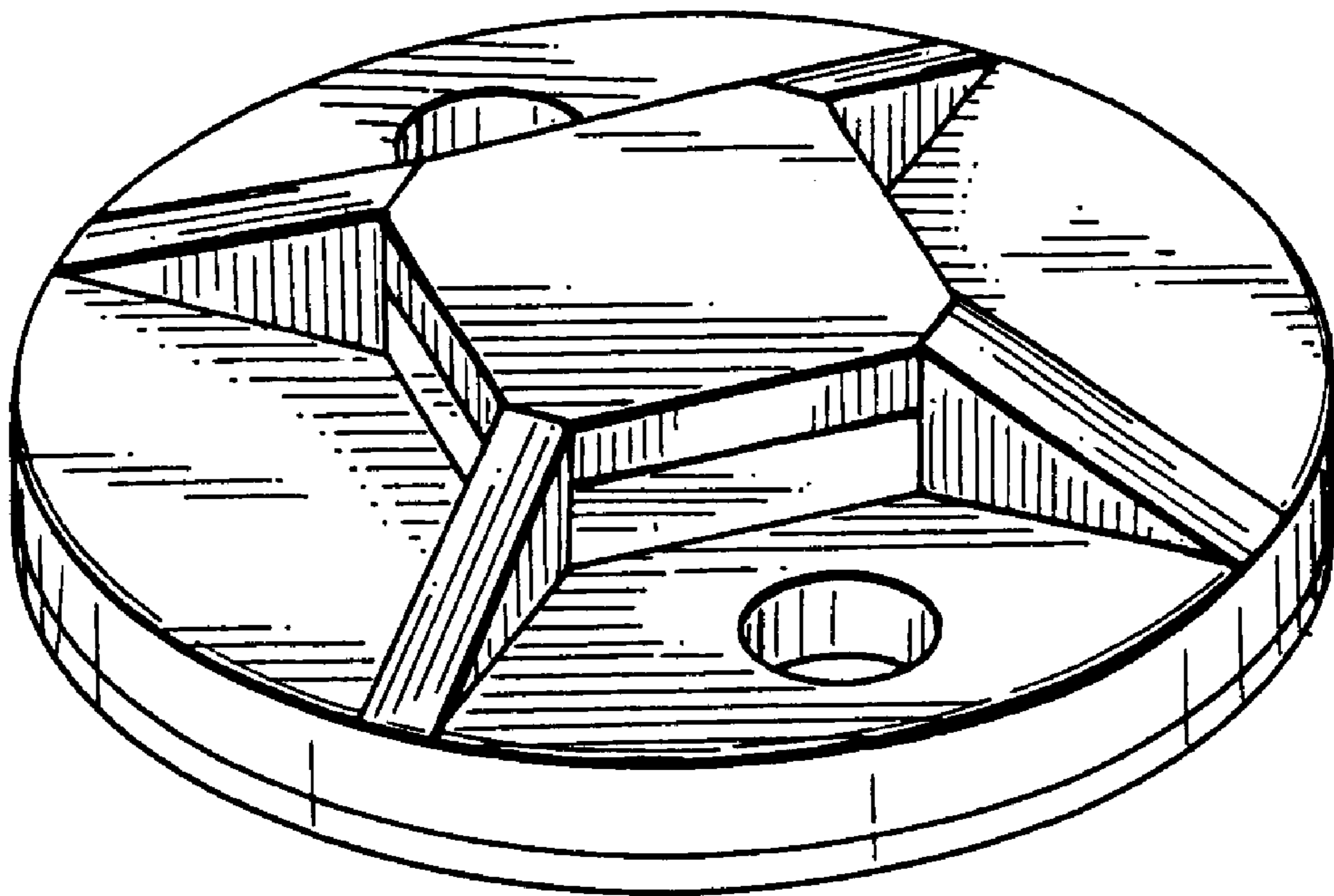
FIG. 6 is a reference view showing the state of use of the device shown in FIG. 1.

OTHER PUBLICATIONS

Catalog of Cable Ties & Wiring Accessories (U.S. version), Panduit Corp., Tinley Park, Illinois, USA, 1998, pp. 80 and 81.

The broken lines are for illustrative purposes only and form no part of the claimed design.

1 Claim, 1 Drawing Sheet



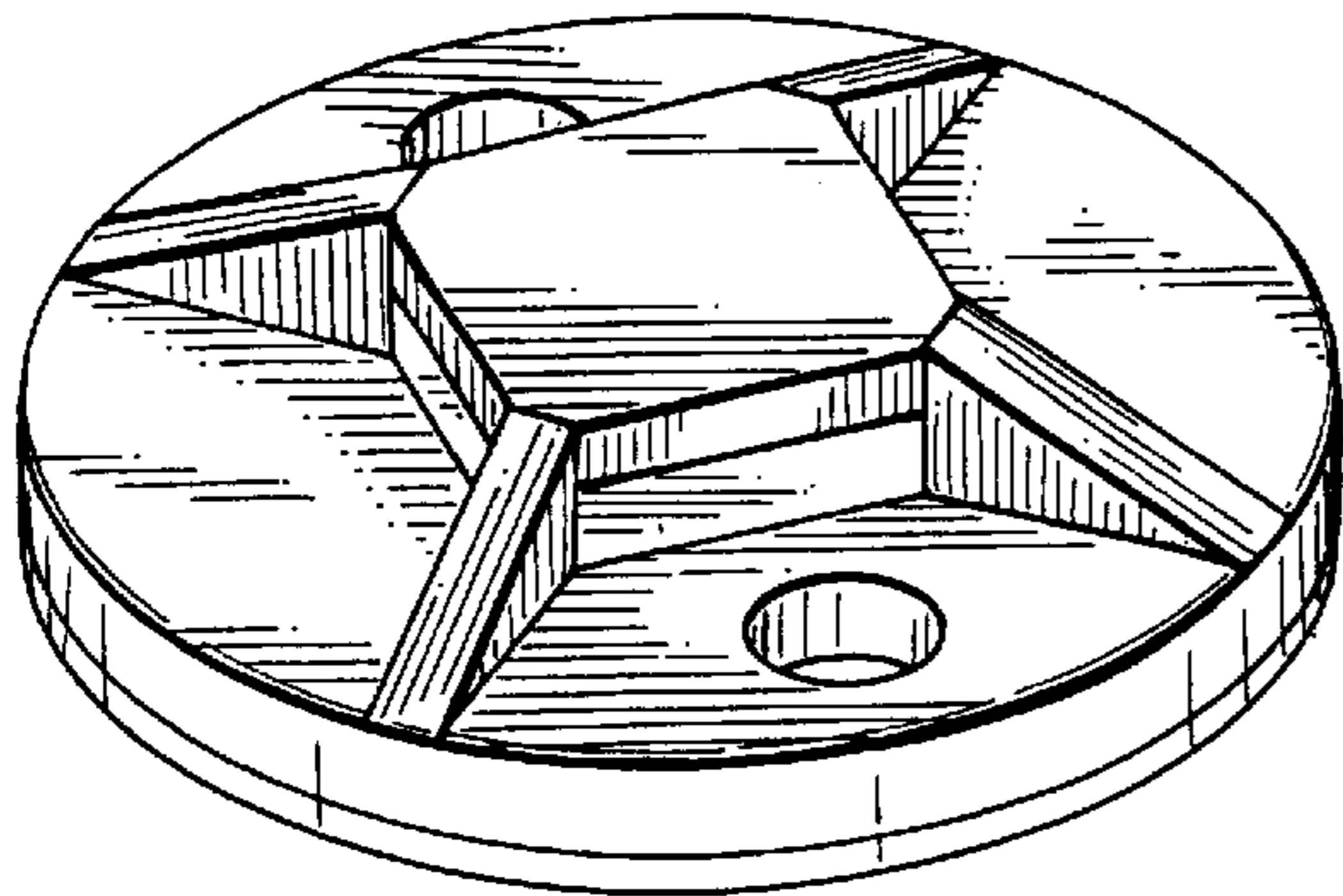


FIG. 1

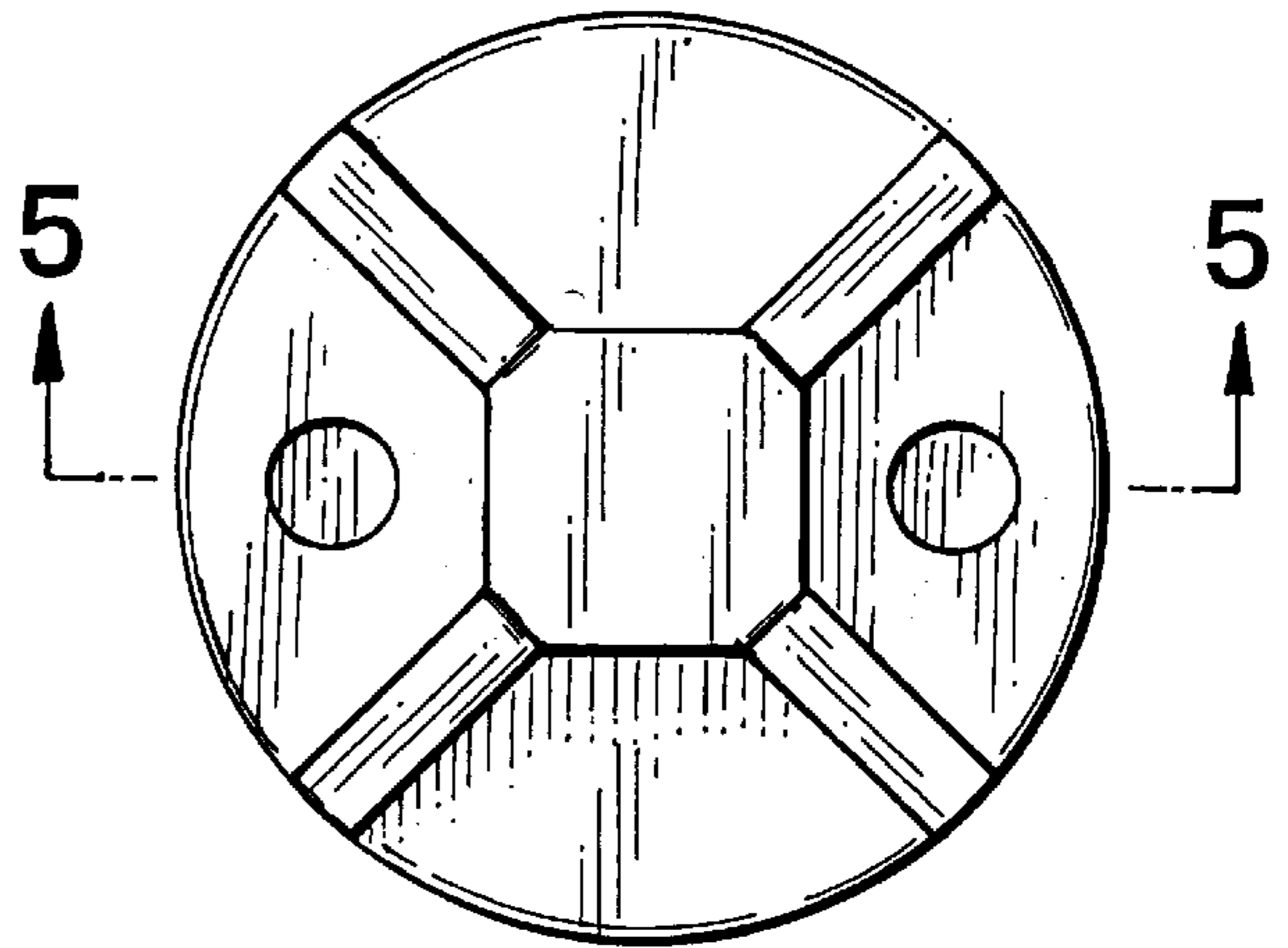


FIG. 3

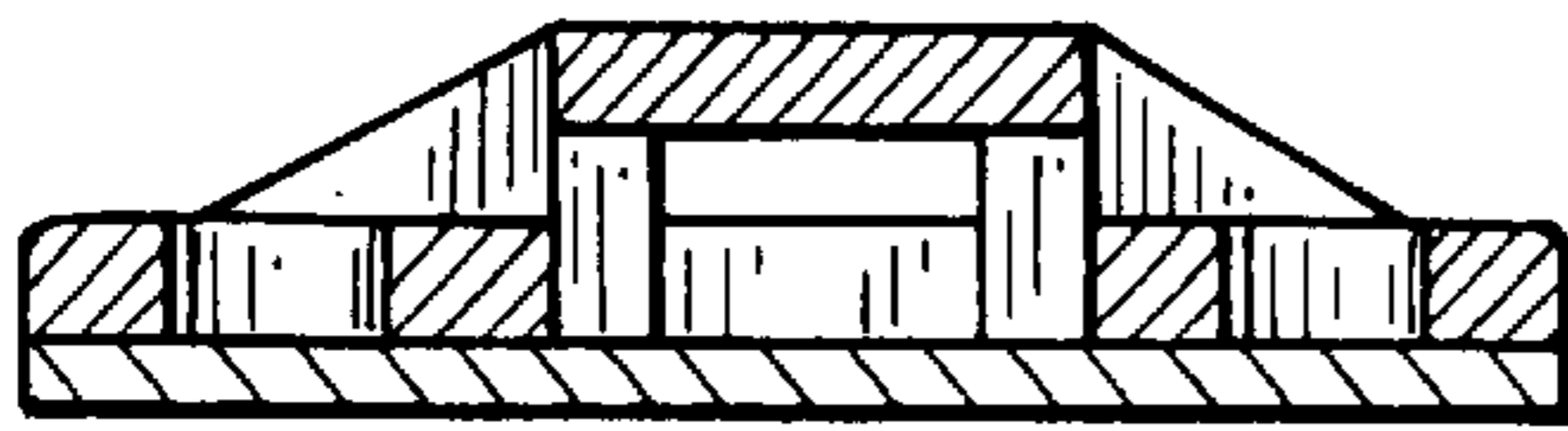


FIG. 5

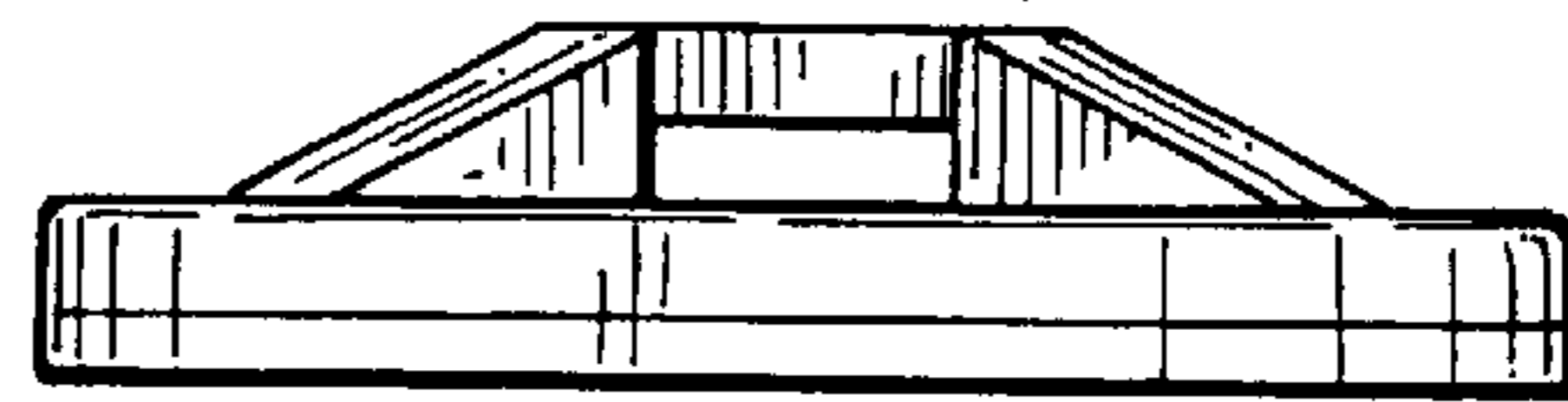


FIG. 2

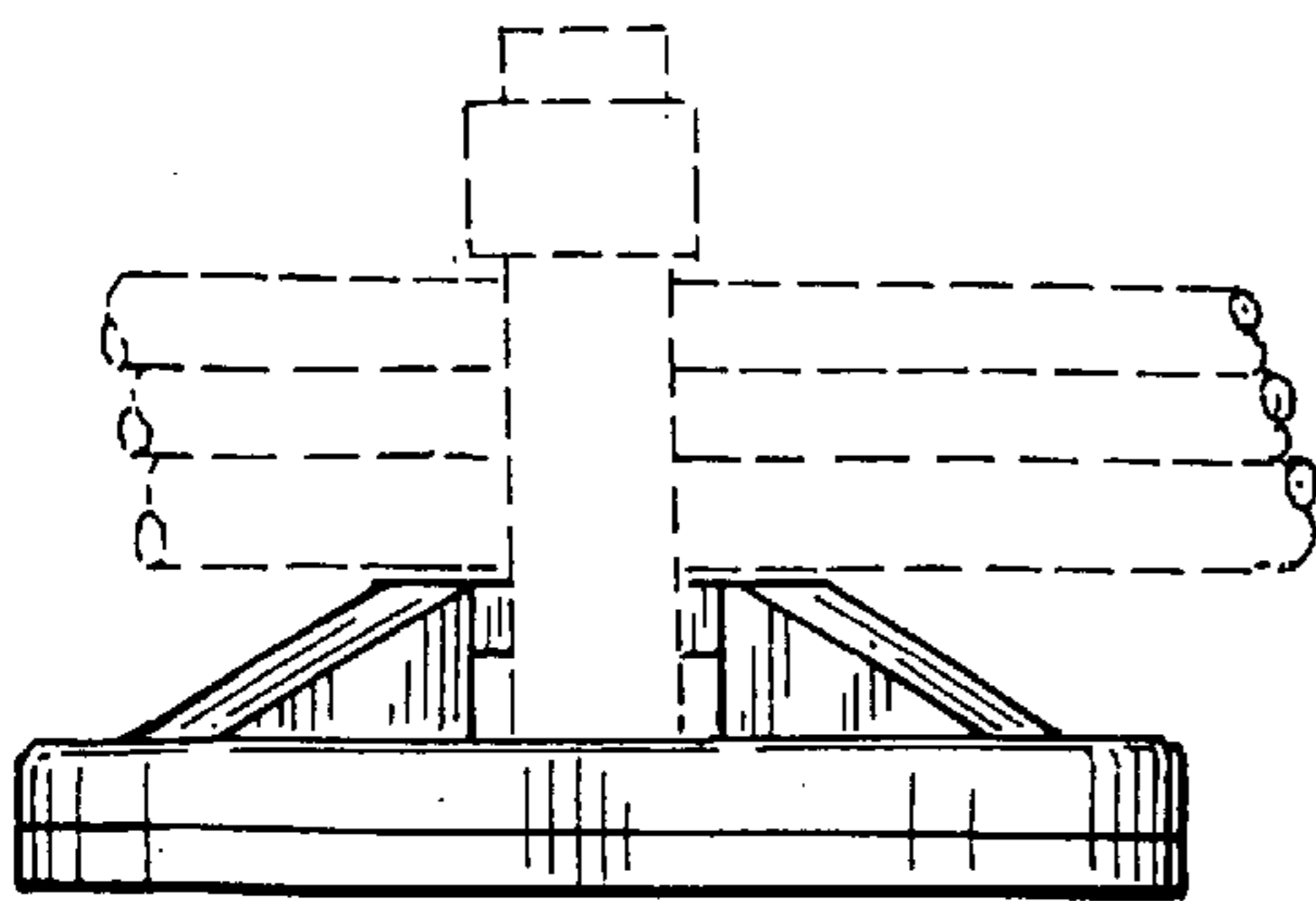


FIG. 6

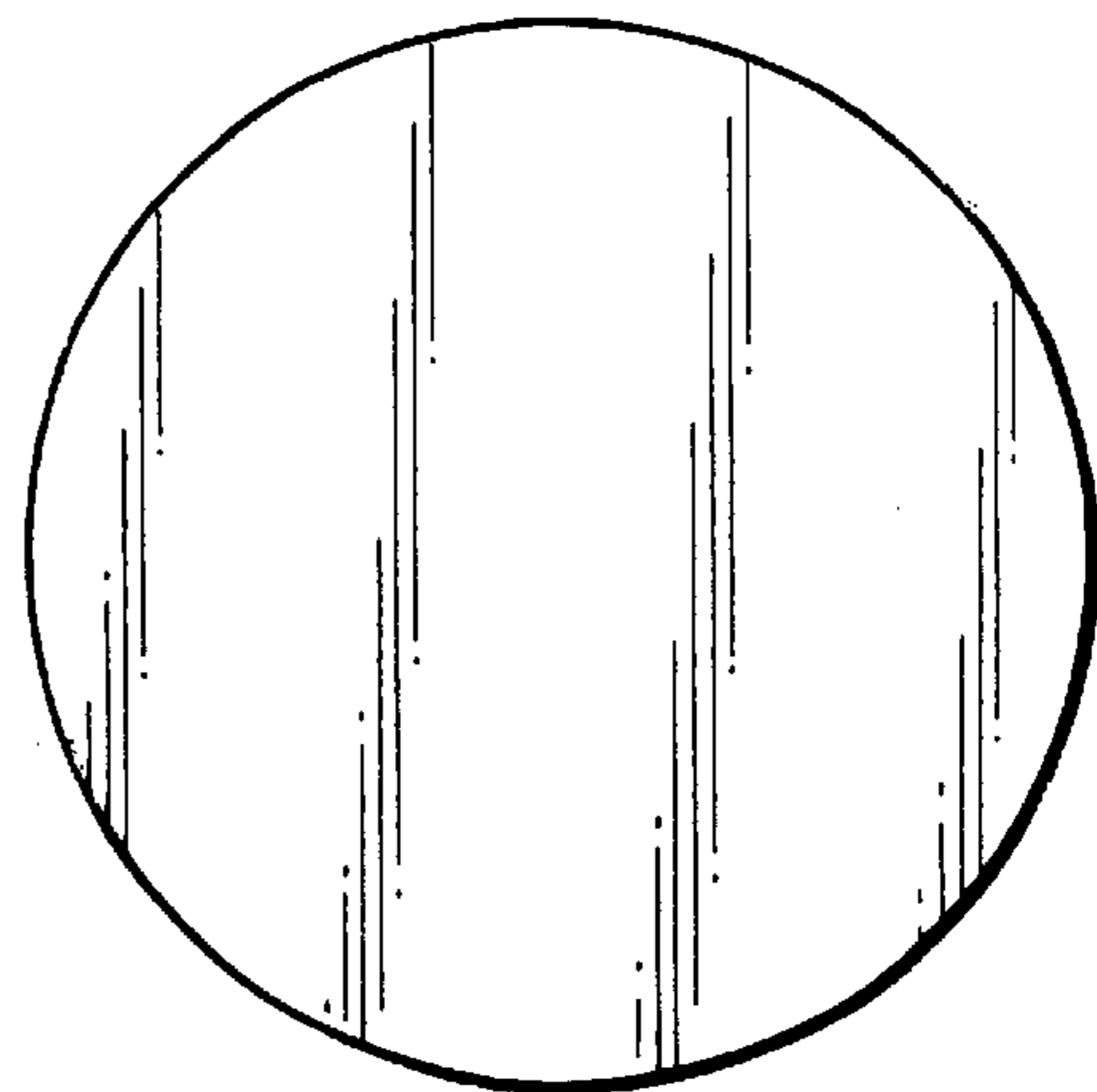


FIG. 4