



US00D465721S

(12) **United States Design Patent**  
**Vito**

(10) **Patent No.:** **US D465,721 S**

(45) **Date of Patent:** **\*\* Nov. 19, 2002**

(54) **ANTI-THEFT DEVICE**

(76) **Inventor:** **Robert A. Vito**, 1434 Sugartown Rd.,  
Berwyn, PA (US) 19312

(\*\*) **Term:** **14 Years**

(21) **Appl. No.:** **29/152,328**

(22) **Filed:** **Dec. 14, 2001**

**Related U.S. Application Data**

(63) Continuation-in-part of application No. 10/007,090, filed on  
Dec. 7, 2001.

(51) **LOC (7) Cl.** ..... **08-07**

(52) **U.S. Cl.** ..... **D8/331**

(58) **Field of Search** ..... D8/330, 331, 339;  
70/209, 225, 226, 237, 252

(56) **References Cited**

**U.S. PATENT DOCUMENTS**

2,716,336 A	8/1955	Ross
3,190,090 A	6/1965	Zaidener
3,690,131 A	9/1972	Davis
3,898,823 A	8/1975	Ludeman
4,696,172 A	9/1987	Farrow

(List continued on next page.)

*Primary Examiner*—Brian N. Vinson

(74) *Attorney, Agent, or Firm*—Volpe and Koenig, P.C.

(57) **CLAIM**

The ornamental design for an anti-theft device, as shown and described.

**DESCRIPTION**

FIG. 1 is a perspective view of an anti-theft device according to my new design;

FIG. 2 is a right-side elevational view of the anti-theft device of FIG. 1;

FIG. 3 is a left-side elevational view of the anti-theft device of FIG. 1;

FIG. 4 is a top plan view of the anti-theft device of FIG. 1;

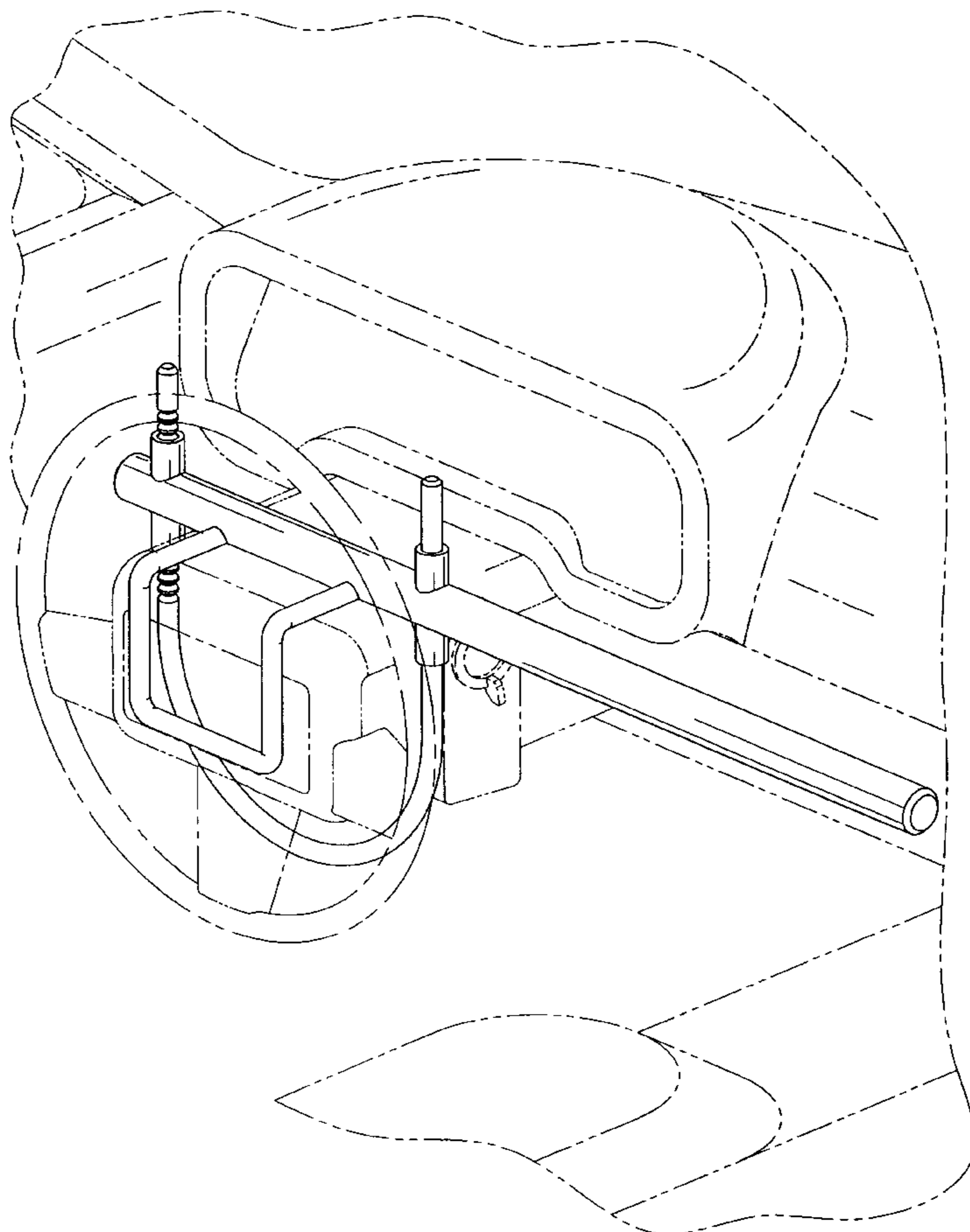
FIG. 5 is a front side view of the anti-theft device of FIG. 1;

FIG. 6 is a bottom plan view of the anti-theft device of FIG. 1;

FIG. 7 is a rear side view of the anti-theft device of FIG. 1; and,

FIG. 8 is a perspective view of the anti-theft device of FIG. 1, the broken-line disclosure of environment are for illustrative purposes only and form no part of the claimed design.

**1 Claim, 4 Drawing Sheets**



# US D465,721 S

Page 2

## U.S. PATENT DOCUMENTS

4,699,238 A	10/1987	Tamir	5,778,709 A	7/1998	Hsu
4,779,435 A	10/1988	Farrow	D398,830 S	9/1998	Winner
D330,844 S	* 11/1992	Chang ..... D8/331	5,826,448 A	10/1998	Graham
5,259,222 A	11/1993	Jang	5,836,186 A	11/1998	Winner, Jr.
5,267,458 A	12/1993	Heh	5,842,361 A	12/1998	Banez
5,299,438 A	* 4/1994	Chen ..... 70/209	5,855,128 A	1/1999	Voiculescu
5,329,793 A	7/1994	Chen	5,865,044 A	2/1999	Wu
5,488,844 A	2/1996	Winner	5,870,912 A	2/1999	Vito
D369,738 S	* 5/1996	Hull, Jr. et al. .... D8/331	5,881,587 A	3/1999	Vito
5,513,506 A	5/1996	Ricalde	5,887,464 A	3/1999	Perez
D372,418 S	8/1996	Winner	5,901,586 A	5/1999	Hale
5,598,142 A	1/1997	Winner, Jr.	5,906,121 A	5/1999	Mankarious
5,600,979 A	2/1997	Winner et al.	5,921,115 A	7/1999	Winner
5,604,384 A	2/1997	Carlo et al.	D412,826 S	* 8/1999	Calpito ..... D8/331
5,613,383 A	3/1997	Banez	5,996,721 A	* 12/1999	Winner
5,635,899 A	6/1997	Carlo et al.	6,029,483 A	* 2/2000	Daniels
5,653,133 A	8/1997	Passantino	6,089,055 A	* 7/2000	Vito
D383,372 S	9/1997	Winner	6,116,065 A	* 9/2000	Hale
5,671,620 A	9/1997	Carvey et al.	D432,390 S	* 10/2000	Geringer et al. .... D8/331
5,673,575 A	10/1997	Carlo et al.	6,131,426 A	* 10/2000	Tarnofsky
5,677,668 A	10/1997	Winner, Jr.	6,192,724 B1	* 2/2001	Vito
5,704,233 A	1/1998	Farshad	6,202,456 B1	* 3/2001	Vickers
5,709,113 A	1/1998	Godfrey	6,212,920 B1	* 4/2001	Winner
D391,142 S	2/1998	Winner	6,223,568 B1	* 5/2001	Wu
5,730,008 A	3/1998	Case et al.	6,223,569 B1	* 5/2001	Wu
5,735,149 A	4/1998	Winner, Jr.	6,230,527 B1	* 5/2001	Wu
5,755,123 A	5/1998	Winner, Jr.	6,240,753 B1	* 6/2001	Wu
5,765,415 A	6/1998	Savinsky			

\* cited by examiner

FIG. 1

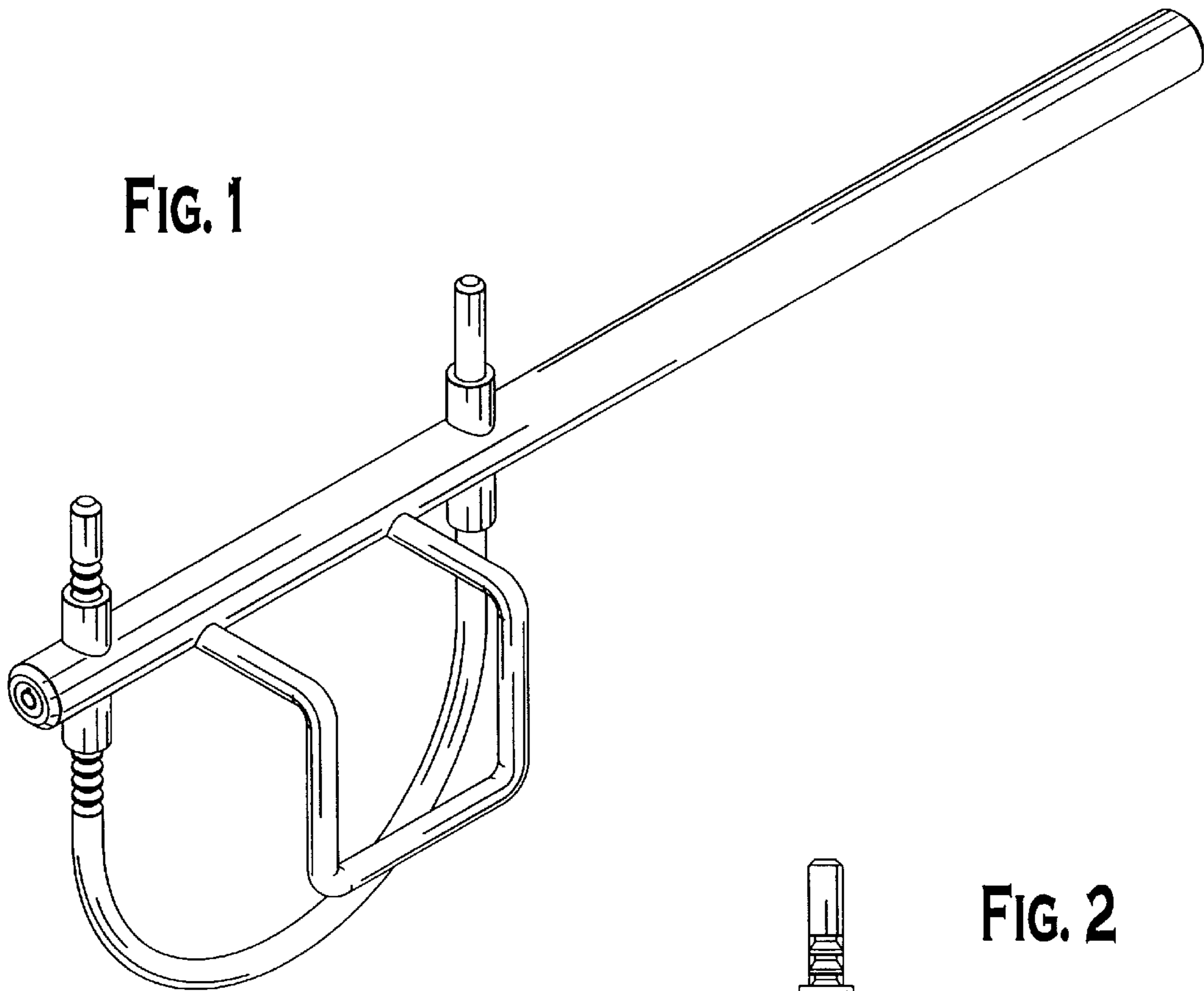


FIG. 2

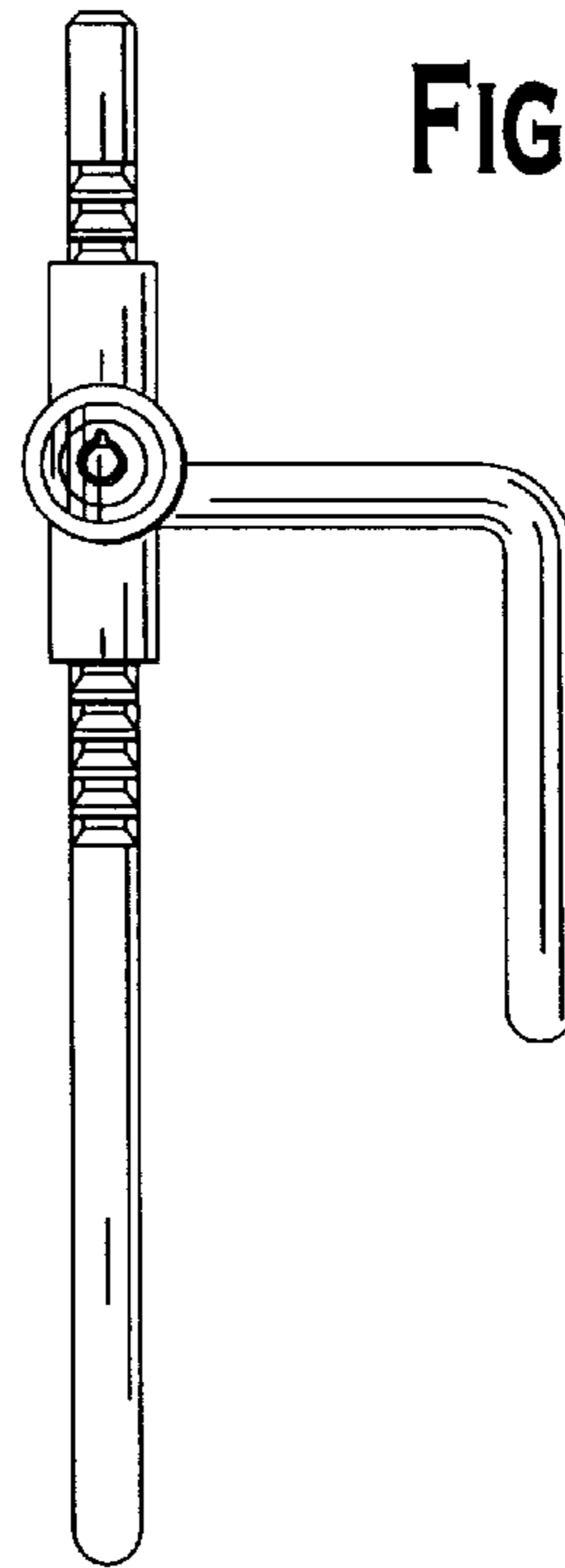
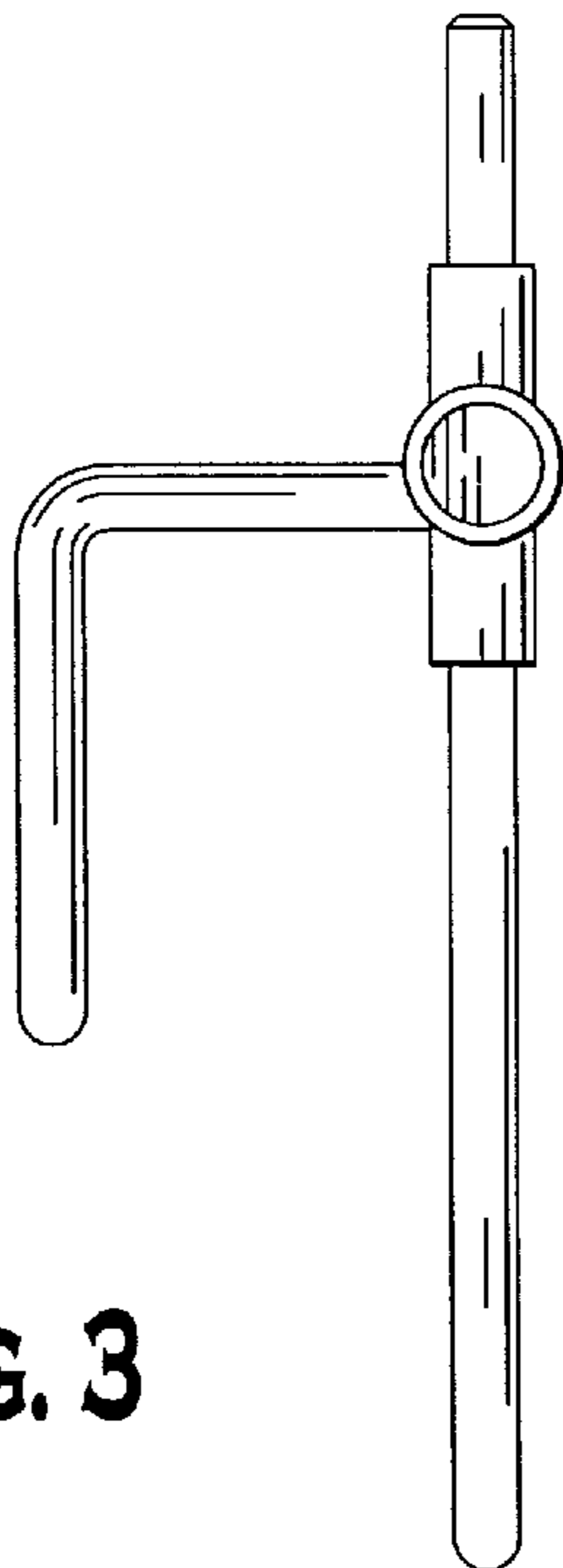


FIG. 3



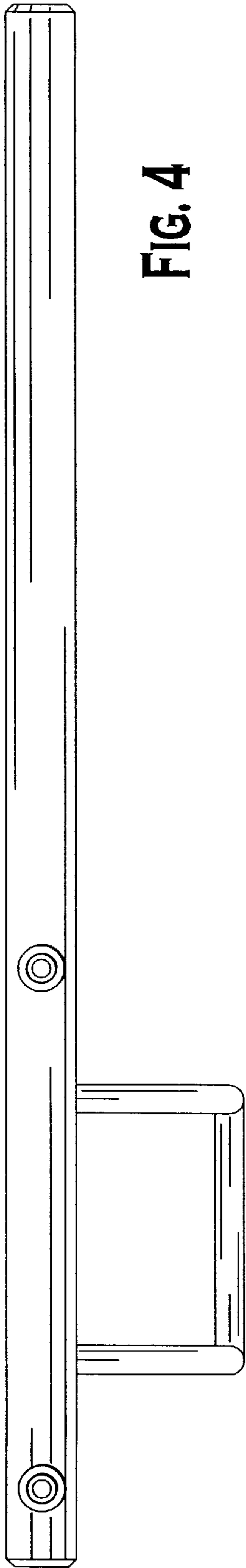


FIG. 4

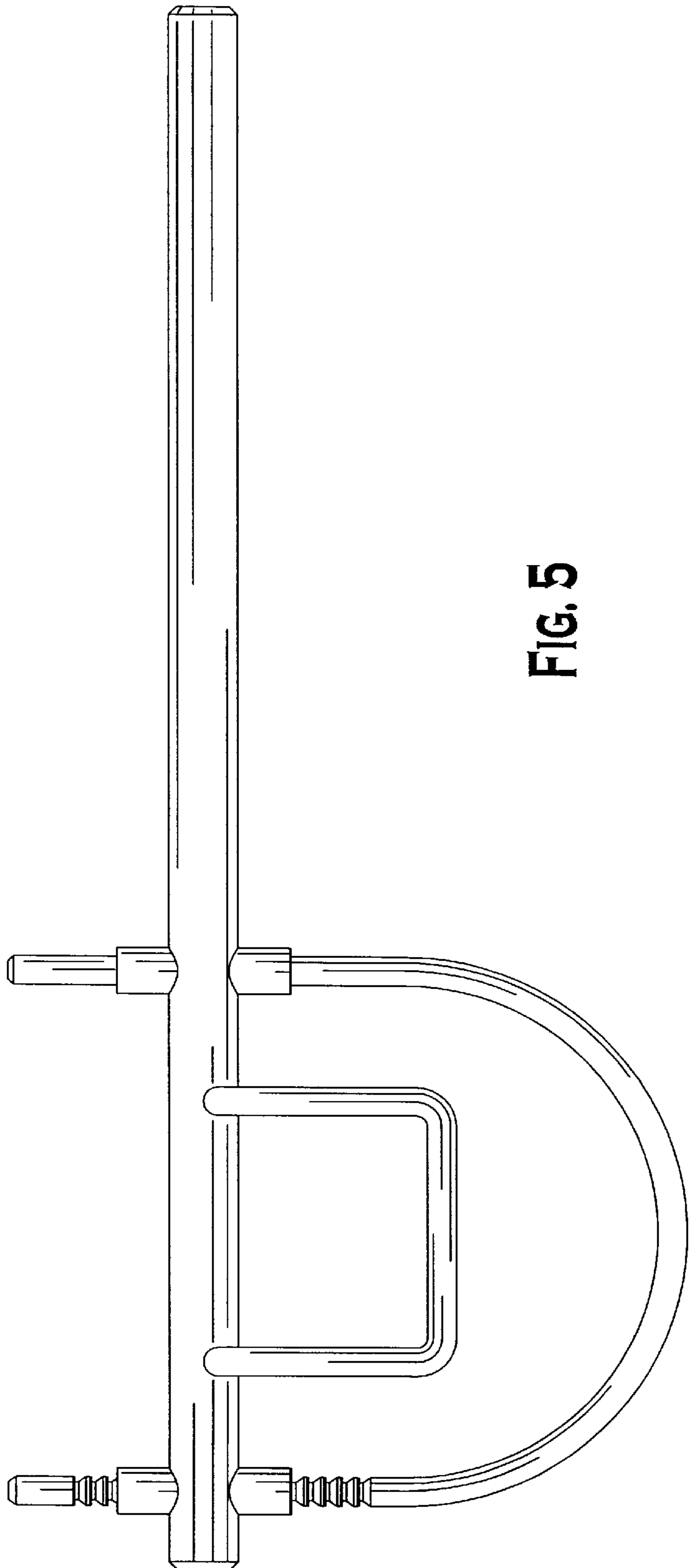


FIG. 5

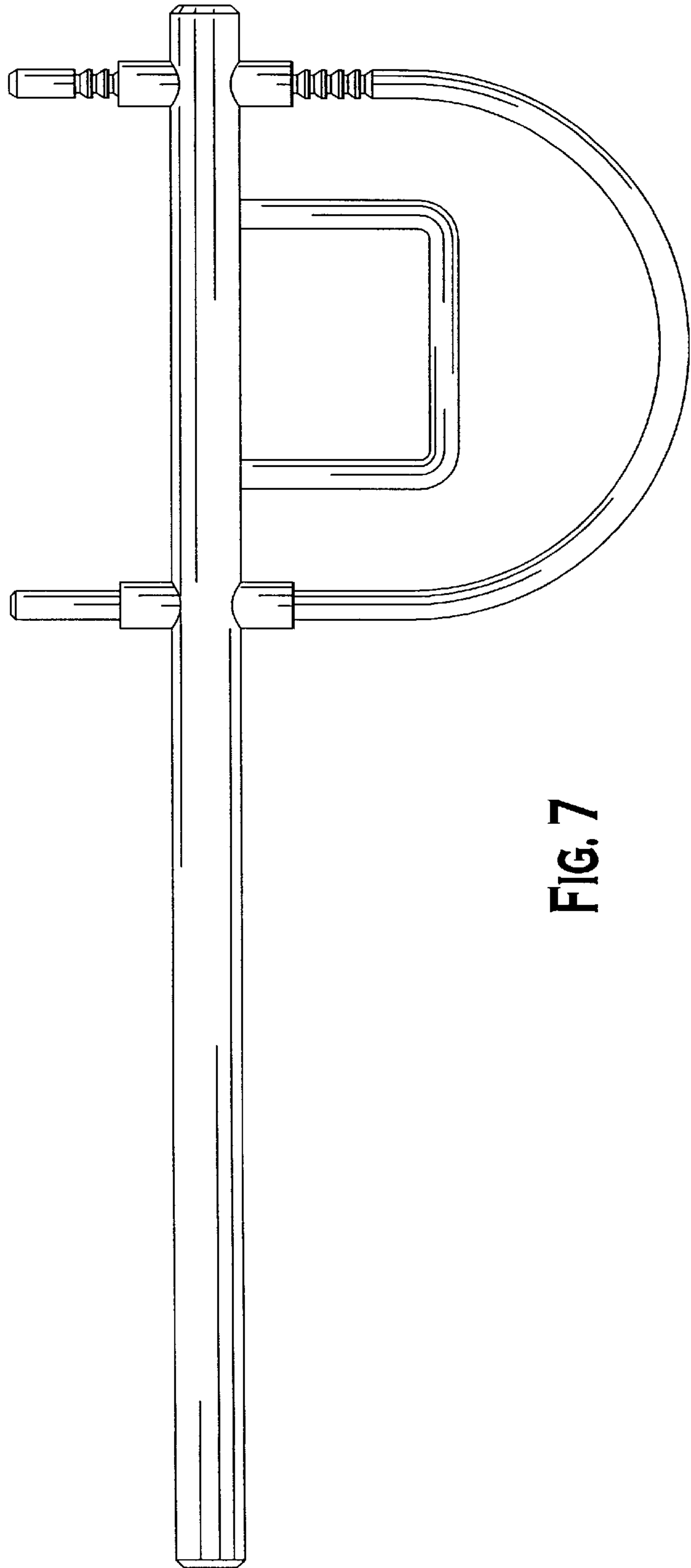
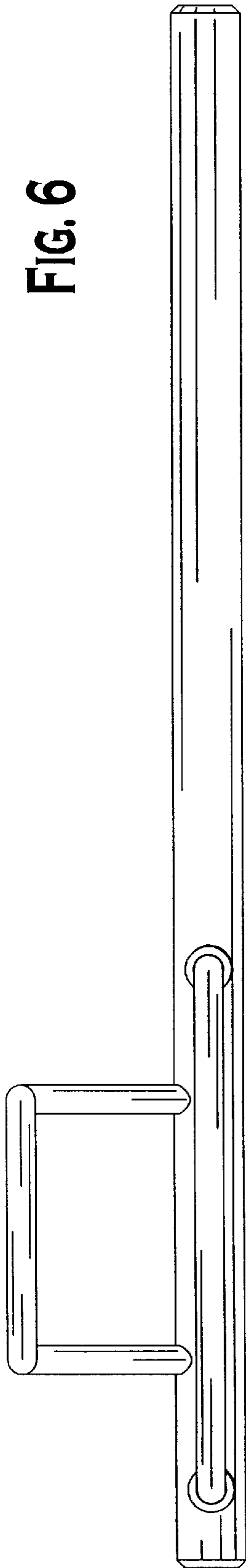




FIG. 8

