



US00D465720S

(12) **United States Design Patent**
Persson

(10) **Patent No.:** **US D465,720 S**

(45) **Date of Patent:** **** Nov. 19, 2002**

(54) **SPRING LATCH**

5,292,191 A * 3/1994 Slivon 292/128 X
6,129,395 A * 10/2000 Schlesener et al. 292/128

(75) Inventor: **Hans Persson**, Bollnäs (SE)

* cited by examiner

(73) Assignee: **Nefab AB**, Alfta (SE)

(**) Term: **14 Years**

Primary Examiner—Jennifer Rivard

(21) Appl. No.: **29/134,272**

(74) *Attorney, Agent, or Firm*—Dilworth & Barrese LLP

(22) Filed: **Dec. 18, 2000**

(30) **Foreign Application Priority Data**

Jun. 19, 2000 (SE) 00-1113

(51) **LOC (7) Cl.** **08-01**

(52) **U.S. Cl.** **D8/331**

(58) **Field of Search** D8/330, 331, 343;
24/295, 458; 292/101, 128, 129, 107, 228

(56) **References Cited**

U.S. PATENT DOCUMENTS

3,288,508 A * 11/1966 Maize et al. 292/128

(57) **CLAIM**

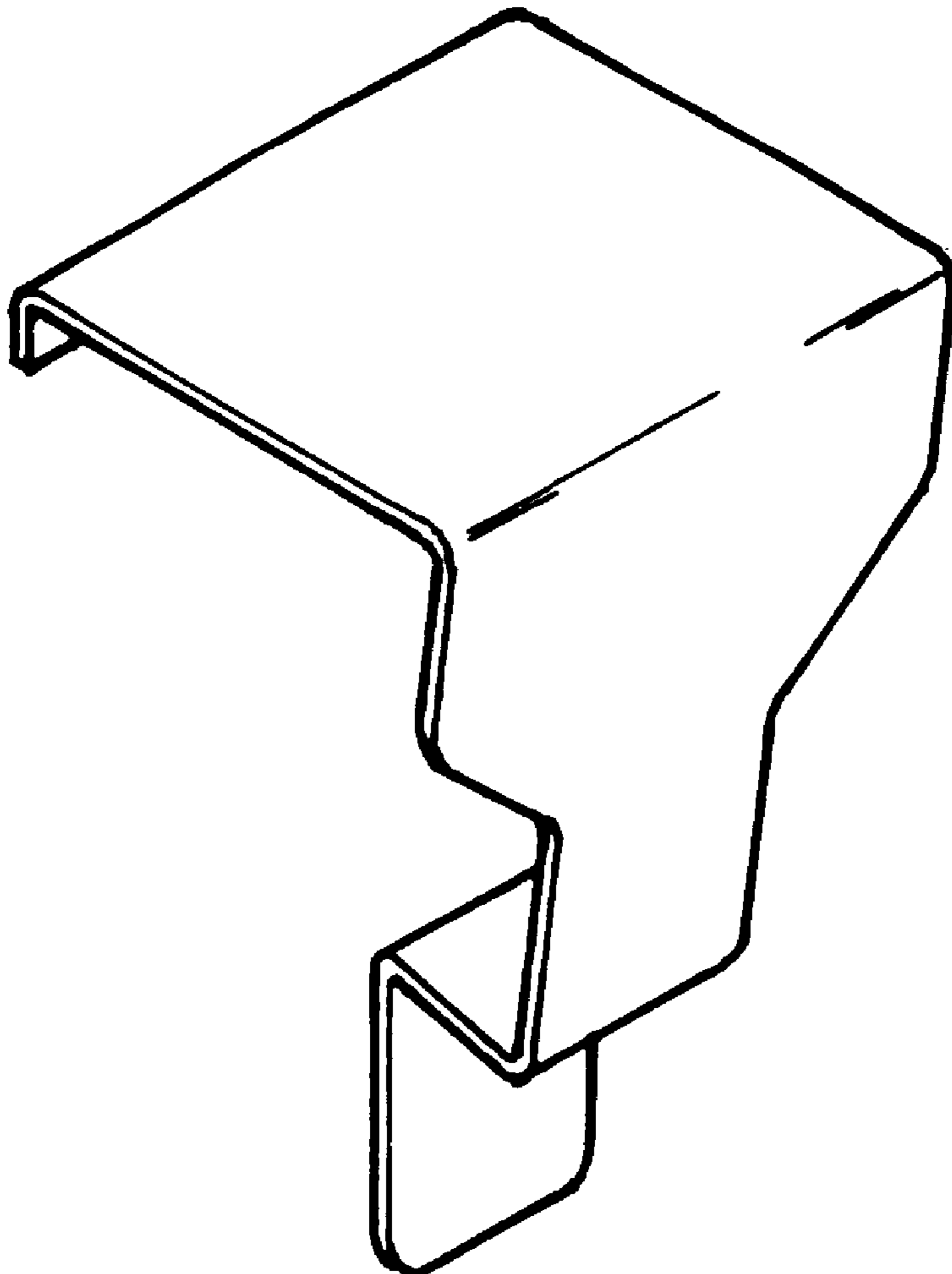
I claim the ornamental design for a spring latch, as shown.

DESCRIPTION

FIG. 1 is a perspective view of the spring latch; and,

FIG. 2 is a perspective view of the spring latch of FIG. 1 as viewed in another direction.

1 Claim, 1 Drawing Sheet



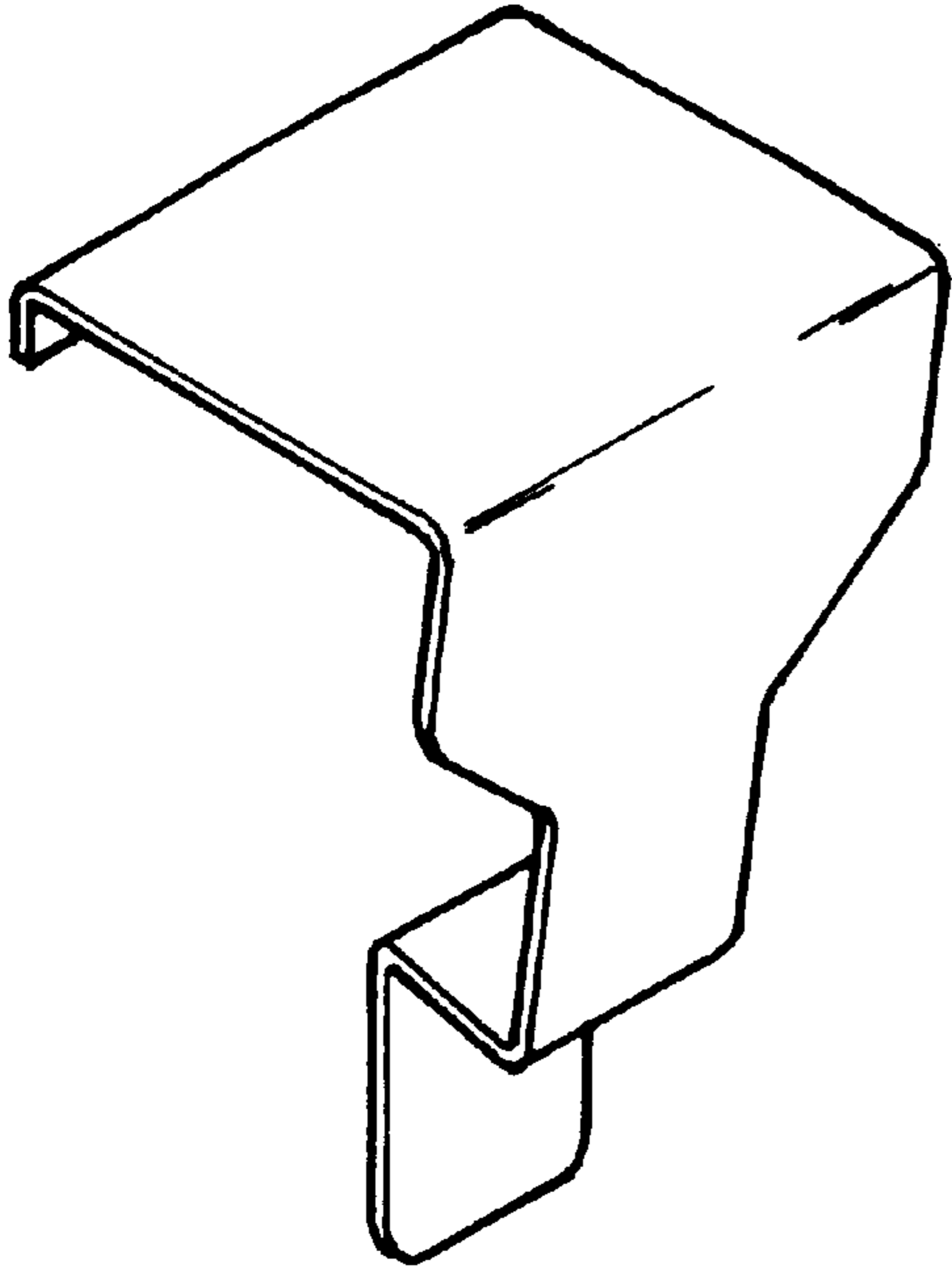


Fig 1

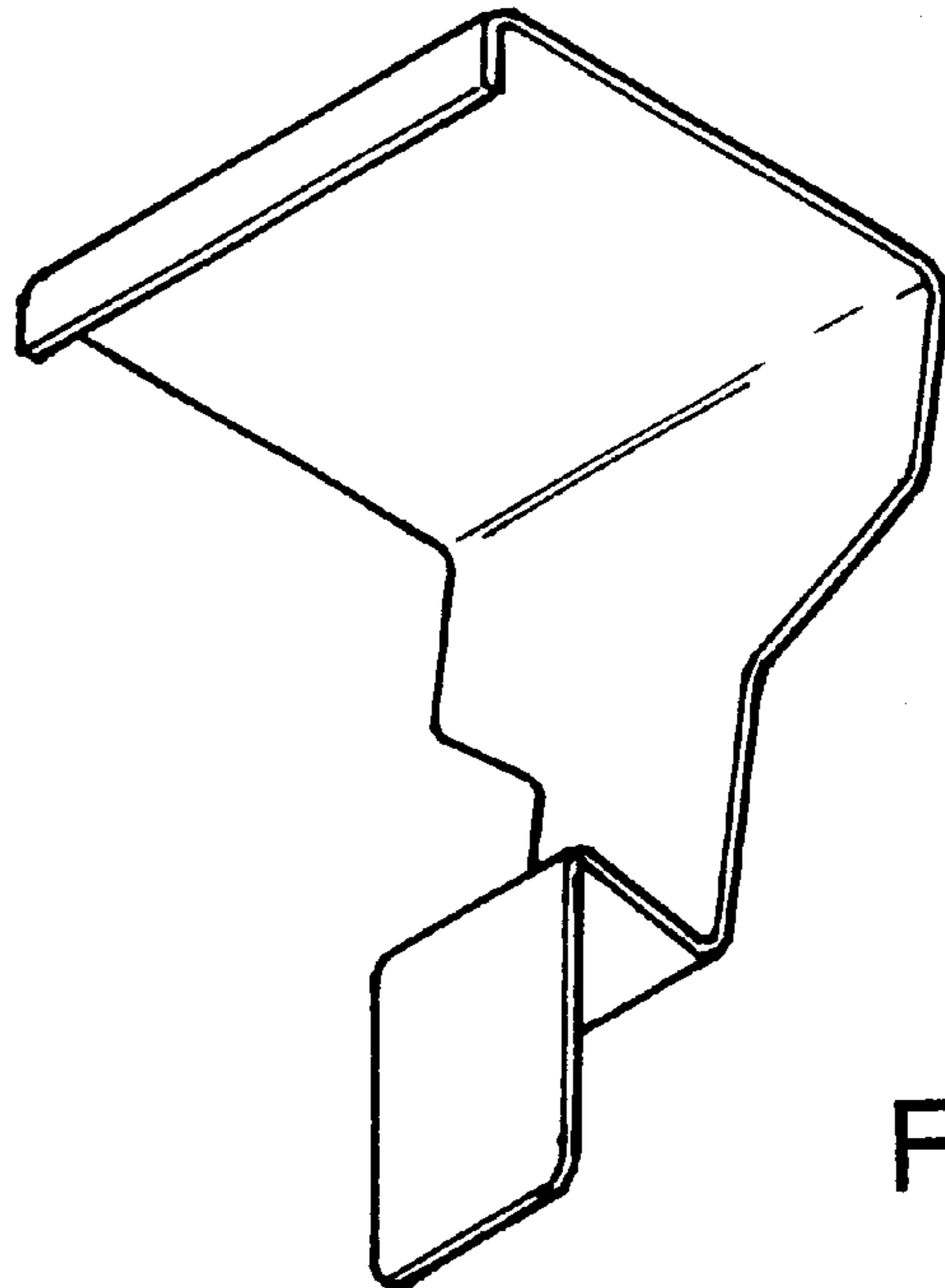


Fig 2