



US00D465718S

(12) **United States Design Patent**
Sullivan et al.

(10) **Patent No.:** **US D465,718 S**

(45) **Date of Patent:** **** Nov. 19, 2002**

(54) **LIFTING HANDLE FOR A TOILET SEAT**

(76) Inventors: **Edward W. Sullivan**, 124 Windsor Rd., Alburdis, PA (US) 18011; **Nancy A. Sullivan**, 124 Windsor Rd., Alburdis, PA (US) 18011

(**) Term: **14 Years**

(21) Appl. No.: **29/144,404**

(22) Filed: **Jul. 2, 2001**

(51) **LOC (7) Cl.** **08-06**

(52) **U.S. Cl.** **D8/320; D8/319**

(58) **Field of Search** D8/14, 319, 300; D23/311; 4/246.1, 246.3; 16/422, 427, 905; 294/19.1

(56) **References Cited**

U.S. PATENT DOCUMENTS

2,473,082	A	6/1949	Warner	
4,150,446	A	4/1979	Crocker	
5,060,318	A	10/1991	Jaskiewicz	
5,398,374	A	* 3/1995	Betancourt	16/110.1
5,459,889	A	* 10/1995	Jamison	4/246.1
5,511,252	A	4/1996	Kreemer	
5,727,258	A	3/1998	Derouin	

D395,078	S	*	6/1998	Todd	D23/311
D406,884	S		3/1999	Goss		
D419,228	S	*	1/2000	Hewitt	D23/311
D433,110	S	*	10/2000	Sikorski	D23/311

* cited by examiner

Primary Examiner—B. J. Bullock

(74) *Attorney, Agent, or Firm*—Donald R. Schoonover

(57) **CLAIM**

I claim the ornamental design for a lifting handle for a toilet seat, as shown and described.

DESCRIPTION

FIG. 1 is a perspective view of the lifting handle for a toilet seat embodying the design of the present invention.

FIG. 2 is a front elevational view thereof;

FIG. 3 is a rear elevational view thereof;

FIG. 4 is a side elevational view thereof;

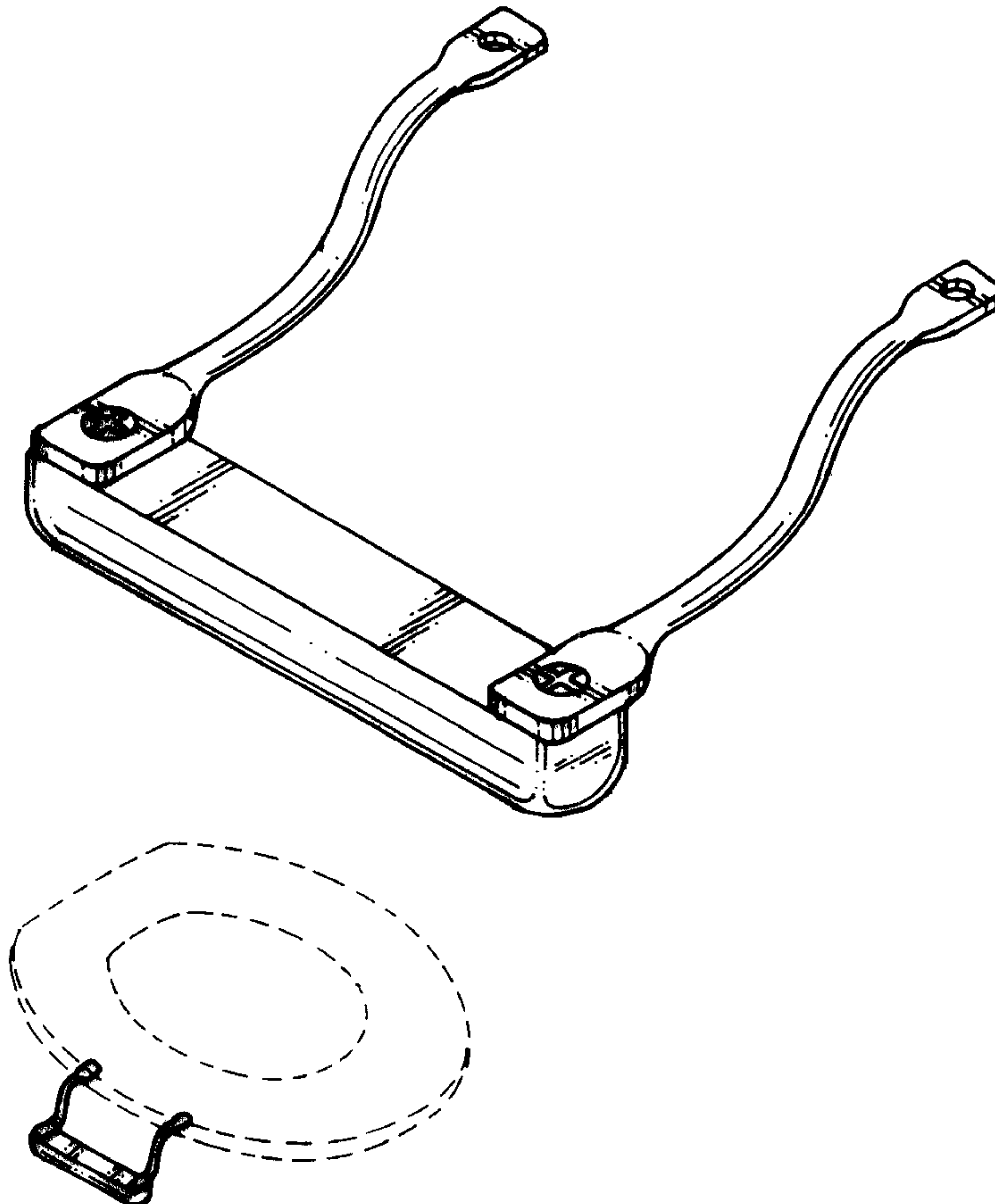
FIG. 5 is a bottom plan view thereof;

FIG. 6 is a top plan view thereof; and,

FIG. 7 is a reduced perspective view of the lifting handle in use.

The broken line showing of environment is for illustrative purposes only and forms no part of the claimed design.

1 Claim, 4 Drawing Sheets



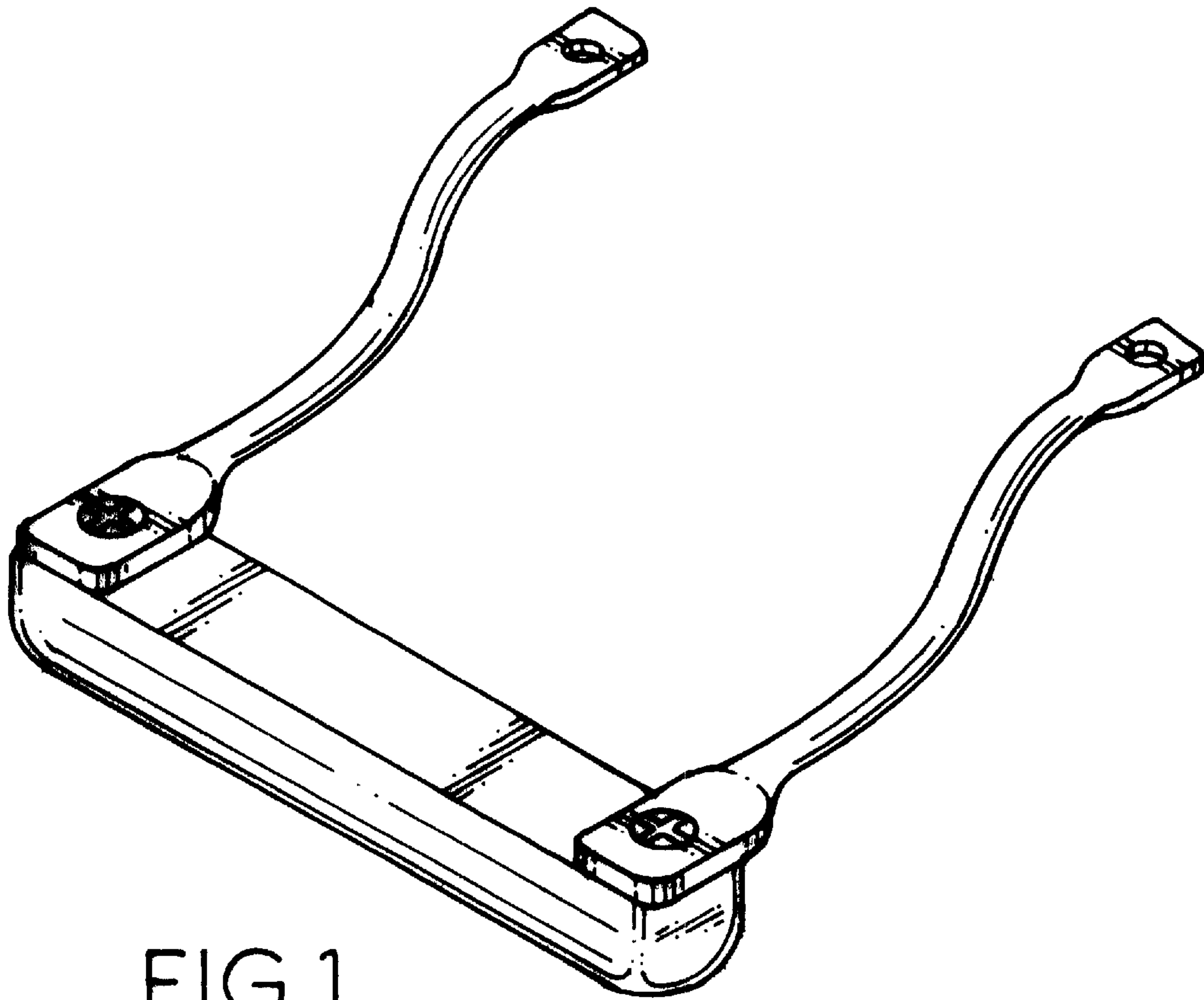


FIG. 1.

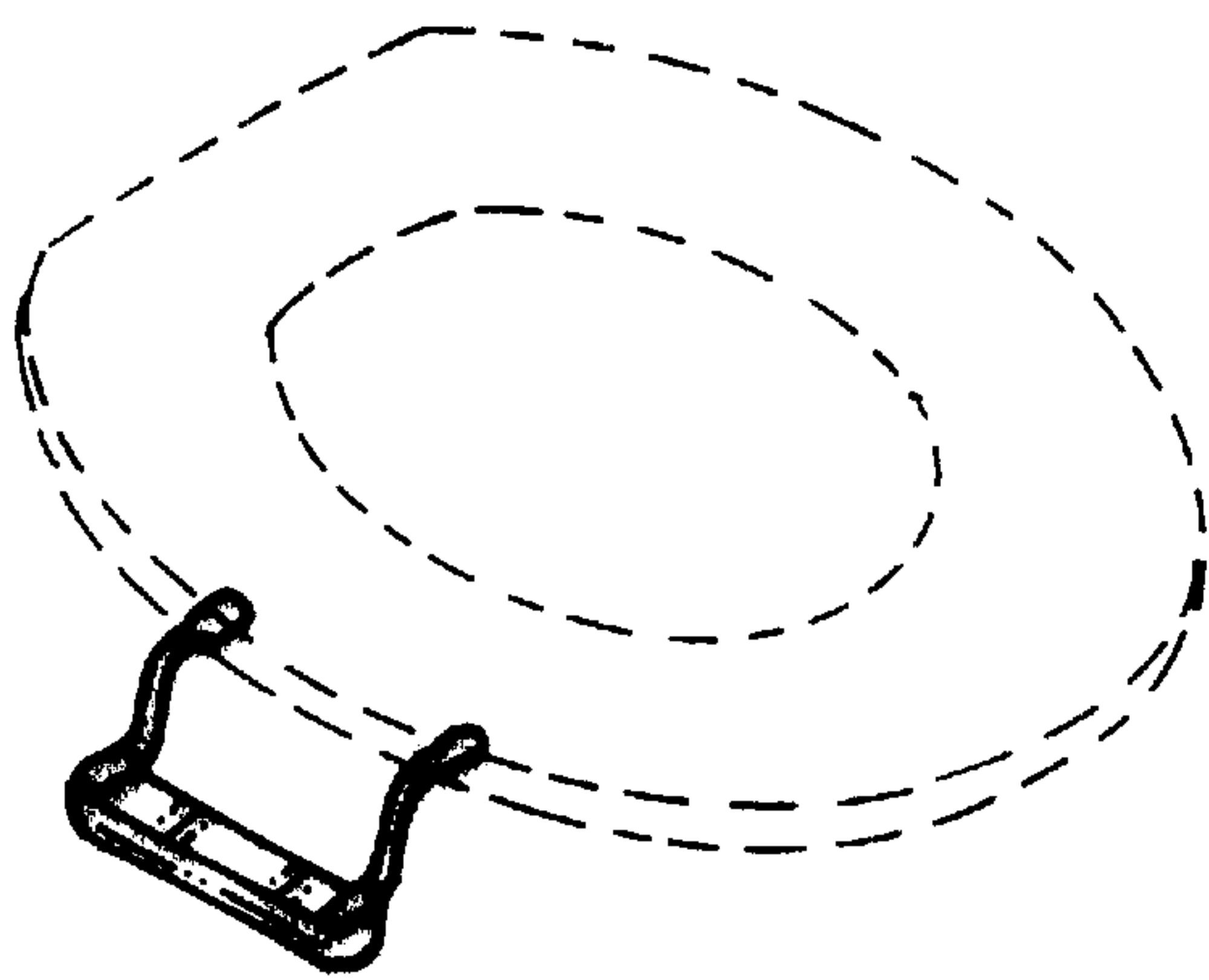


FIG. 7.

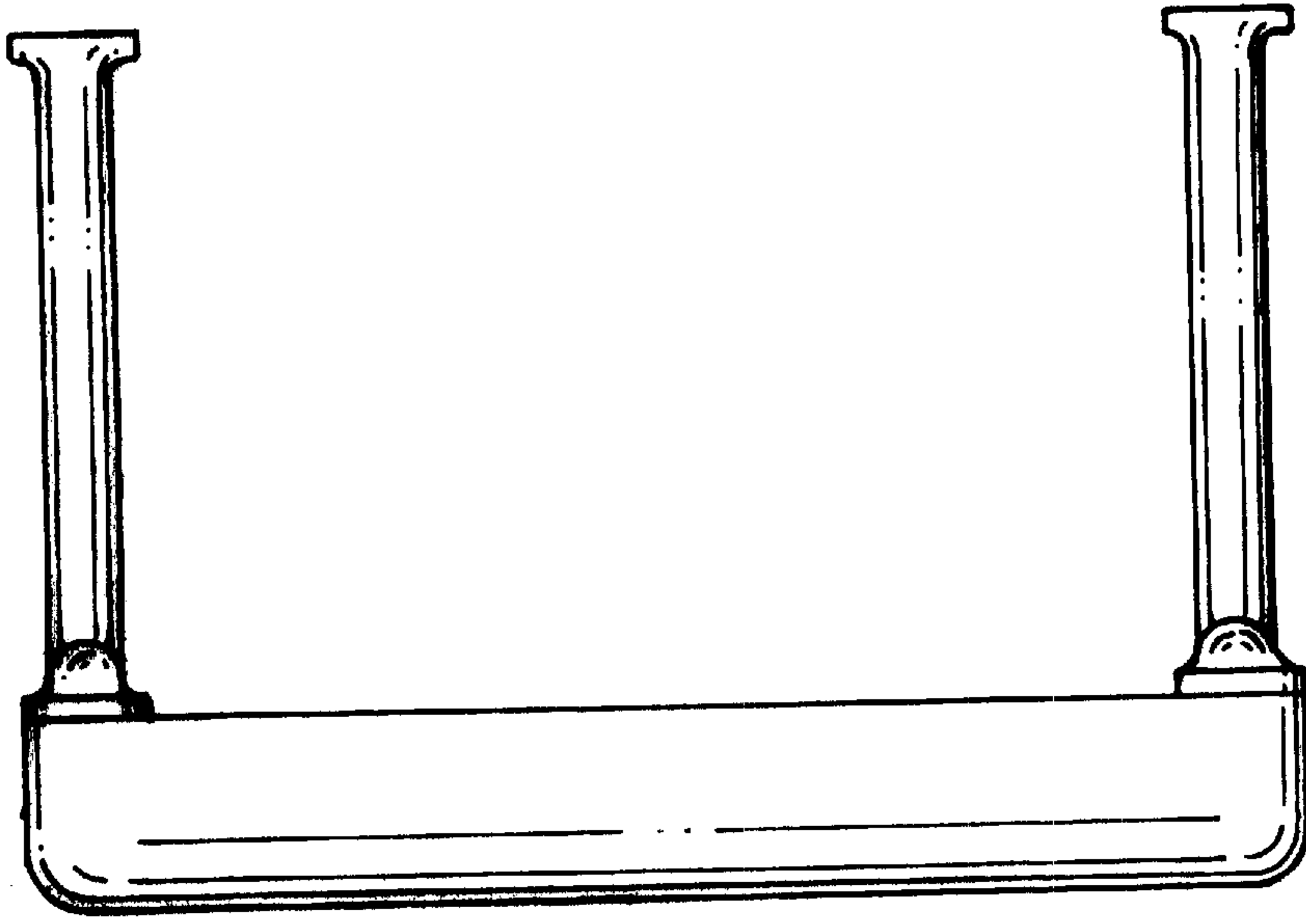


FIG. 2.

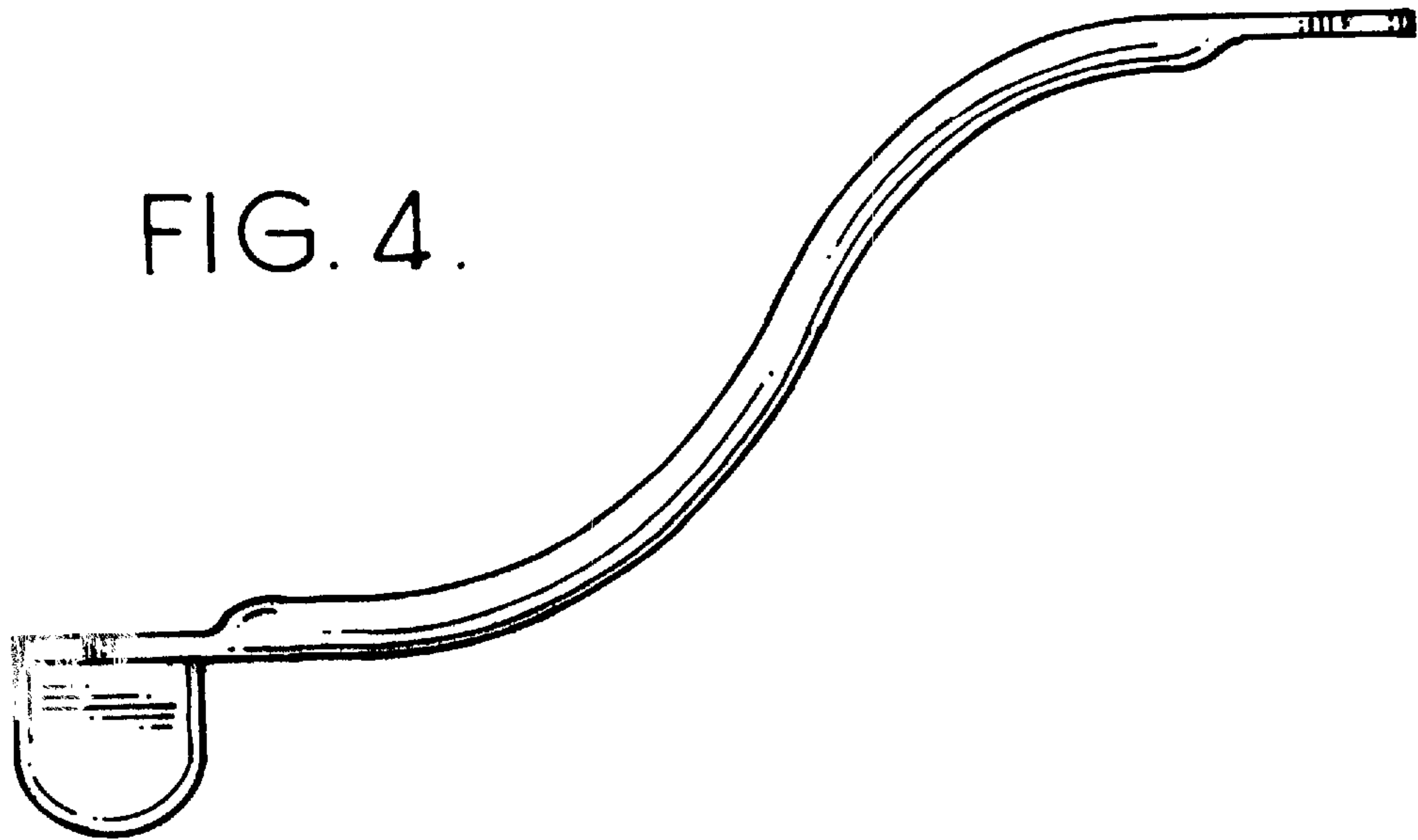


FIG. 4.

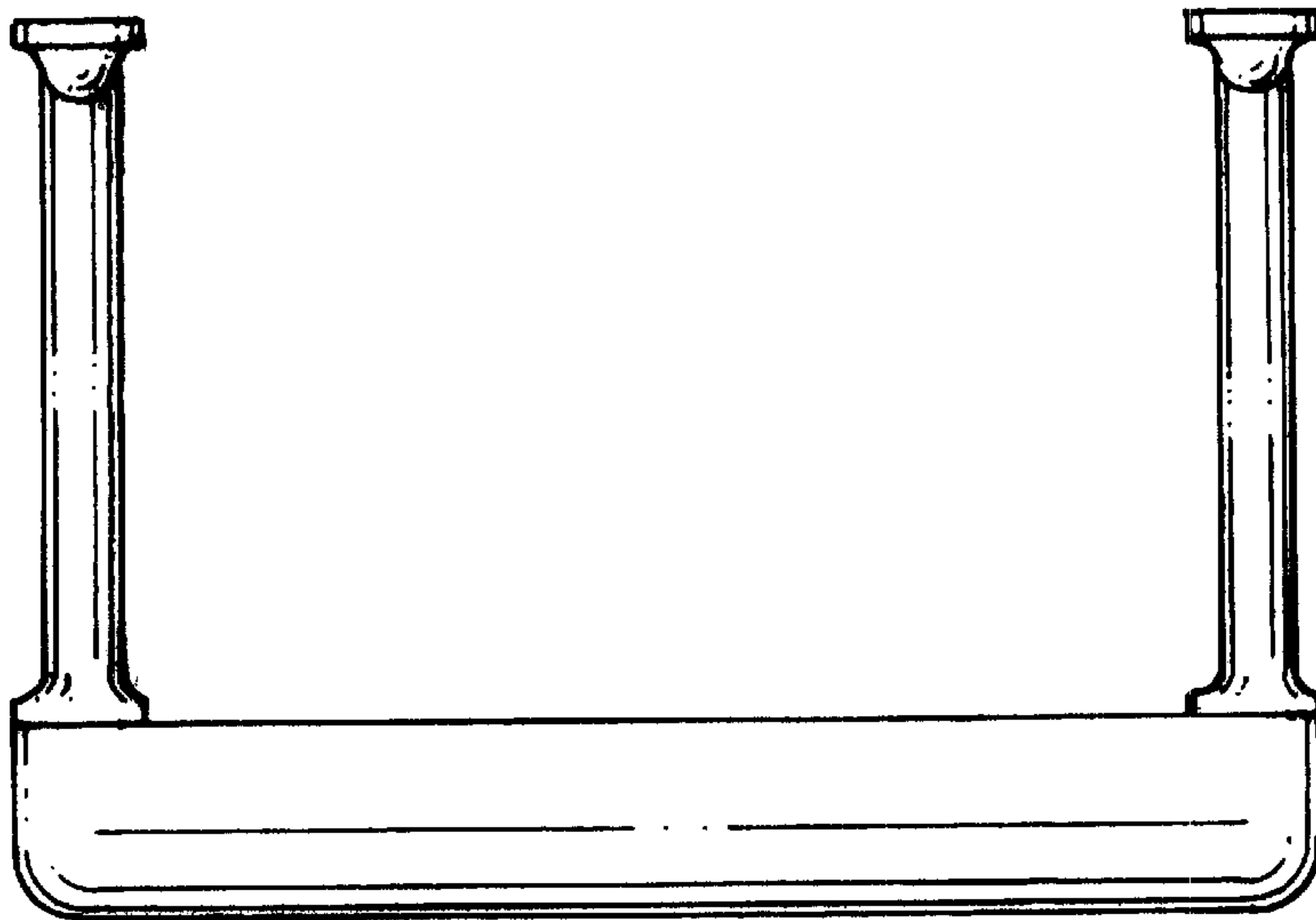


FIG. 3.

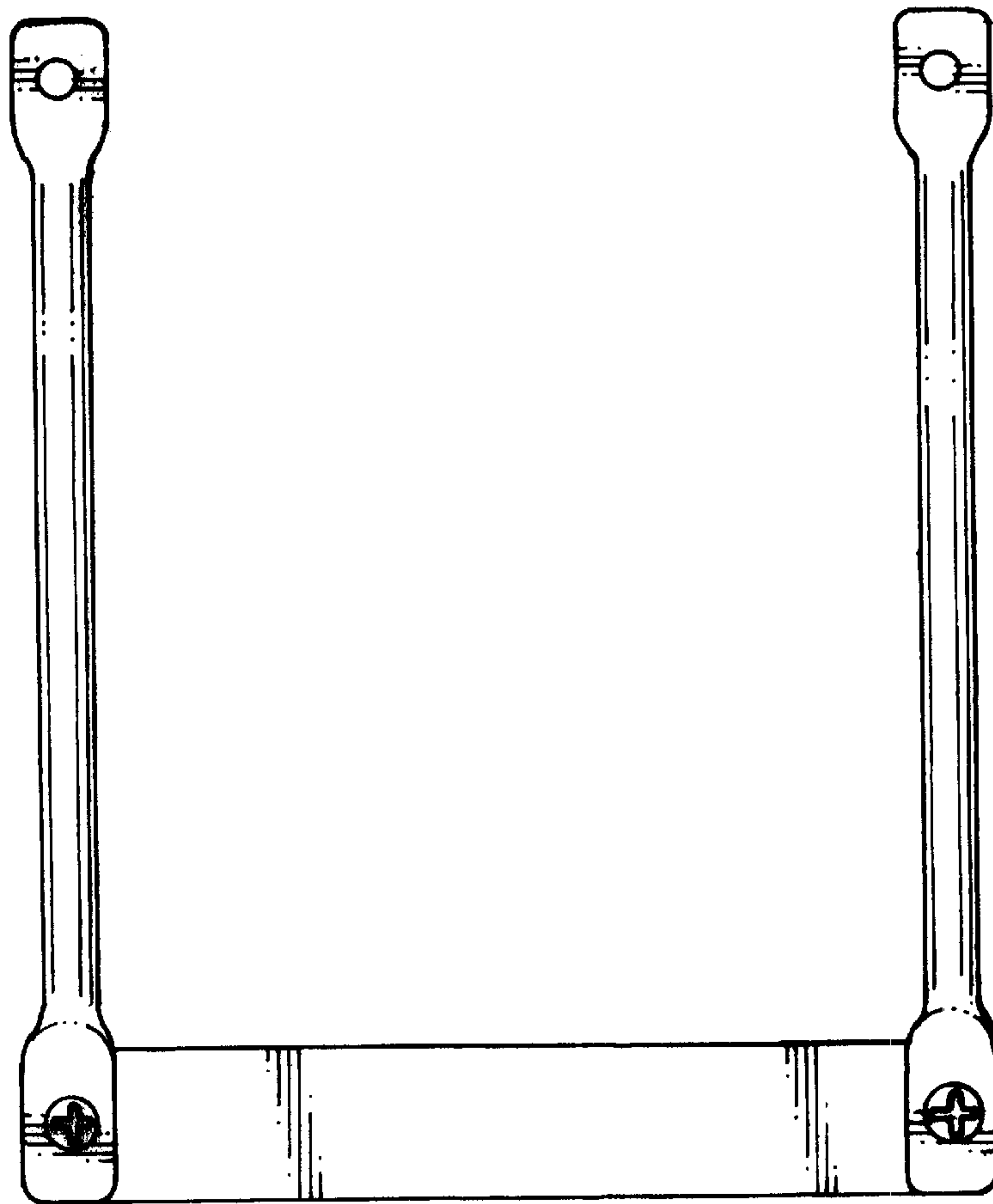


FIG. 5.

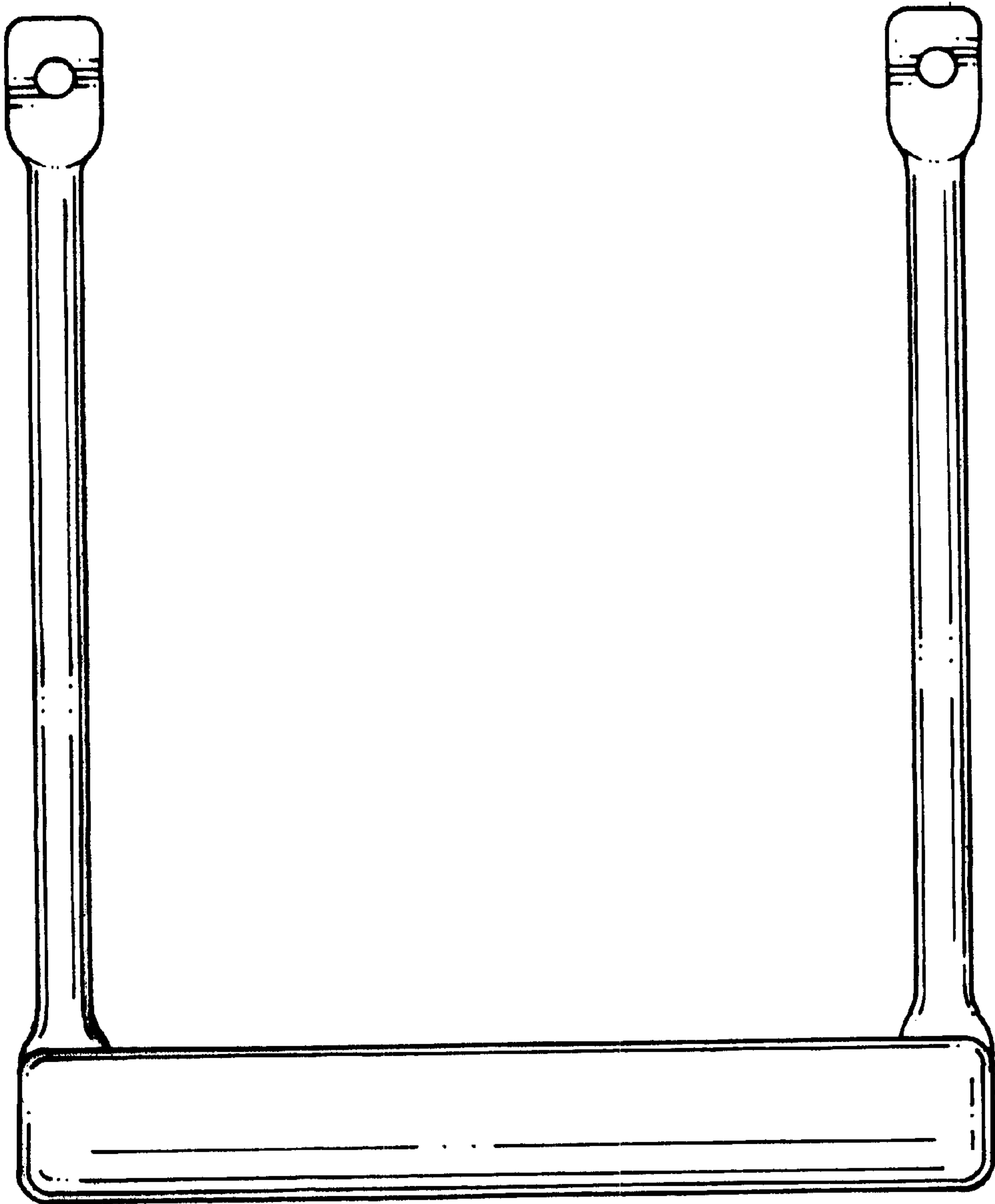


FIG. 6.