



US00D465713S

(12) **United States Design Patent**
Keller

(10) **Patent No.:** **US D465,713 S**

(45) **Date of Patent:** **** Nov. 19, 2002**

(54) **MINI JIG SAW**

6,148,931 A * 11/2000 Nyber et al. 173/170
D446,703 S * 8/2001 Netzler D8/64

(75) Inventor: **Guillaume Keller, Coublevic (FR)**

* cited by examiner

(73) Assignee: **Chervon International Trading Co., Ltd. (CN)**

Primary Examiner—Doris V. Coles

Assistant Examiner—Elizabeth A. Albert

(**) Term: **14 Years**

(74) *Attorney, Agent, or Firm*—Lackebach Siegel LLP

(21) Appl. No.: **29/155,381**

(57) **CLAIM**

(22) Filed: **Feb. 7, 2002**

An ornamental design for a mini jig saw, as shown and described.

(30) **Foreign Application Priority Data**

DESCRIPTION

Sep. 11, 2001 (CN) 01 3 34755

(51) **LOC (7) Cl.** **08-03**

FIG. 1 is a perspective view of a mini jig saw showing my new design;

(52) **U.S. Cl.** **D8/64**

FIG. 2 is a right side view of the mini jig saw of FIG. 1;

(58) **Field of Search** D8/61, 62, 63,
D8/64, 66, 67, 68, 69, 70; 30/374, 375,
376, 377, 388, 389, 390, 391, 392, 393,
394; 173/15, 47, 48, 109, 169, 170, 216,
217; 310/50

FIG. 3 is a left side view of the mini jig saw of FIG. 1;

FIG. 4 is a back side view of the mini jig saw of FIG. 1;

FIG. 5 is a front side view of the mini jig saw of FIG. 1;

FIG. 6 is a bottom view of the mini jig saw of FIG. 1; and,

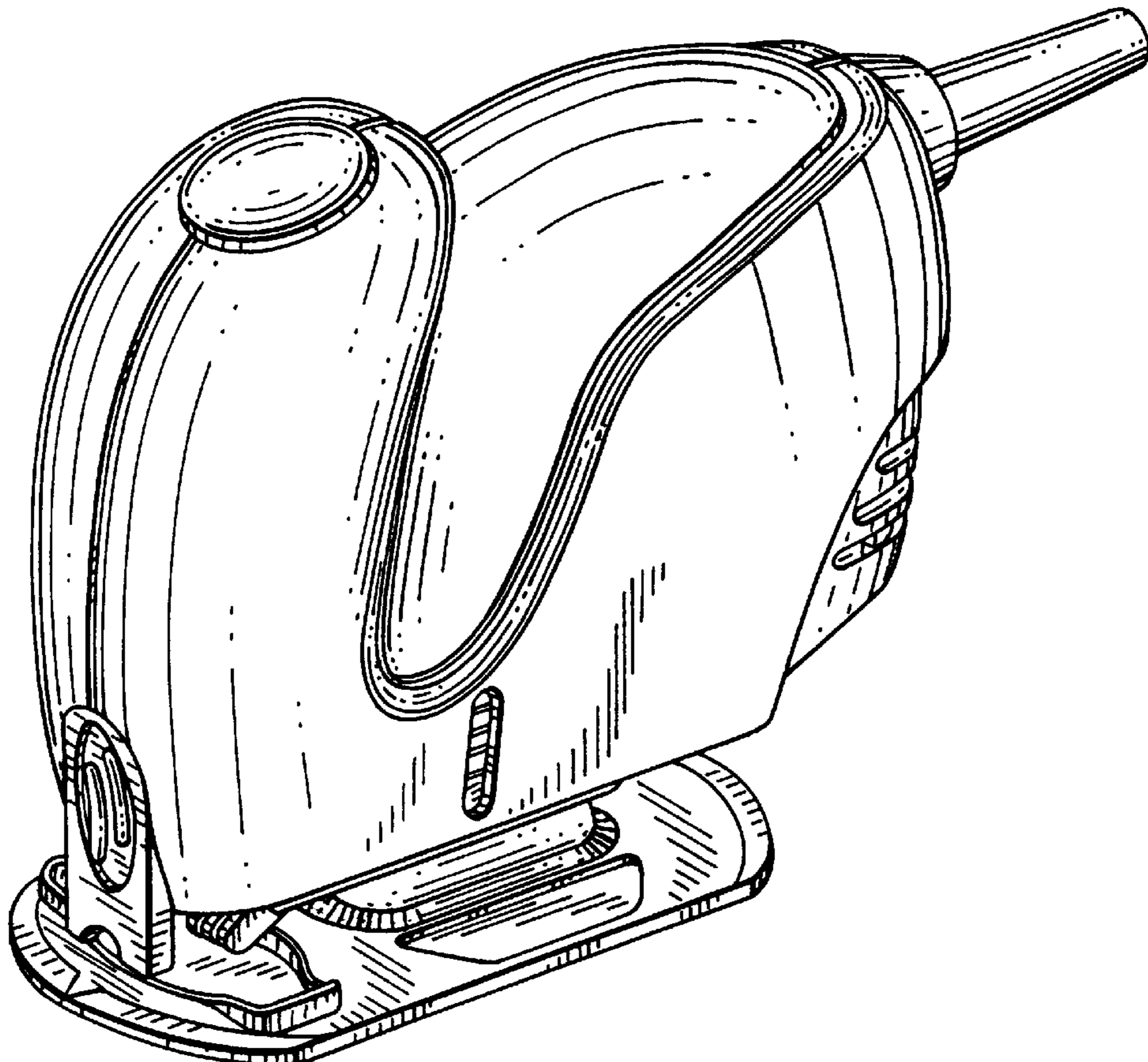
FIG. 7 is a top view of the mini jig saw of FIG. 1.

(56) **References Cited**

U.S. PATENT DOCUMENTS

D147,783 S * 11/1947 Crosby et al. D8/62

1 Claim, 4 Drawing Sheets



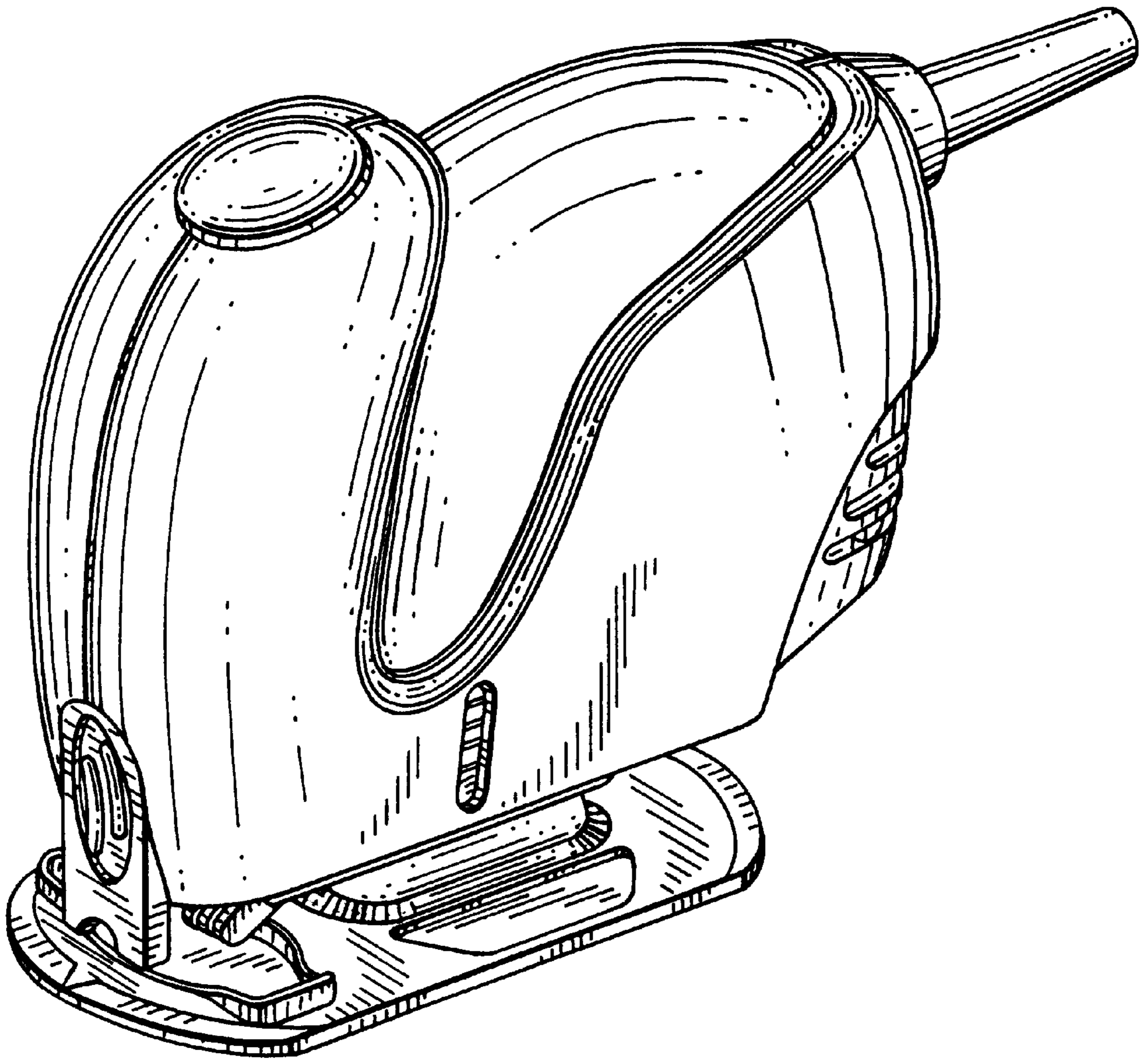


FIG. 1

FIG. 2

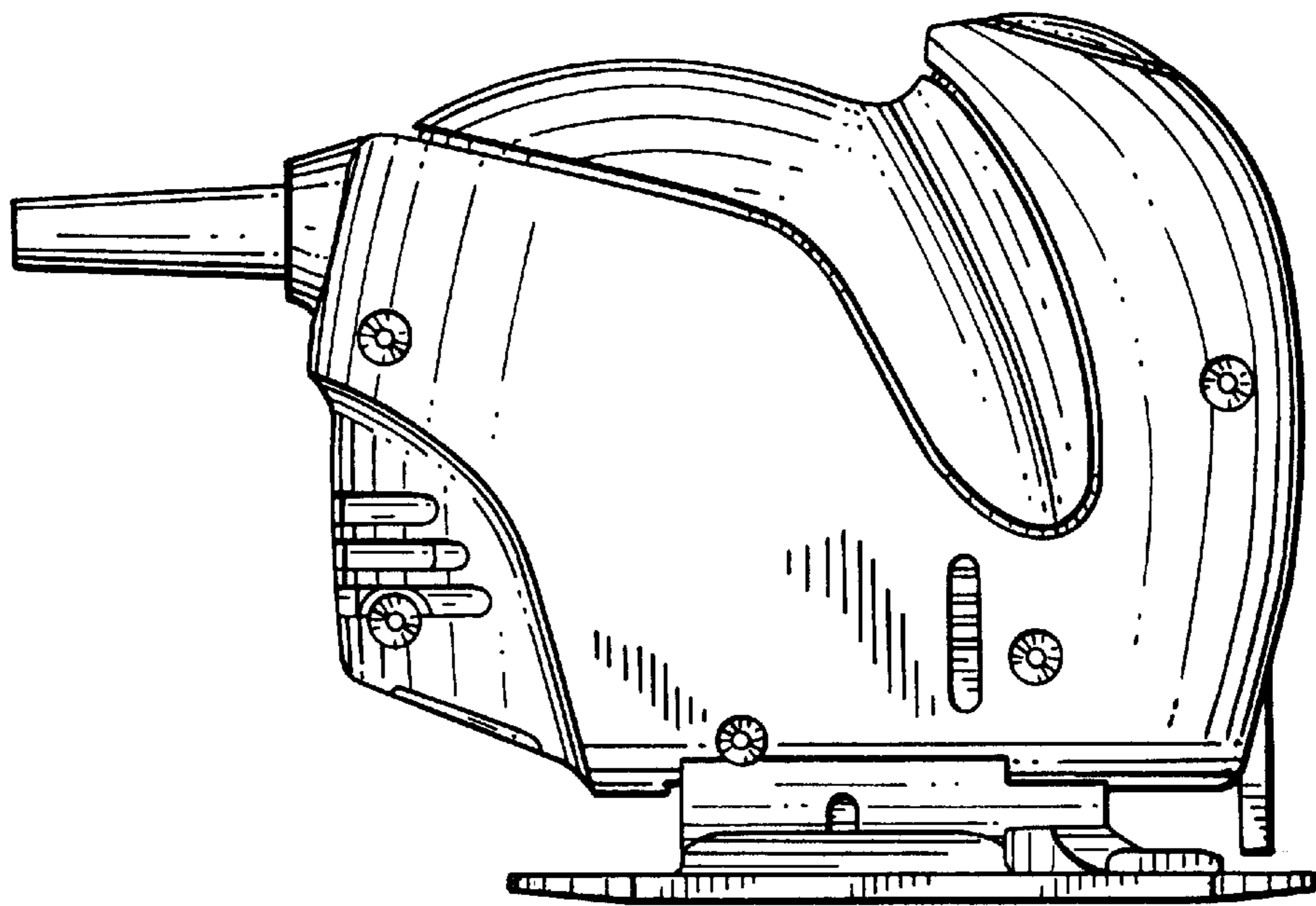
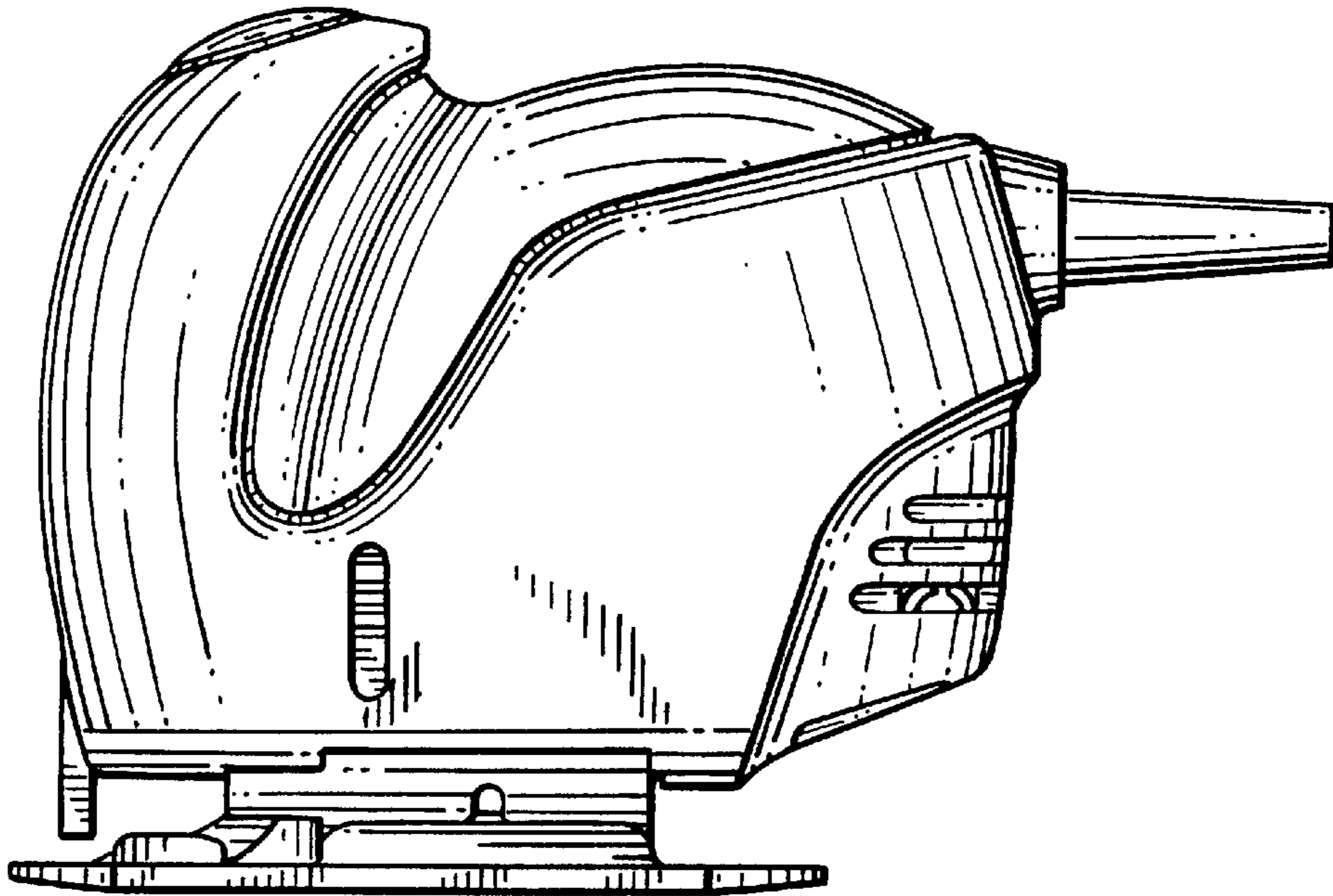


FIG. 3

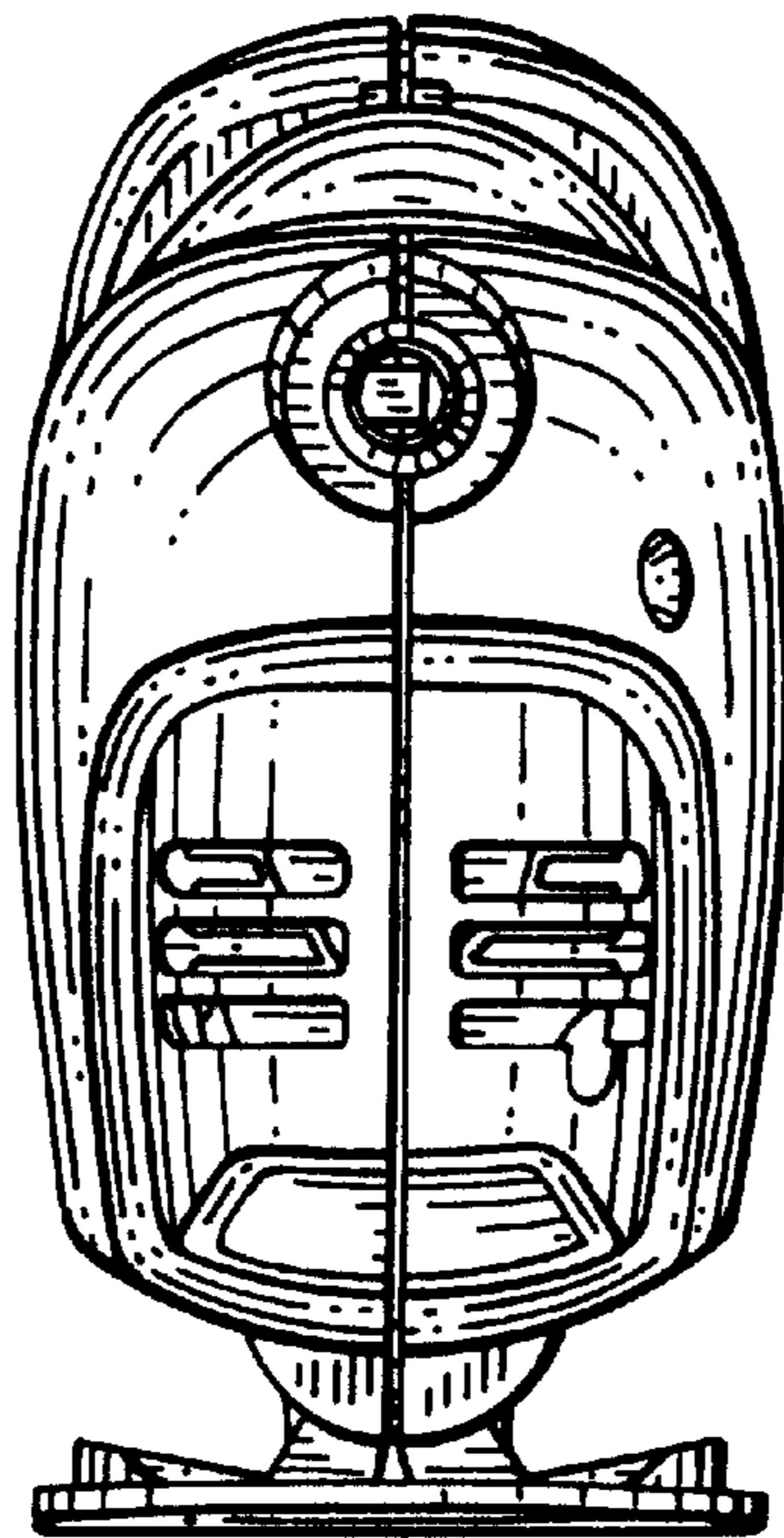


FIG. 4

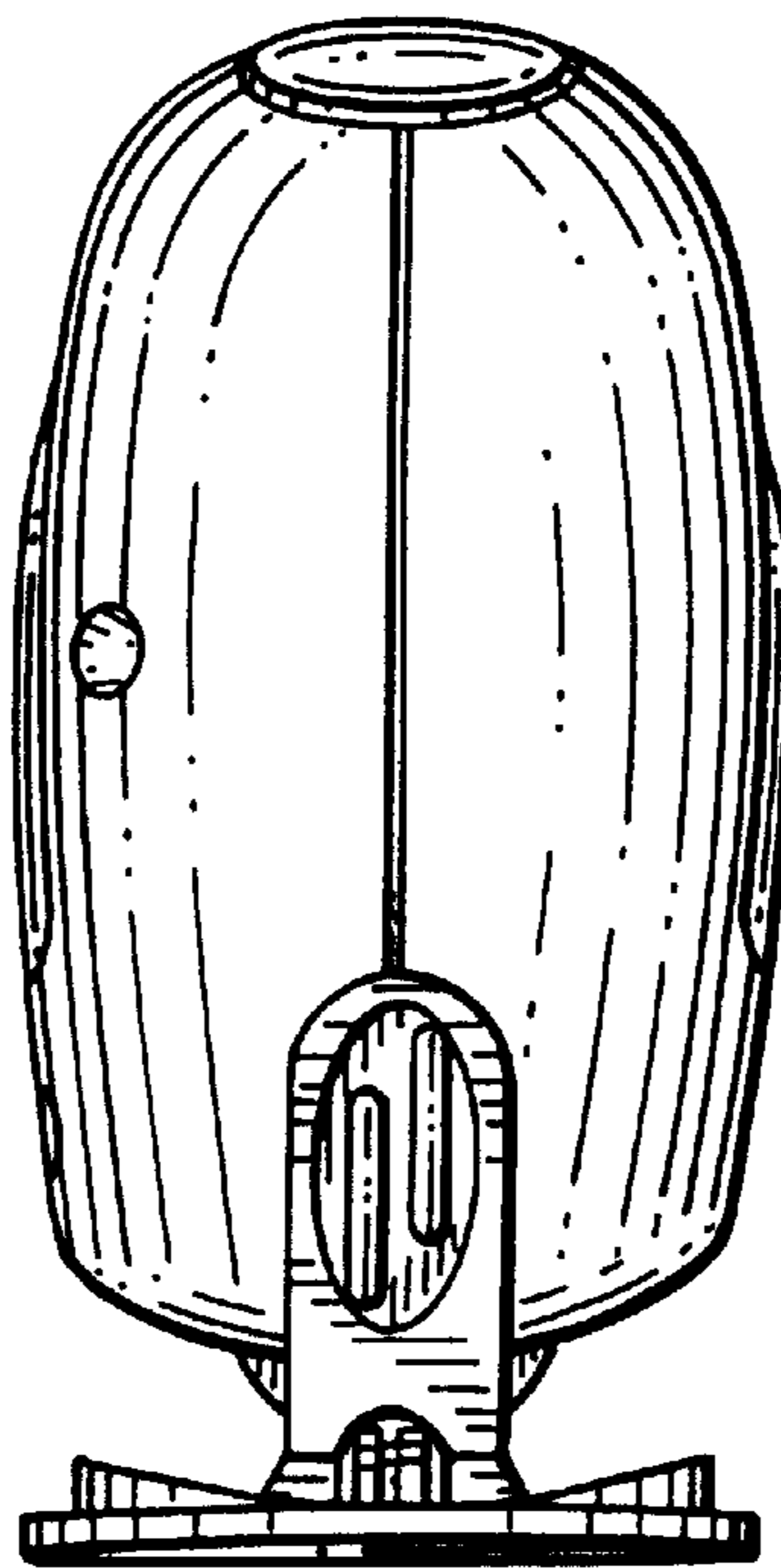


FIG. 5

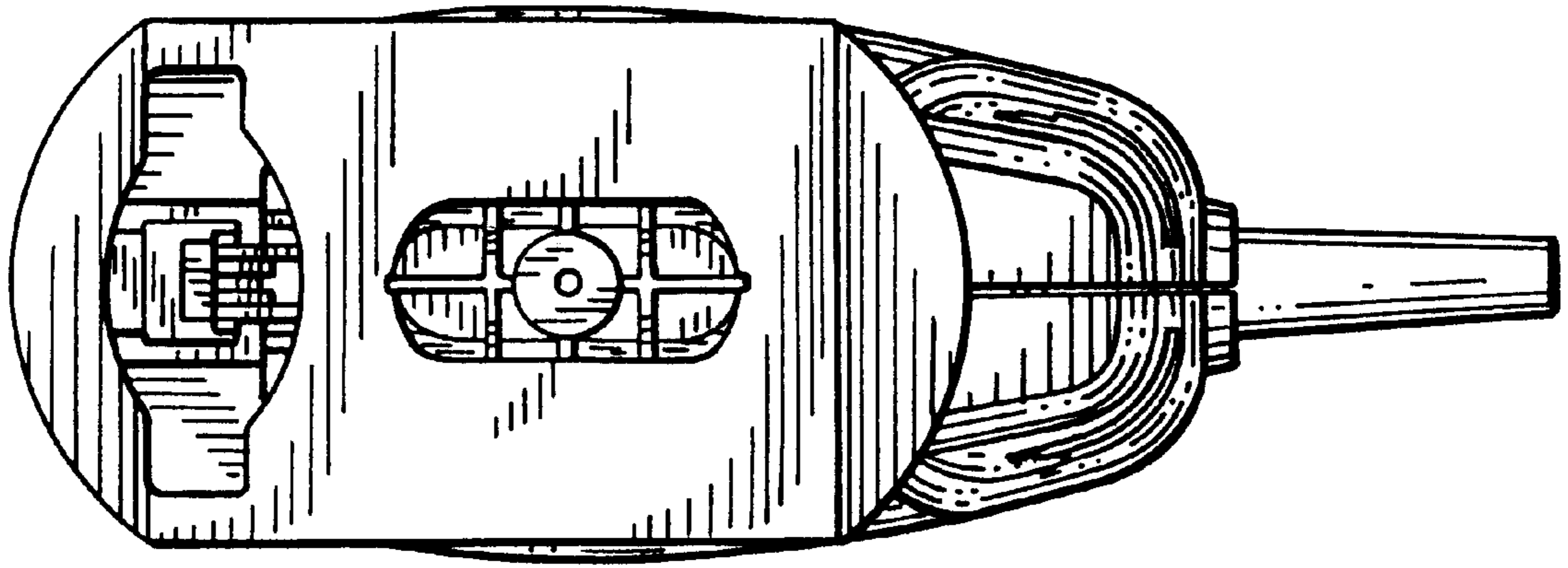


FIG. 6

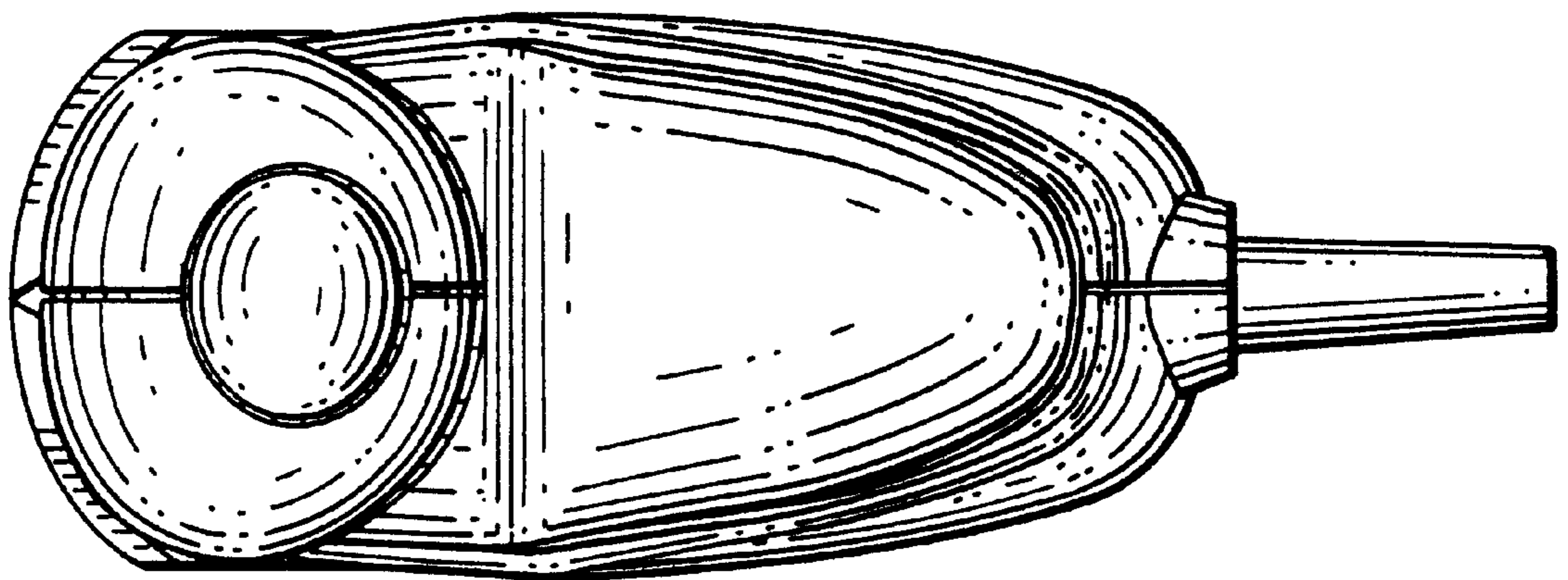


FIG. 7