



US00D465710S

(12) **United States Design Patent**
Kao

(10) **Patent No.:** **US D465,710 S**

(45) **Date of Patent:** **** Nov. 19, 2002**

(54) **CORK EXTRACTOR**

(76) Inventor: **I-Feng Kao**, No. 200, Shi-Ho Road,
West District, Tainan (TW)

(**) Term: **14 Years**

(21) Appl. No.: **29/154,479**

(22) Filed: **Jan. 23, 2002**

(51) **LOC (7) Cl.** **07-99**

(52) **U.S. Cl.** **D8/39; D8/42**

(58) **Field of Search** D8/33-43, 308,
D8/4, 5, 107, 52, 48; 30/400-443; 81/3.07-3.49;
7/151-156; D7/665, 666; D23/250, 252;
D12/179, 180; 74/523, 480 R, 489, 502.2

(56) **References Cited**

U.S. PATENT DOCUMENTS

4,253,351 A	*	3/1981	Allen	81/3.29
D408,697 S	*	4/1999	Bergen	D8/42
D415,667 S	*	10/1999	de Bergen	D8/42
D420,558 S	*	2/2000	Lee	D8/39
D430,994 S	*	9/2000	Kilduff	D8/39
D441,265 S	*	5/2001	Kilduff	D8/39
D442,043 S	*	5/2001	Kao	D8/39
D442,045 S	*	5/2001	Kilduff	D8/39
D444,045 S	*	6/2001	Kay	D8/39
D445,008 S	*	7/2001	Andina et al.	D8/42
D446,098 S	*	8/2001	Kilduff	D8/39

D446,702 S	*	8/2001	Kilduff	D8/39
6,357,322 B1	*	3/2002	Dolan et al.	81/3.37
D455,058 S	*	4/2002	Stirling	D8/39

OTHER PUBLICATIONS

www.winetimegiftstore.com, 2pgs., Jan. 9, 2002, lever
model lx and lever model 2000.*
Summer 1997 Chef's Catalog, dated May 5, 1997, p. 76,
Leverpull LX professional model.*

* cited by examiner

Primary Examiner—Jeffrey Asch

(74) *Attorney, Agent, or Firm*—Alan Kamrath; Rider,
Bennett, Egan & Arundel, LLP

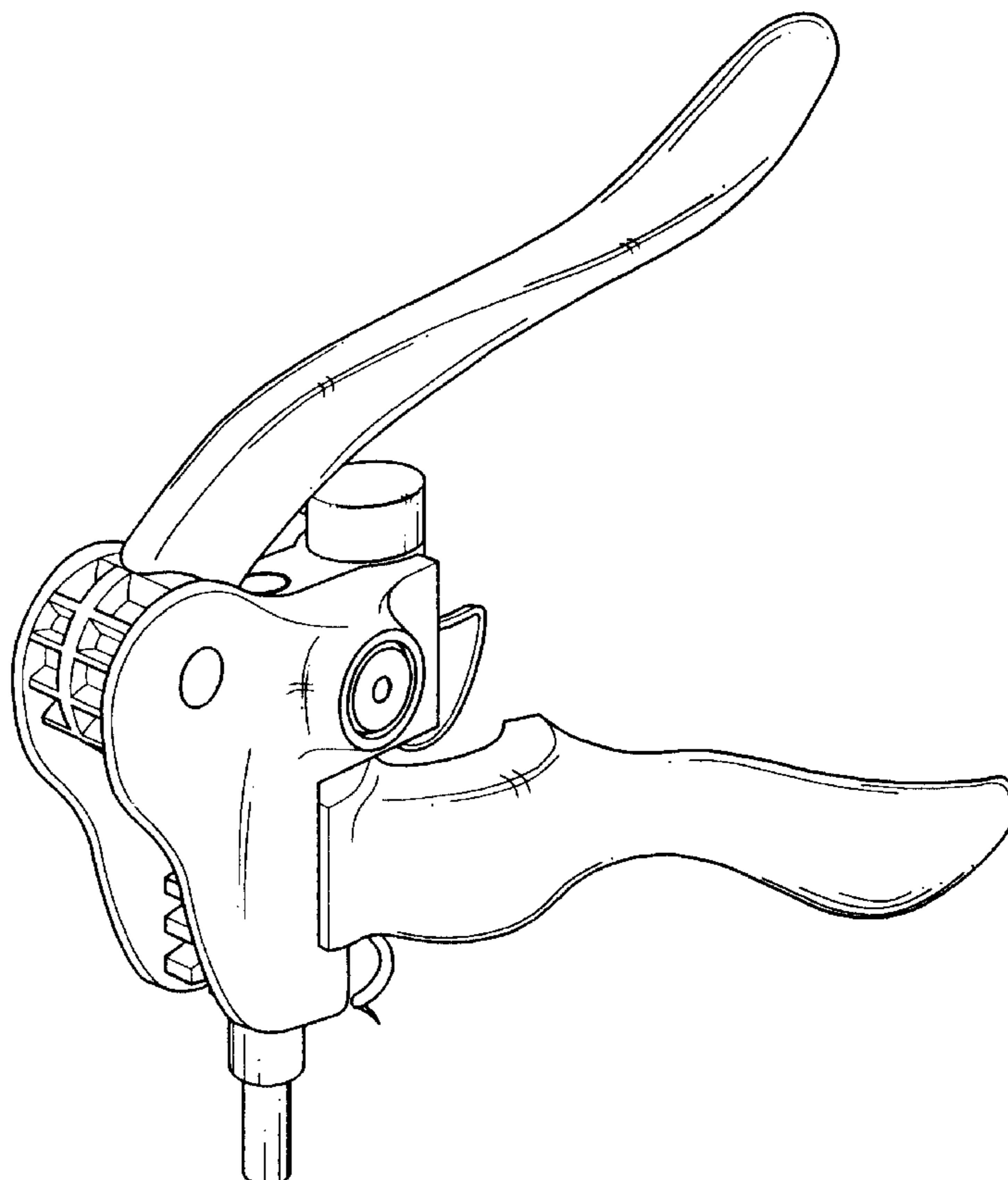
(57) **CLAIM**

The ornamental design for a cork extractor, as shown and
described.

DESCRIPTION

FIG. 1 is a perspective view of a cork extractor showing my
design;
FIG. 2 is a front elevational view thereof;
FIG. 3 is rear elevational view thereof;
FIG. 4 is a left elevational view thereof;
FIG. 5 is a right elevational view thereof;
FIG. 6 is a top plan view thereof; and,
FIG. 7 is a bottom plan view thereof.

1 Claim, 7 Drawing Sheets



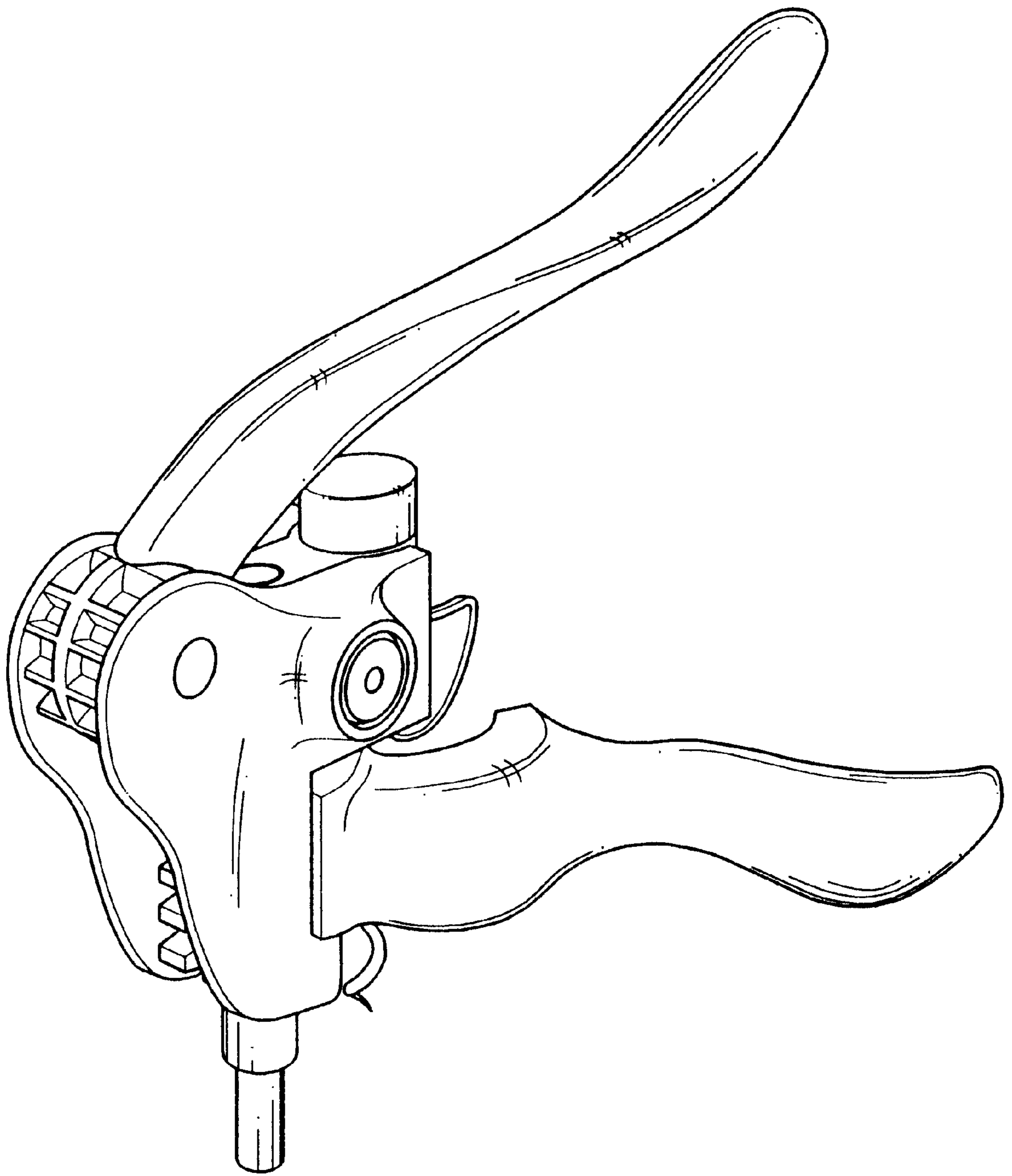


FIG . 1

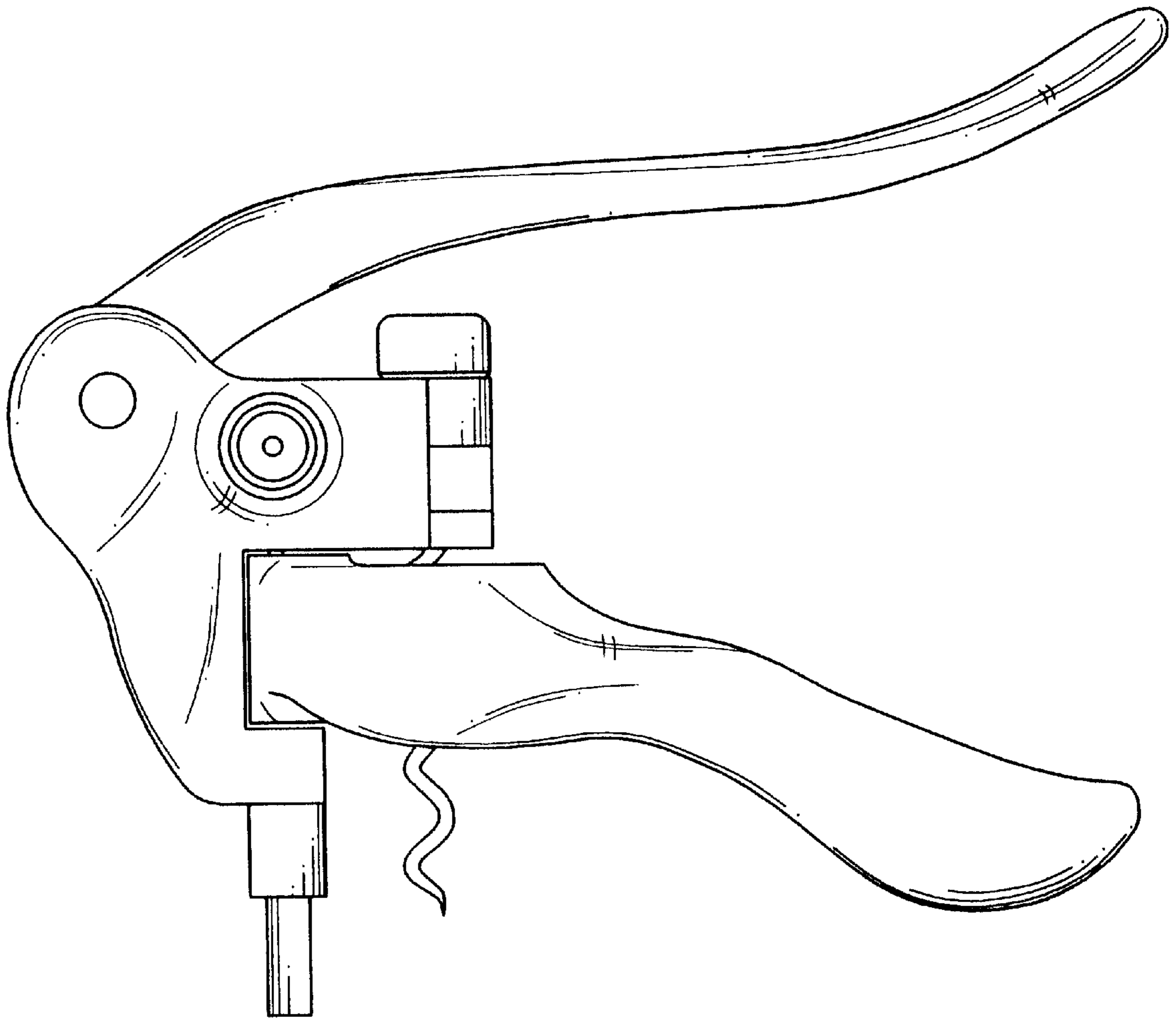


FIG . 2

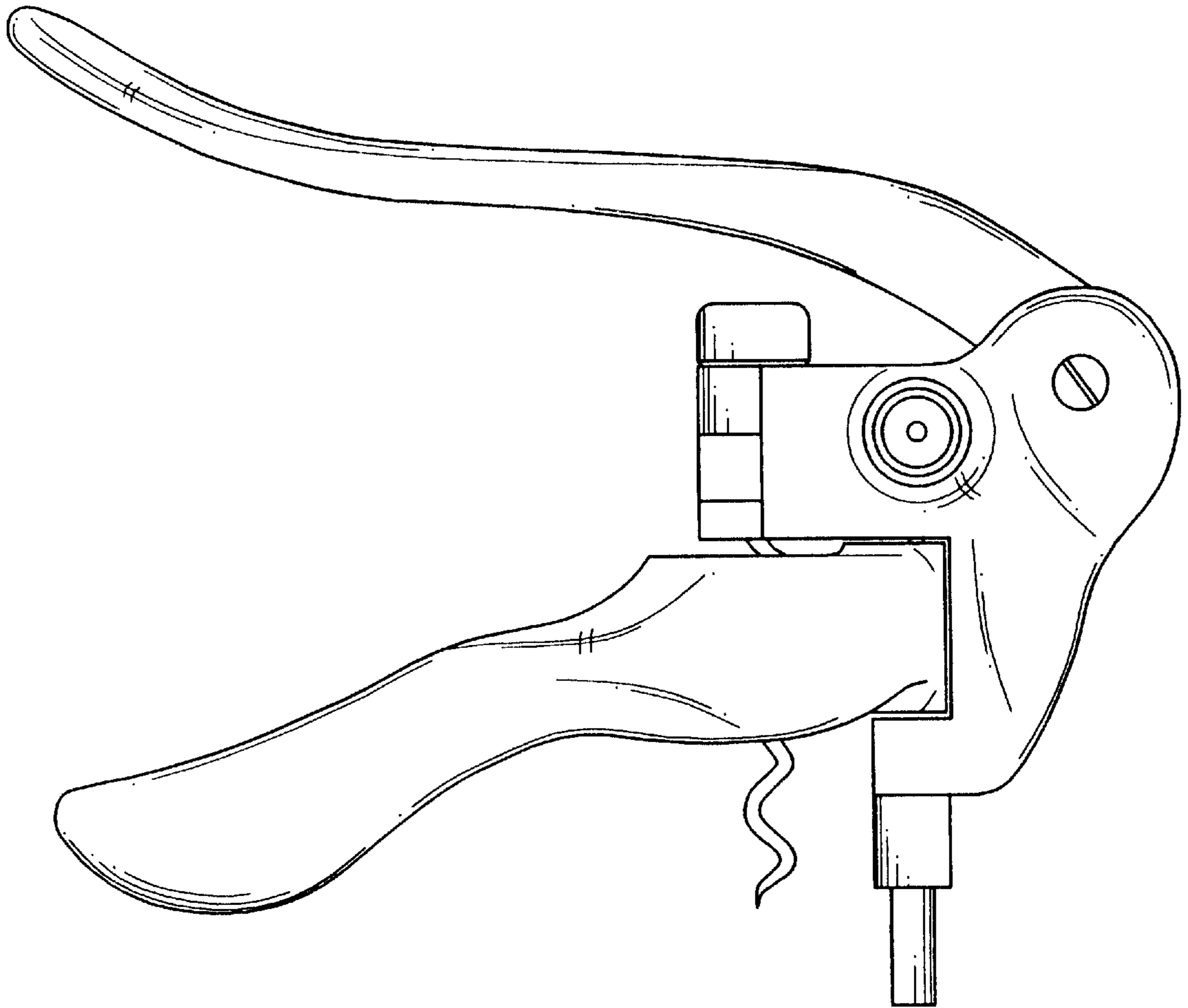


FIG . 3

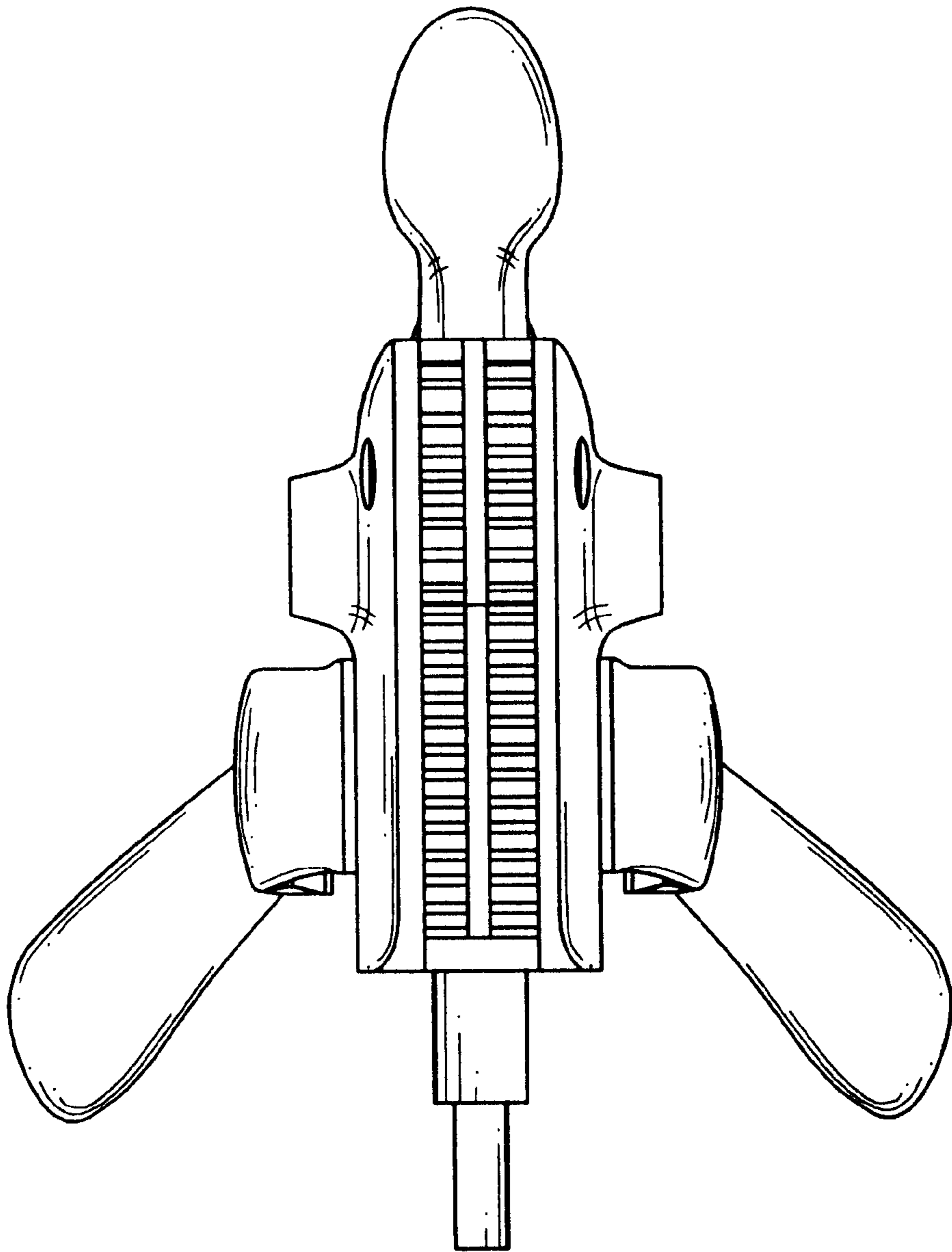


FIG . 4

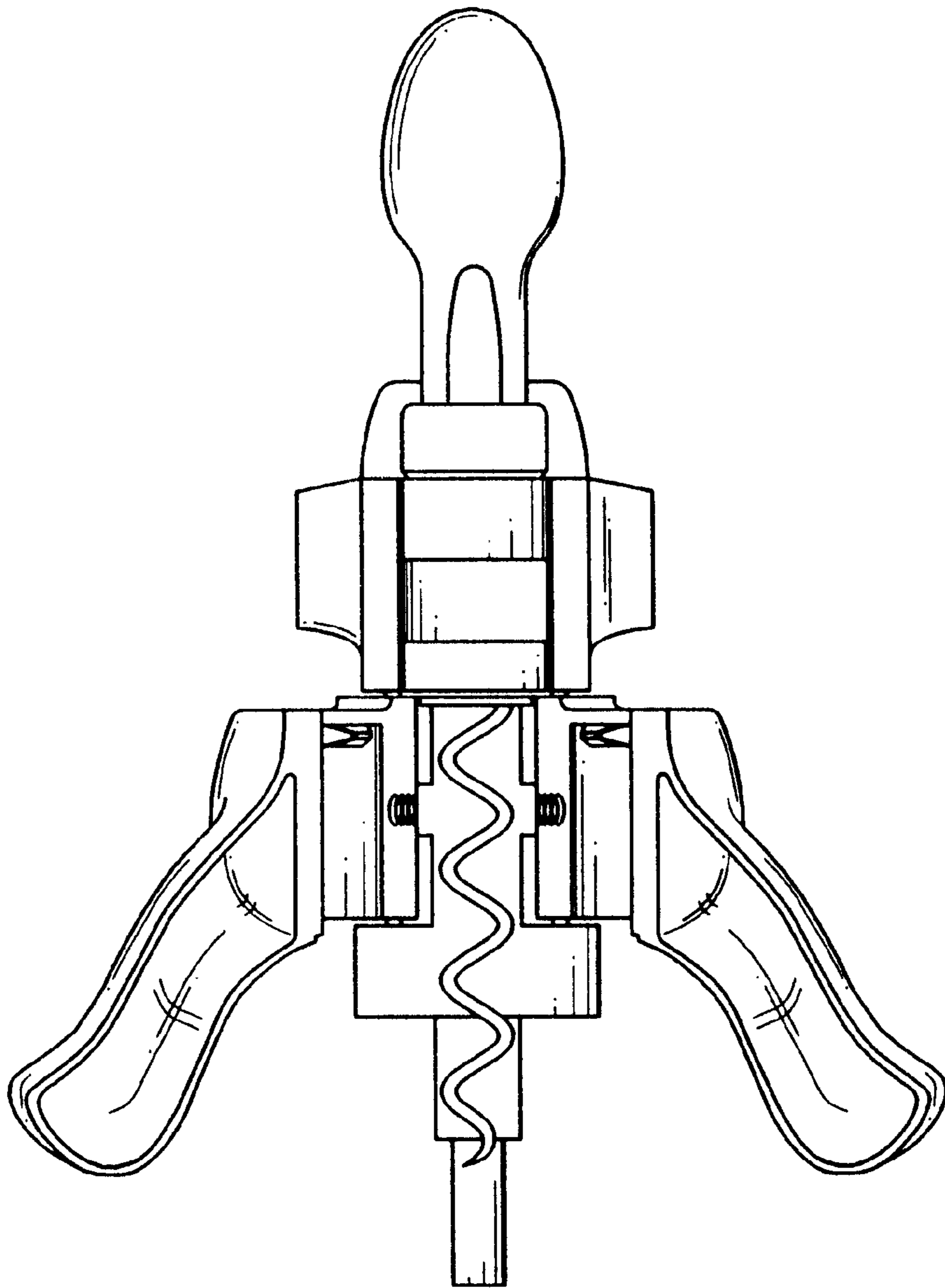


FIG . 5

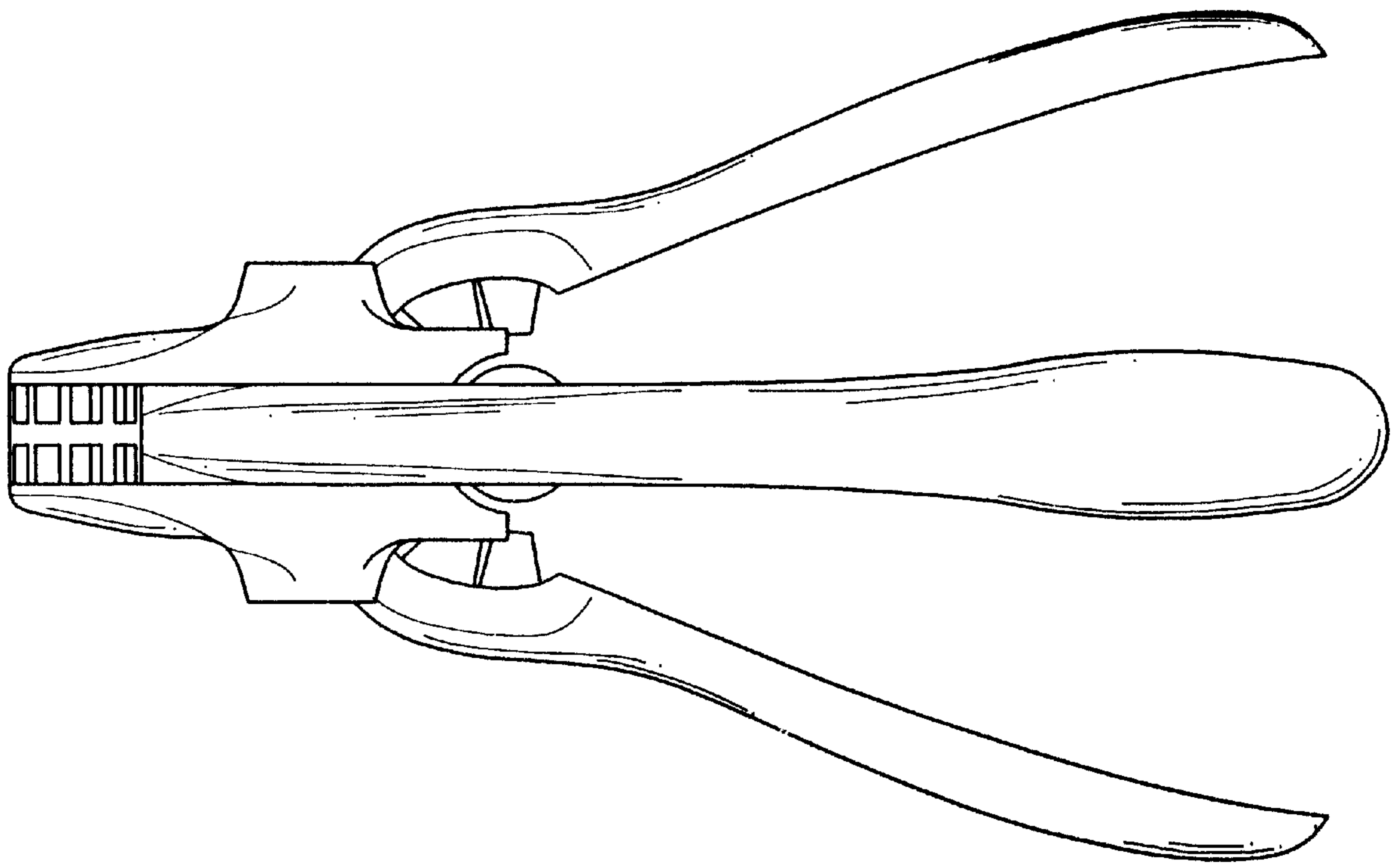


FIG . 6

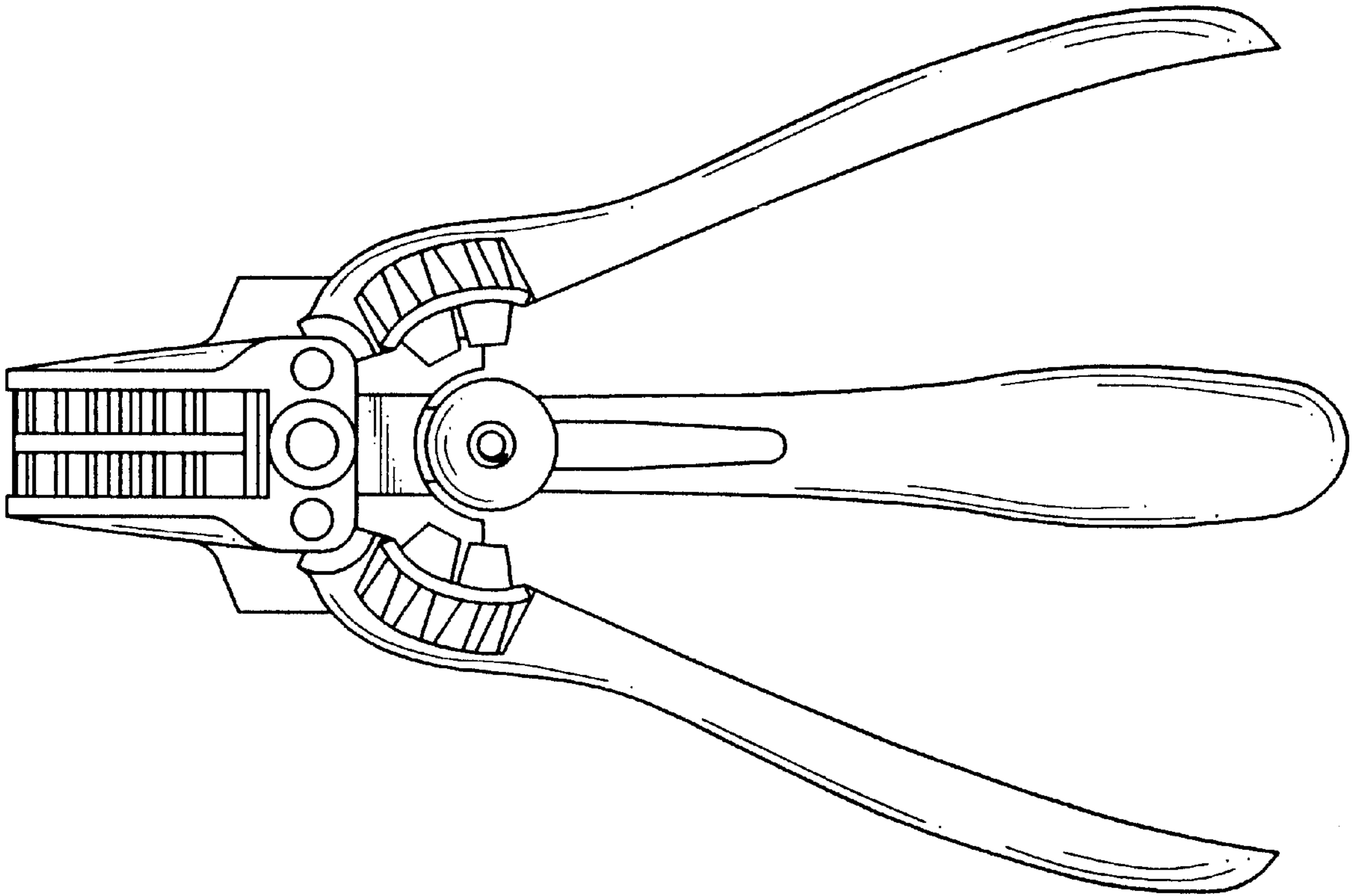


FIG . 7