



US00D465709S

(12) **United States Design Patent**  
**Robinson**

(10) **Patent No.:** **US D465,709 S**

(45) **Date of Patent:** **\*\* Nov. 19, 2002**

(54) **LIGHTER HOLDER**

(76) Inventor: **Keith Robinson**, 564 Melrose, Pontiac,  
MI (US) 48440

(\*\*) Term: **14 Years**

(21) Appl. No.: **29/151,236**

(22) Filed: **Nov. 15, 2001**

(51) **LOC (7) Cl.** ..... **03-01**

(52) **U.S. Cl.** ..... **D8/34; D3/208**

(58) **Field of Search** ..... D3/207-211; D26/38,  
D26/46; D27/39, 51, 142, 183; 70/456 R,  
456 B; 24/36, 303; 206/38.1; D8/34, 347

(56) **References Cited**

**U.S. PATENT DOCUMENTS**

D114,210 S	4/1939	Florman	
D120,568 S	* 5/1940	Lipic	D3/208
3,306,266 A	* 2/1967	McCunney	206/38.1
3,968,669 A	* 7/1976	Coleman	70/456 R
4,176,773 A	12/1979	Wilkinson	224/205
D259,063 S	4/1981	Manikas	D27/51
D267,590 S	1/1983	Varma	D27/51
4,765,459 A	8/1988	Edwards	206/38.1
D298,781 S	12/1988	Thomas	D3/103
4,833,902 A	5/1989	Mori	70/456 R
4,854,856 A	8/1989	Steiger, Jr. et al.	431/253
5,050,276 A	* 9/1991	Pemberton	24/303
5,289,915 A	3/1994	Queen	206/38
5,318,177 A	* 6/1994	Isacson	206/38.1

D376,871 S	12/1996	Sanchez et al.	D27/183
D378,440 S	3/1997	Collette	D27/142
D380,293 S	* 7/1997	Cudmore	D3/208
5,740,905 A	4/1998	Kilfoy	206/87
5,794,767 A	8/1998	Wilson	206/37
5,819,917 A	10/1998	Nicholson	206/38
D409,830 S	* 5/1999	Stafford	D3/208
D433,297 S	* 11/2000	Haas	D8/34
D433,562 S	* 11/2000	Redlinger	D3/208
6,196,382 B1	3/2001	Lenderman	206/37

\* cited by examiner

*Primary Examiner*—Ralf Seifert

(74) *Attorney, Agent, or Firm*—Gifford, Krass, Groh,  
Sprinkle, Anderson & Citkowski, P.C.

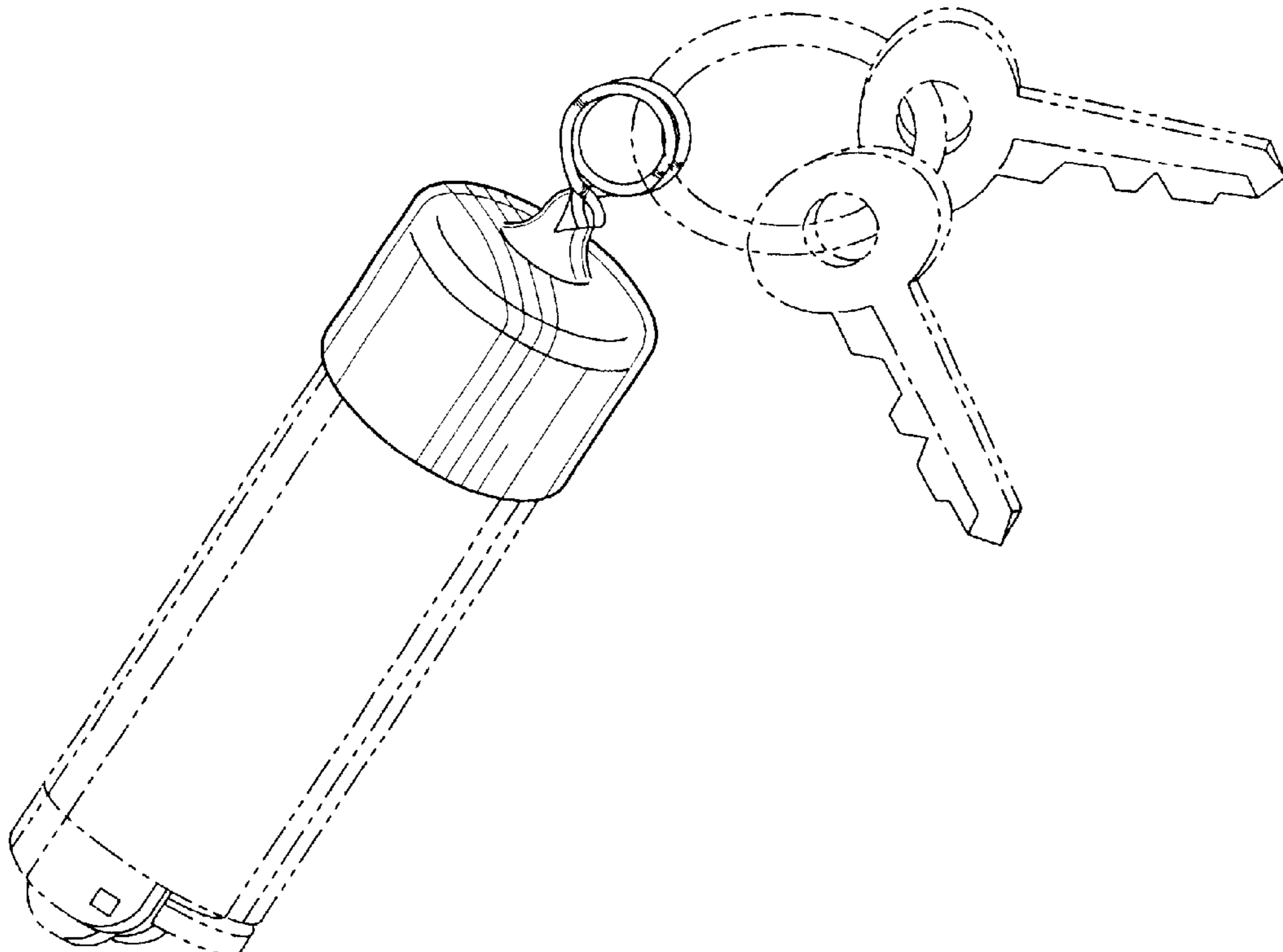
(57) **CLAIM**

I claim the ornamental design for a lighter holder, as shown  
and described.

**DESCRIPTION**

FIG. 1 is a perspective view of a lighter holder showing my  
new design in connection with a key chain and a lighter, said  
key chain and lighter forming no part of the claimed design;  
FIG. 2 is a front-side elevational view thereof, the backside  
view being a mirror image of the front side;  
FIG. 3 is a right-side elevational view thereof, the left side  
being a mirror image of the right side;  
FIG. 4 is a top elevational view thereof; and,  
FIG. 5 is a bottom elevational view thereof.

**1 Claim, 2 Drawing Sheets**



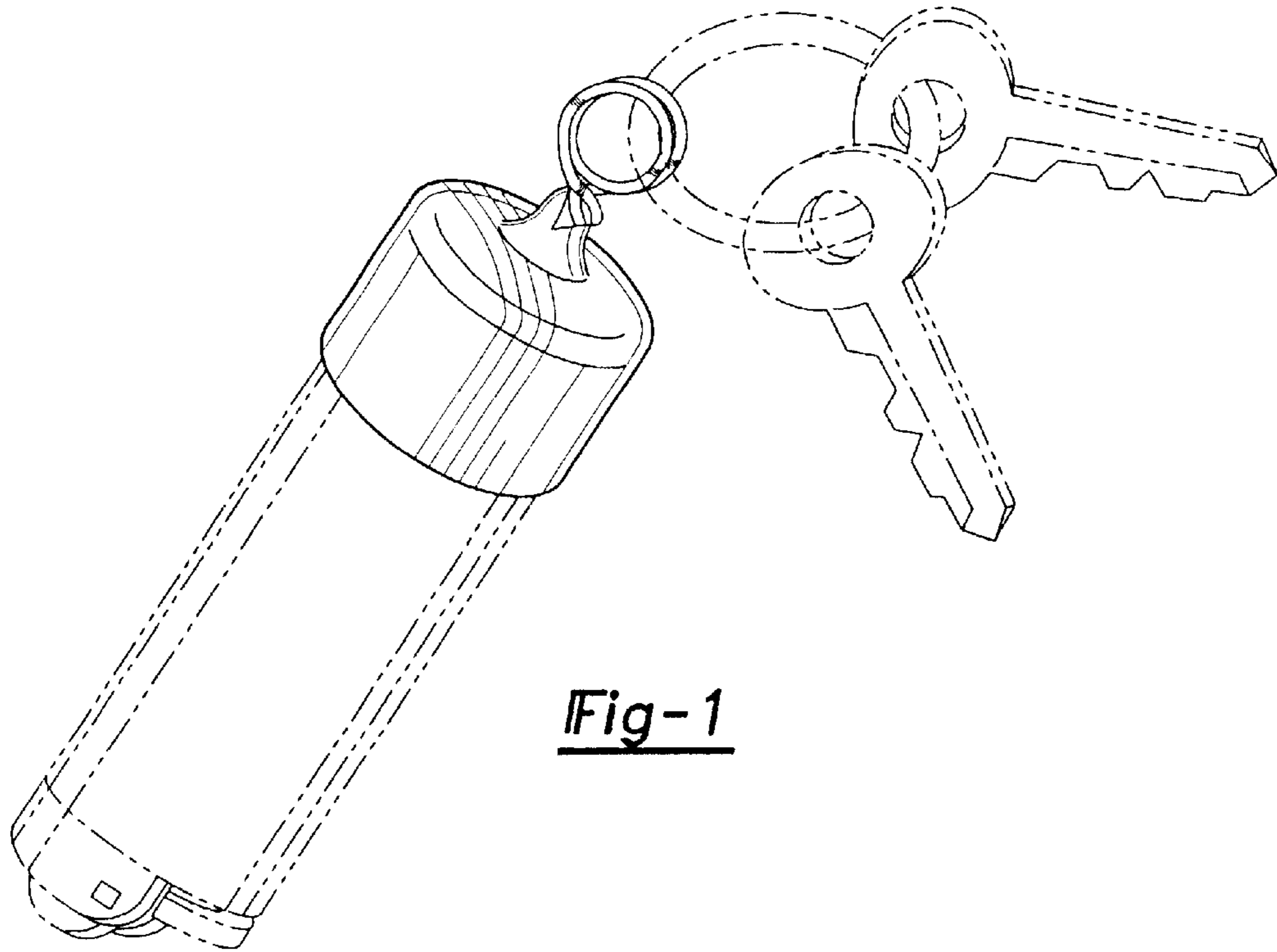


Fig-1

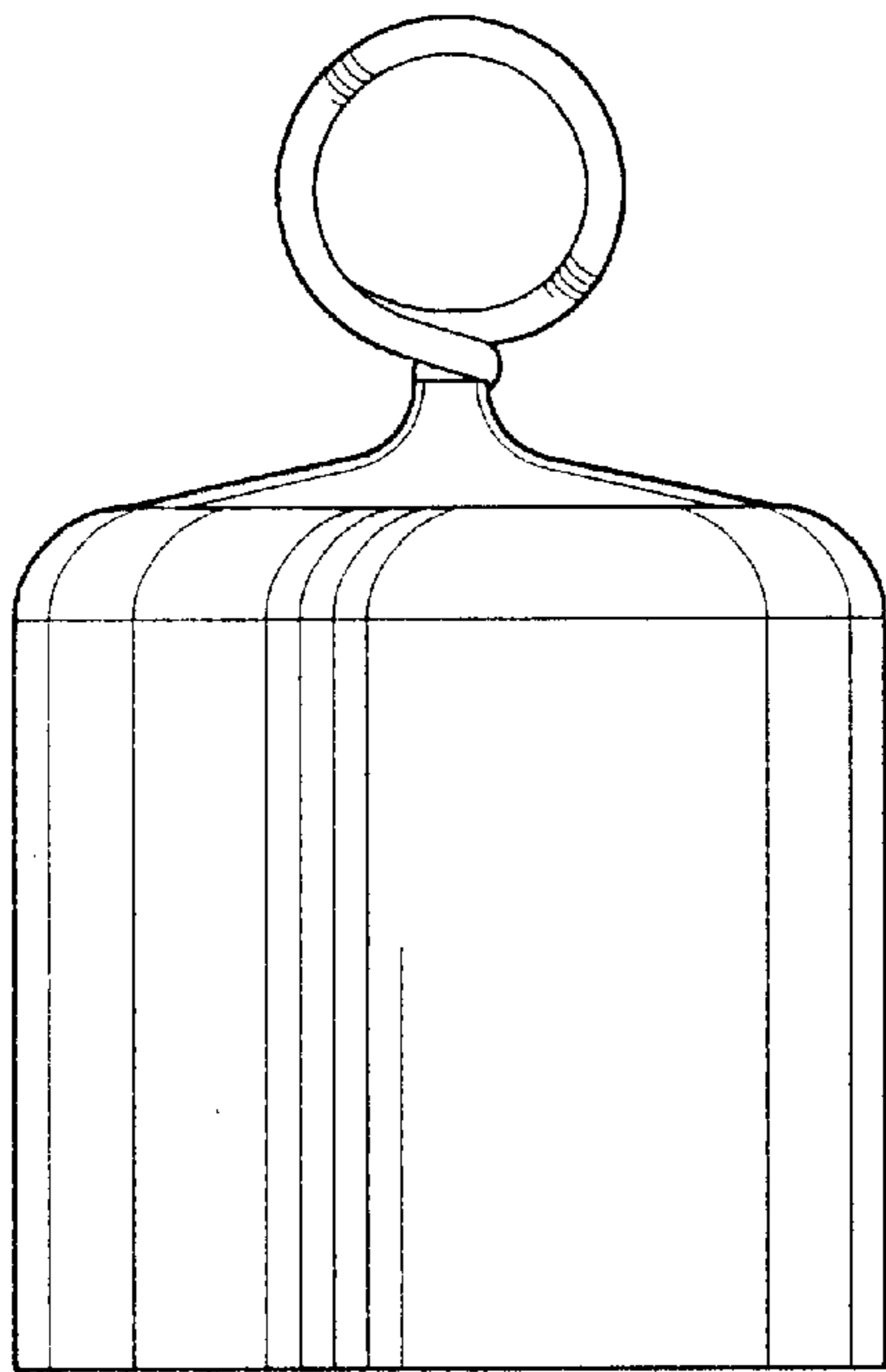


Fig-2

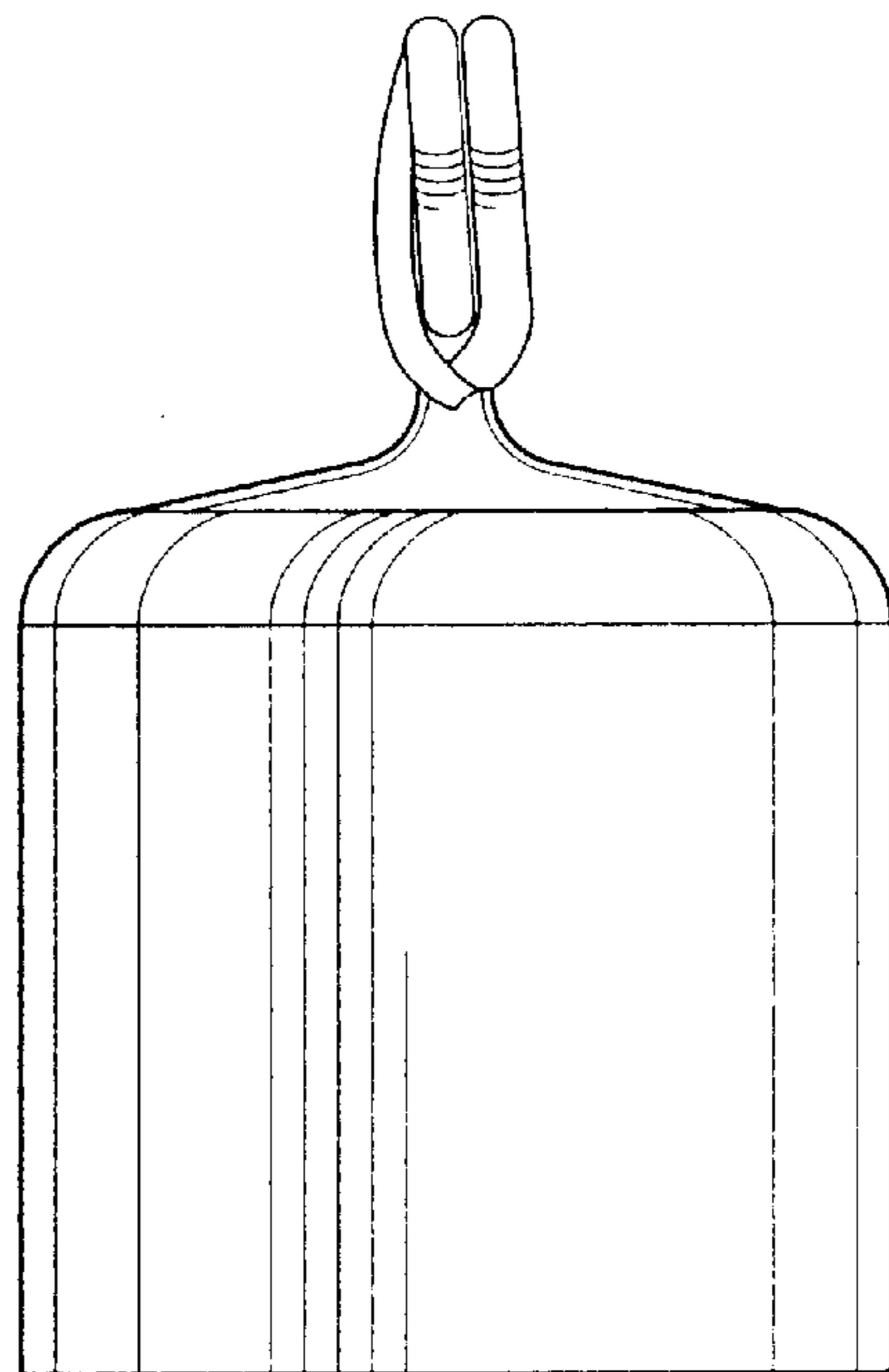


Fig-3

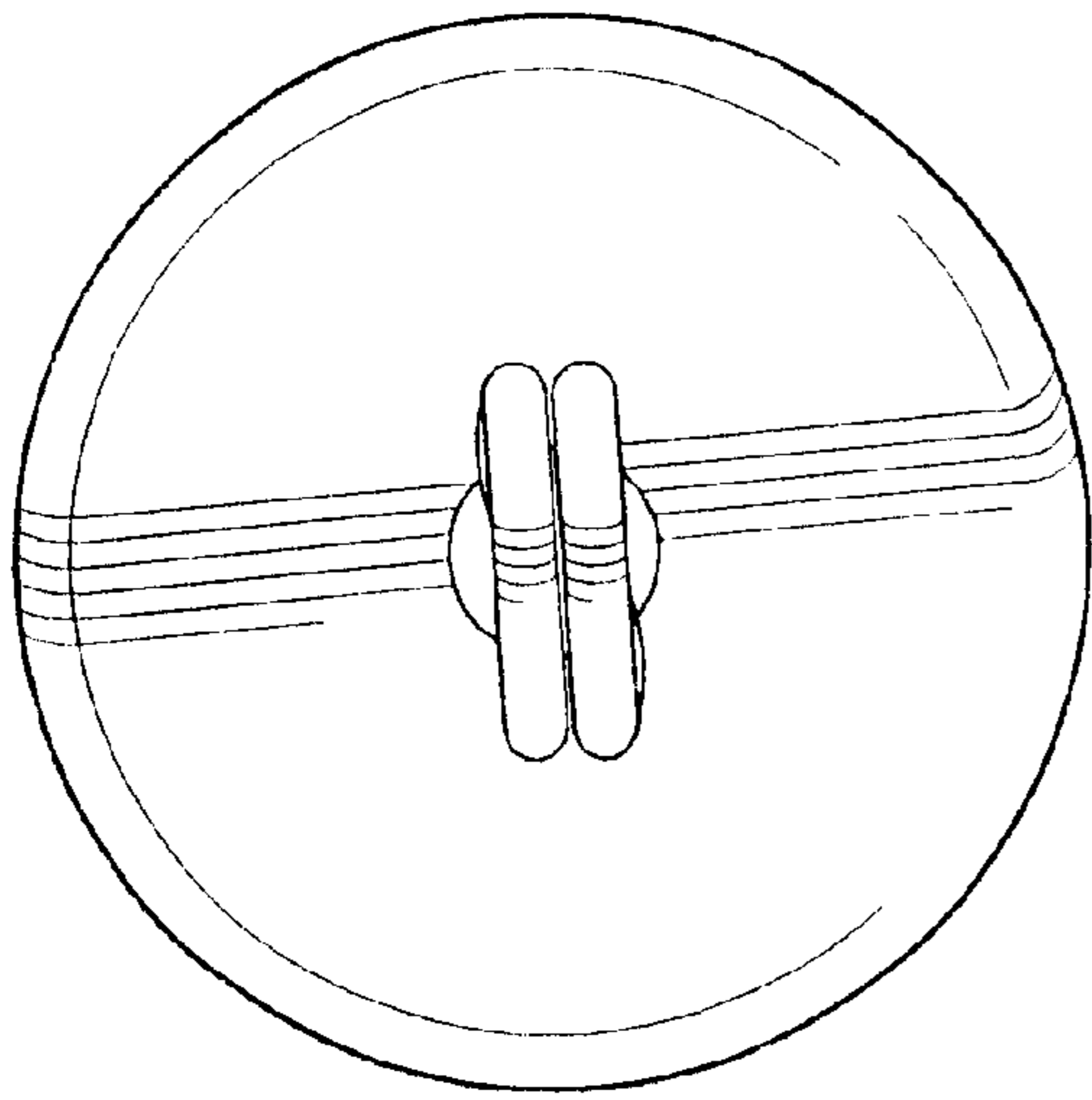


Fig-4

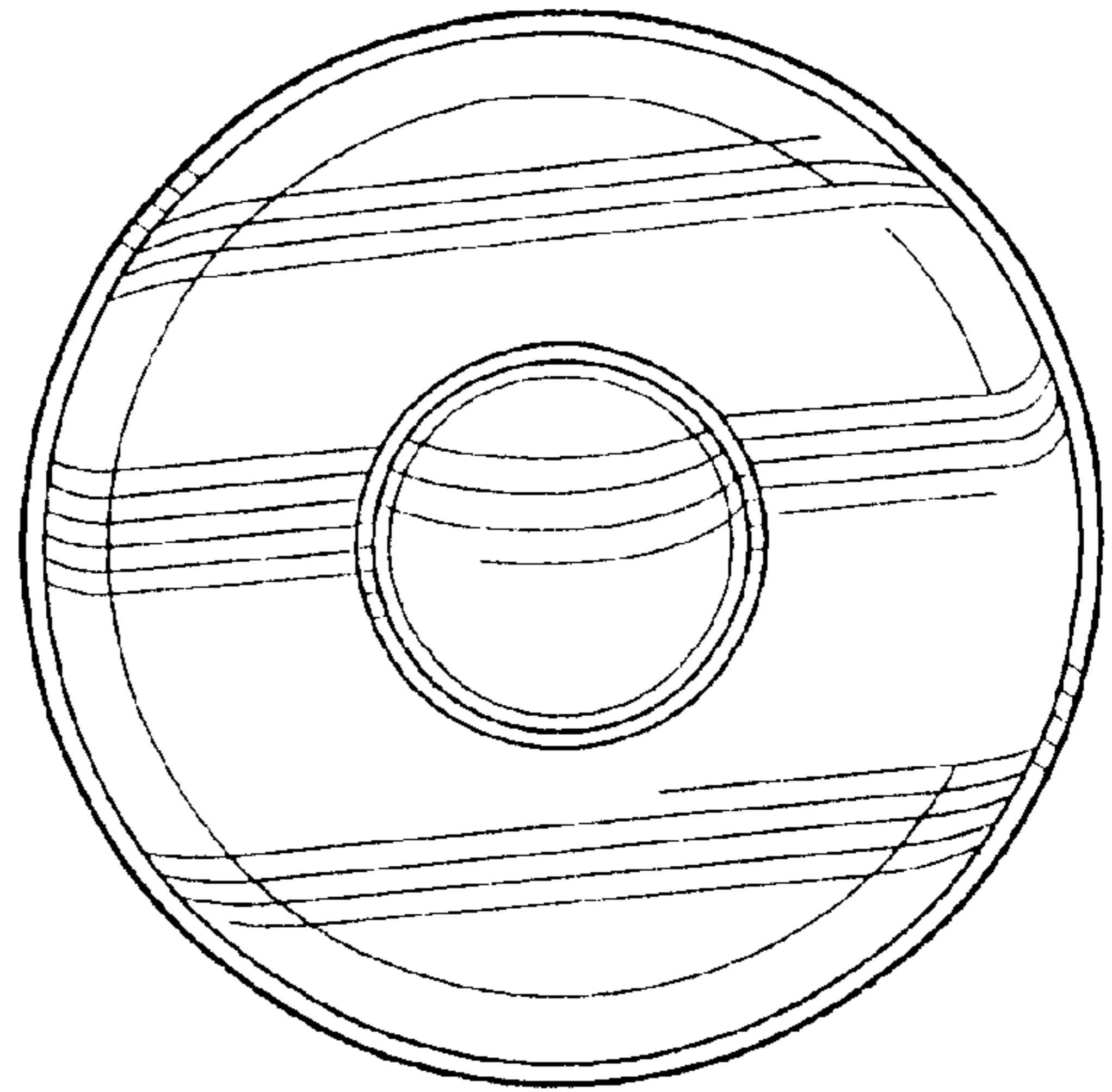


Fig-5