



US00D465708S

(12) **United States Design Patent**  
**Digman**

(10) **Patent No.:** **US D465,708 S**

(45) **Date of Patent:** **\*\* Nov. 19, 2002**

(54) **JAW PIVOT MEMBER FOR A TIRE BEAD BREAKER**

D320,617 S \* 10/1991 Haugen et al. .... D15/199  
RE33,892 E \* 4/1992 Sims ..... 157/1.17  
5,269,358 A \* 12/1993 Ling ..... 157/1.1  
D343,181 S \* 1/1994 Garcia ..... D15/199

(75) Inventor: **Micah L. Digman**, Beaver Dam, WI  
(US)

\* cited by examiner

(73) Assignee: **Actuant Corporation**, Milwaukee, WI  
(US)

*Primary Examiner*—Philip S. Hyder

(74) *Attorney, Agent, or Firm*—Quarles & Brady LLP

(\*\*) Term: **14 Years**

(57) **CLAIM**

(21) Appl. No.: **29/153,992**

The ornamental design for a jaw pivot member for a tire bead breaker, as shown and described.

(22) Filed: **Jan. 14, 2002**

**DESCRIPTION**

(51) **LOC (7) Cl.** ..... **08-05**

(52) **U.S. Cl.** ..... **D8/31**

(58) **Field of Search** ..... D8/14, 31, 51,  
D8/52; 157/1, 1.1, 1.17

FIG. 1 is a perspective view of a jaw pivot member for a tire bead breaker showing my new design;  
FIG. 2 is a front elevational view thereof;  
FIG. 3 is a right side elevational view thereof; the left side elevational view being a mirror image of the right side;  
FIG. 4 is a top plan view thereof;  
FIG. 5 is a rear elevational view thereof; and,  
FIG. 6 is a bottom plan view thereof.

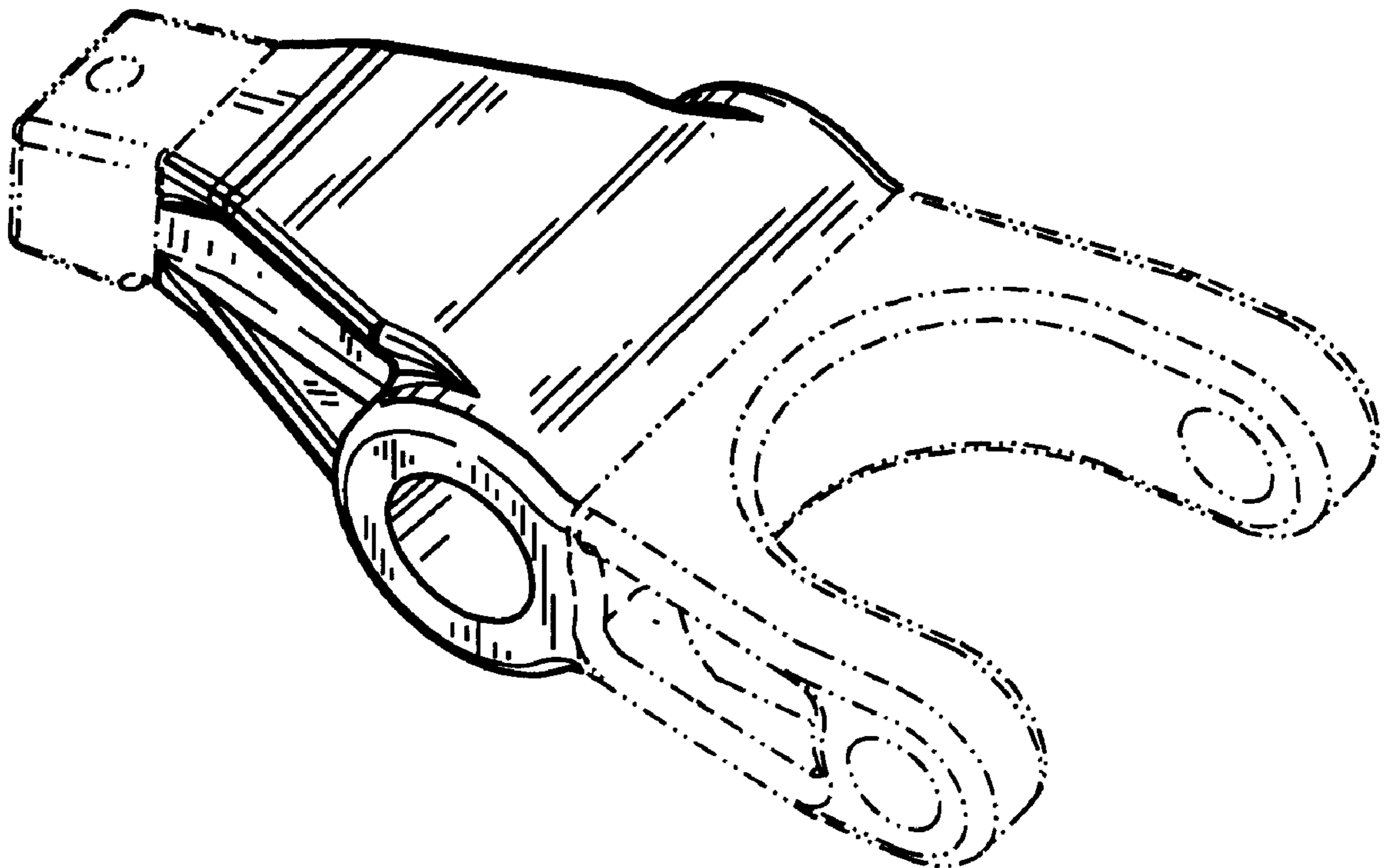
(56) **References Cited**

**U.S. PATENT DOCUMENTS**

3,771,580 A \* 11/1973 Branick ..... 157/1.17  
4,589,462 A \* 5/1986 Giles ..... 157/1.17  
4,785,865 A \* 11/1988 Folstad ..... 157/1.17  
4,787,433 A \* 11/1988 Thomas ..... 157/1.17  
4,913,770 A \* 4/1990 Sims ..... 157/1.17  
4,993,467 A \* 2/1991 Stavinoha ..... 157/1.17

The broken line portions of the jaw pivot member are for illustrative purposes only and form no part of the claimed design.

**1 Claim, 2 Drawing Sheets**



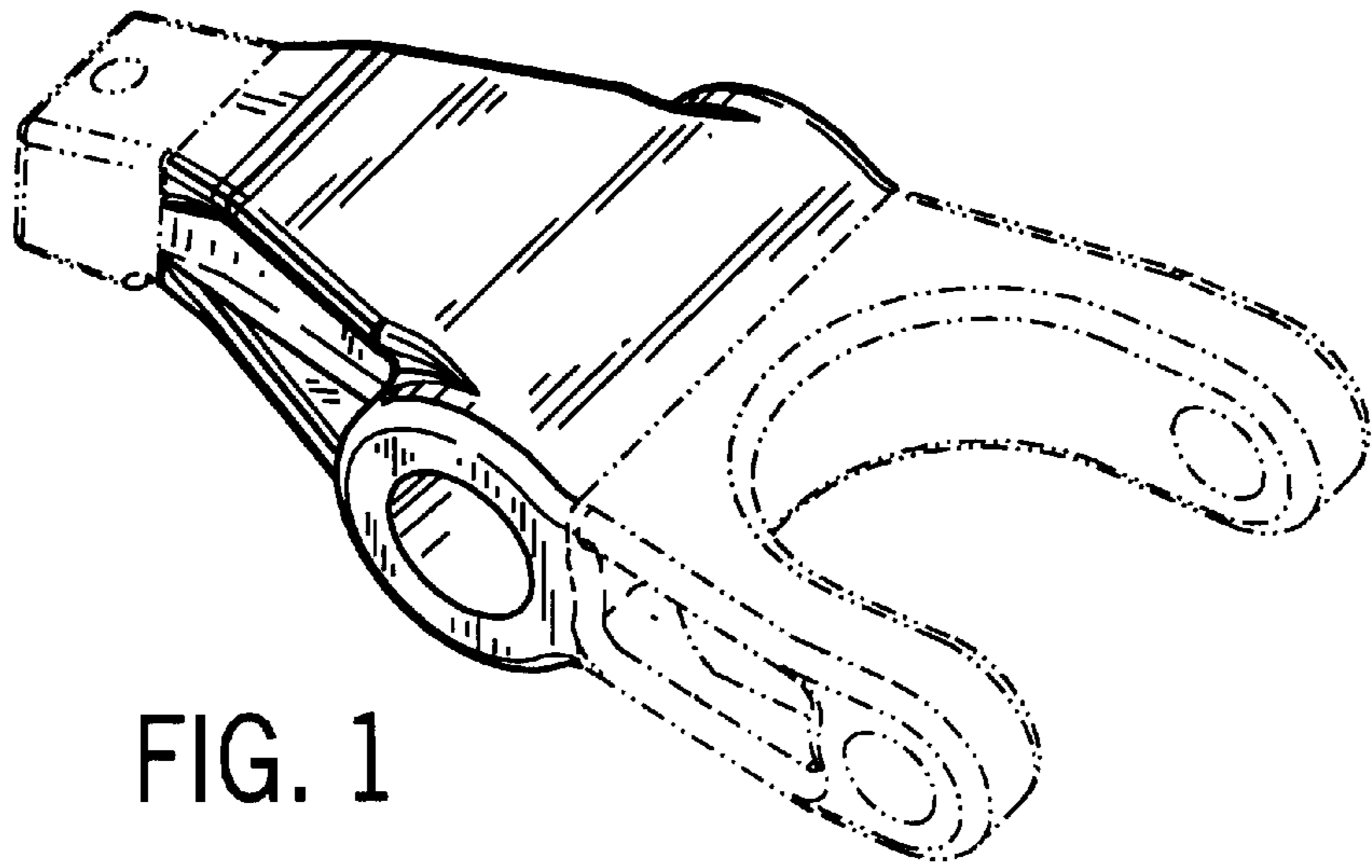


FIG. 1

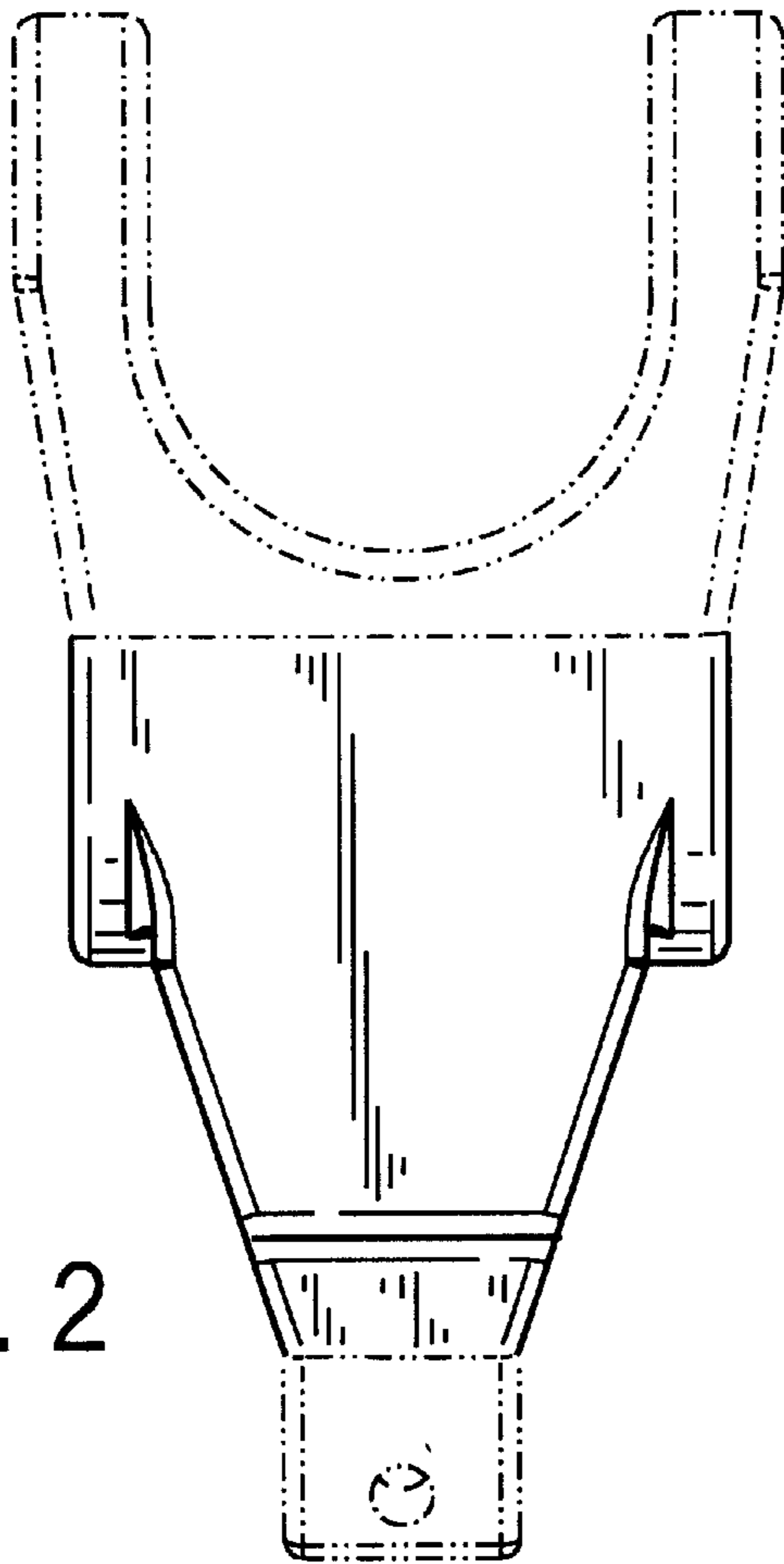


FIG. 2

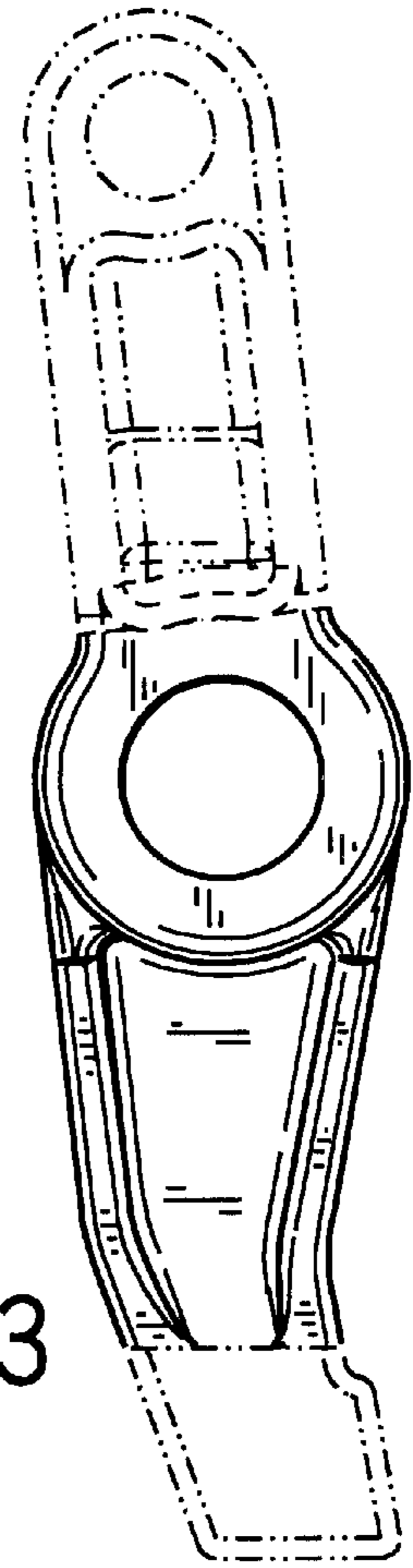


FIG. 3

FIG. 4

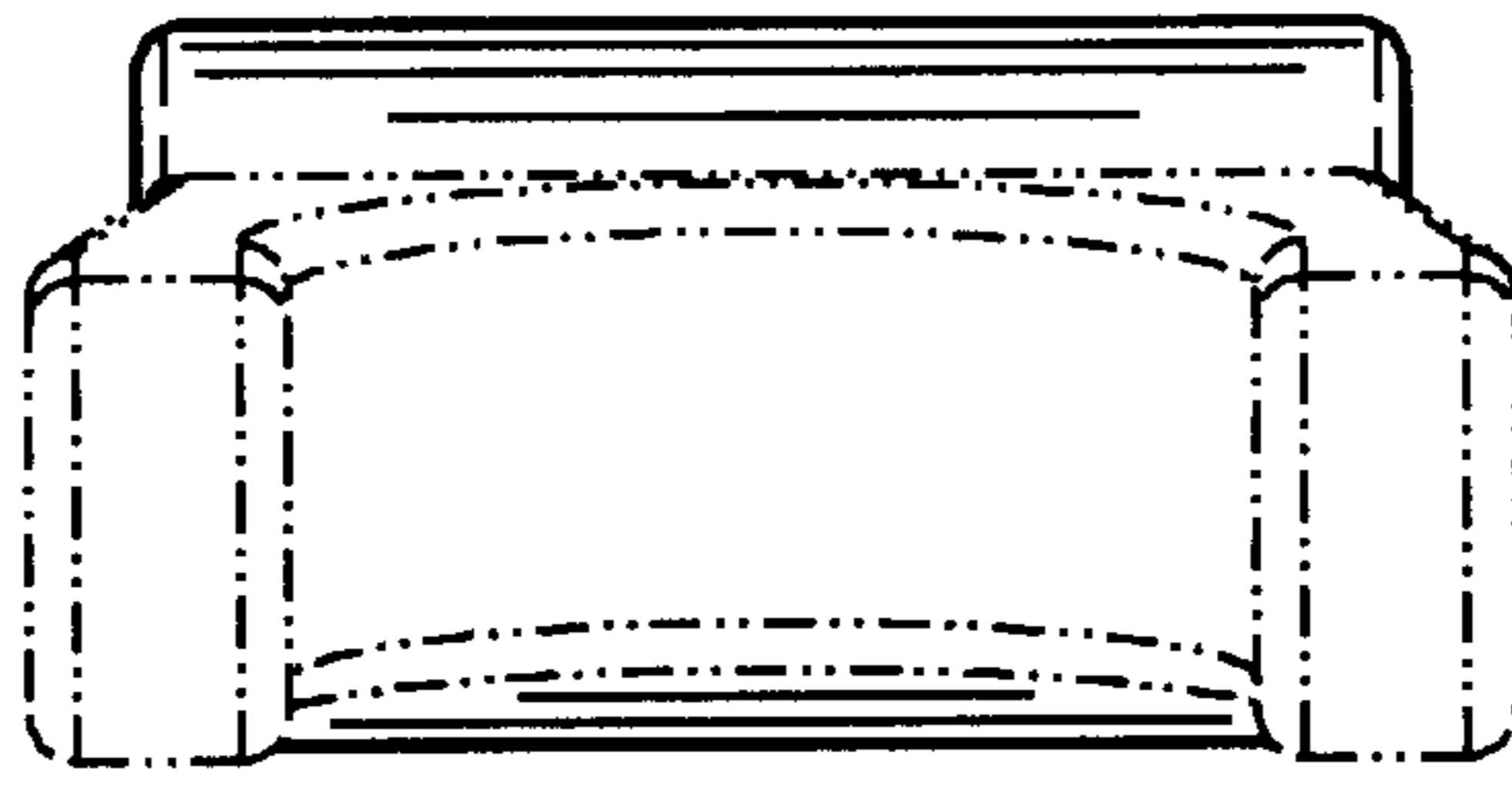


FIG. 5

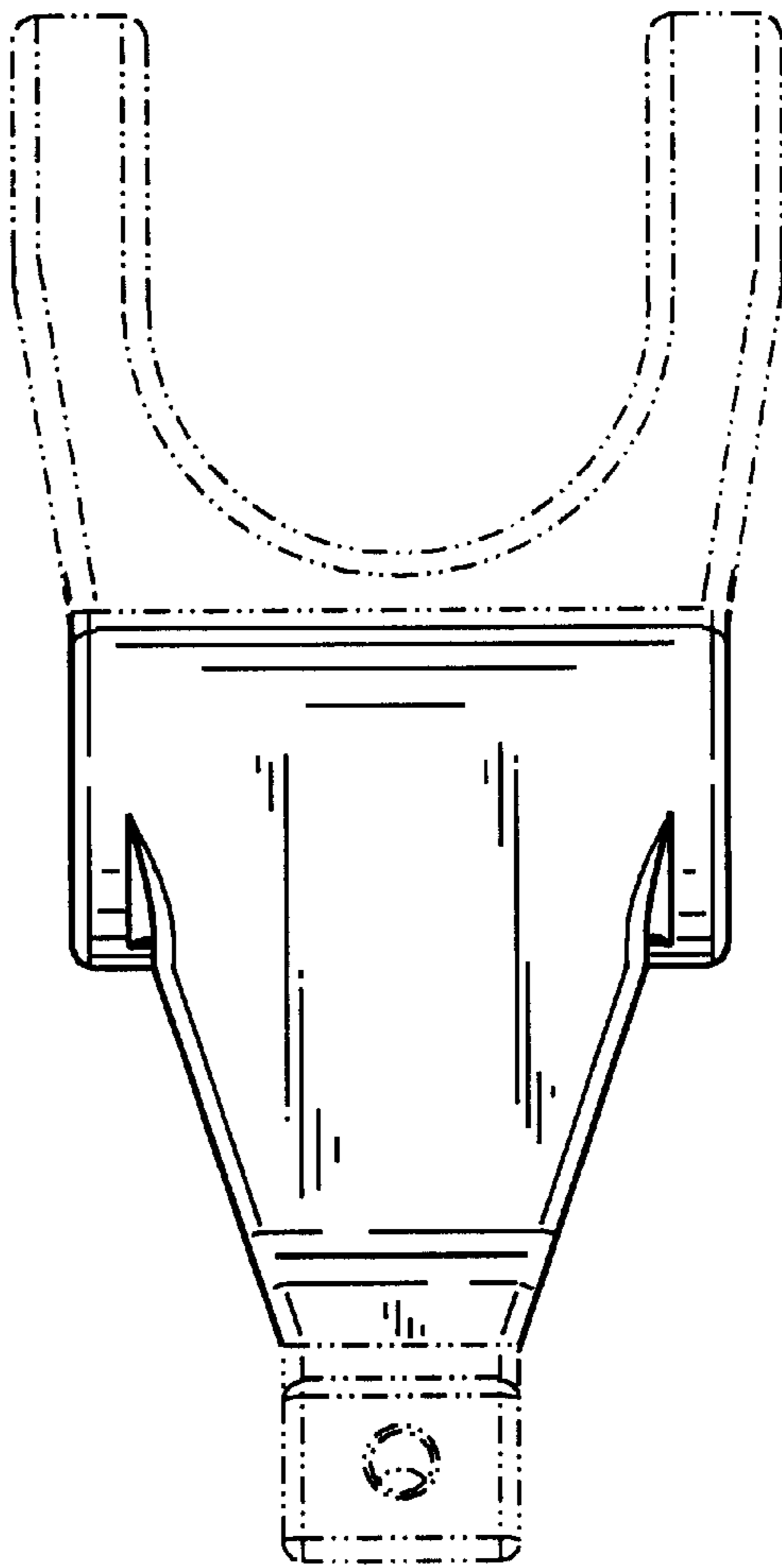


FIG. 6

