



US00D465706S

(12) **United States Design Patent**
Ravaillault

(10) **Patent No.:** **US D465,706 S**

(45) **Date of Patent:** **** Nov. 19, 2002**

(54) **ADJUSTABLE WRENCH**

D432,879 S * 10/2000 Loyaute D8/22
D445,656 S * 7/2001 Ranieri D8/22

(75) Inventor: **Guy Ravaillault**, Paris (FR)

* cited by examiner

(73) Assignee: **Facom**, Morganis (FR)

Primary Examiner—Raphael Barkai

(**) Term: **14 Years**

(74) *Attorney, Agent, or Firm*—Wenderoth, Lind & Ponack,
L.L.P.

(21) Appl. No.: **29/141,390**

(22) Filed: **May 7, 2001**

(57) **CLAIM**

(30) **Foreign Application Priority Data**

The ornamental design for an adjustable wrench, as shown.

Nov. 8, 2000 (FR) 00 6526

DESCRIPTION

(51) **LOC (7) Cl.** **08-05**

FIG. 1 is a left side view.

(52) **U.S. Cl.** **D8/22**

FIG. 2 is a right side view.

(58) **Field of Search** D8/17, 21-29;
81/165, 166-169, 170, 119, 186, 177.1

FIG. 3 is a perspective view as seen from the rear, right and
top sides; and,

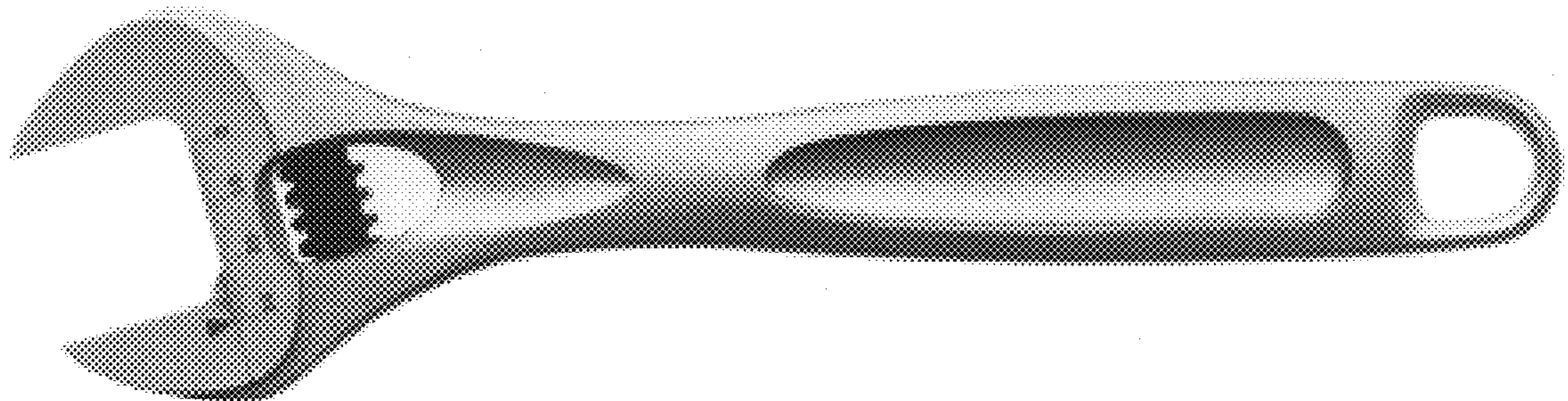
(56) **References Cited**

FIG. 4 is a perspective view as seen from the front, left and
top sides.

U.S. PATENT DOCUMENTS

1,846,380 A * 2/1932 Anderson 81/165

1 Claim, 2 Drawing Sheets



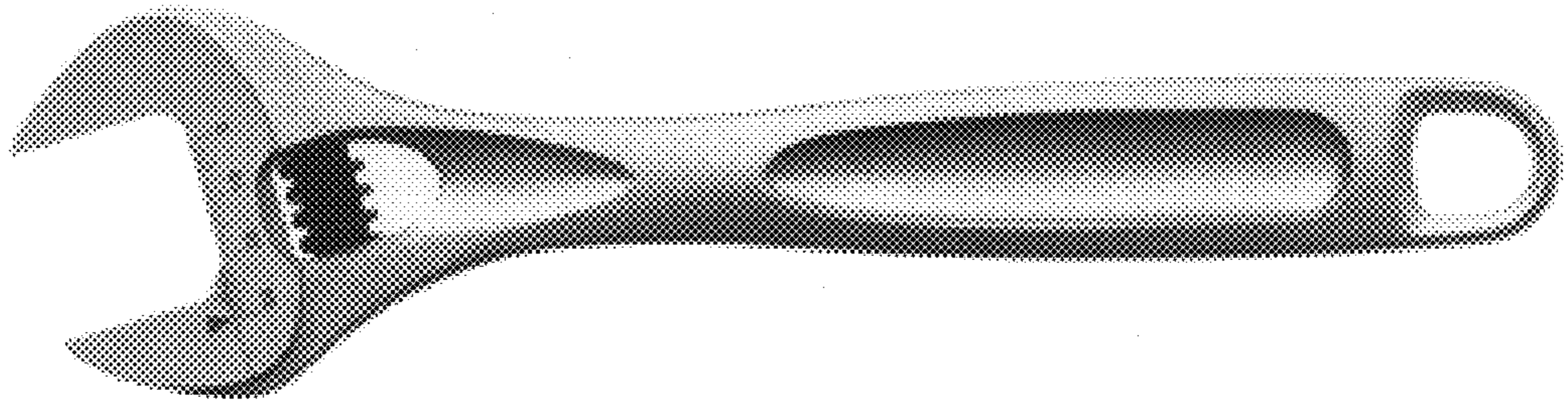


FIG. 1

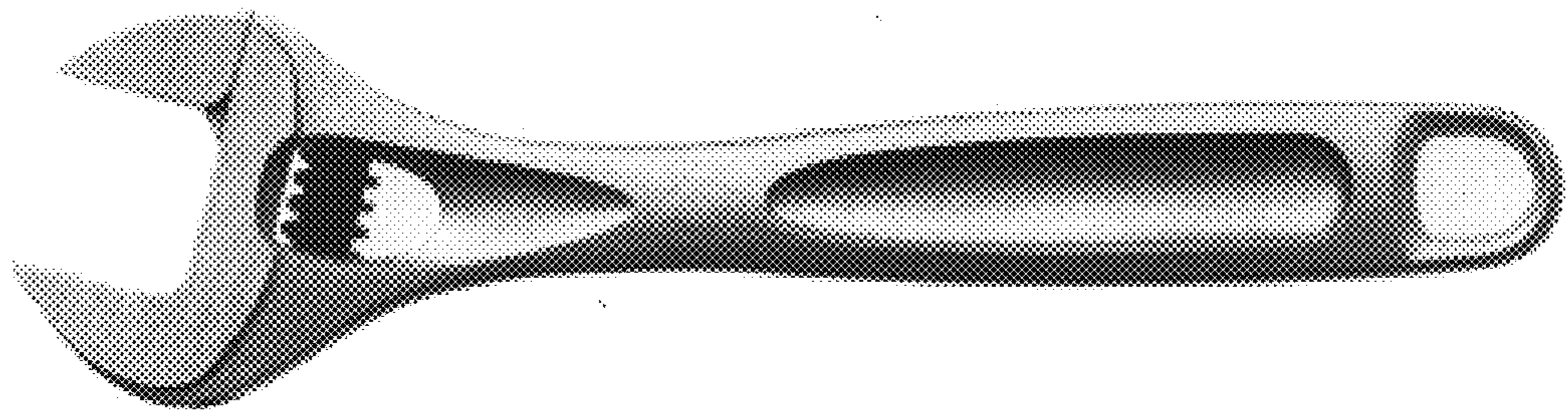


FIG. 2

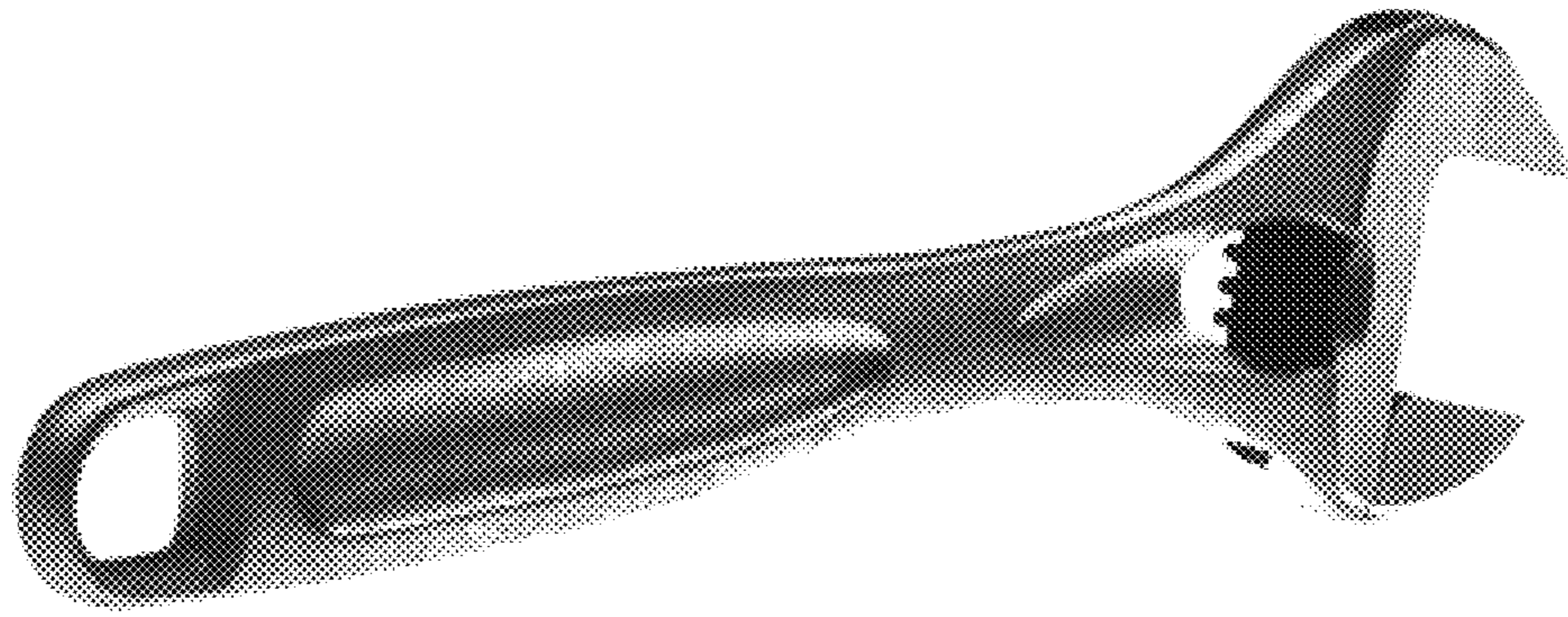


FIG. 3

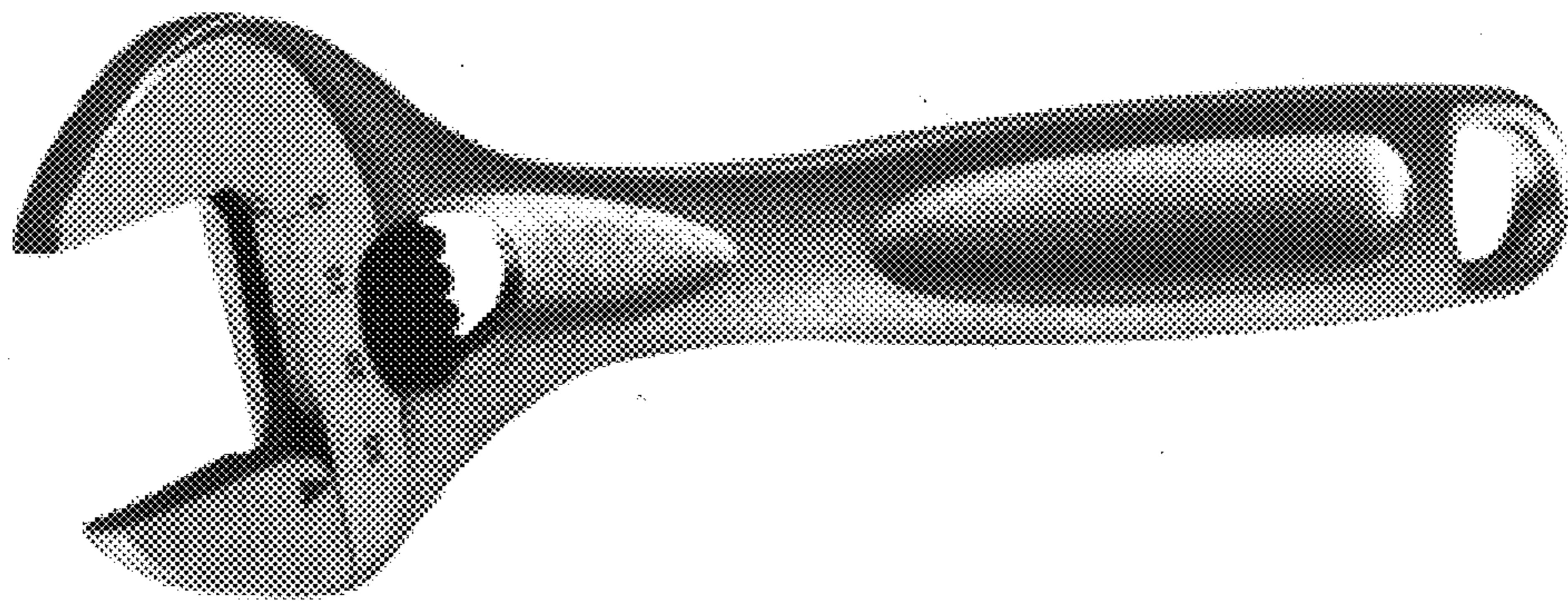


FIG. 4

UNITED STATES PATENT AND TRADEMARK OFFICE
CERTIFICATE OF CORRECTION

PATENT NO. : Des. 465,706 S
DATED : November 19, 2002
INVENTOR(S) : Guy Ravaillault

Page 1 of 1

It is certified that error appears in the above-identified patent and that said Letters Patent is hereby corrected as shown below:

Title page,

Item [73], Assignee, “**Facom**, Morganis (FR)” should read
-- **Facom**, Morangis (FR) --.

Signed and Sealed this

First Day of April, 2003

A handwritten signature in black ink, appearing to read 'James E. Rogan', with a horizontal line drawn underneath it.

JAMES E. ROGAN
Director of the United States Patent and Trademark Office