



US00D465698S

(12) **United States Design Patent**
Allan

(10) **Patent No.:** **US D465,698 S**

(45) **Date of Patent:** **** Nov. 19, 2002**

(54) **FOOD MIXER**

(75) Inventor: **Ian James Allan**, Darlinghurst (AU)

(73) Assignee: **Sunbeam Corporation Limited**, New South Wales (AU)

(**) Term: **14 Years**

(21) Appl. No.: **29/144,438**

(22) Filed: **Jul. 2, 2001**

(30) **Foreign Application Priority Data**

Jan. 4, 2001 (AU) 0076/2001

(51) **LOC (7) Cl.** **31-00**

(52) **U.S. Cl.** **D7/379**

(58) **Field of Search** D7/376-386; 366/53-67,
366/197, 199, 219, 220, 206

(56) **References Cited**

U.S. PATENT DOCUMENTS

D120,342 S	*	5/1940	Geiger et al.	D7/379
D167,149 S	*	7/1952	Jepson	D7/379
D182,885 S	*	5/1958	Ernest	D7/379
D194,473 S	*	1/1963	Reed	D7/379
D195,425 S	*	6/1963	Reed	D7/379
3,187,366 A	*	6/1965	Fant	15/246

D208,805 S	*	10/1967	De Fano	D7/379
D210,682 S	*	4/1968	De Fano	D7/379
3,904,178 A	*	9/1975	Scott et al.	366/199
4,568,193 A	*	2/1986	Contri et al.	366/206
D384,549 S	*	10/1997	Cesaroni et al.	D7/379
D395,572 S	*	6/1998	Carroll et al.	D7/379

* cited by examiner

Primary Examiner—Caron D. Veynar

(74) *Attorney, Agent, or Firm*—Ladas & Parry

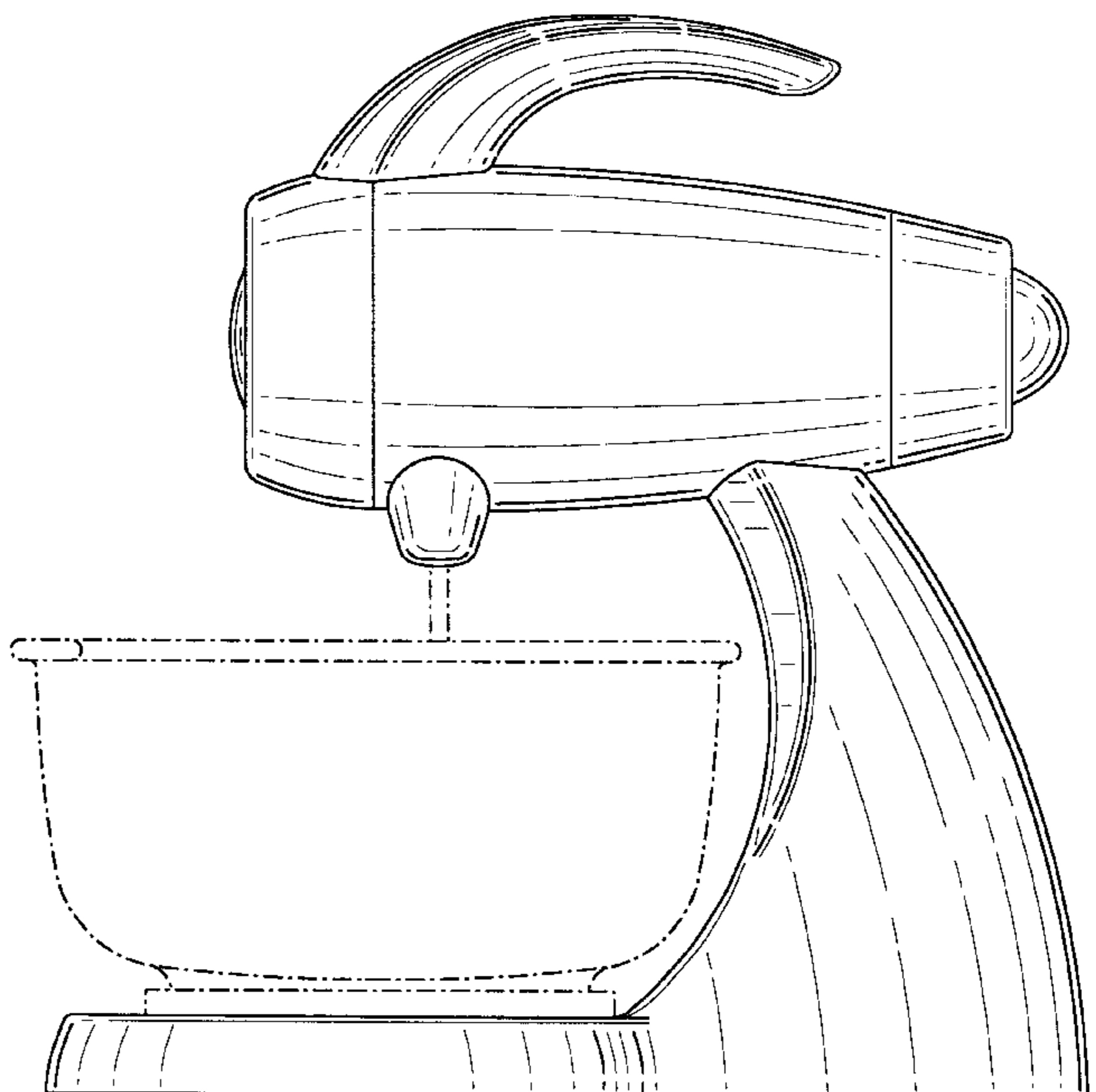
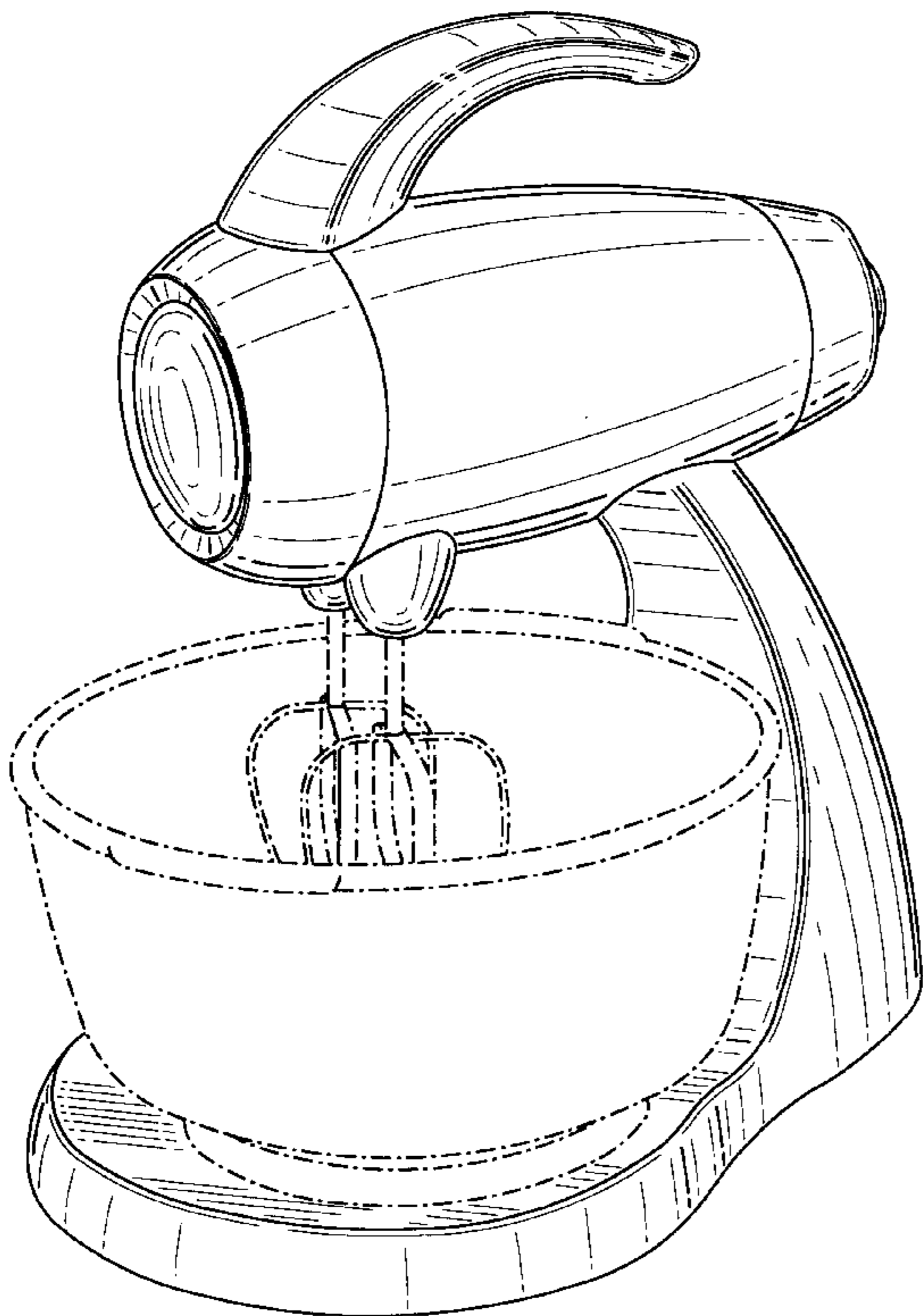
(57) **CLAIM**

I claim the ornamental design for a food mixer, substantially as shown.

DESCRIPTION

FIG. 1 is a front/right-side/top perspective view of a food mixer showing my new design;
 FIG. 2 is a front elevational view thereof;
 FIG. 3 is a rear elevational view thereof;
 FIG. 4 is a right-side elevational view thereof;
 FIG. 5 is a left-side elevational view thereof;
 FIG. 6 is a top plan view thereof; and,
 FIG. 7 is a bottom plan view thereof.
 The broken lines shown in FIGS. 1-7 are for illustrative purposes only and form no part of the claimed design.

1 Claim, 7 Drawing Sheets



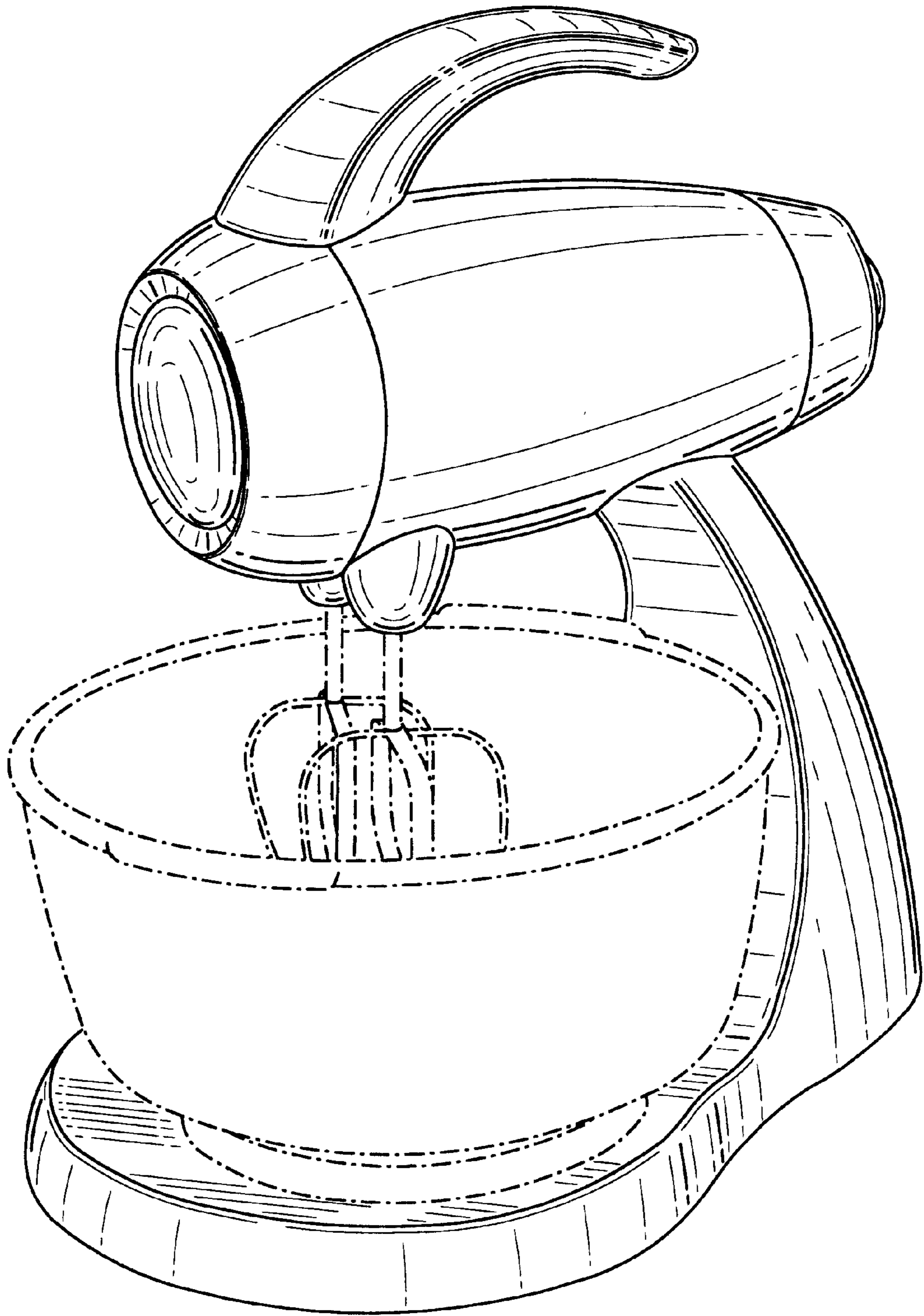


FIG. 1

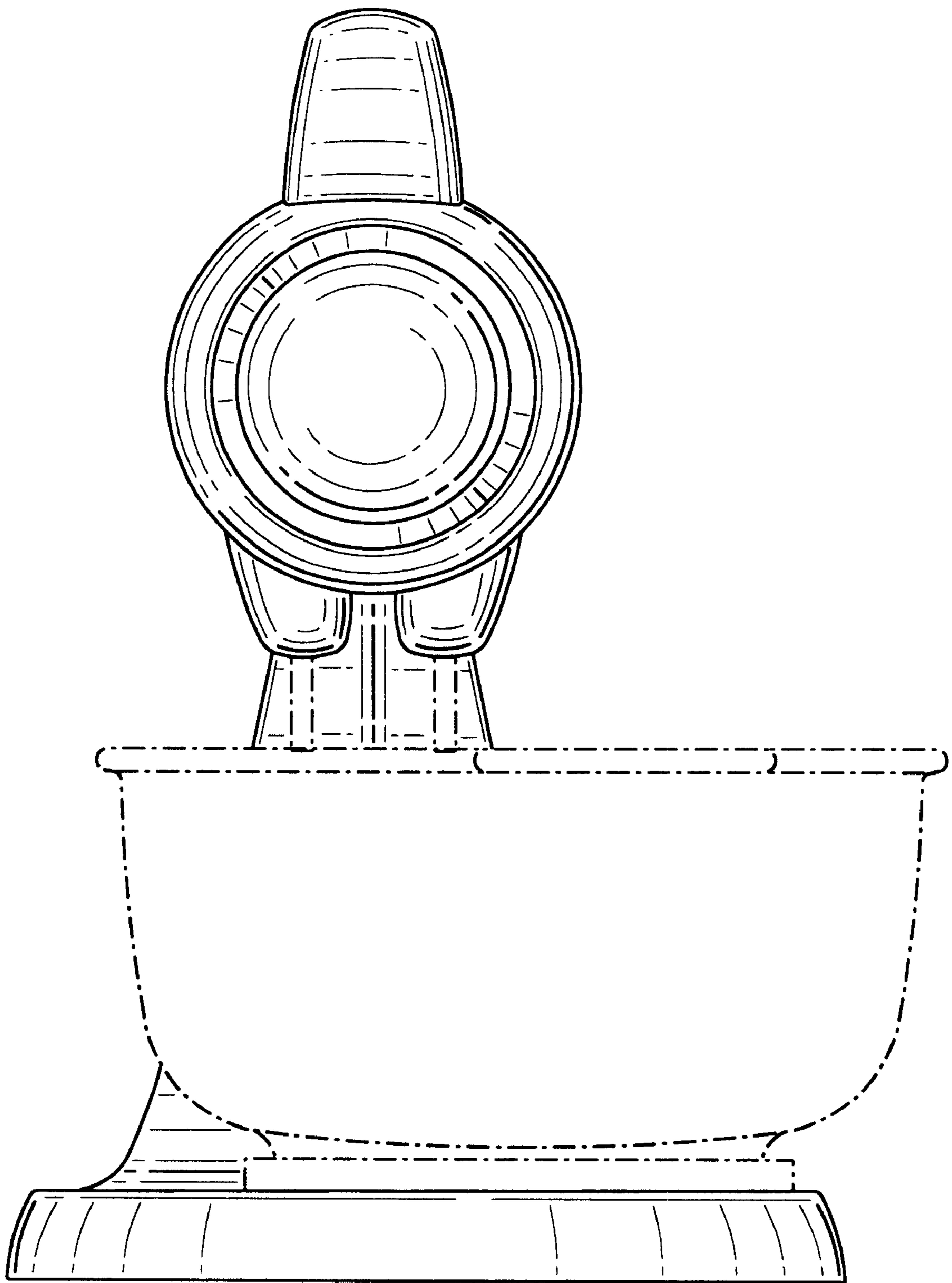


FIG. 2

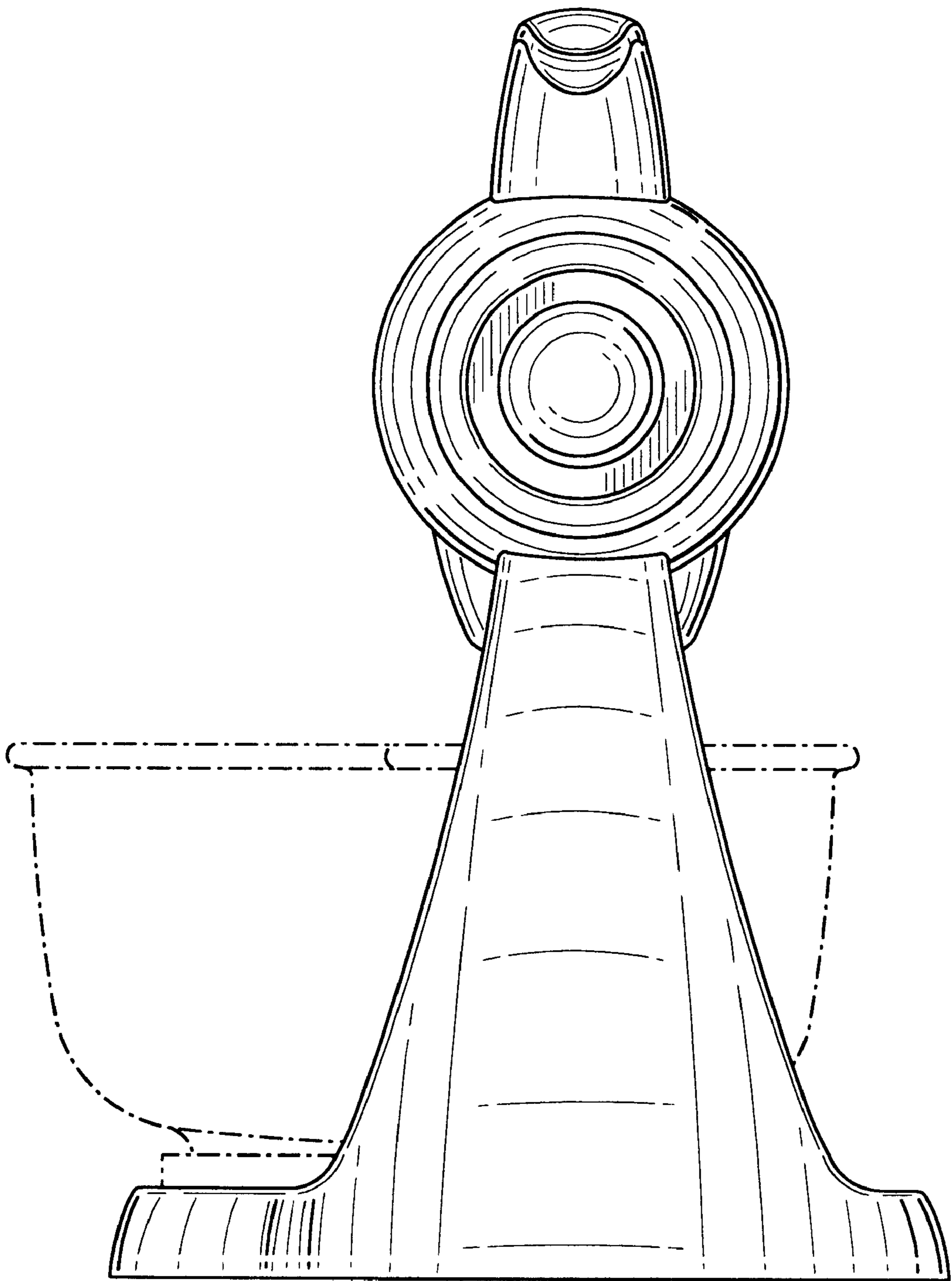


FIG. 3

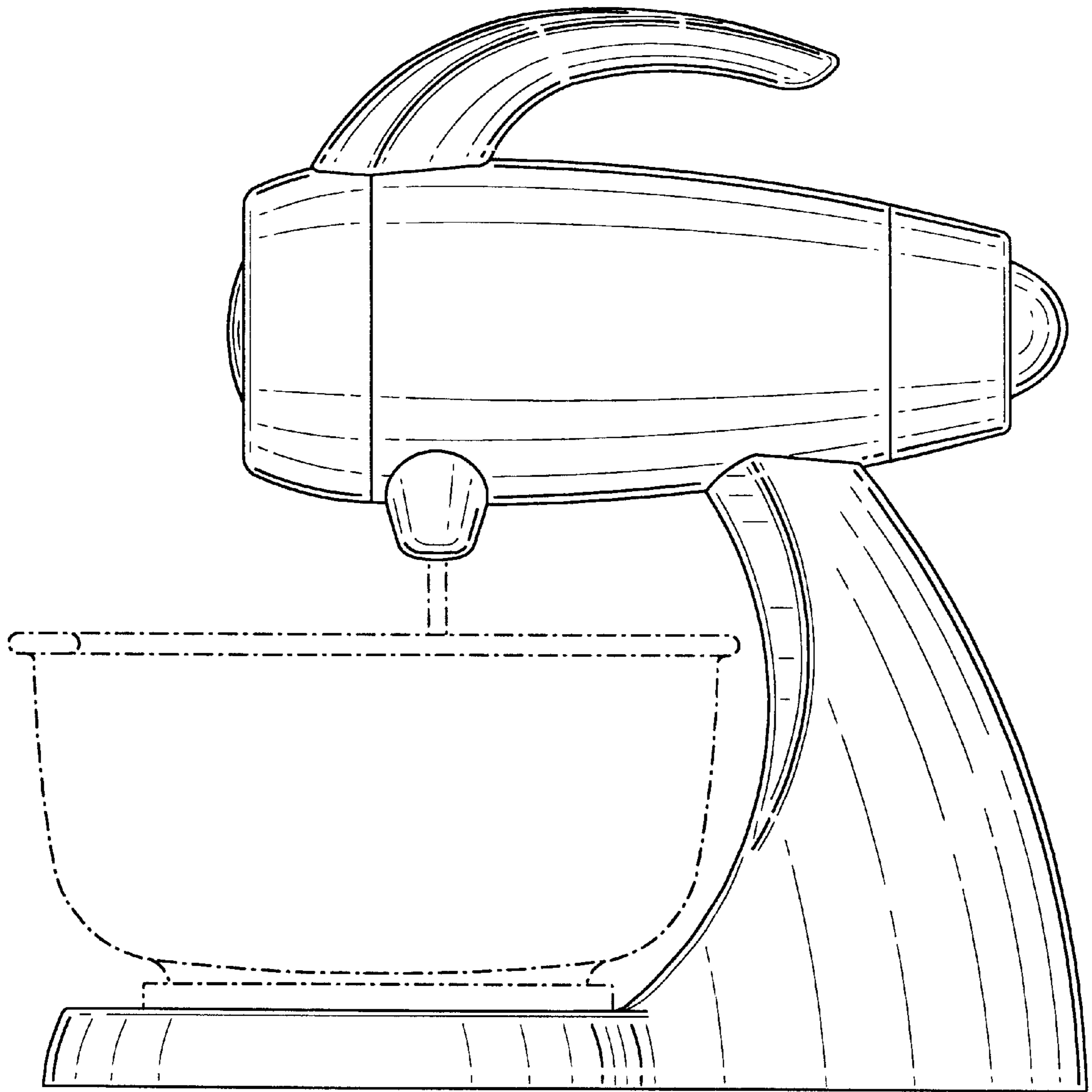


FIG. 4

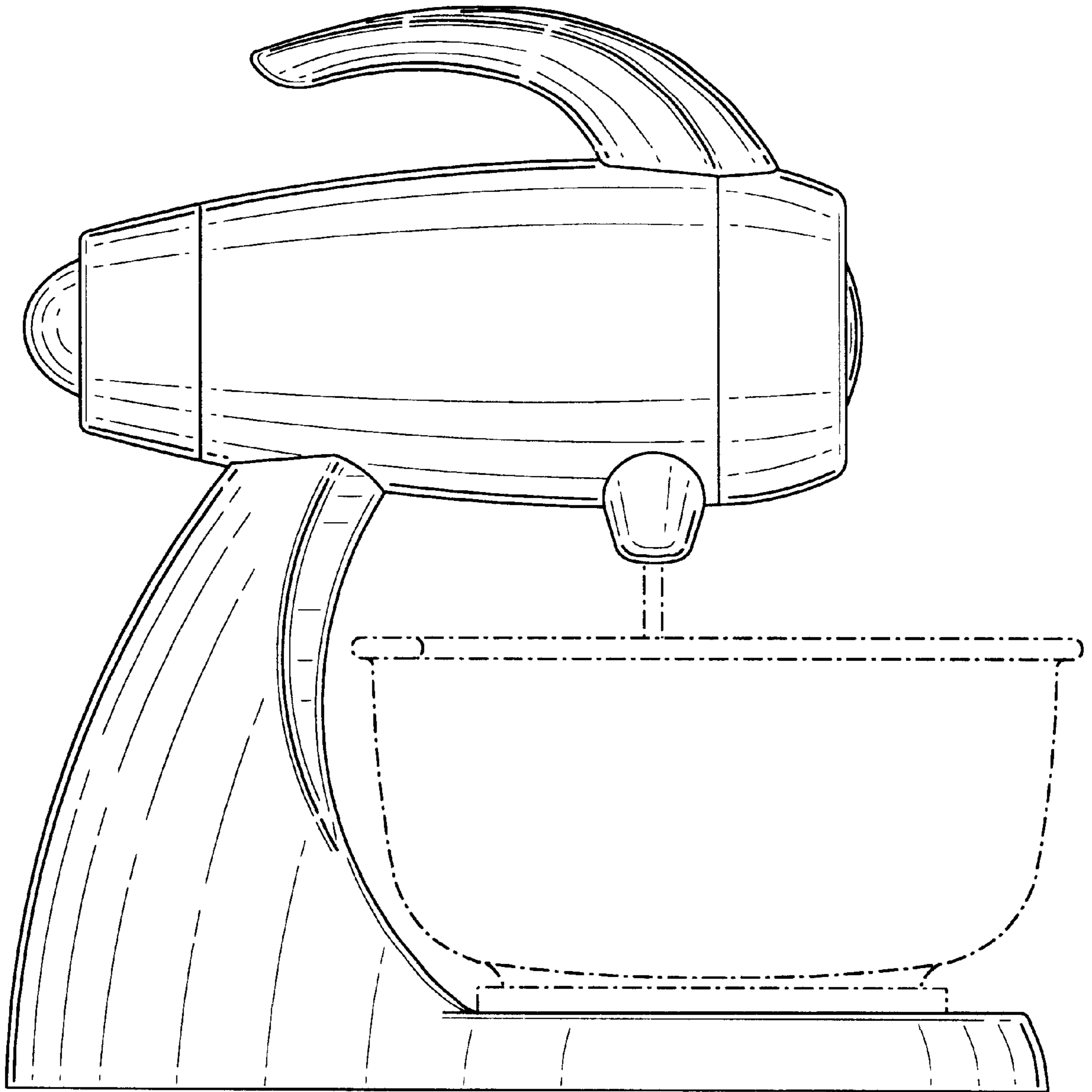


FIG. 5

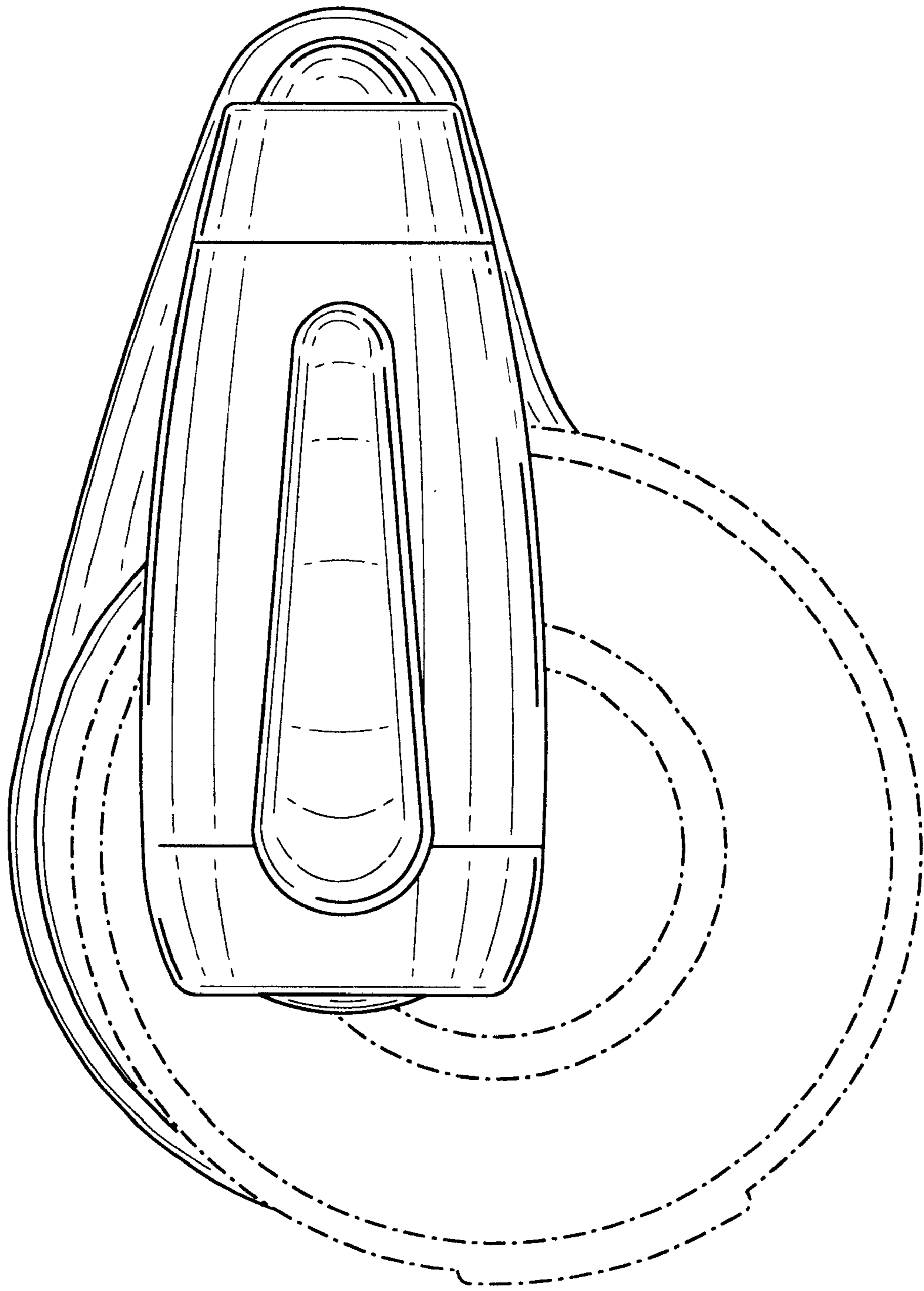


FIG. 6

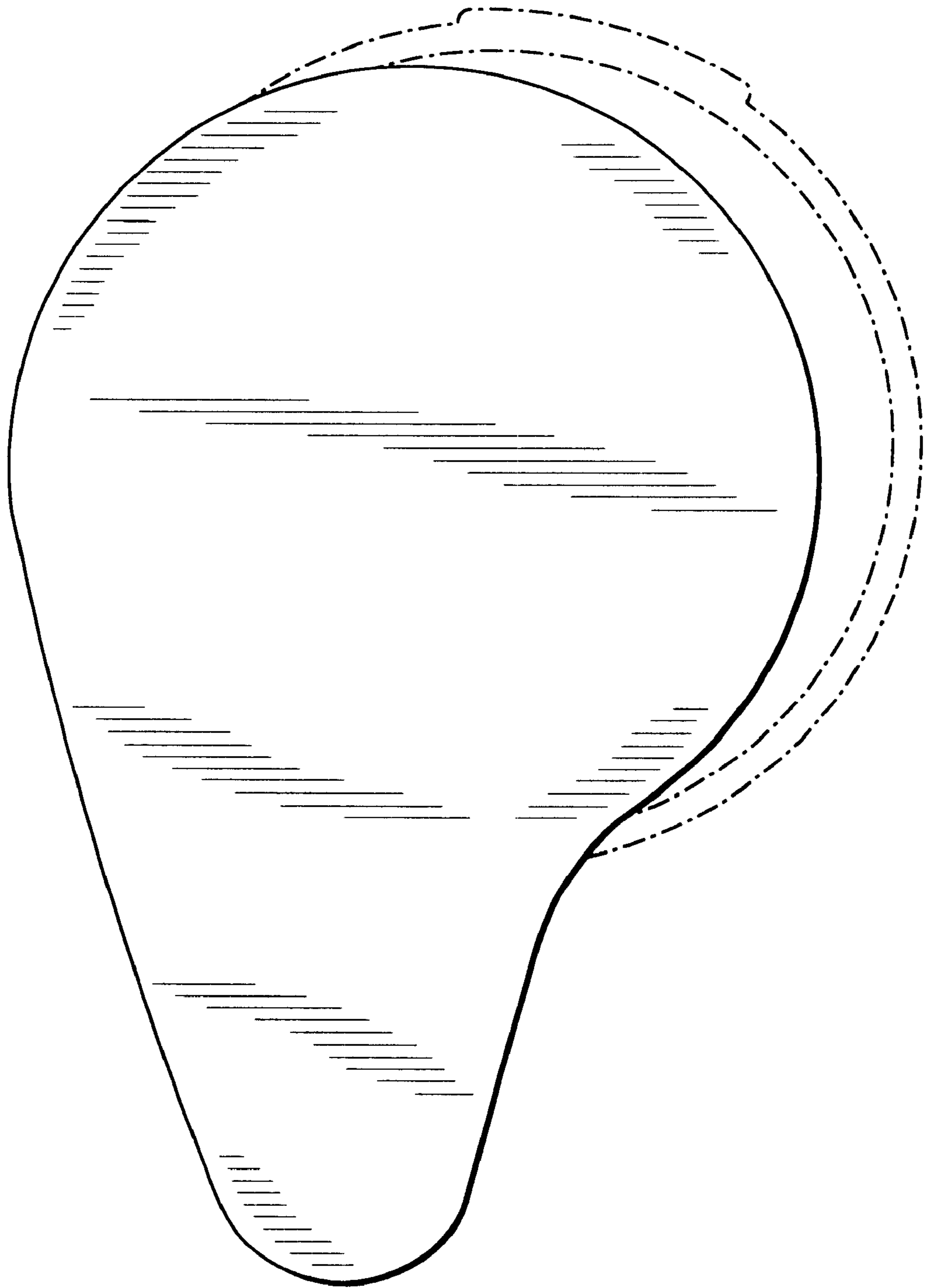


FIG. 7