



US00D465696S

(12) **United States Design Patent**
Taira

(10) **Patent No.:** **US D465,696 S**

(45) **Date of Patent:** **** *Nov. 19, 2002**

(54) **MICROWAVE OVEN**

(75) **Inventor:** **Tomoki Taira, Osaka-fu (JP)**

(73) **Assignee:** **Sharp Kabushiki Kaisha, Osaka (JP)**

(*) **Notice:** This patent is subject to a terminal disclaimer.

(**) **Term:** **14 Years**

(21) **Appl. No.:** **29/137,139**

(22) **Filed:** **Feb. 13, 2001**

Related U.S. Application Data

(63) Continuation of application No. 29/121,591, filed on Apr. 11, 2000, now abandoned.

(30) **Foreign Application Priority Data**

Oct. 12, 1999 (JP) 11-27972

(51) **LOC (7) Cl.** **07-02**

(52) **U.S. Cl.** **D7/351**

(58) **Field of Search** D7/350.1-350.4,
D7/351, 402; 126/273 R, 273 A, 275 R,
275 E, 19 M, 21 A; 219/678, 680, 756-758

(56) **References Cited**

U.S. PATENT DOCUMENTS

- D295,356 S * 4/1988 Nambu et al. D7/351
- D305,596 S * 1/1990 Nishibori D7/351
- D305,600 S * 1/1990 Iwahashi D7/351
- D305,856 S * 2/1990 Iwahashi D7/351
- D305,970 S * 2/1990 Nishibori D7/351
- D313,919 S * 1/1991 Naito et al. D7/351
- D329,353 S 9/1992 Yamada
- D334,504 S * 4/1993 Edwards D7/326
- D334,688 S 4/1993 Kitae et al.

- D335,064 S 4/1993 Sugiyama et al.
- D352,636 S 11/1994 Nakamura
- D352,866 S * 11/1994 Kindley et al. D7/351
- D353,510 S 12/1994 Nakamura
- D353,511 S 12/1994 Saimen
- D353,512 S 12/1994 Saimen et al.
- D356,006 S 3/1995 Saimen et al.
- D357,159 S 4/1995 Mitsui et al.
- D367,991 S 3/1996 Saimen
- D367,992 S 3/1996 Saimen
- D368,405 S 4/1996 Tada
- D368,406 S 4/1996 Nakamura
- D372,058 S * 7/1996 Yang D21/524
- D373,502 S 9/1996 Fujii et al.
- D390,411 S 2/1998 Nakagawa
- D390,412 S 2/1998 Takimoto
- D410,813 S 6/1999 Fujii
- D410,814 S 6/1999 Koike
- D443,172 S 6/2001 Taira

* cited by examiner

Primary Examiner—Ruth McInroy
(74) *Attorney, Agent, or Firm*—Nixon & Vanderhye

(57) **CLAIM**

The ornamental design for a microwave oven, as shown and described.

DESCRIPTION

FIG. 1 is a top, front and right side perspective view of a microwave oven showing my new design;
FIG. 2 is a top plan view thereof;
FIG. 3 is a front elevational view thereof;
FIG. 4 is a right side elevational view thereof;
FIG. 5 is a left side elevational view thereof;
FIG. 6 is a rear elevational view thereof; and,
FIG. 7 is a bottom plan view thereof.

1 Claim, 4 Drawing Sheets

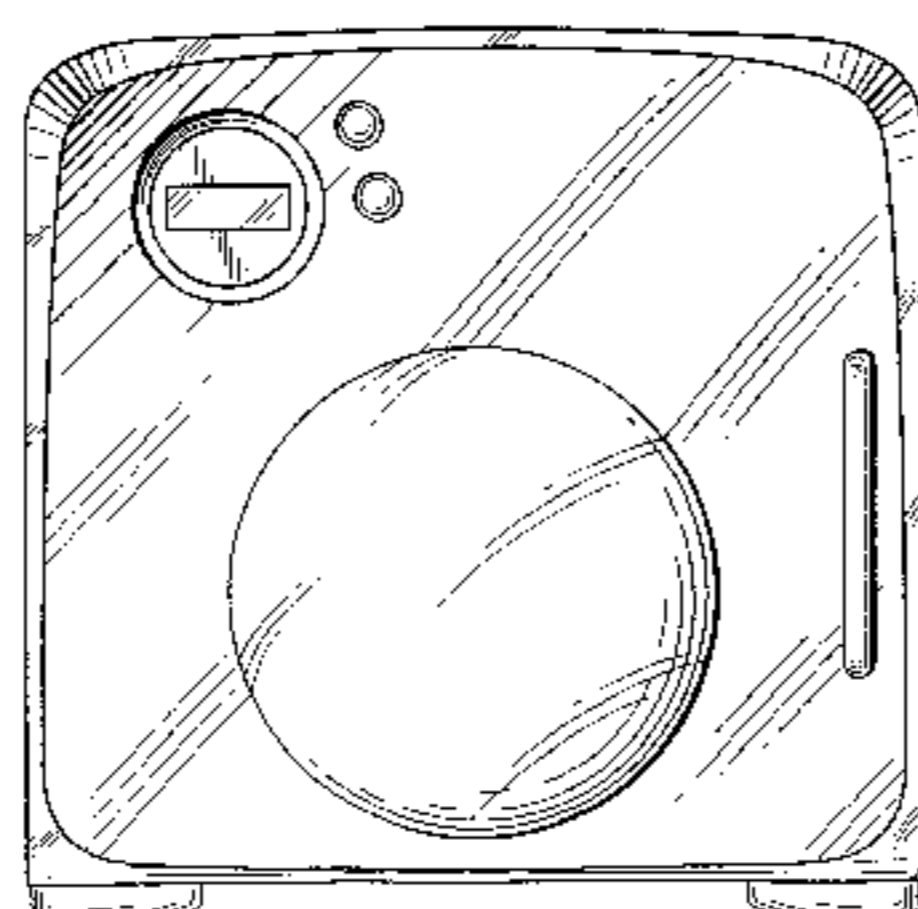
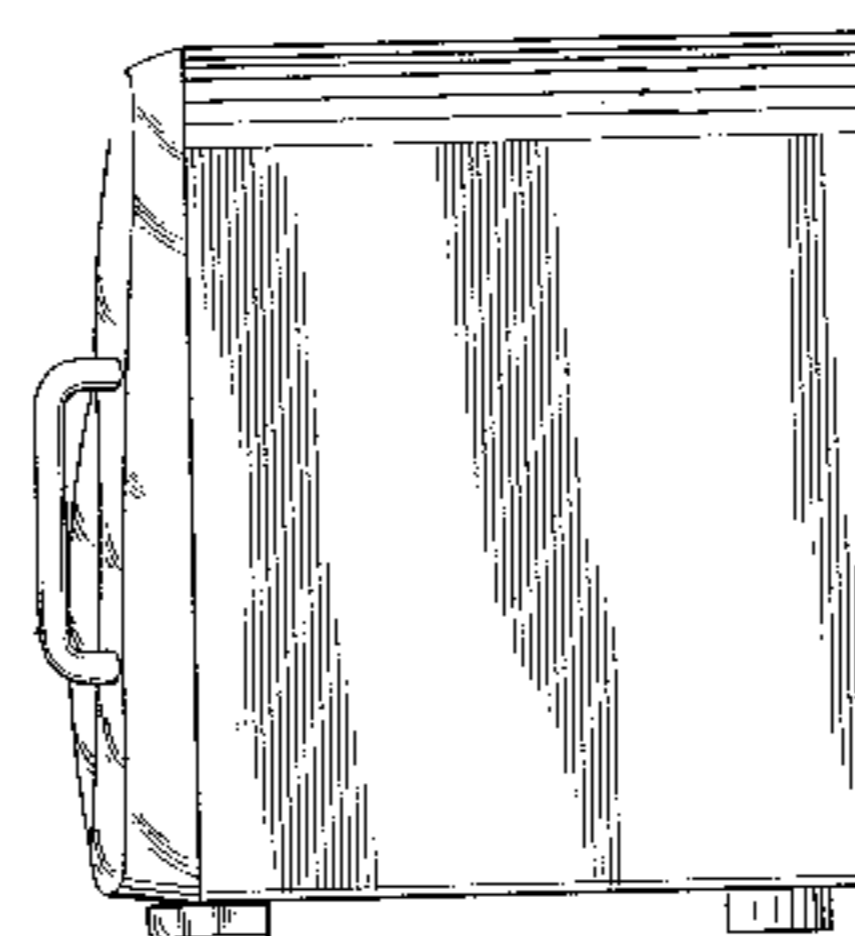
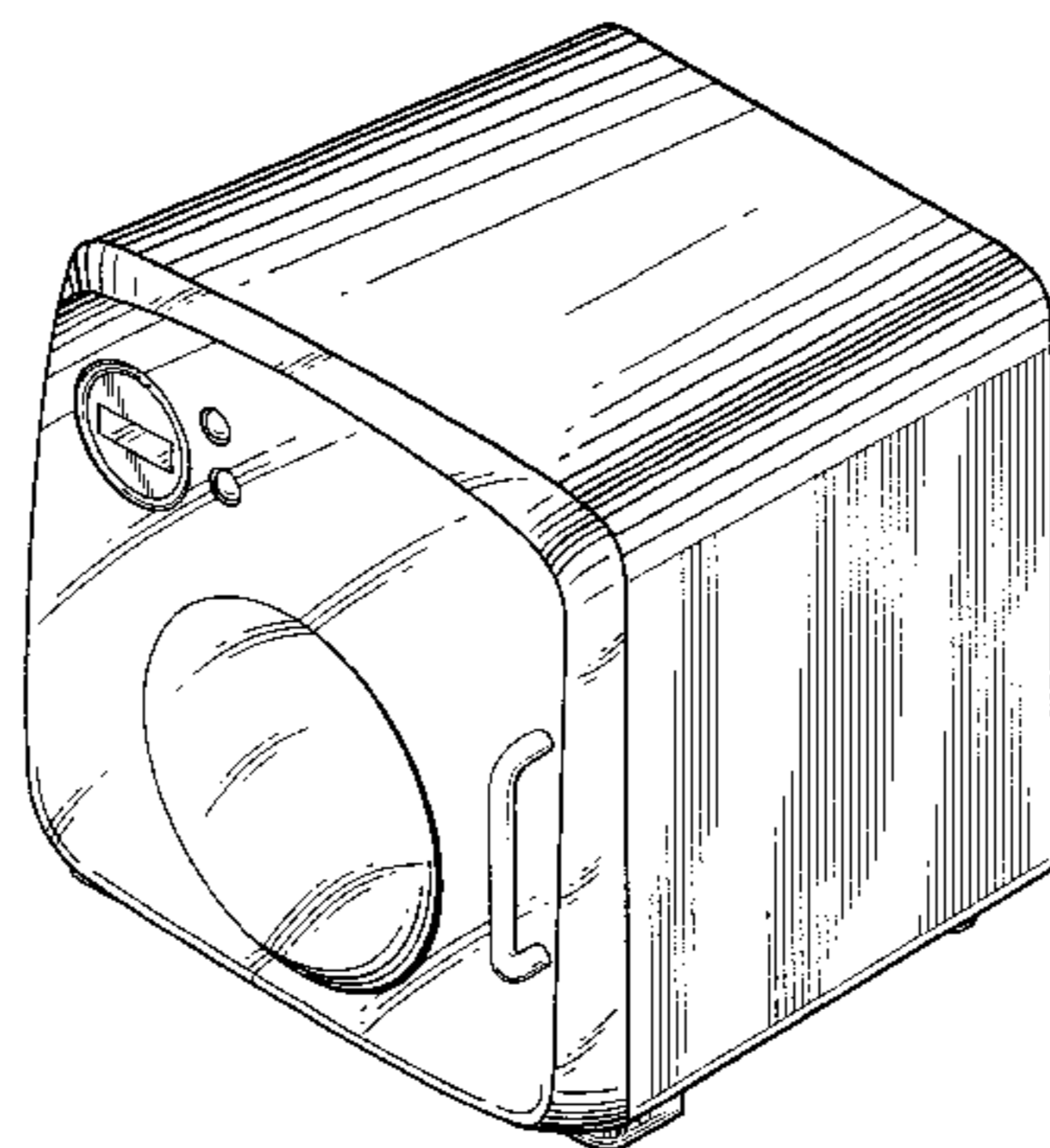


FIG. 1

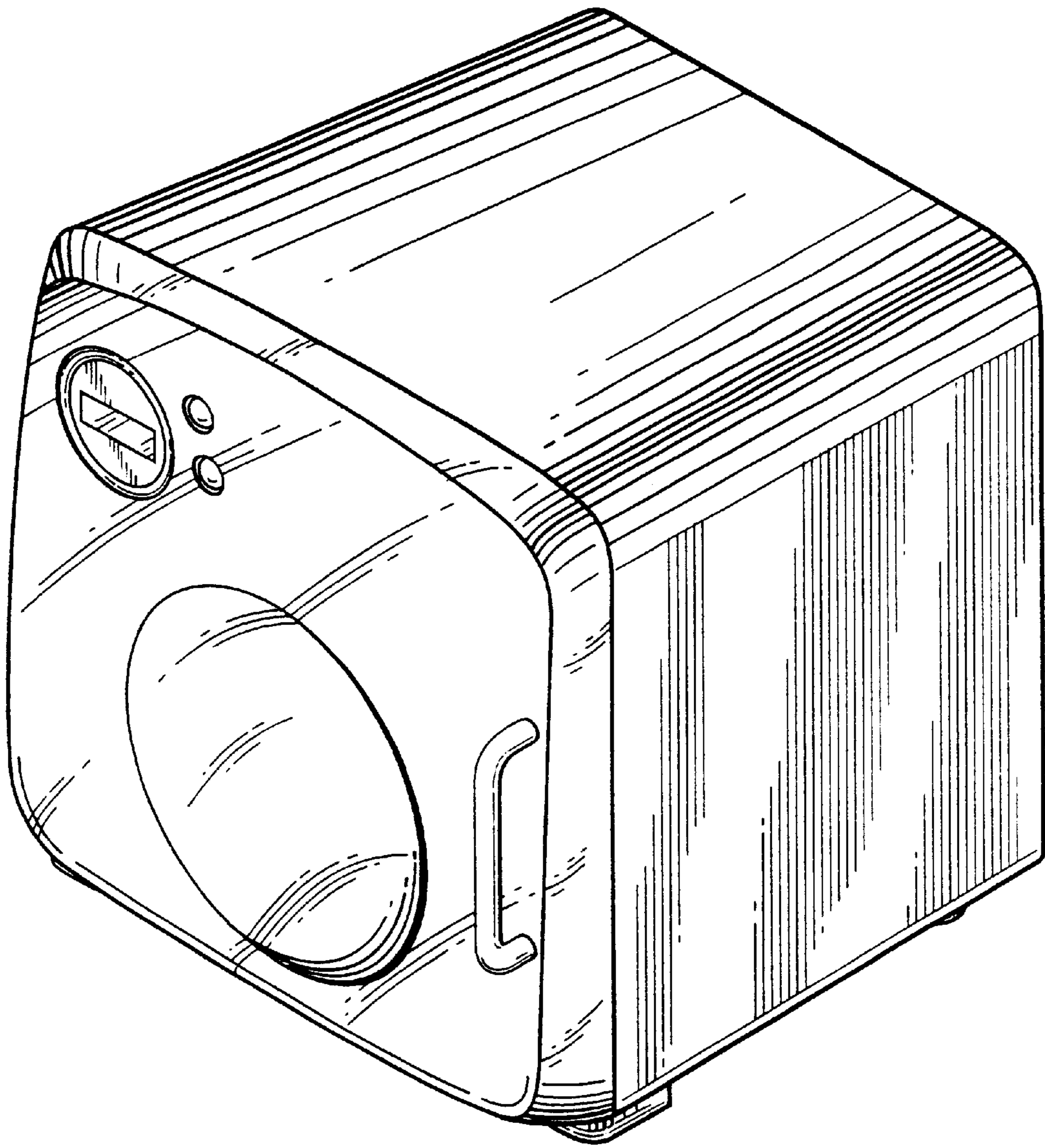


FIG. 2

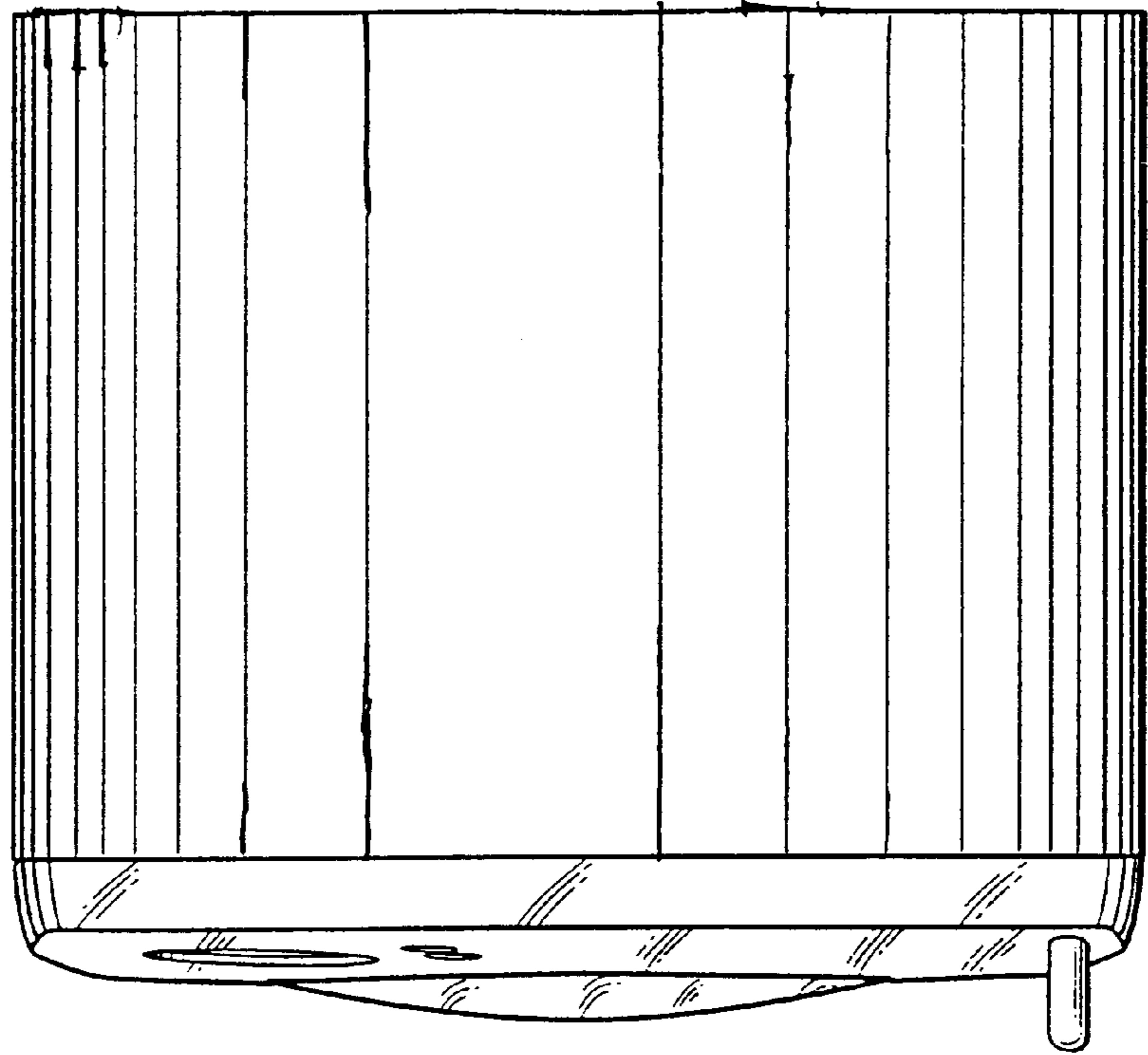


FIG. 3

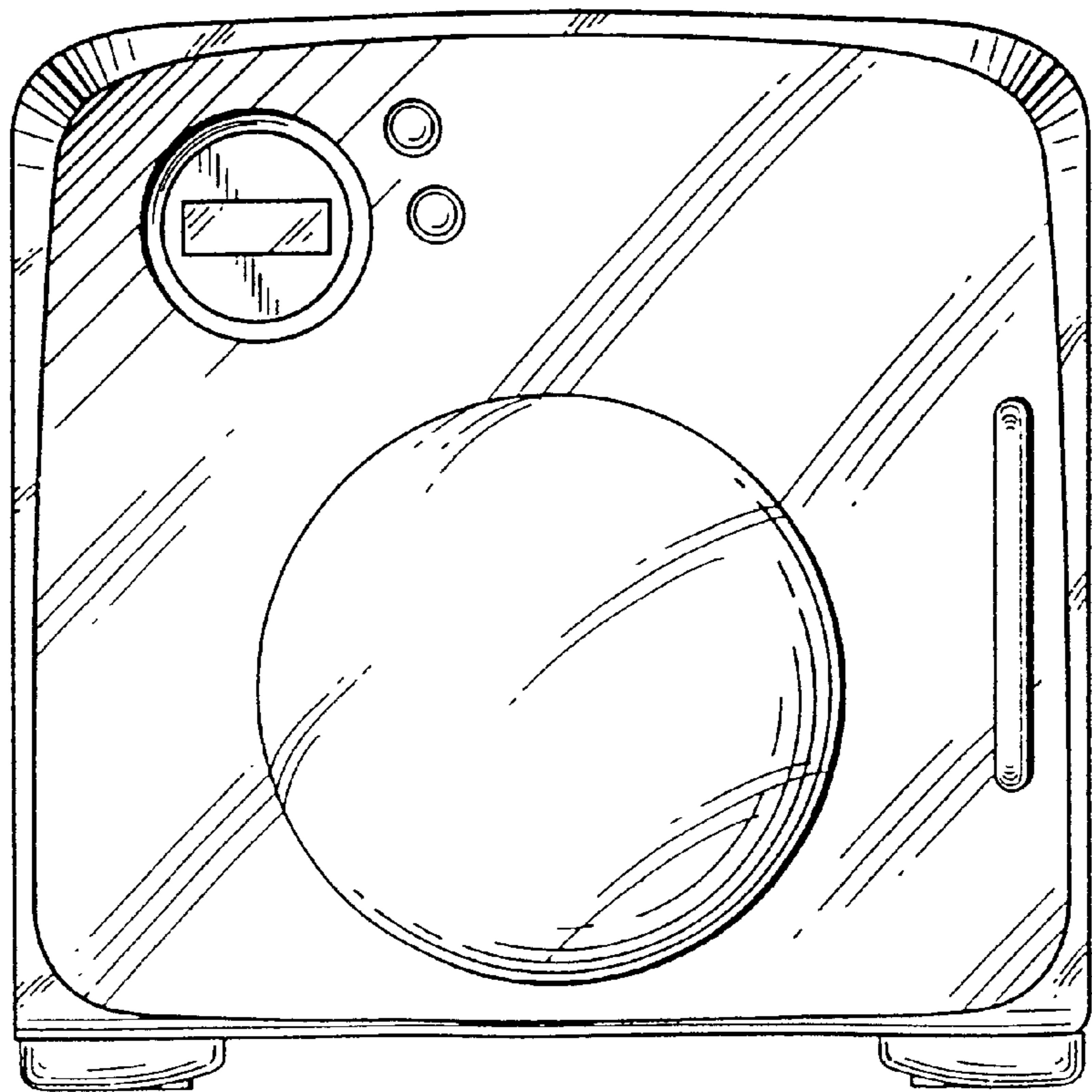


FIG. 4

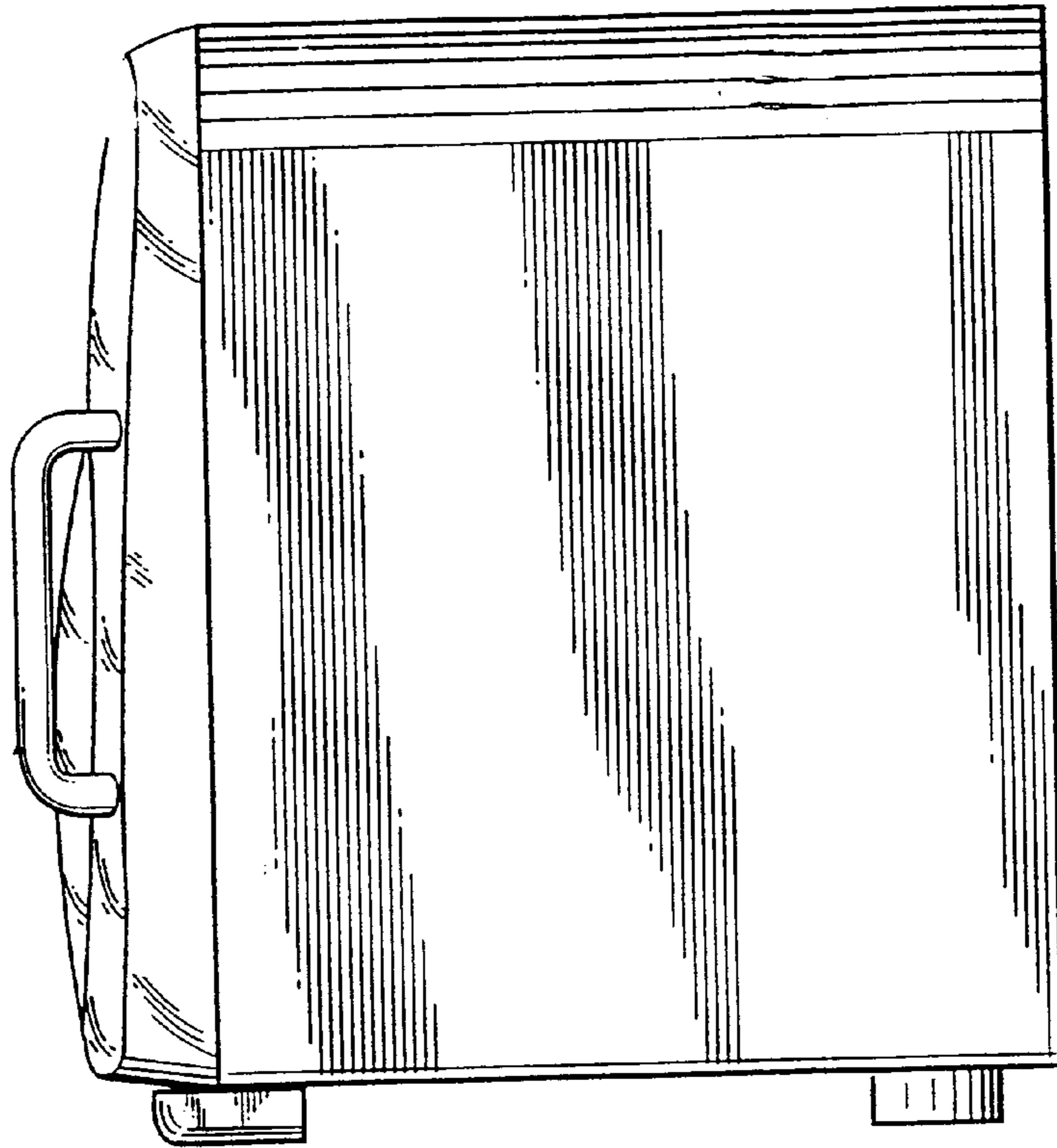


FIG. 5

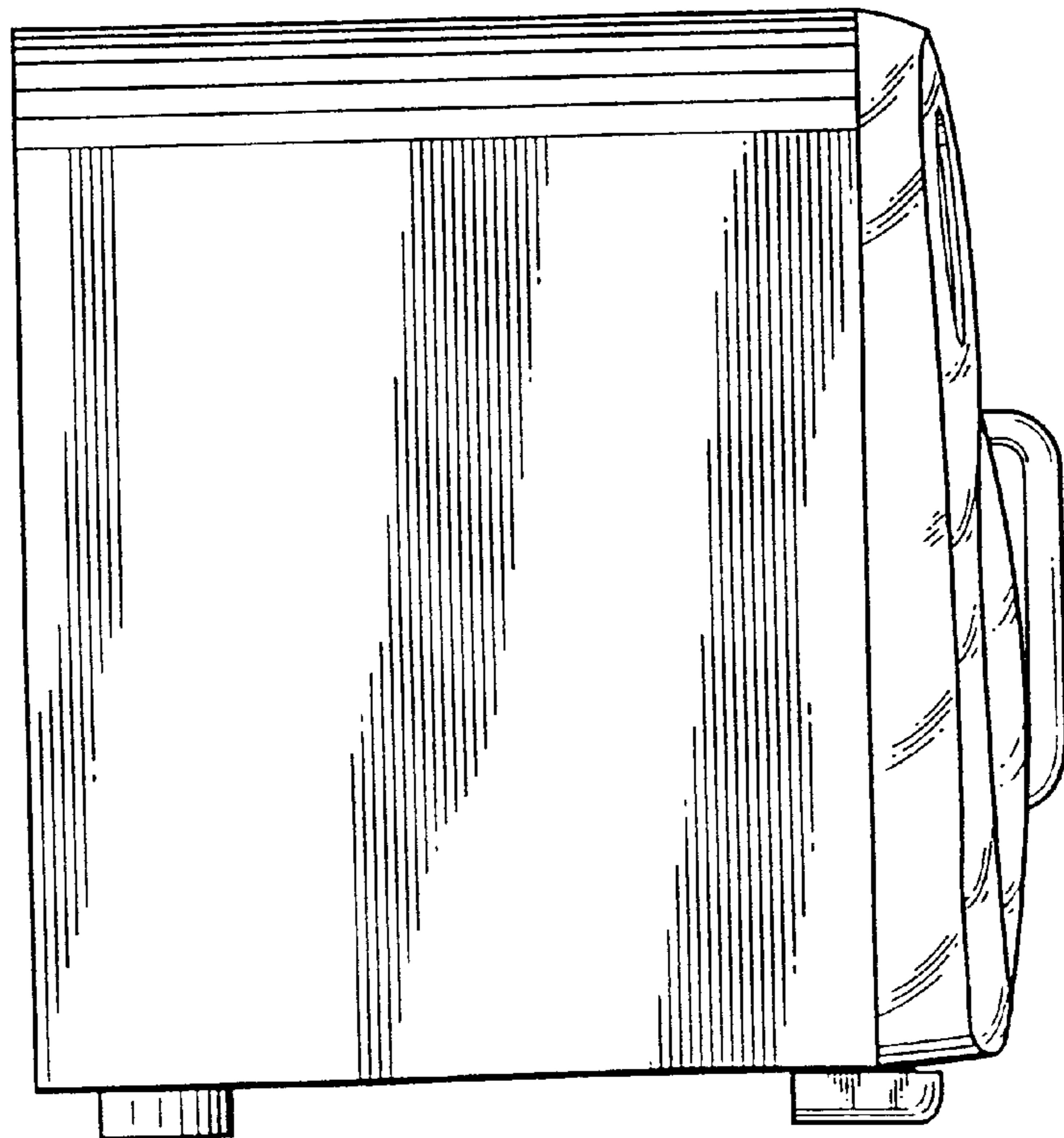


FIG. 6

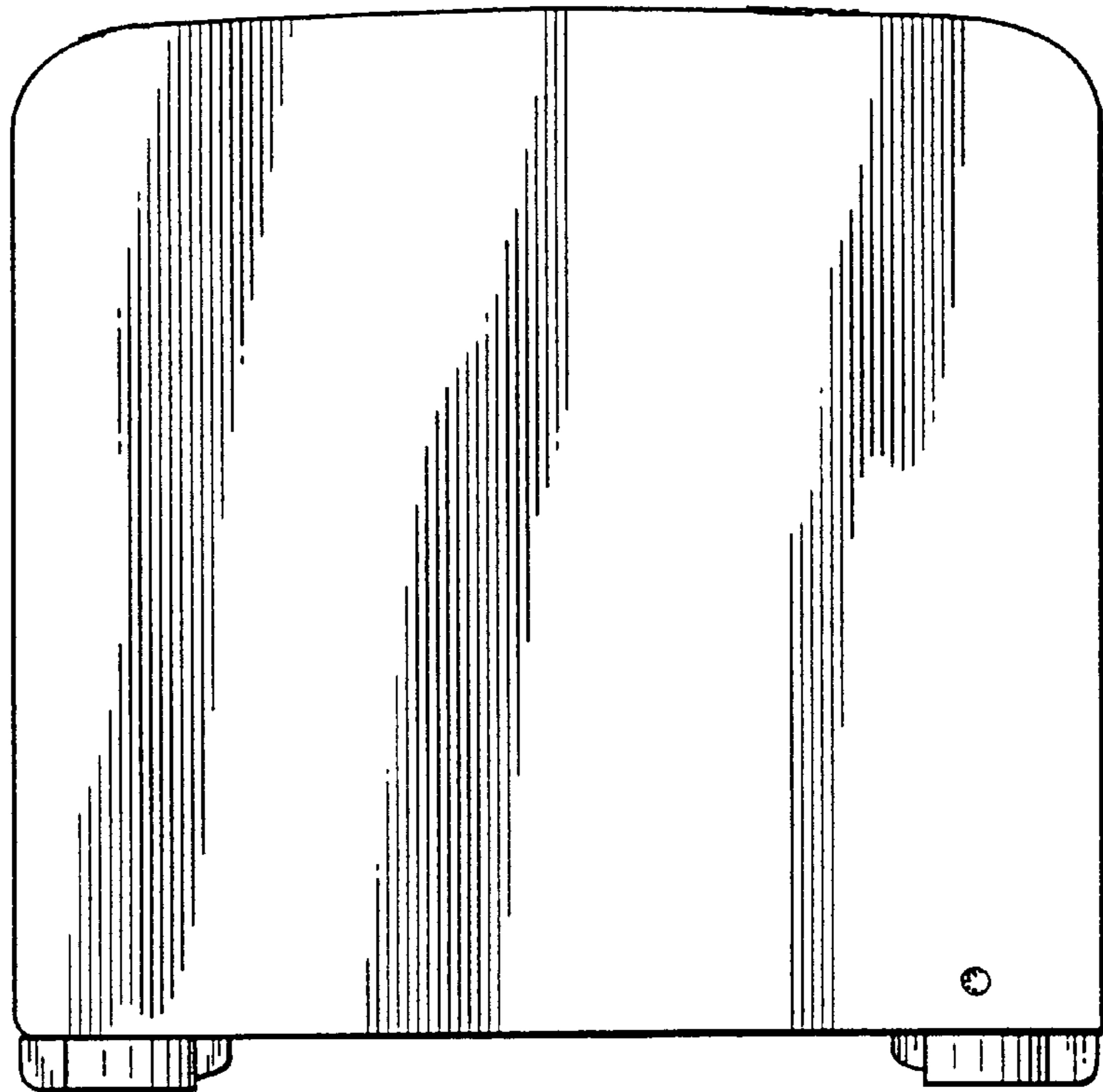


FIG. 7

