



US00D465693S

(12) **United States Design Patent**  
**Coleman et al.**

(10) **Patent No.:** **US D465,693 S**

(45) **Date of Patent:** **\*\* Nov. 19, 2002**

(54) **CART MOUNTED BARBECUE GRILL WITH ELONGATED HOOD**

(75) Inventors: **Brian Coleman**, Columbus, GA (US);  
**Mark Stone**, Canterbury (AU)

(73) Assignee: **W. C. Bradley Company**, Columbus, GA (US)

(\*\*) Term: **14 Years**

(21) Appl. No.: **29/146,477**

(22) Filed: **Aug. 10, 2001**

(51) **LOC (7) Cl.** ..... **07-02**

(52) **U.S. Cl.** ..... **D7/334**

(58) **Field of Search** ..... D7/332-337, 402,  
D7/403, 404; 126/25 R, 25 A, 25 AA, 41 R,  
29-30, 9 R; 99/419

(56) **References Cited**

**U.S. PATENT DOCUMENTS**

- D219,629 S \* 12/1970 Koziol ..... D7/344
- D293,067 S \* 12/1987 Stephen et al. .... D7/334
- 4,718,399 A \* 1/1988 Shepherd ..... 126/25 R
- D324,622 S \* 3/1992 Baynes et al. .... D7/334
- D362,153 S \* 9/1995 Home ..... D7/334

- 5,623,866 A \* 4/1997 Home ..... 99/444
- D406,489 S \* 3/1999 Williams et al. .... D7/334
- D406,490 S \* 3/1999 Daniels et al. .... D7/334
- D416,164 S \* 11/1999 Wagner et al. .... D7/334
- D433,279 S \* 11/2000 Schlosser et al. .... D7/402
- D437,177 S \* 2/2001 Giebel et al. .... D7/334
- D450,215 S \* 11/2001 Wood et al. .... D7/334

\* cited by examiner

*Primary Examiner*—Ruth McInroy

(74) *Attorney, Agent, or Firm*—James W. Kayden; Thomas, Kayden, Horstemeyer & Risley, L.L.P

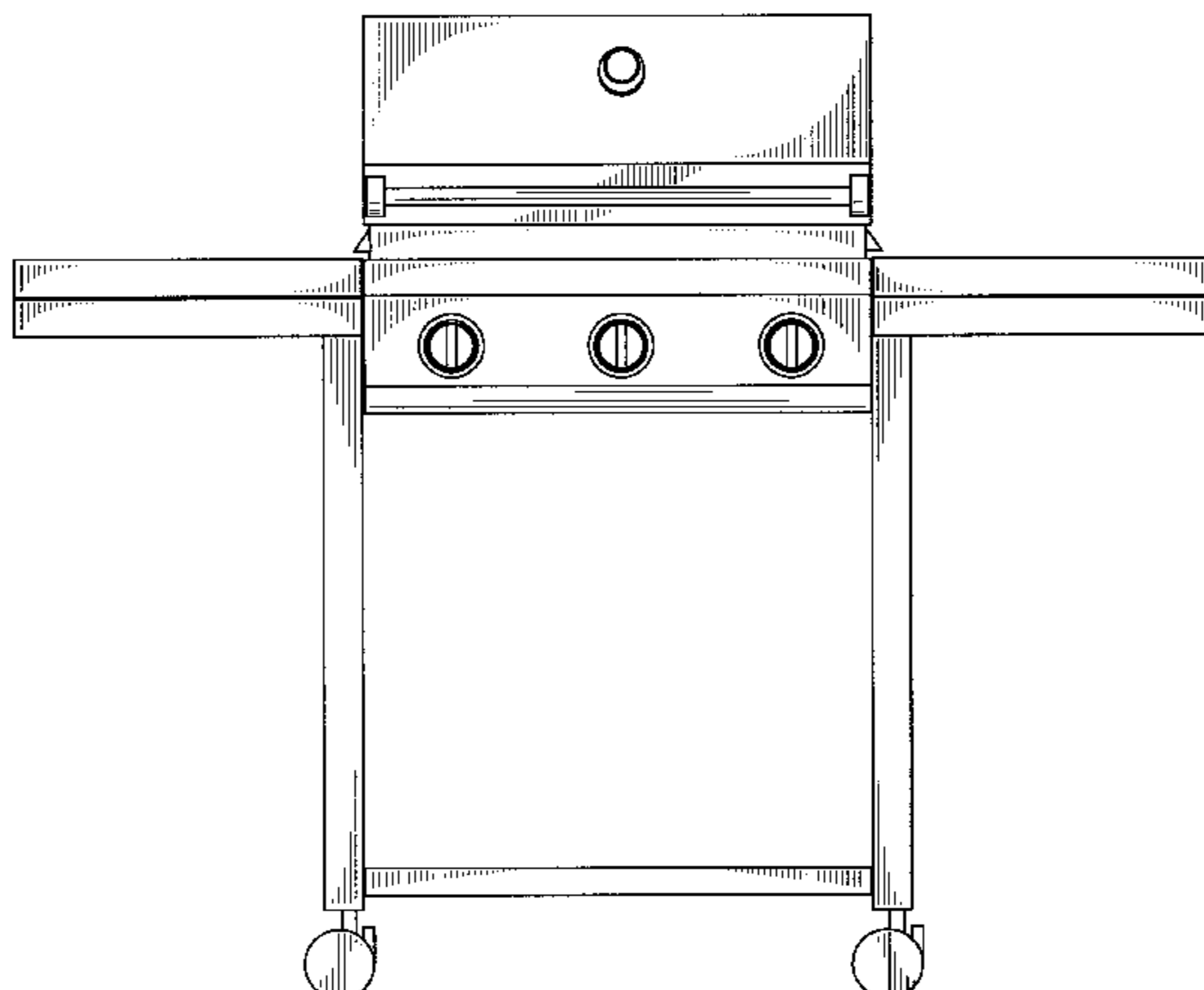
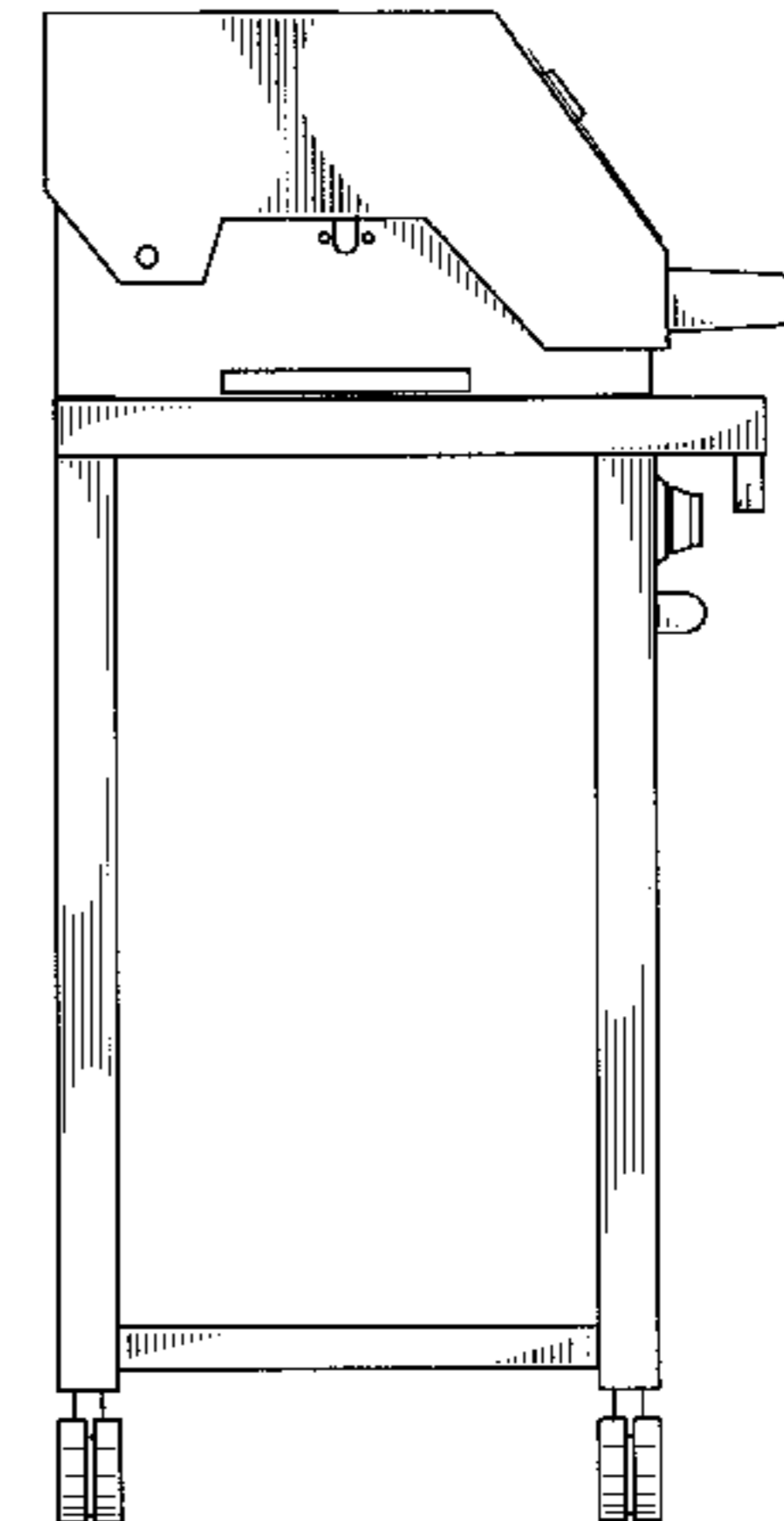
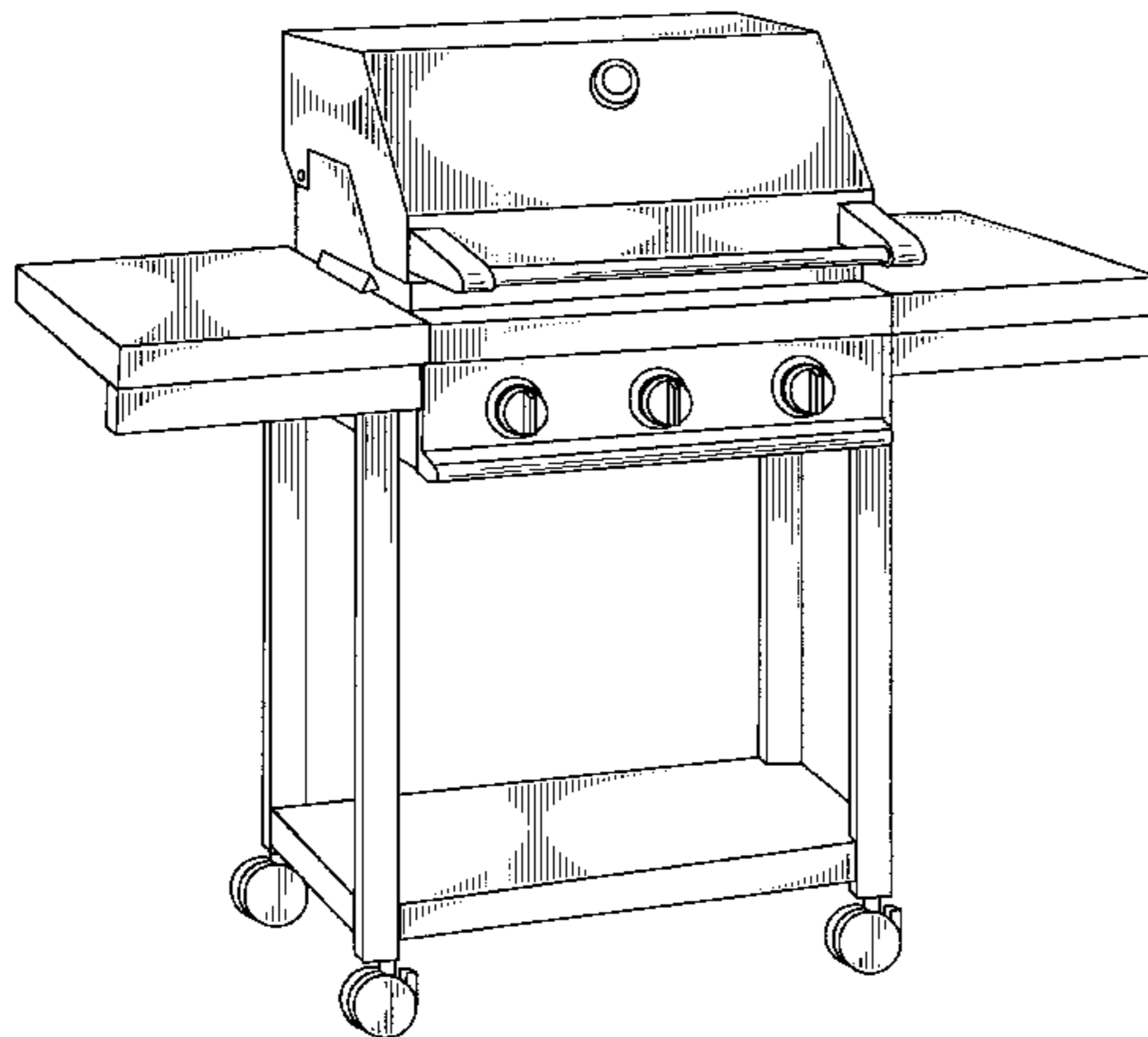
(57) **CLAIM**

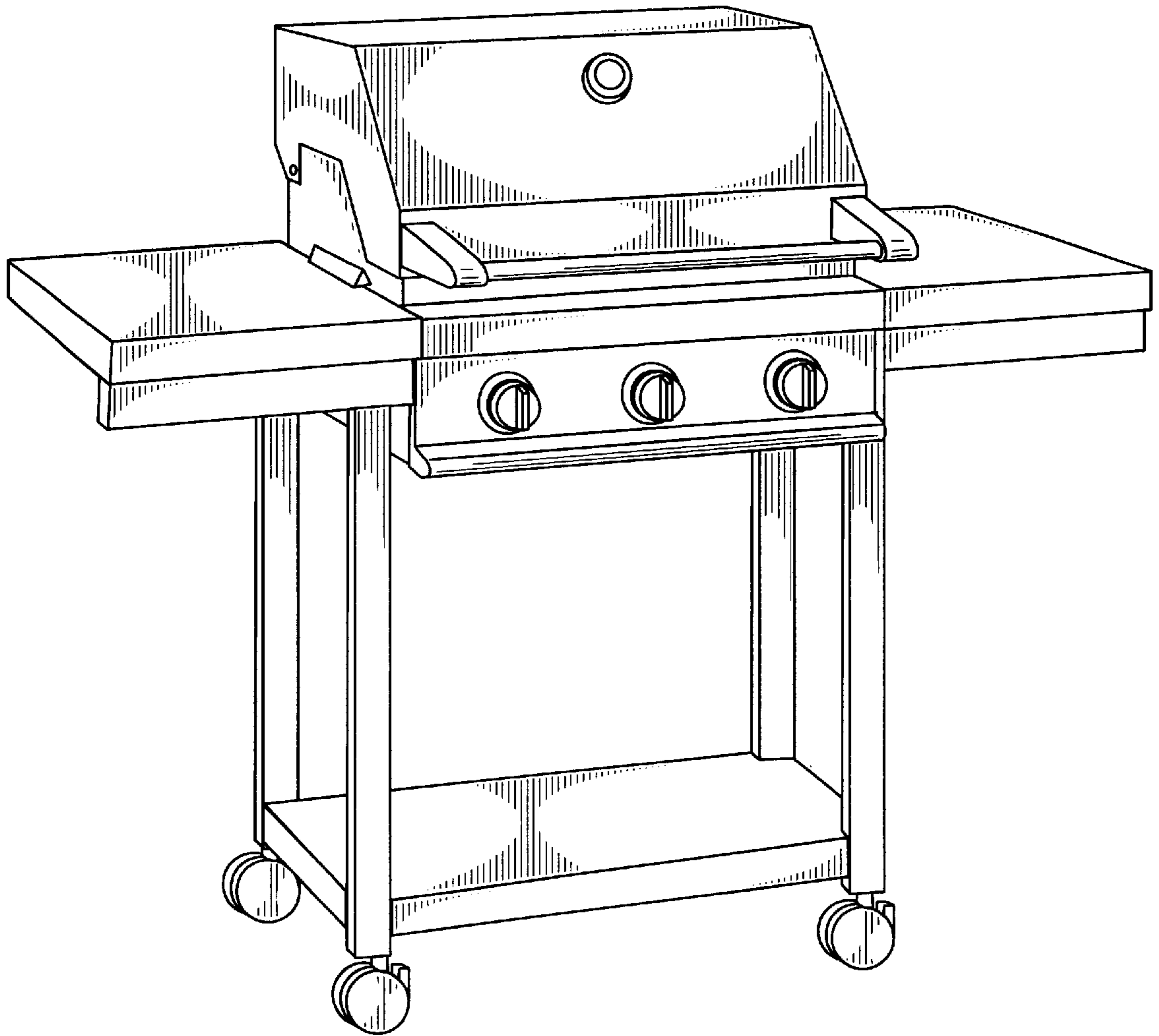
The ornamental design of a cart mounted barbecue grill with elongated hood, as shown and described.

**DESCRIPTION**

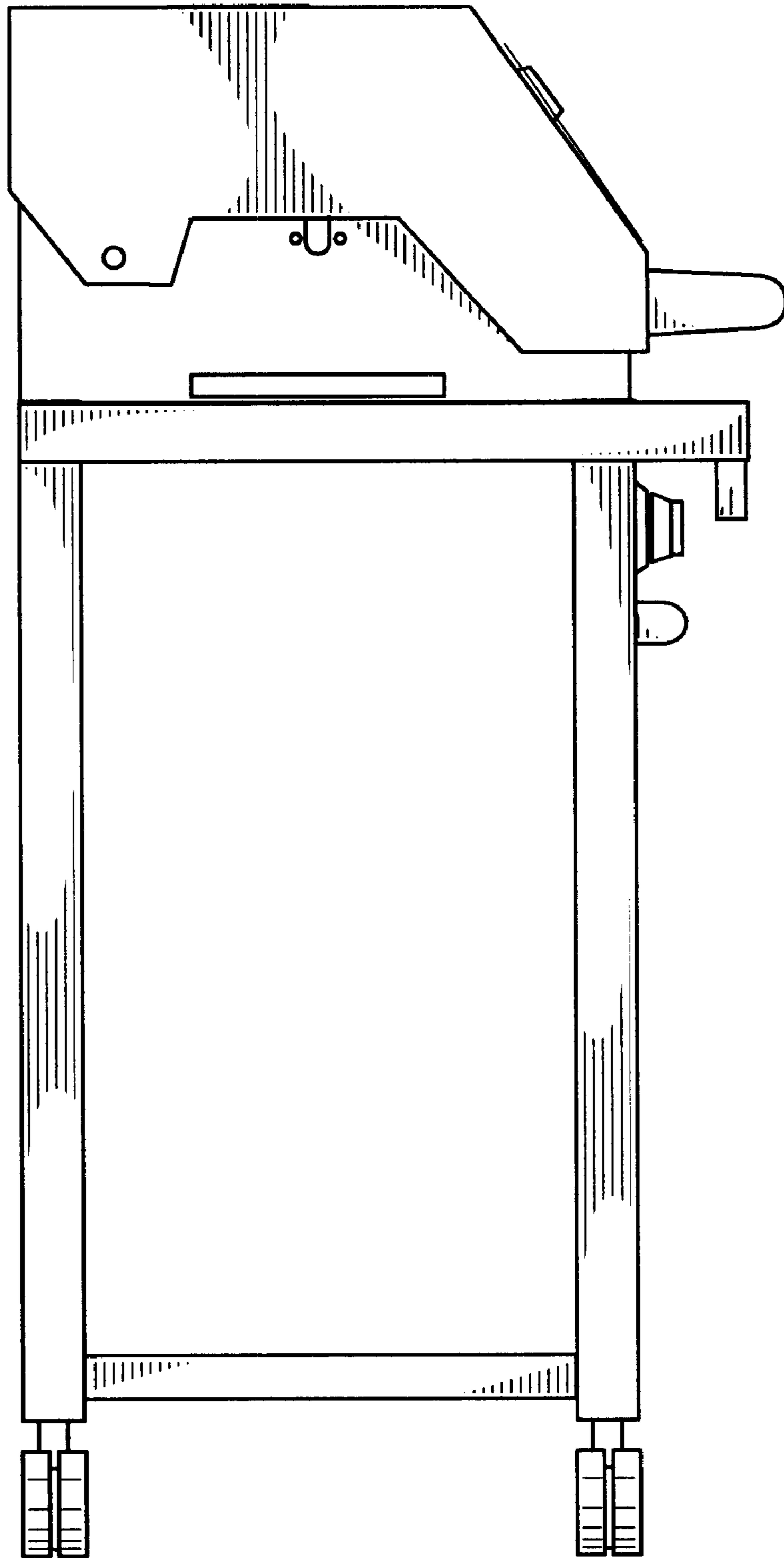
FIG. 1 is a perspective view of a cart mounted barbecue grill with elongated hood showing our new design;  
 FIG. 2 is a left side elevational view thereof with the right side being a mirror image of that which is shown;  
 FIG. 3 is a front elevational view thereof;  
 FIG. 4 is a rear elevational view thereof; and,  
 FIG. 5 is a top plan view thereof.

**1 Claim, 5 Drawing Sheets**

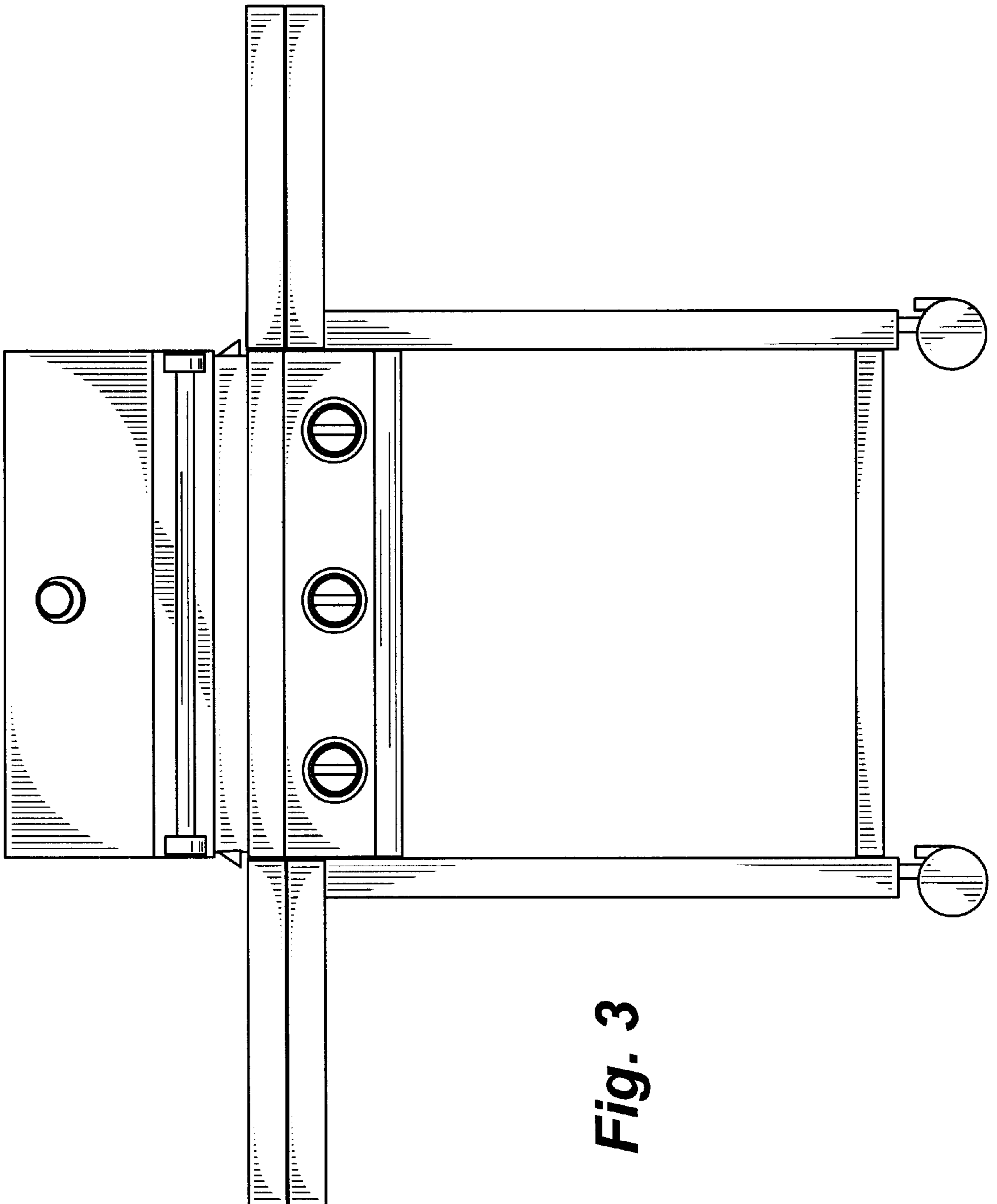




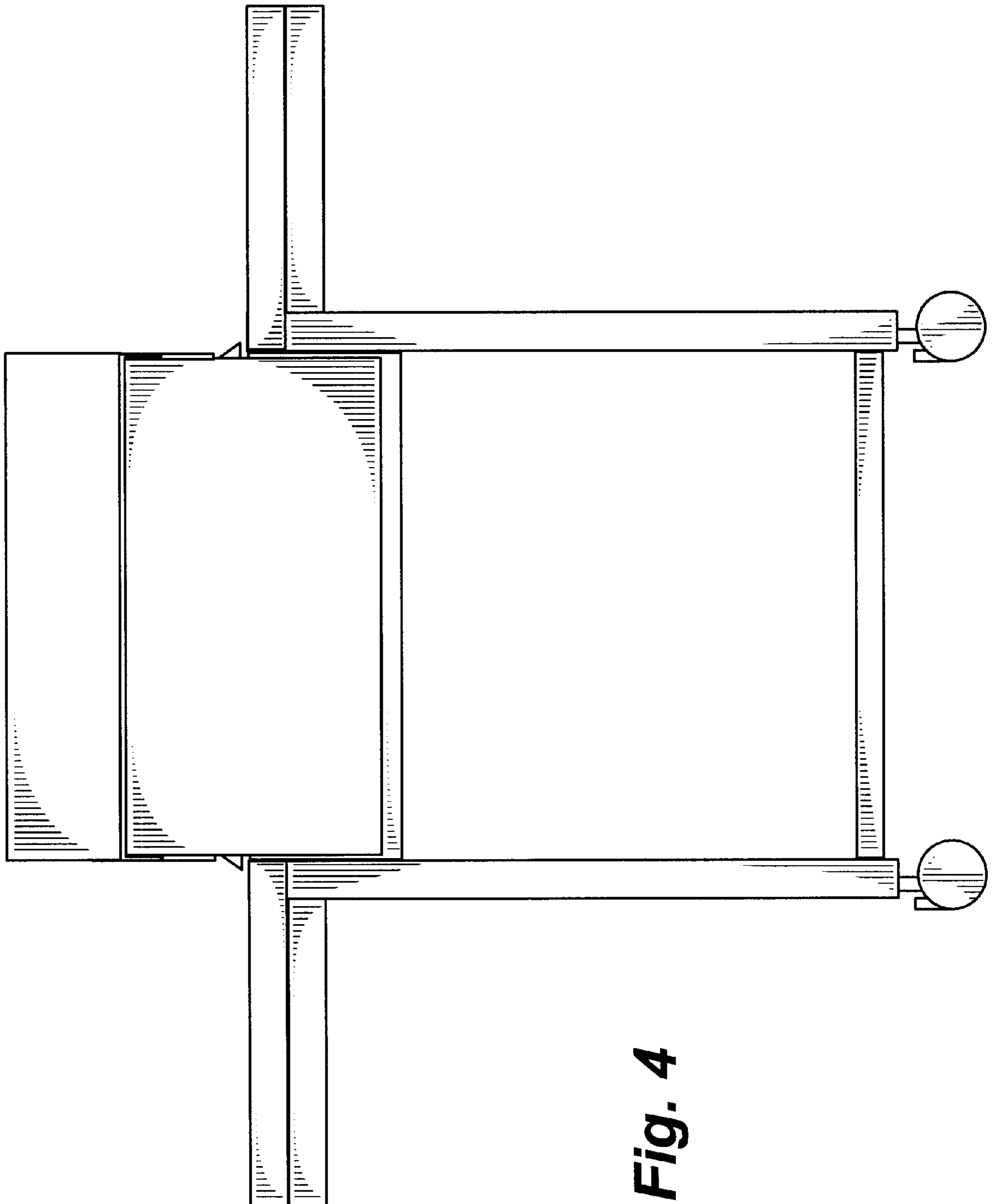
**Fig. 1**



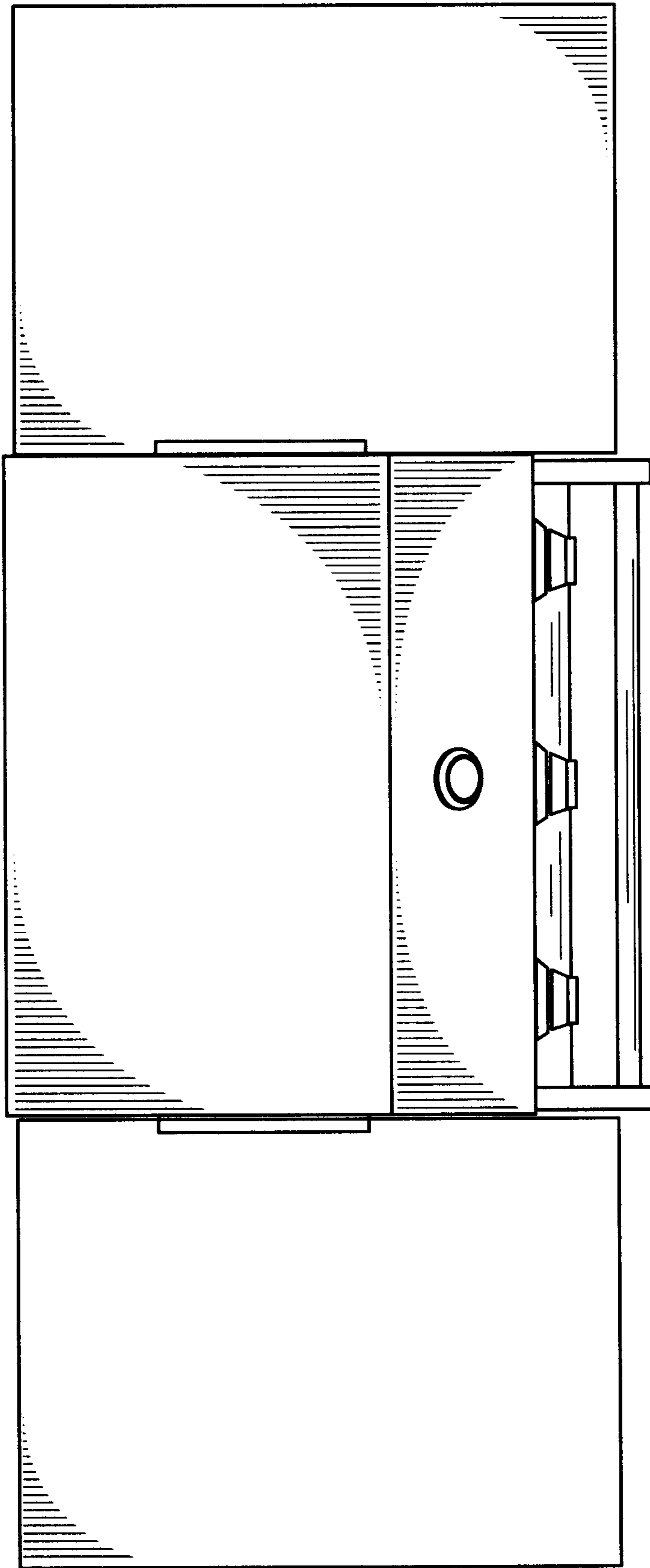
***Fig. 2***



**Fig. 3**



**Fig. 4**



**Fig. 5**