



US00D465692S

(12) **United States Design Patent**  
**Favela**

(10) **Patent No.:** **US D465,692 S**

(45) **Date of Patent:** **\*\* Nov. 19, 2002**

(54) **BARBECUE GRILL**

(76) Inventor: **Manuel Favela**, 1455 E. Francis St.,  
Ontario, CA (US) 91761

(\*\*) Term: **14 Years**

(21) Appl. No.: **29/153,314**

(22) Filed: **Jan. 4, 2002**

(51) **LOC (7) Cl.** ..... **07-02**

(52) **U.S. Cl.** ..... **D7/332**

(58) **Field of Search** ..... D7/332-337, 402,  
D7/403, 404; D21/707, 709, 712-714; 126/25 R,  
25 A, 25 AA, 41 R; 99/419

(56) **References Cited**

**U.S. PATENT DOCUMENTS**

- 2,840,842 A \* 7/1958 Kaheny ..... 15/104.94
- 3,624,939 A \* 12/1971 Gossard ..... 40/721
- D327,376 S \* 6/1992 Piccamiglio ..... D6/358
- D358,324 S \* 5/1995 Mitchell ..... D9/307

- D381,860 S \* 8/1997 Chiang ..... D7/334
- D440,461 S \* 4/2001 Mak ..... D7/332
- D443,793 S \* 6/2001 Ethridge ..... D7/332

\* cited by examiner

*Primary Examiner*—Ruth McInroy

(74) *Attorney, Agent, or Firm*—Stout, Uxa, Buyan &  
Mullins, LLP; Donald E. Stout

(57) **CLAIM**

The ornamental design for a barbecue grill, as shown.

**DESCRIPTION**

FIG. 1 is a top plan view of a barbecue grill showing my new design;

FIG. 2 is a bottom plan view of the barbecue grill;

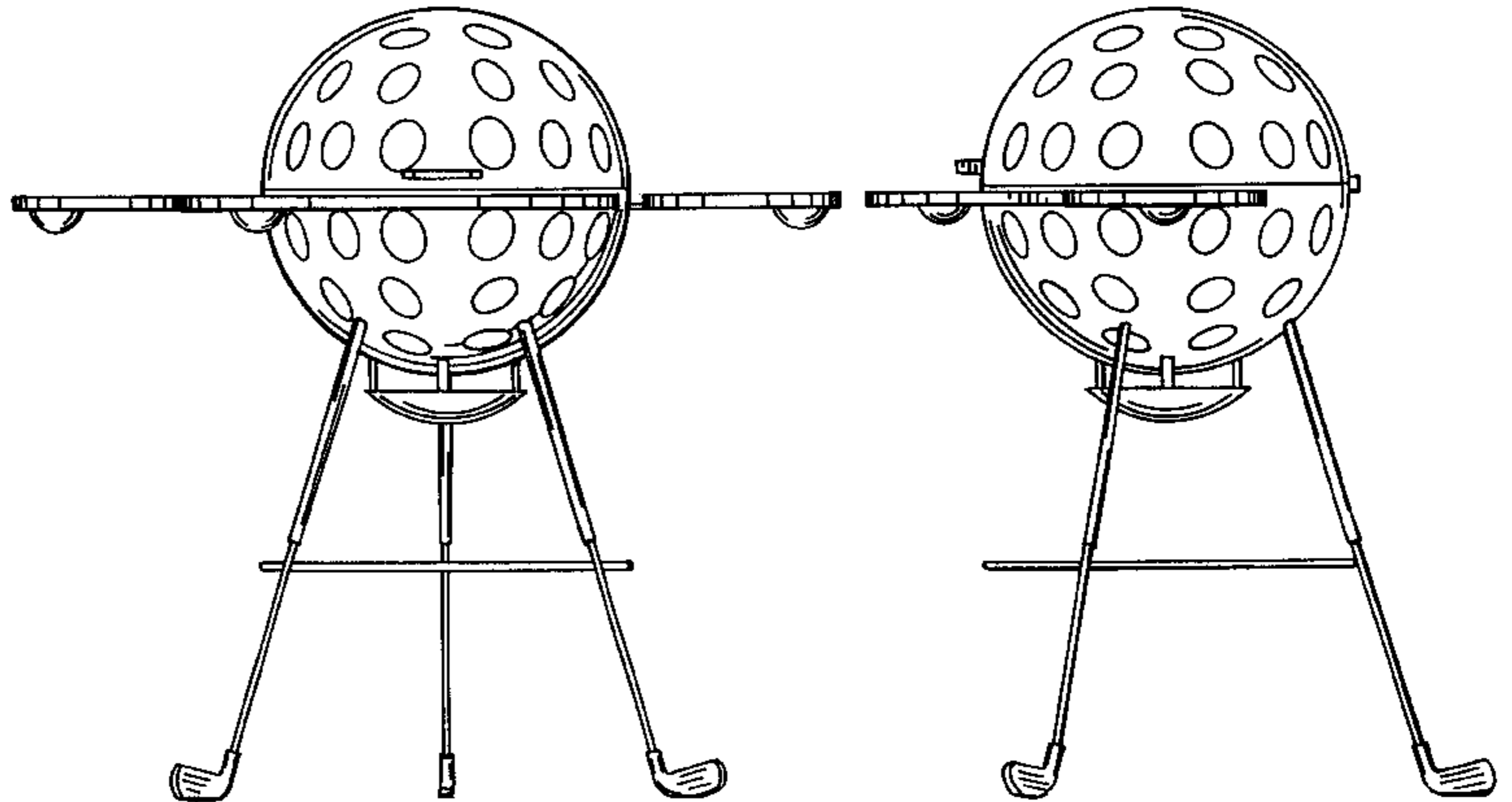
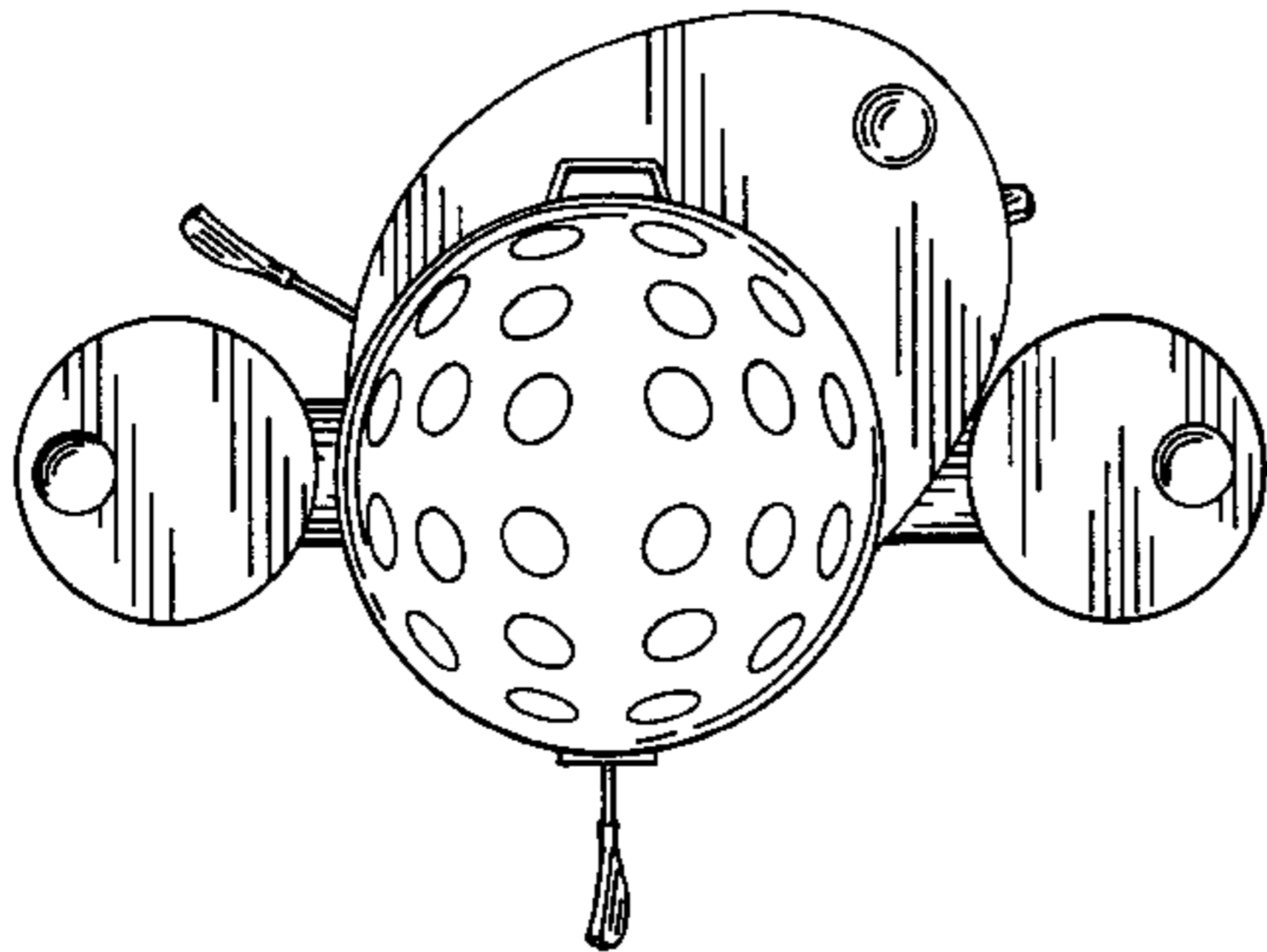
FIG. 3 is a left elevation of the barbecue grill;

FIG. 4 is a right elevation of the barbecue grill;

FIG. 5 is a front elevation of the barbecue grill; and,

FIG. 6 is a rear elevation of the barbecue grill.

**1 Claim, 3 Drawing Sheets**



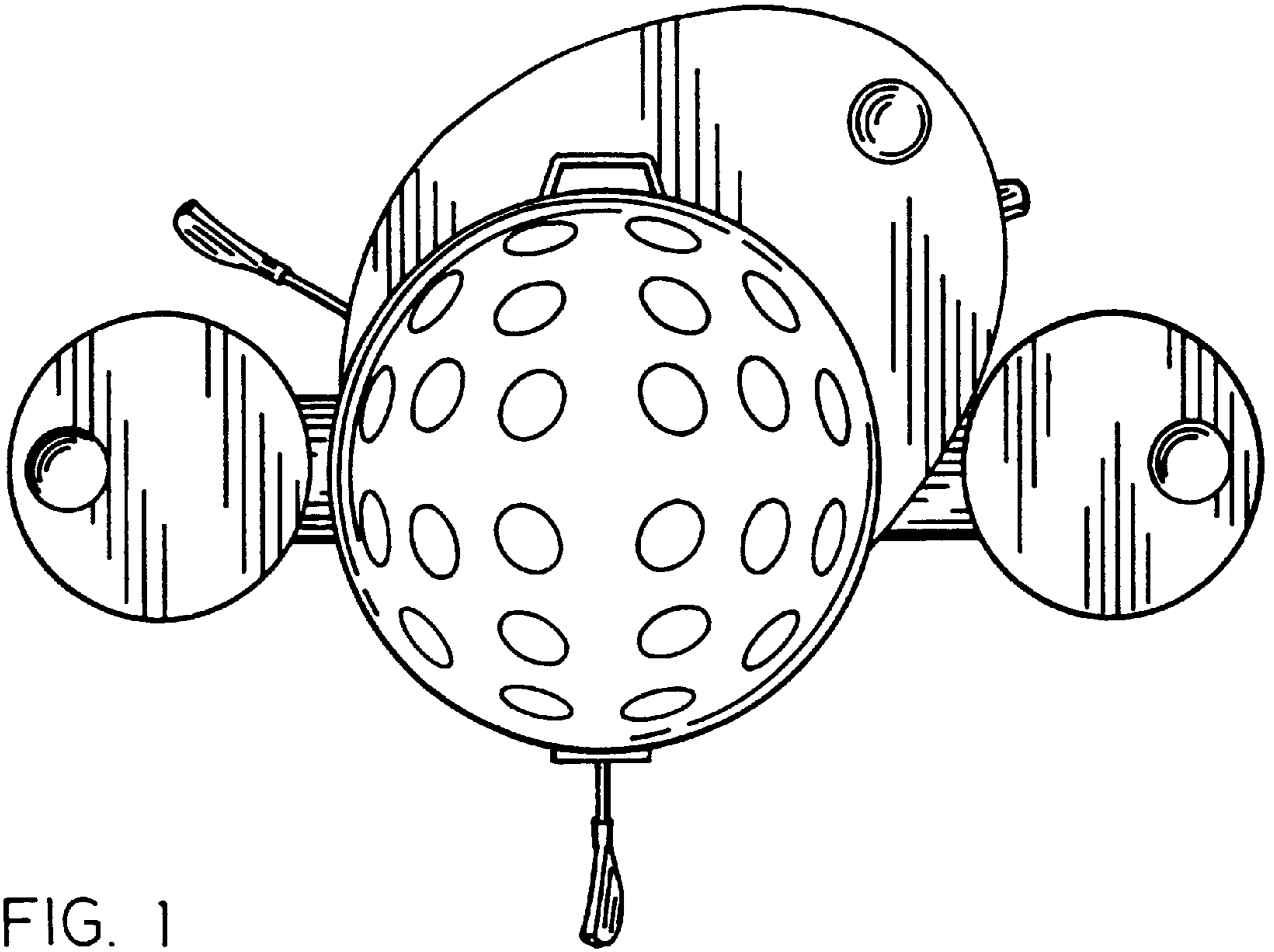


FIG. 1

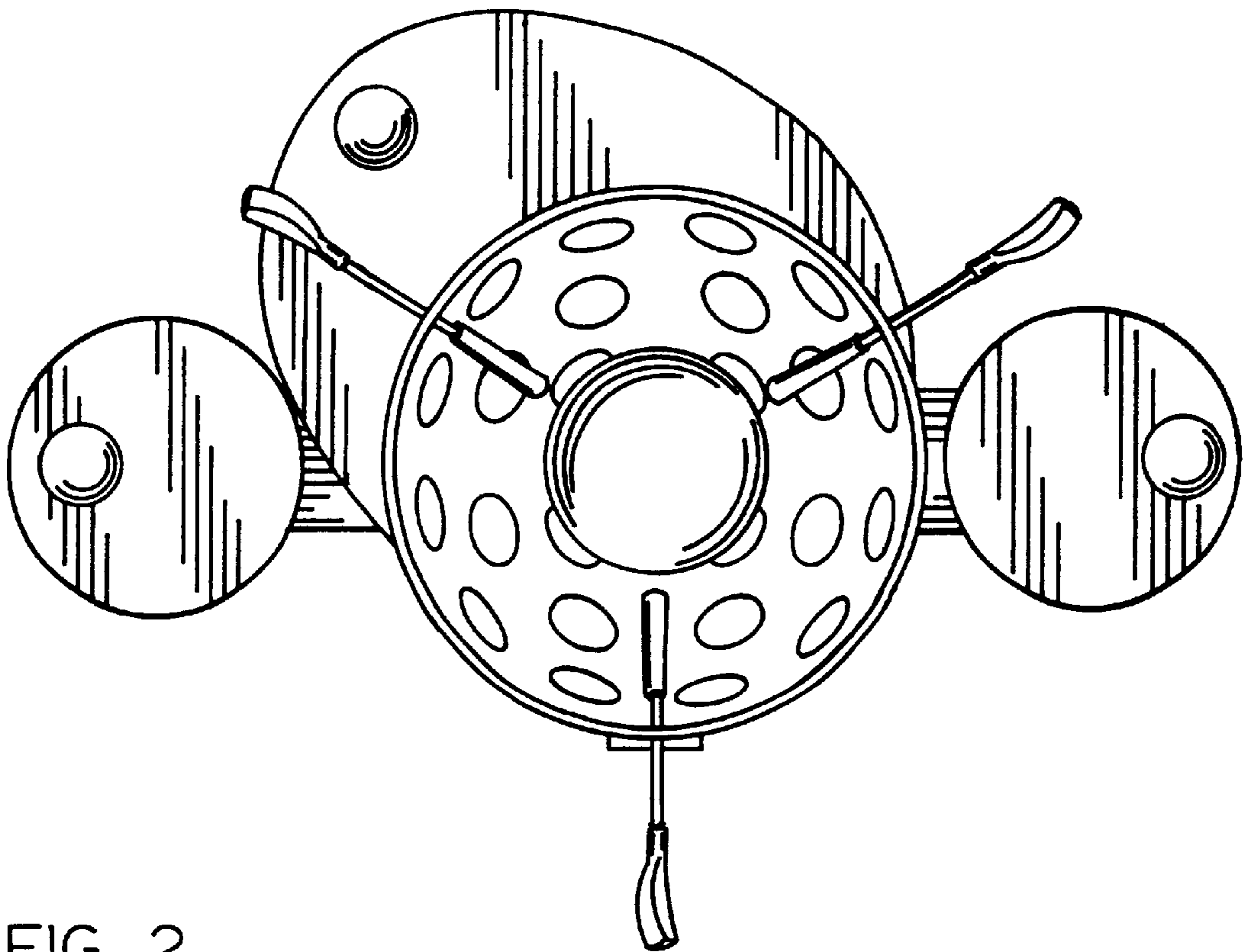


FIG. 2

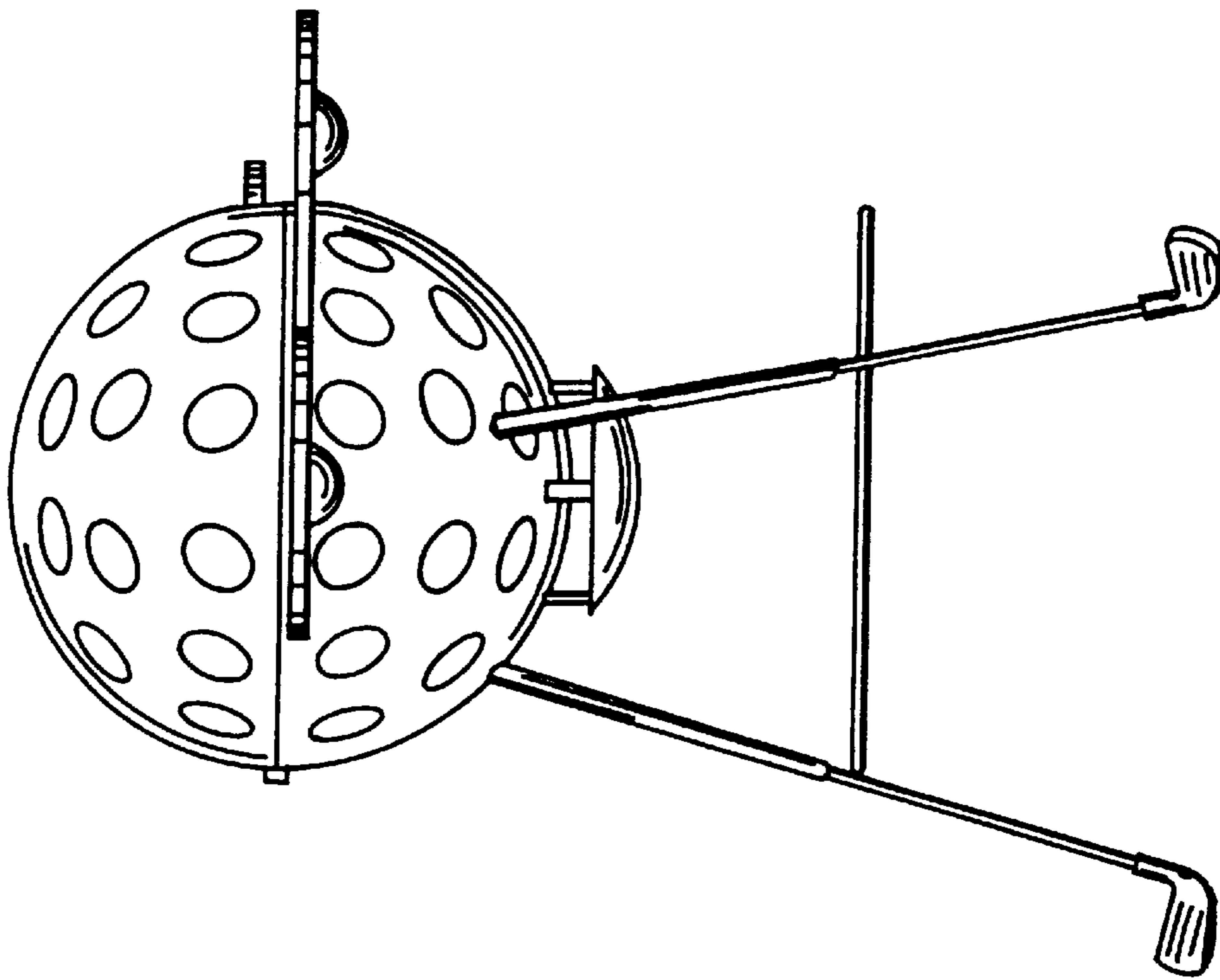


FIG. 3

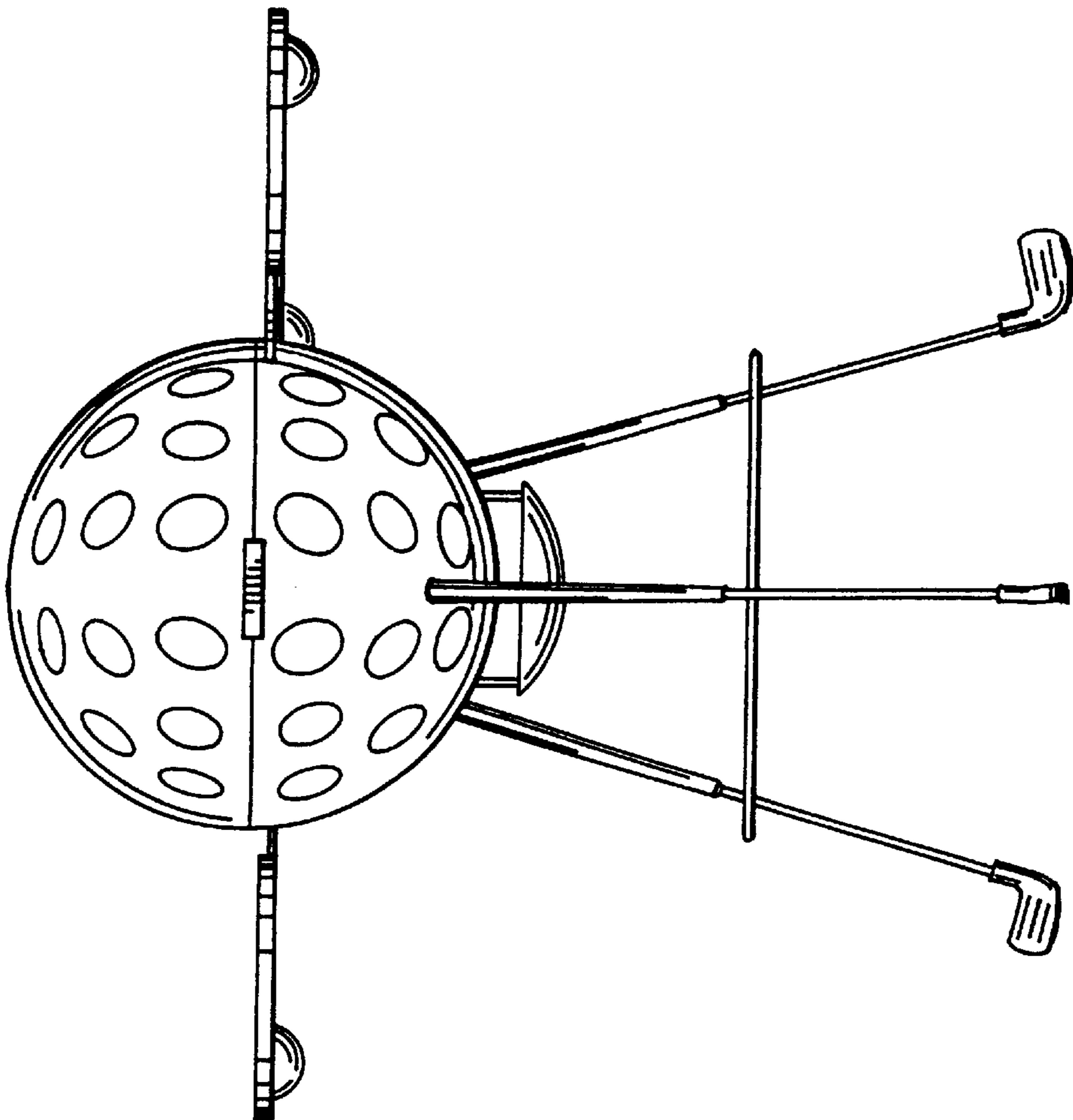


FIG. 6

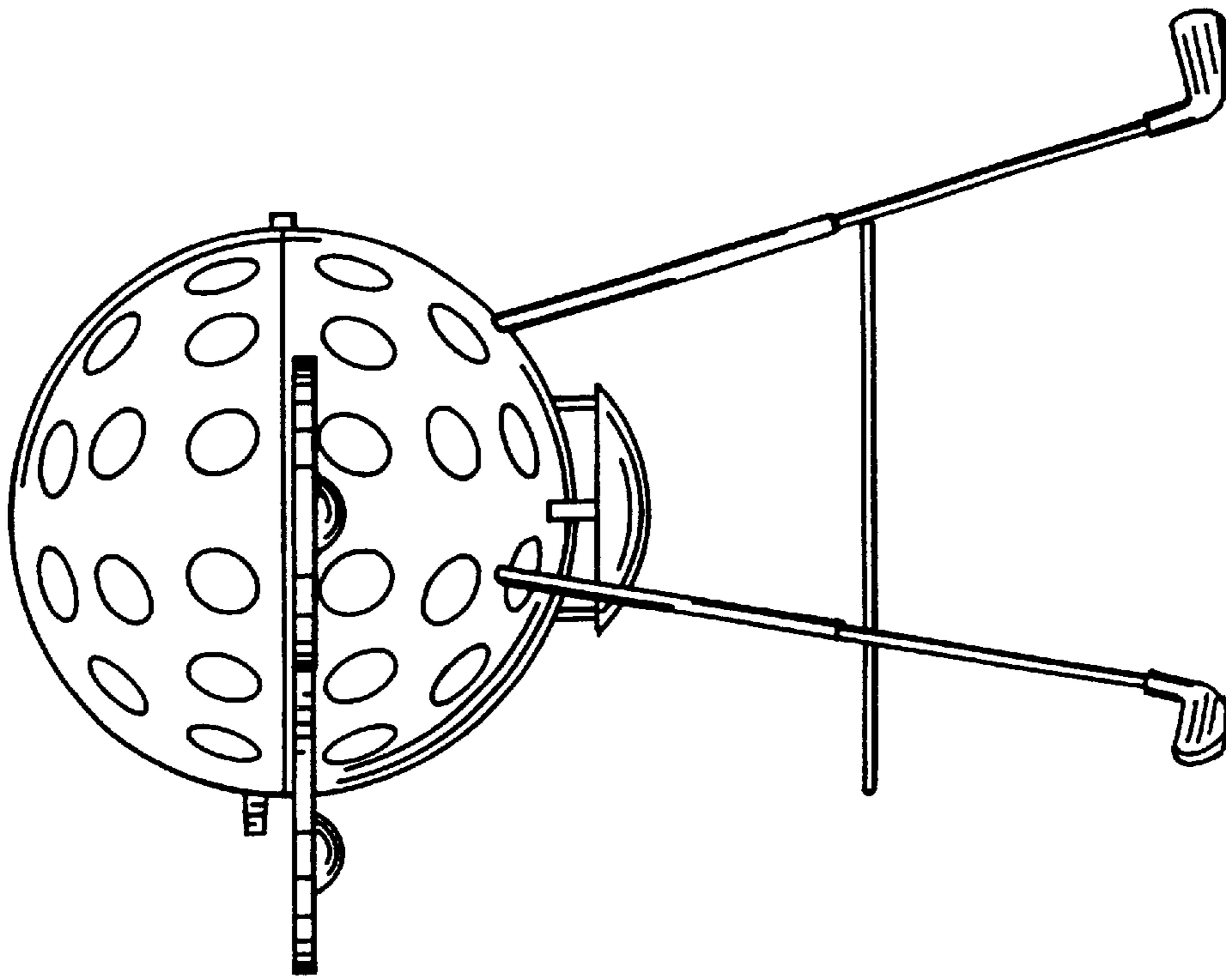


FIG. 4

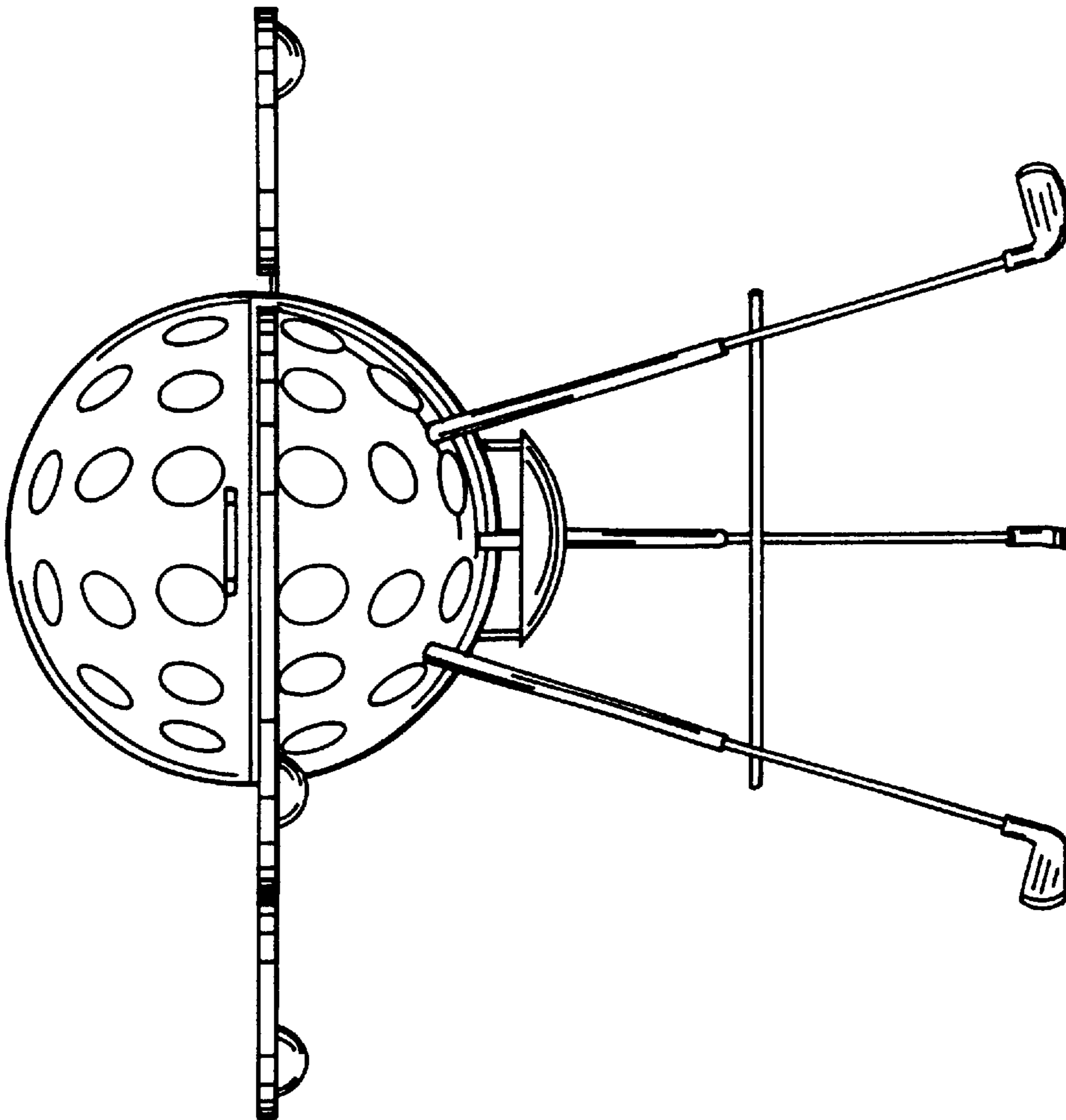


FIG. 5