



US00D465691S

(12) **United States Design Patent**
Wu

(10) **Patent No.:** **US D465,691 S**

(45) **Date of Patent:** **** Nov. 19, 2002**

(54) **GRILLER**

(75) Inventor: **Tsan-Kuen Wu**, Tainan Hsien (TW)

(73) Assignee: **Tsann Kuen USA Inc.**, Pasadena, CA (US)

(**) Term: **14 Years**

(21) Appl. No.: **29/150,753**

(22) Filed: **Nov. 28, 2001**

(51) **LOC (7) Cl.** **07-02**

(52) **U.S. Cl.** **D7/332**

(58) **Field of Search** D7/332-337, 402, D7/403, 404; 126/25 R, 25 A, 25 AA, 41 R, 29-30, 9 R; 99/419

(56) **References Cited**

U.S. PATENT DOCUMENTS

- D315,079 S * 3/1991 Jui-Yen D7/334
- D322,909 S * 1/1992 Parent et al. D7/334
- D325,316 S * 4/1992 Parent et al. D7/334
- D351,308 S * 10/1994 Pai D7/334

D376,510 S * 12/1996 Ting D7/332

D381,860 S * 8/1997 Chiang D7/334

D395,785 S * 7/1998 Lin D7/332

D414,374 S * 9/1999 Ting D7/334

* cited by examiner

Primary Examiner—Ruth McInroy

(74) *Attorney, Agent, or Firm*—Weingarten, Schurgin, Gagnebin & Lebovici LLP

(57) **CLAIM**

The ornamental design for griller, as shown and described.

DESCRIPTION

FIG. 1 is a perspective view of griller showing my new design;

FIG. 2 is a front elevational view thereof;

FIG. 3 is a rear elevational view thereof;

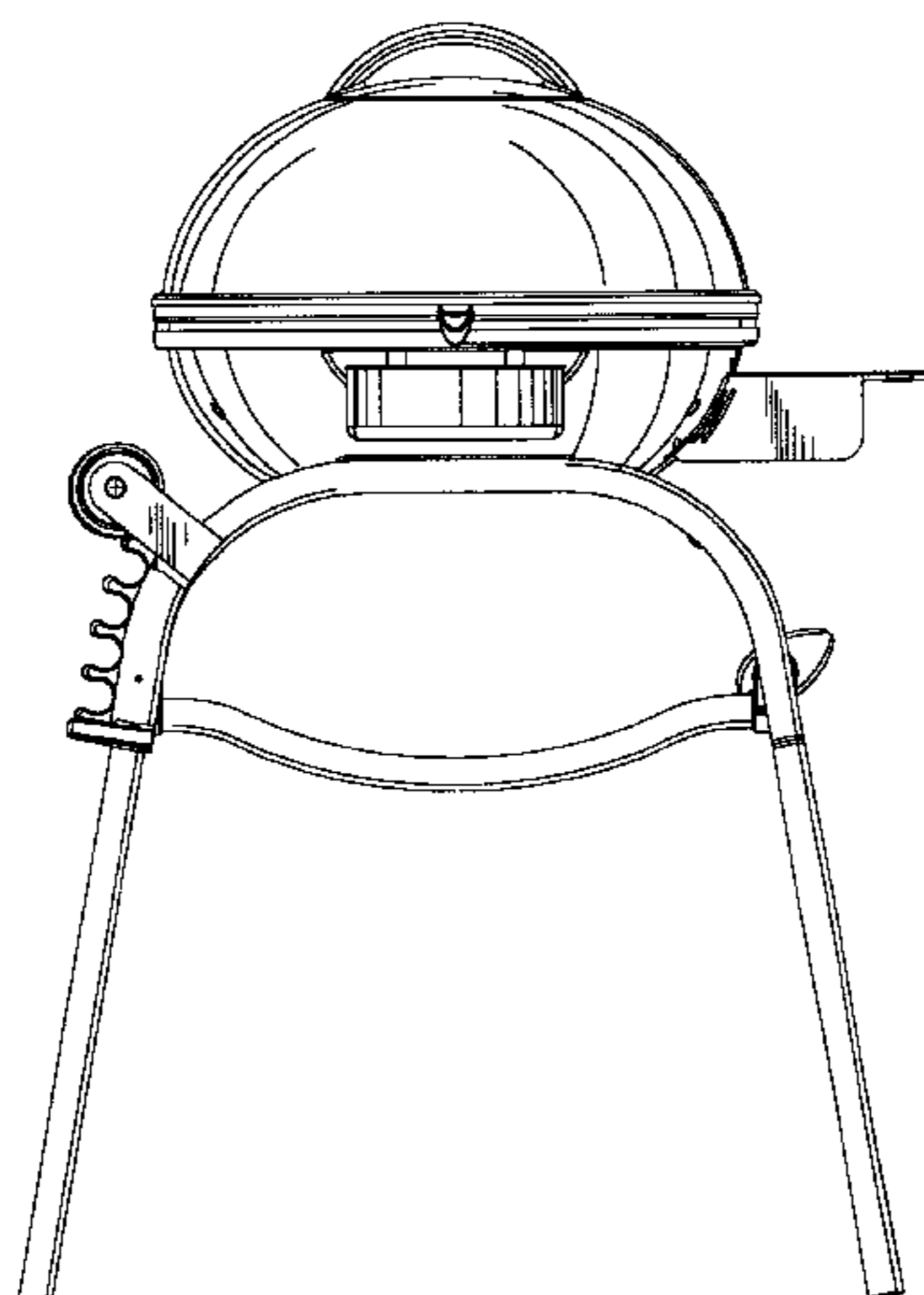
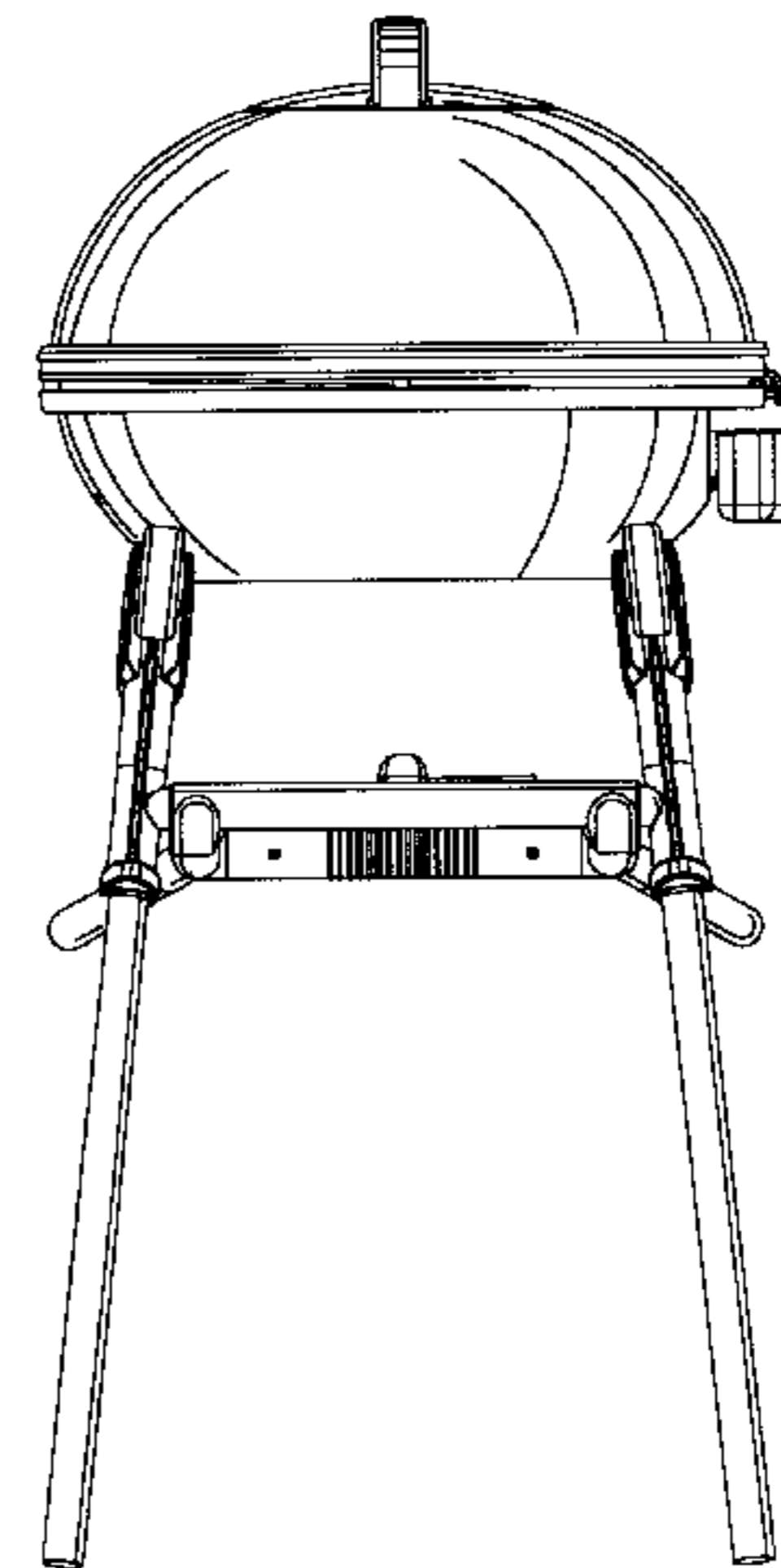
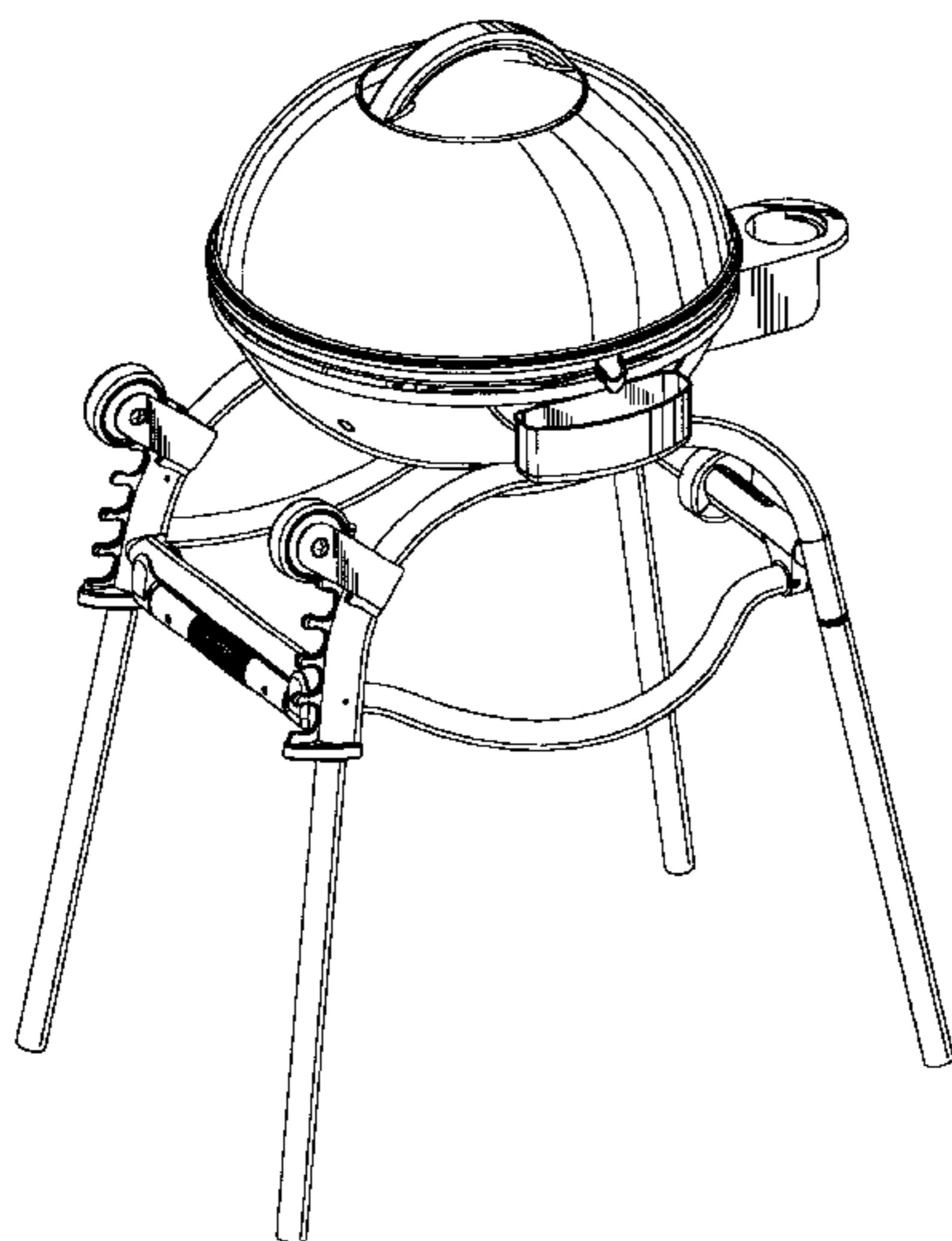
FIG. 4 is a left side elevational view thereof;

FIG. 5 is a right side elevational view thereof;

FIG. 6 is a top plan view thereof; and,

FIG. 7 is a bottom plan view thereof.

1 Claim, 4 Drawing Sheets



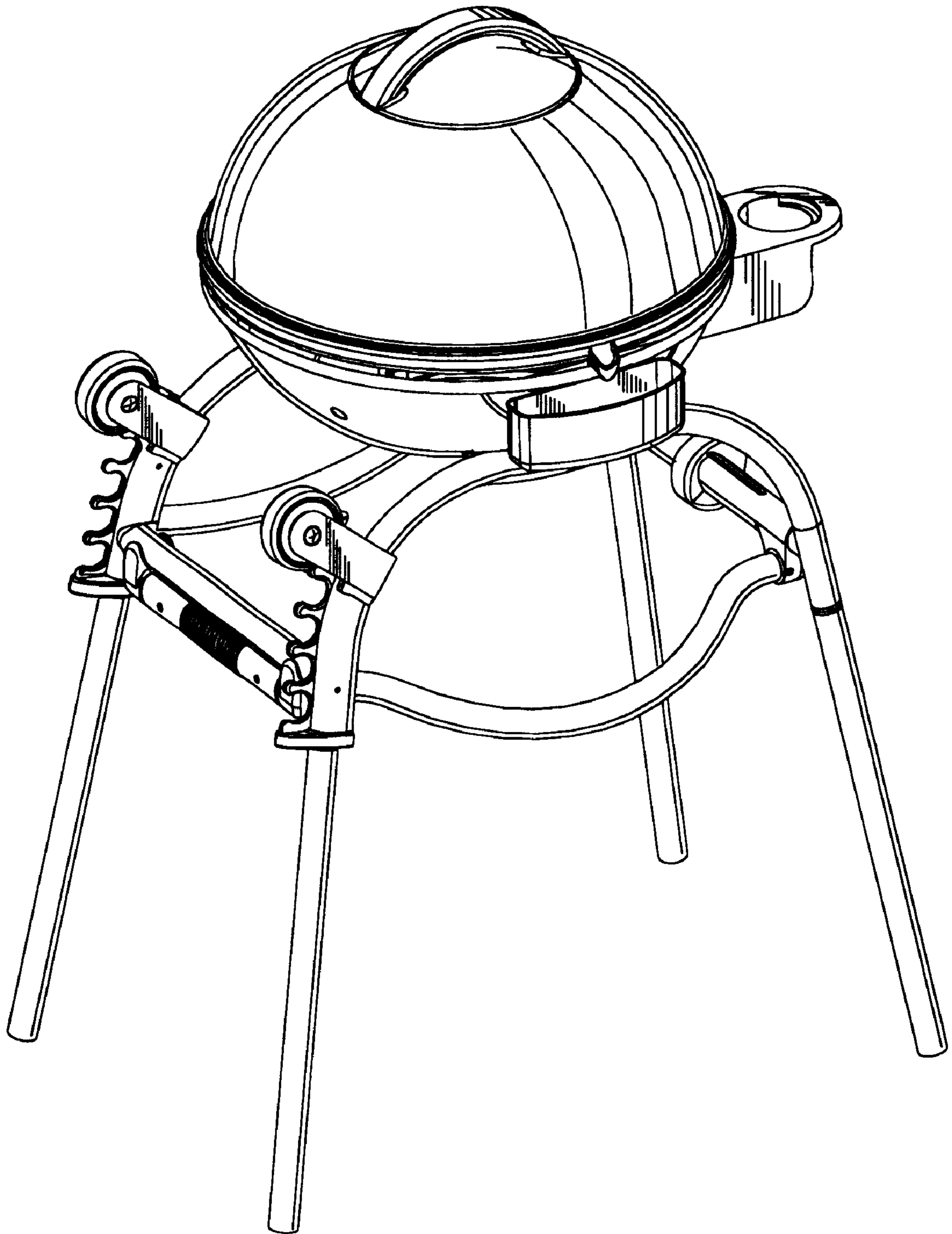


FIG. 1

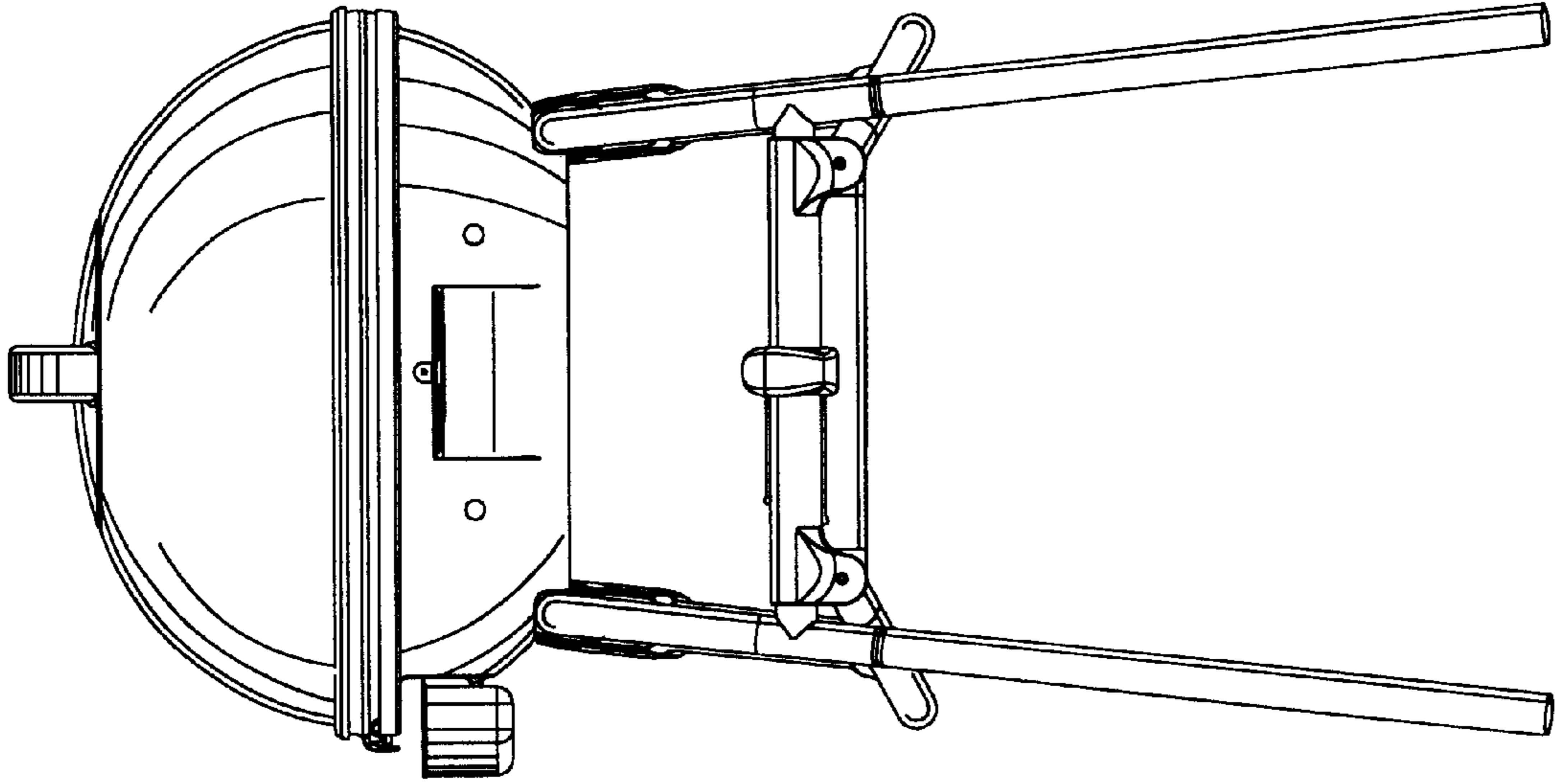


FIG. 3

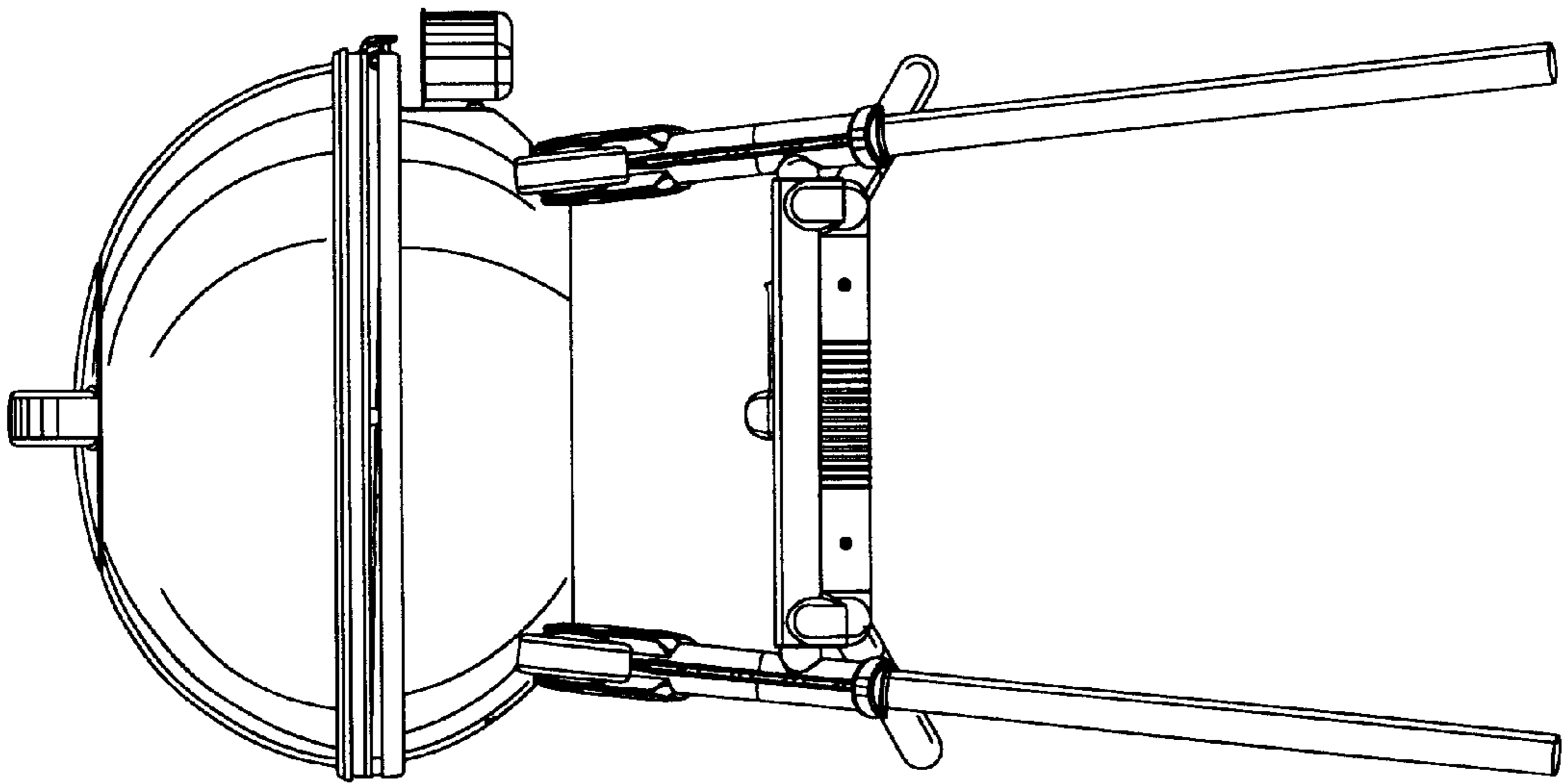


FIG. 2

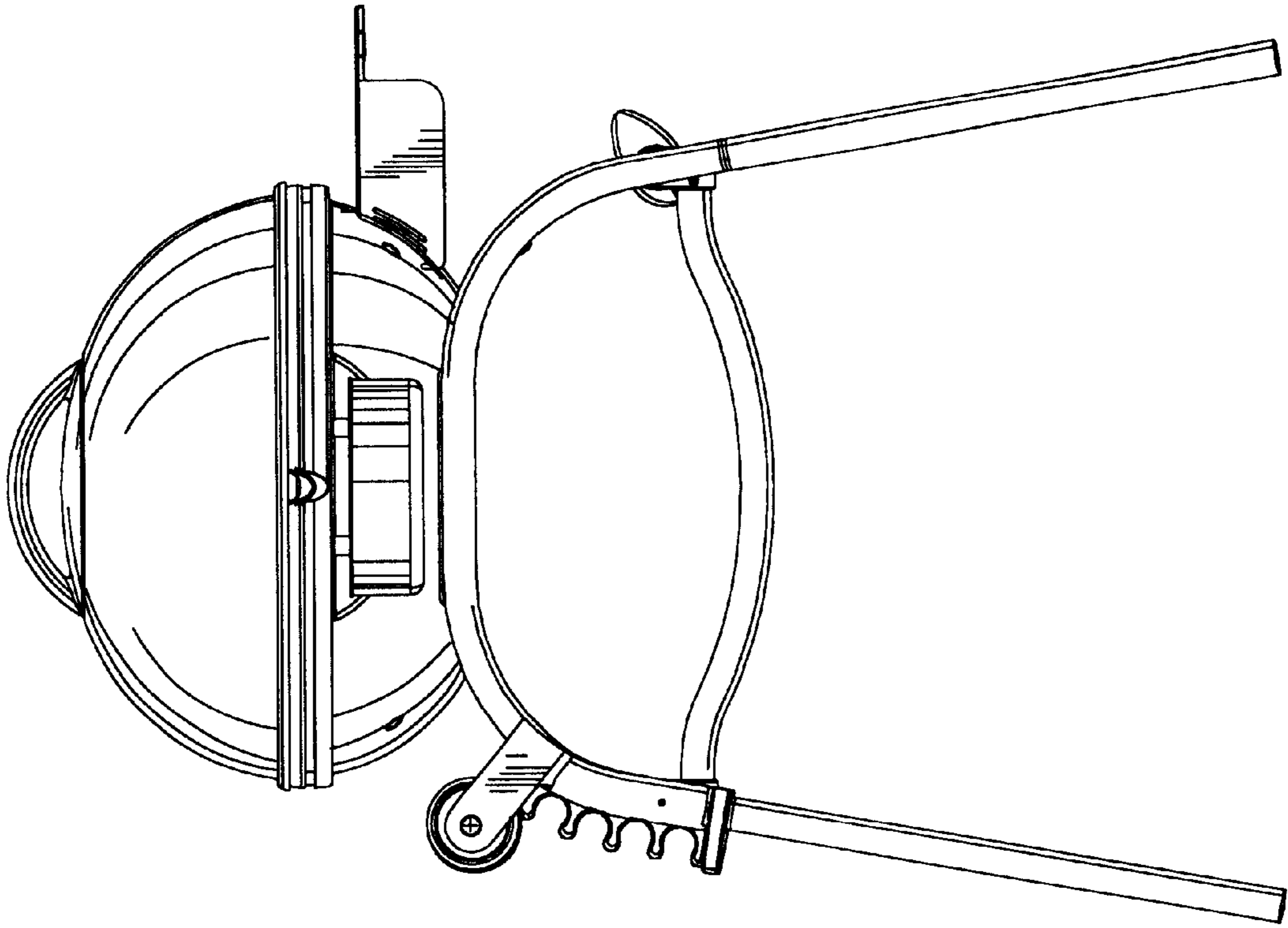


FIG. 5

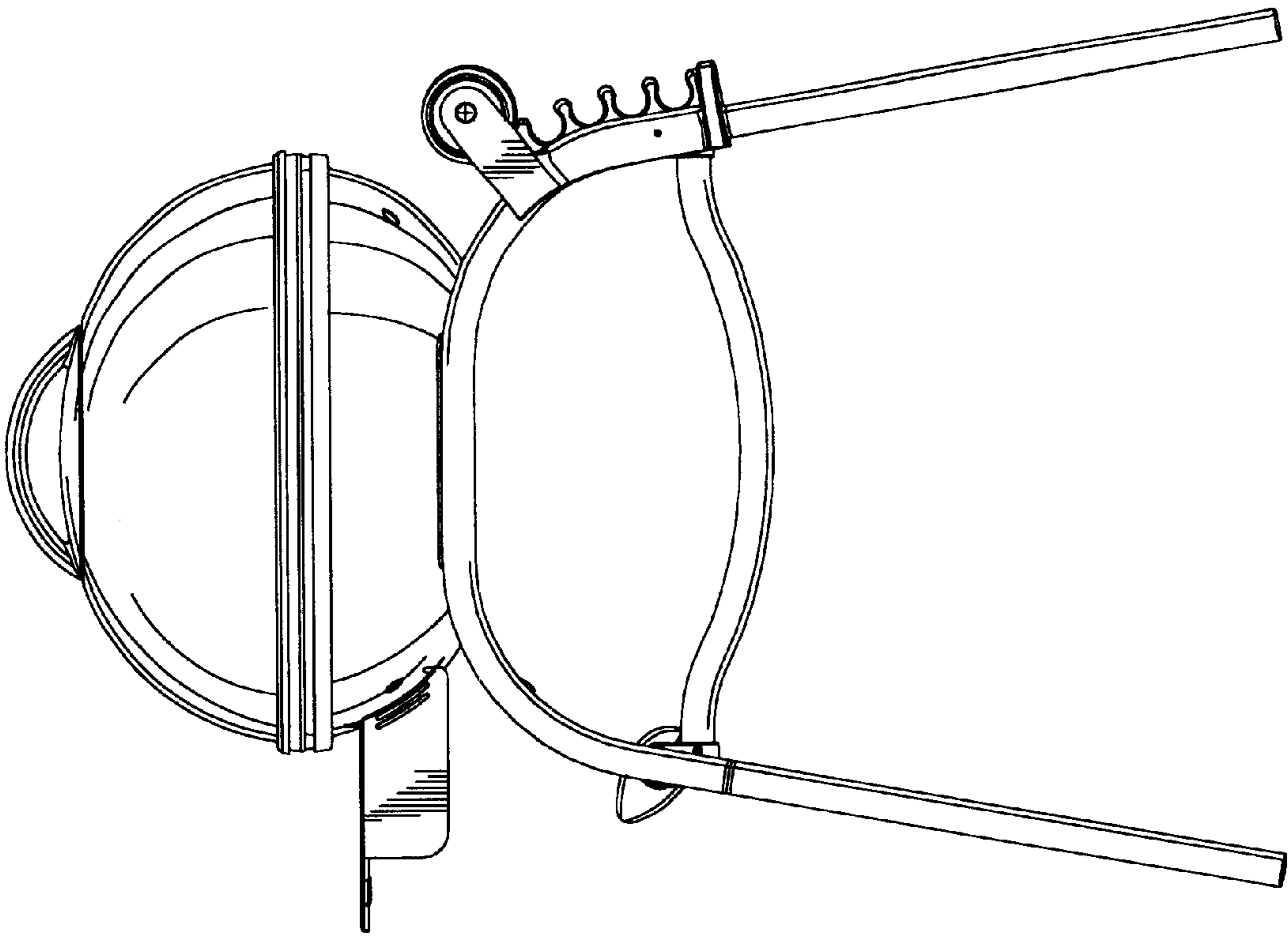


FIG. 4

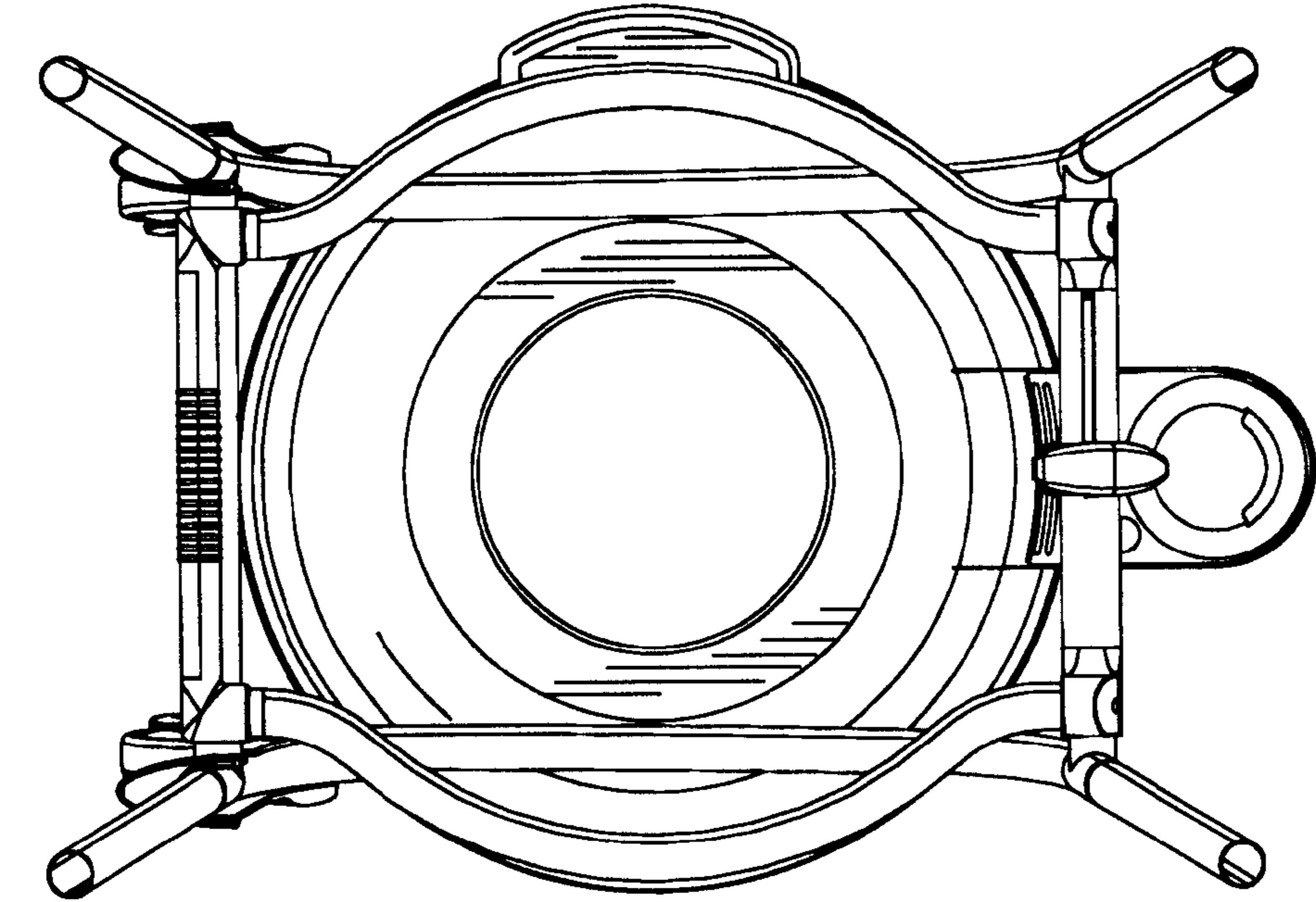


FIG. 6

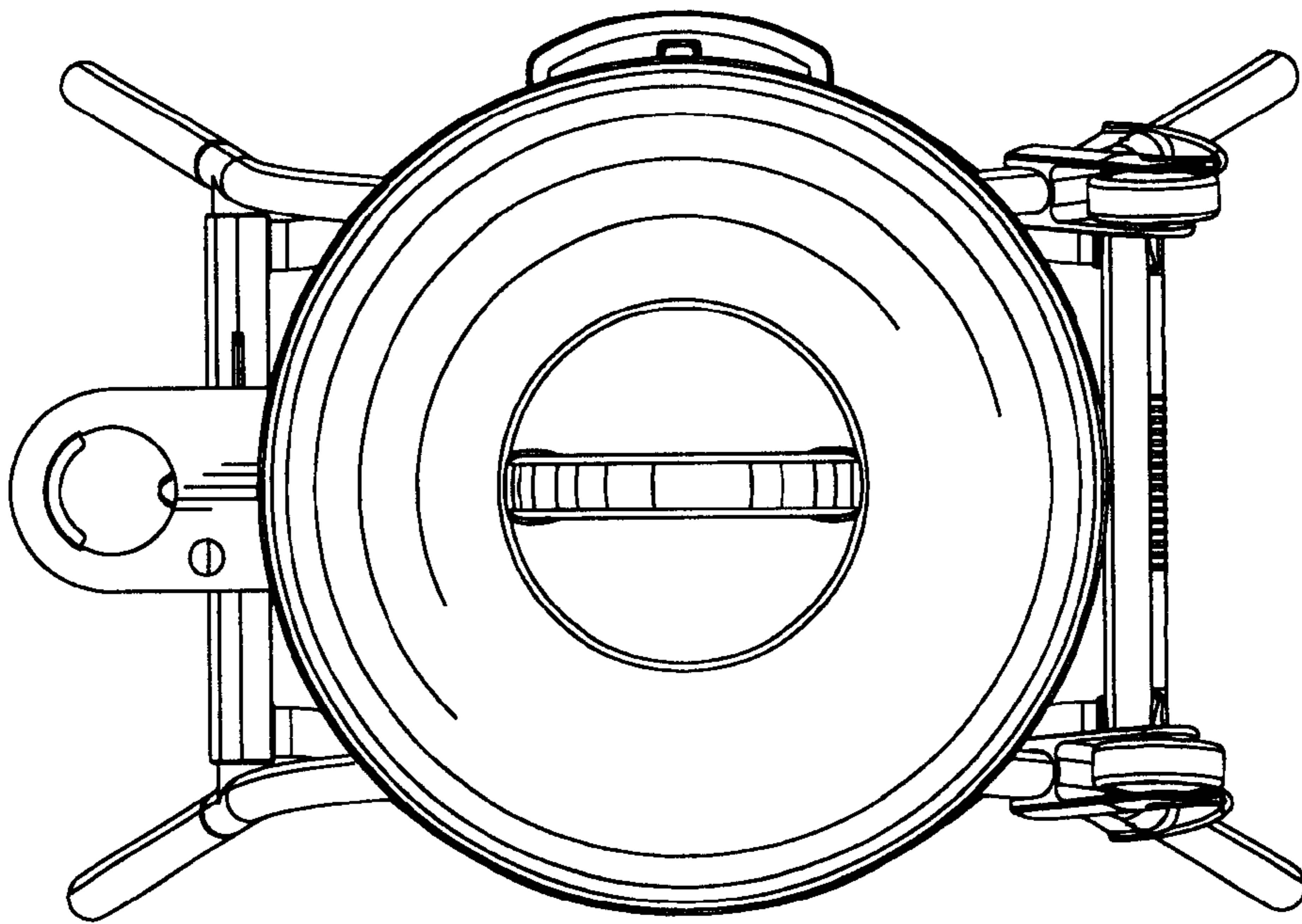


FIG. 7