



US00D465689S

(12) **United States Design Patent**
Kondo

(10) **Patent No.:** **US D465,689 S**

(45) **Date of Patent:** **** Nov. 19, 2002**

- (54) **CASE FOR RECORDING MEDIA**
- (75) Inventor: **Shinichi Kondo**, Tokyo (JP)
- (73) Assignee: **Sony Corporation**, Tokyo (JP)
- (**) Term: **14 Years**
- (21) Appl. No.: **29/149,889**
- (22) Filed: **Oct. 22, 2001**
- (51) **LOC (7) Cl.** **06-04**
- (52) **U.S. Cl.** **D6/635; D6/407; D6/632**
- (58) **Field of Search** **D3/201, 218, 272, D3/273, 276, 905; D6/407, 626-635; D9/337, 445, 454; D19/26, 27, 32, 65, 75-77, 81; D28/77; 206/232, 307.1, 308.1, 308.2, 308.3, 309-310, 311, 312, 313, 387.11, 387.13, 387.15; 312/9.57, 902, 9.9, 9.48, 9.55, 9.64, 9.47, 9.53, 328; 379/355**

5,244,084 A	*	9/1993	Chan	206/308.1
D349,892 S	*	8/1994	Nakaizumi	D14/114
5,425,450 A	*	6/1995	Lin	206/310
5,513,752 A	*	5/1996	Gottlieb	206/387.1
5,544,742 A	*	8/1996	Li	206/308.3
5,676,246 A	*	10/1997	Gloger	206/308.1
D395,570 S		6/1998	Kawagoi et al.		
5,772,028 A	*	6/1998	Marsilio et al.	206/387.1
D398,602 S	*	9/1998	Aoki	D14/121
5,899,330 A	*	5/1999	Sato et al.	206/387.13
5,984,093 A	*	11/1999	Frick	206/308.1
6,019,219 A	*	2/2000	Takahashi	206/387.1
6,047,819 A	*	4/2000	Borst et al.	206/232

* cited by examiner

Primary Examiner—Celia Murphy

(74) *Attorney, Agent, or Firm*—Rader, Fishman & Grauer PLLC

(57) **CLAIM**

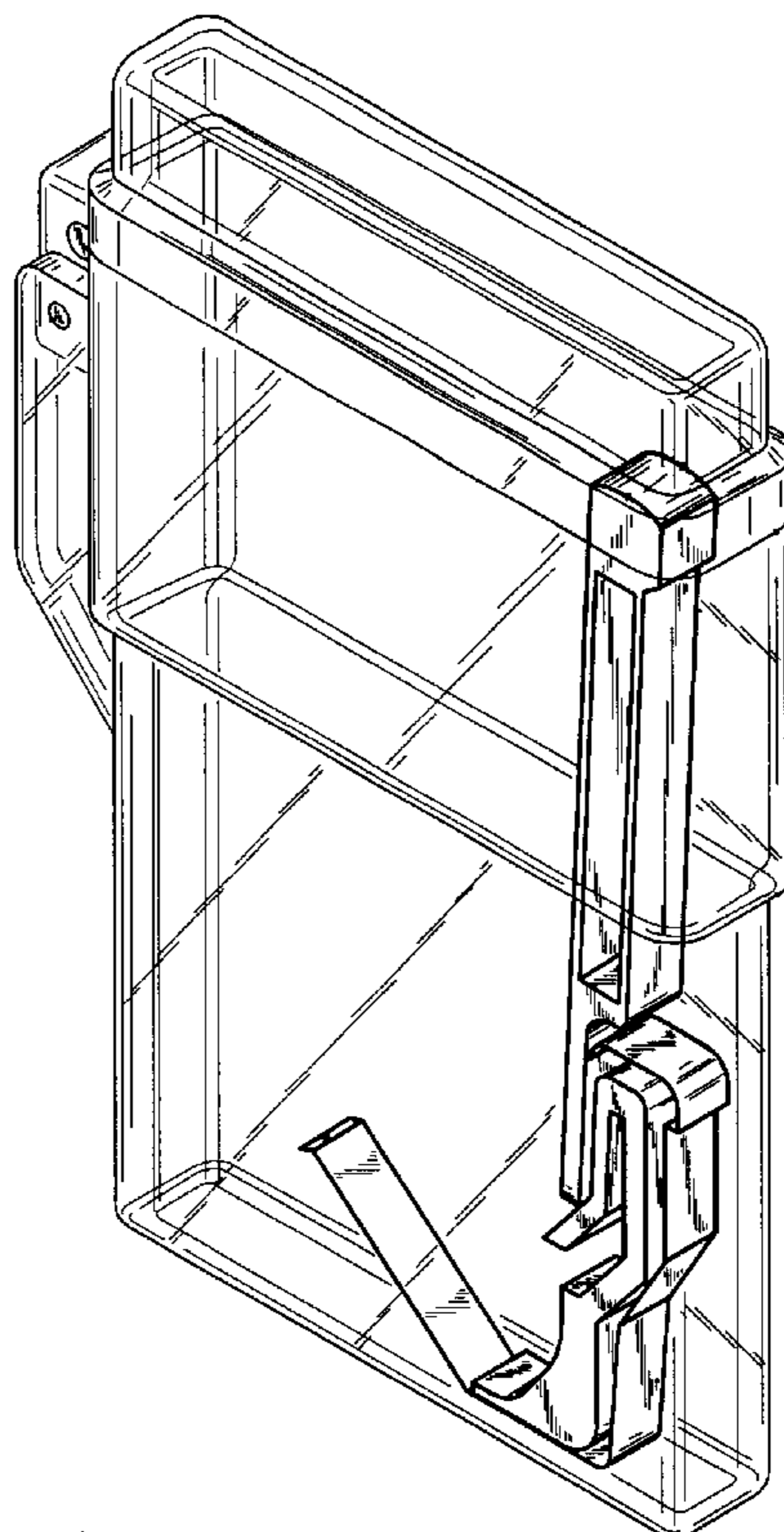
The ornamental design for a case for recording media, as shown and described.

DESCRIPTION

FIG. 1 is a perspective view of a case for recording media showing my new design;
 FIG. 2 is a front elevational view thereof;
 FIG. 3 is a rear elevational view thereof;
 FIG. 4 is a left side elevational view thereof;
 FIG. 5 is a right side elevational view thereof;
 FIG. 6 is a top plan view thereof; and,
 FIG. 7 is a bottom plan view thereof.

1 Claim, 4 Drawing Sheets

- (56) **References Cited**
- U.S. PATENT DOCUMENTS**
- 3,969,007 A * 7/1976 Lowry 312/9.21
- D273,721 S * 5/1984 Ronzani D6/635
- D280,952 S * 10/1985 Kirchner D6/635
- D282,410 S * 2/1986 Ekuan D6/635
- D283,949 S * 5/1986 Kitada D6/635
- 4,702,533 A * 10/1987 Seifert 312/9.22
- D297,385 S * 8/1988 Bennett D6/631
- 4,798,284 A * 1/1989 Wakelin 206/759
- 4,986,415 A * 1/1991 Posso 206/45.23
- 5,022,516 A * 6/1991 Urban et al. 206/753



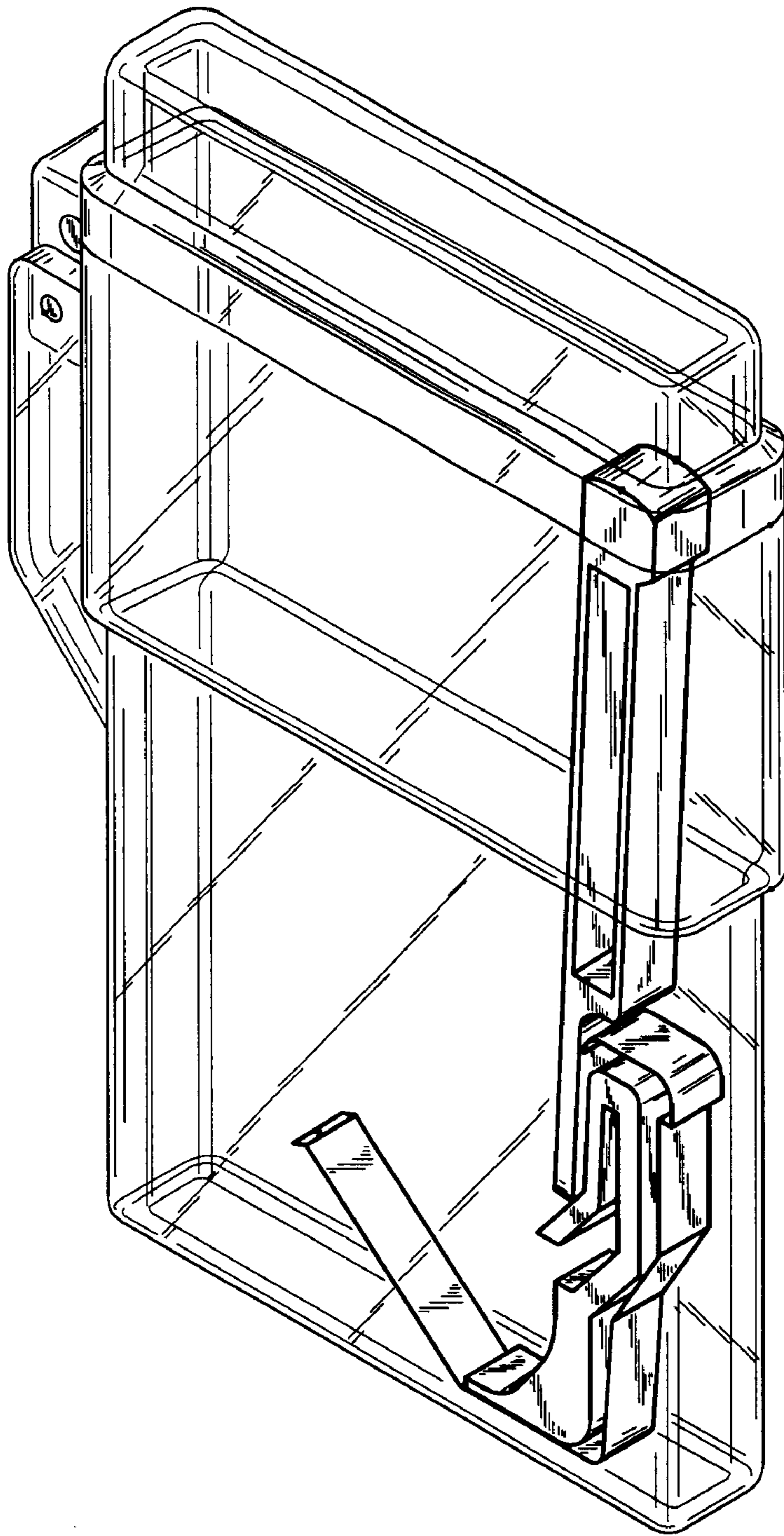


Fig. 1

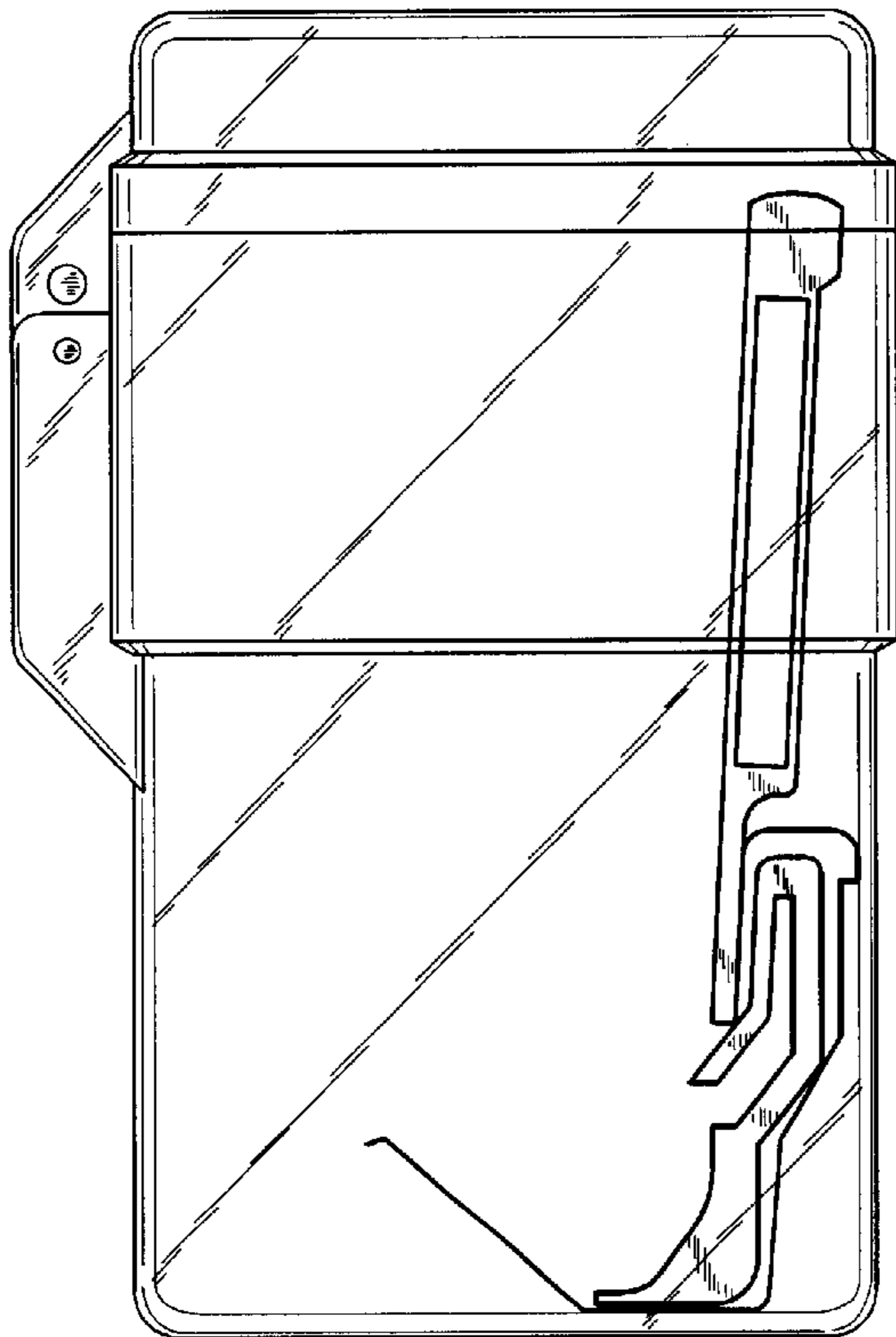


Fig. 2

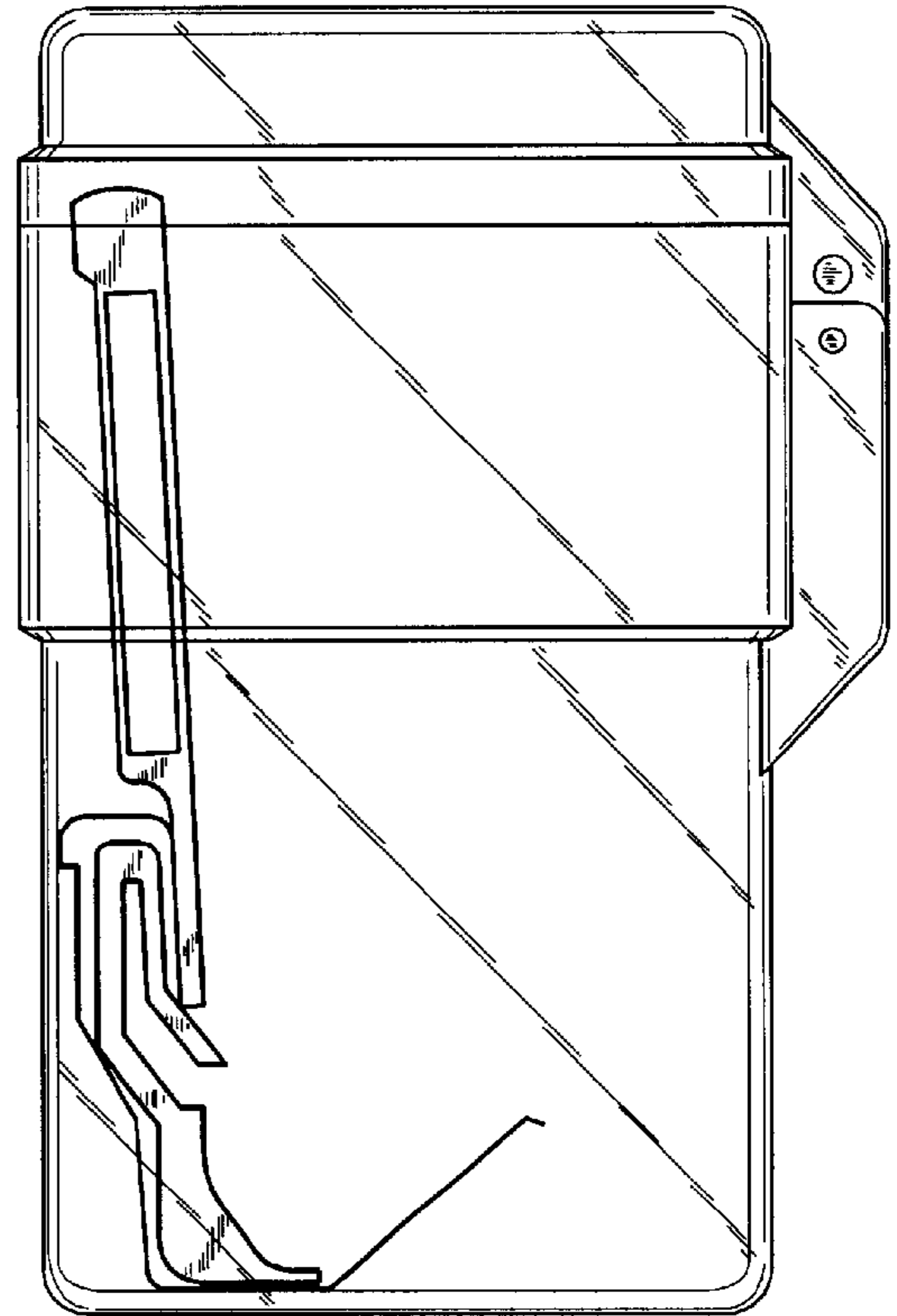


Fig. 3

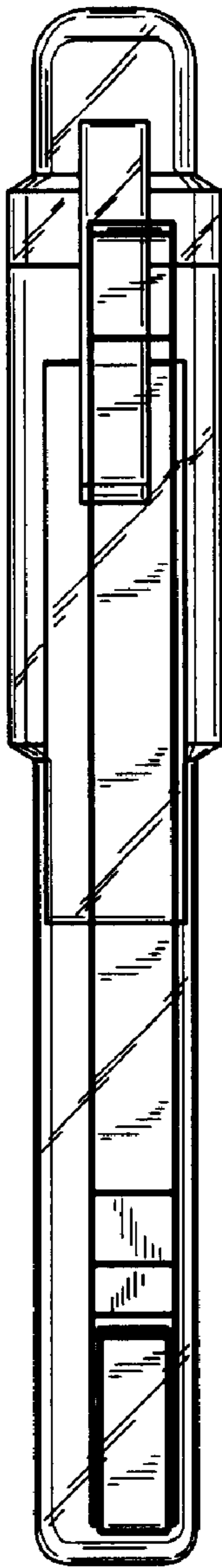


Fig. 4

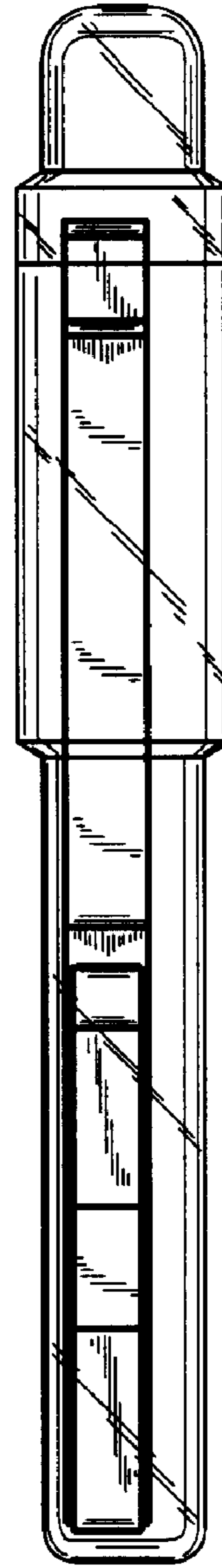


Fig. 5

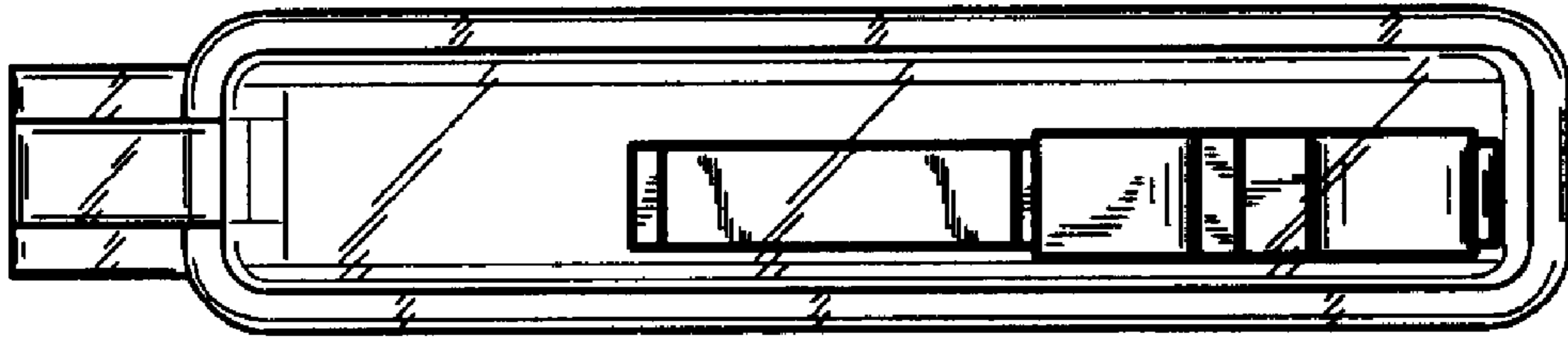


Fig. 6

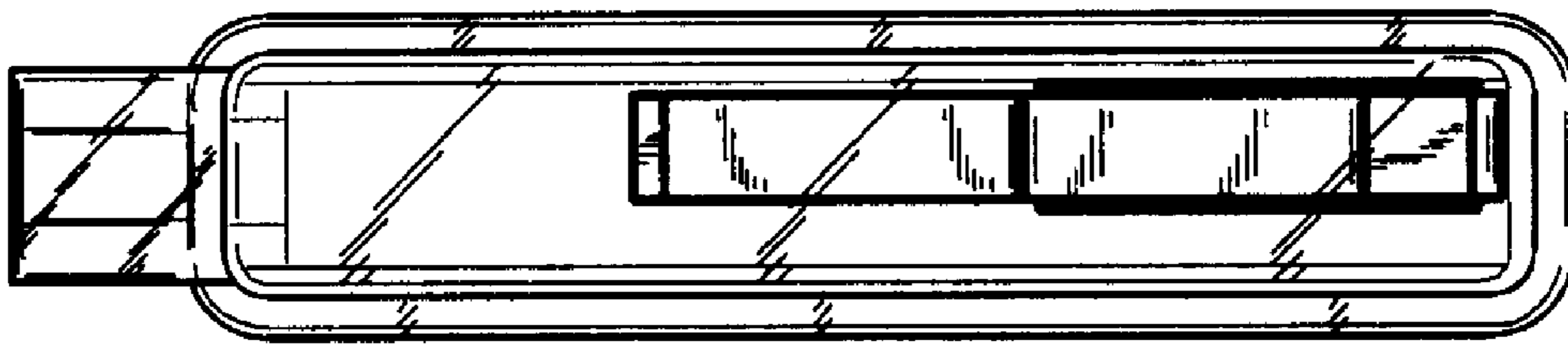


Fig. 7