



US00D465676S

(12) **United States Design Patent**  
**Pathiratne**

(10) **Patent No.: US D465,676 S**

(45) **Date of Patent: \*\* Nov. 19, 2002**

(54) **END FRAME FOR A FUTON**

D425,339 S 5/2000 Schlichter et al.  
D426,407 S \* 6/2000 Schlichter et al. .... D6/492

(76) **Inventor: S. Sean Pathiratne, 506 Landfair Cir.,  
San Jose, CA (US) 95136**

**OTHER PUBLICATIONS**

(\*\*) **Term: 14 Years**

U.S. patent application Ser. No. 29/150594, Pathiratne, filed  
Nov. 6, 2001.

(21) **Appl. No.: 29/150,445**

U.S. patent application Ser. No. 29/150597, Pathiratne, filed  
Nov. 6, 2001.

(22) **Filed: Nov. 16, 2001**

U.S. patent application Ser. No. 29/151571, Pathiratne, filed  
Nov. 12, 2001.

(51) **LOC (7) Cl. .... 06-06**

U.S. patent application Ser. No. 29/150596, Pathiratne, filed  
Nov. 6, 2001.

(52) **U.S. Cl. .... D6/492; D6/336; D6/381**

U.S. patent application Ser. No. 29/150591, Pathiratne, filed  
Nov. 6, 2001.

(58) **Field of Search .... D6/334, 335, 336,  
D6/338, 341, 370, 371, 373, 379, 381,  
492, 500, 501, 502; 5/12.1; 297/145, 232,  
411.45**

U.S. patent application Ser. No. 29/150593, Pathiratne, filed  
Nov. 6, 2001.

(56) **References Cited**

\* cited by examiner

**U.S. PATENT DOCUMENTS**

*Primary Examiner*—Gary D. Watson

(74) *Attorney, Agent, or Firm*—Kenneth C. Brooks

D35,082 S	*	9/1901	Stickley	.....	D6/379
D57,560 S	*	4/1921	Wilcox	.....	D6/341
D80,737 S	*	3/1930	Lehman	.....	D6/370
D80,874 S	*	4/1930	Anderson	.....	D6/379
D84,147 S	*	5/1931	Klemm	.....	D6/341
D151,295 S		10/1948	Stanley		
D222,831 S		1/1972	Lax		
D224,861 S		10/1972	Fisher		
D227,954 S	*	7/1973	Gill	.....	D6/334
D229,135 S	*	11/1973	Ruoslahti	.....	D6/379
D229,591 S	*	12/1973	Trail et al.	.....	D6/373
D244,109 S	*	4/1977	Zola	.....	D6/379
D259,224 S	*	5/1981	Sonnenleiter	.....	D6/379
D259,840 S	*	7/1981	Redmond	.....	D6/379
D271,446 S	*	11/1983	Long	.....	D6/381
D273,254 S		4/1984	Fairaizen		
D296,731 S	*	7/1988	Hollington	.....	D6/334
D350,857 S	*	9/1994	Warren	.....	D6/381
D350,858 S		9/1994	Warren		
D353,721 S	*	12/1994	Lowman	.....	D6/379
D360,538 S		7/1995	Skalka		
D367,566 S	*	3/1996	Walters, III et al.	.....	D6/381
D368,173 S		3/1996	Kramer		
D370,570 S	*	6/1996	Green, Jr. et al.	.....	D6/370
D379,278 S		5/1997	Zeinfeld et al.		
D423,830 S		5/2000	Schlichter et al.		
D424,315 S		5/2000	Jeng		

(57) **CLAIM**

The ornamental design for an end frame for a futon, as  
shown and described.

**DESCRIPTION**

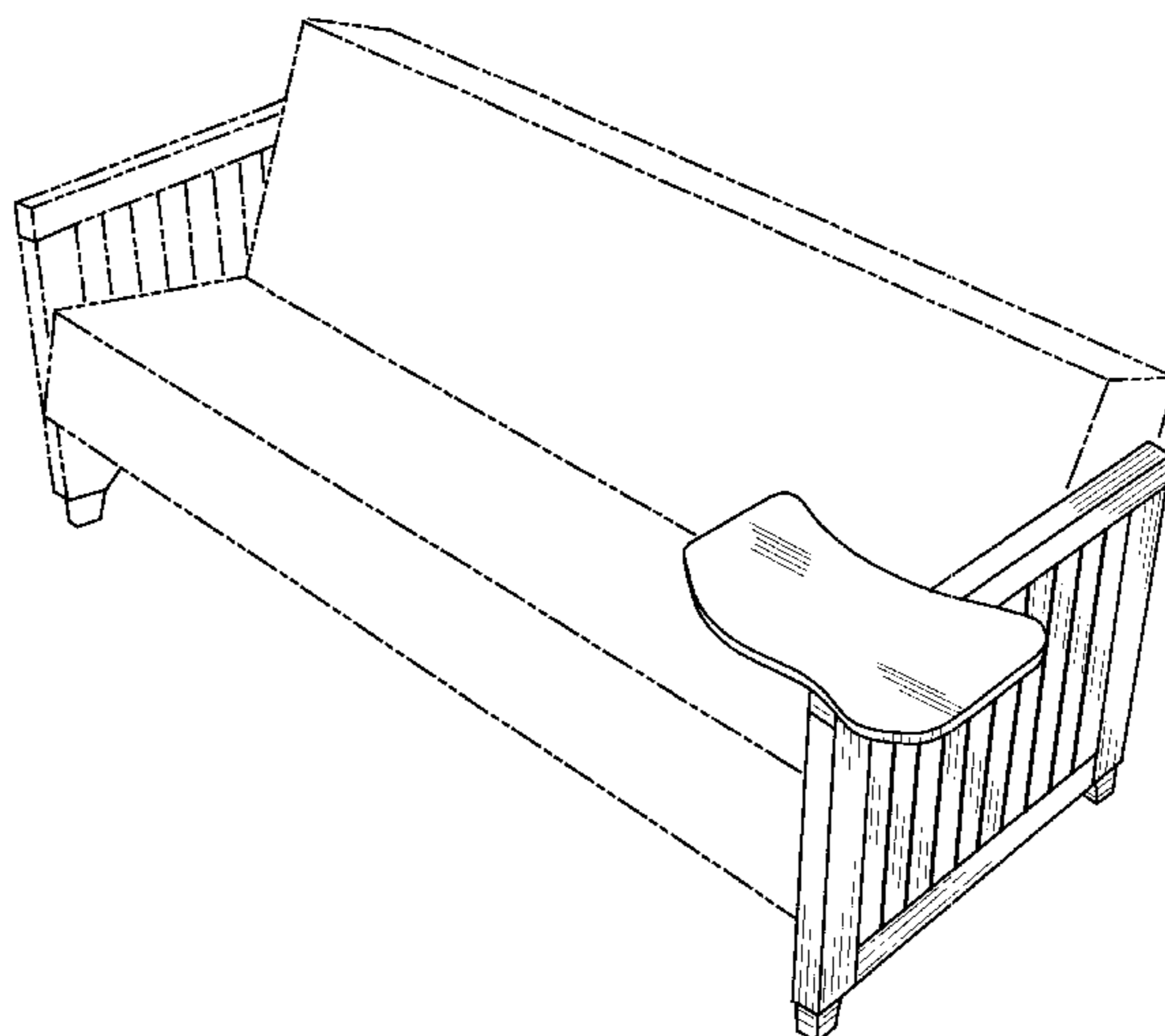
FIG. 1 is a perspective view of an end frame for a futon  
illustrating the features of the invention relating to the end  
portion in solid lines, and in broken lines to show the  
environment in which the invention is claimed, with the  
broken lines not forming a part of the claimed design;

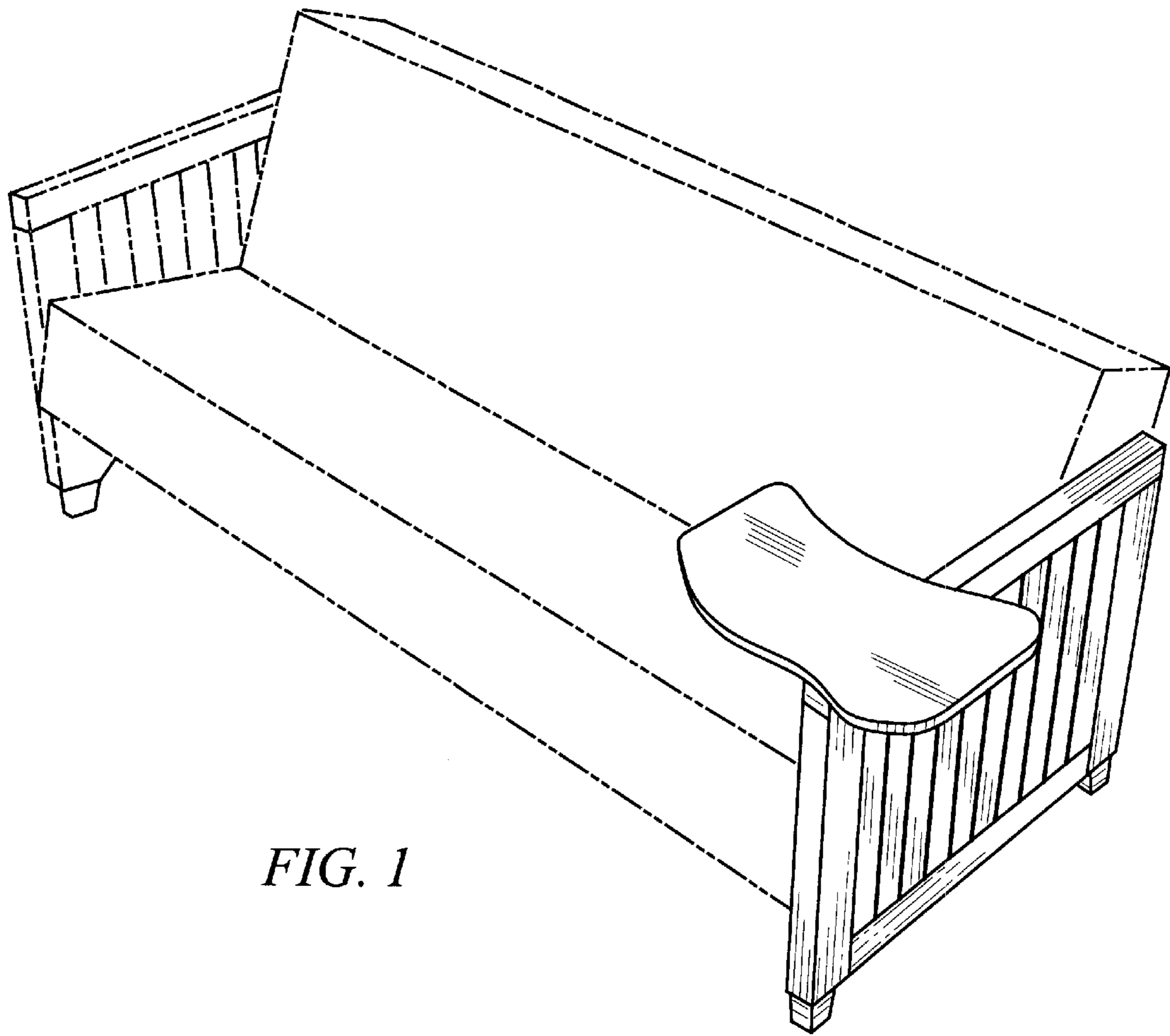
FIG. 2 is a back view of the end frame shown in FIG. 1;  
FIG. 3 is a frontal view of the end frame shown in FIG. 1;  
FIG. 4 is a top down view of the end frame shown in FIG.  
1;

FIG. 5 is an end view of the end frame shown in FIG. 1; and,  
FIG. 6 is an end view of the end frame shown in FIG. 1,  
taken from the opposing end of the end view shown in FIG.  
5.

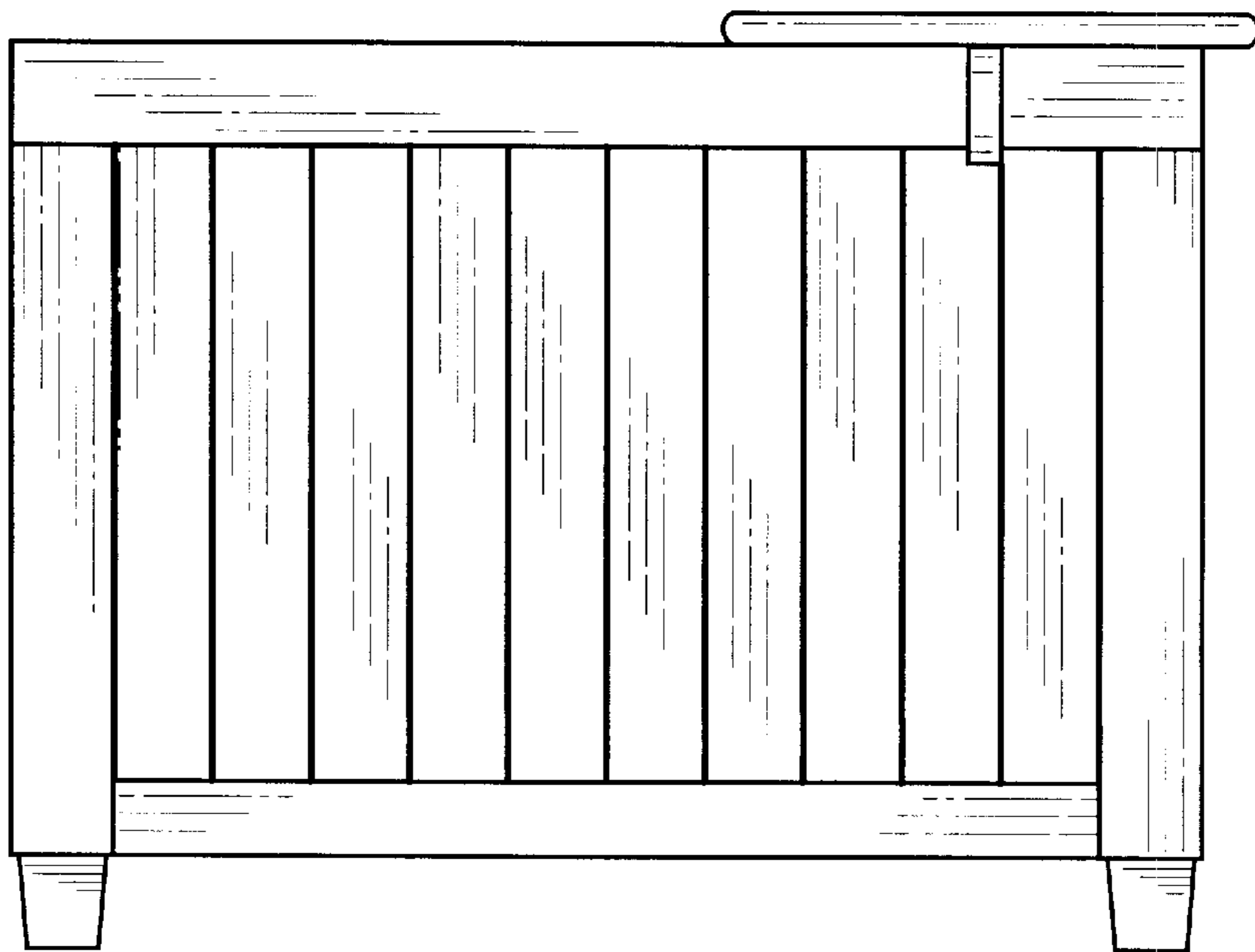
It is submitted that the bottom view of the end frame does  
not form any part of the claimed design.

**1 Claim, 2 Drawing Sheets**





*FIG. 1*



*FIG. 2*

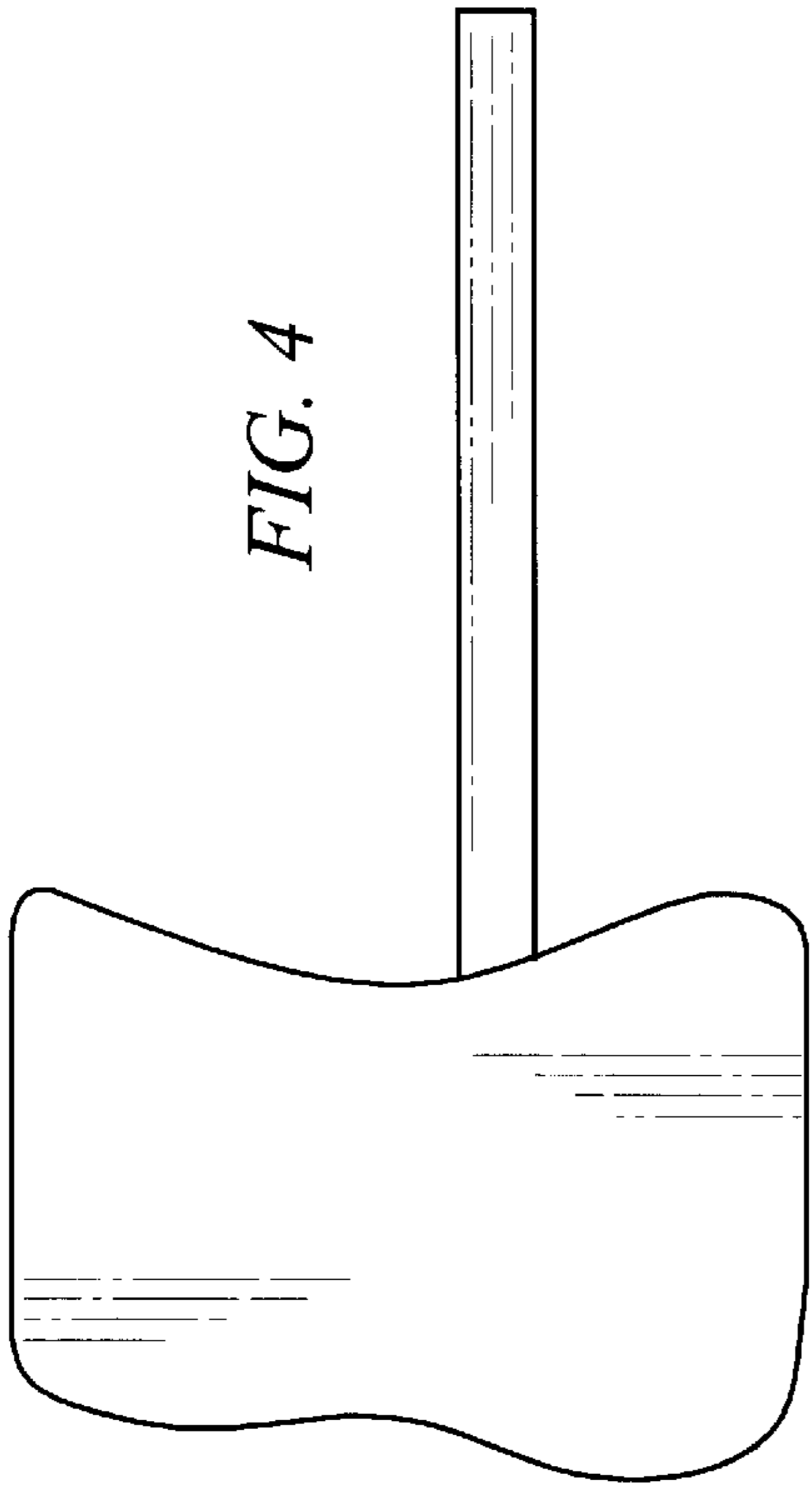


FIG. 4

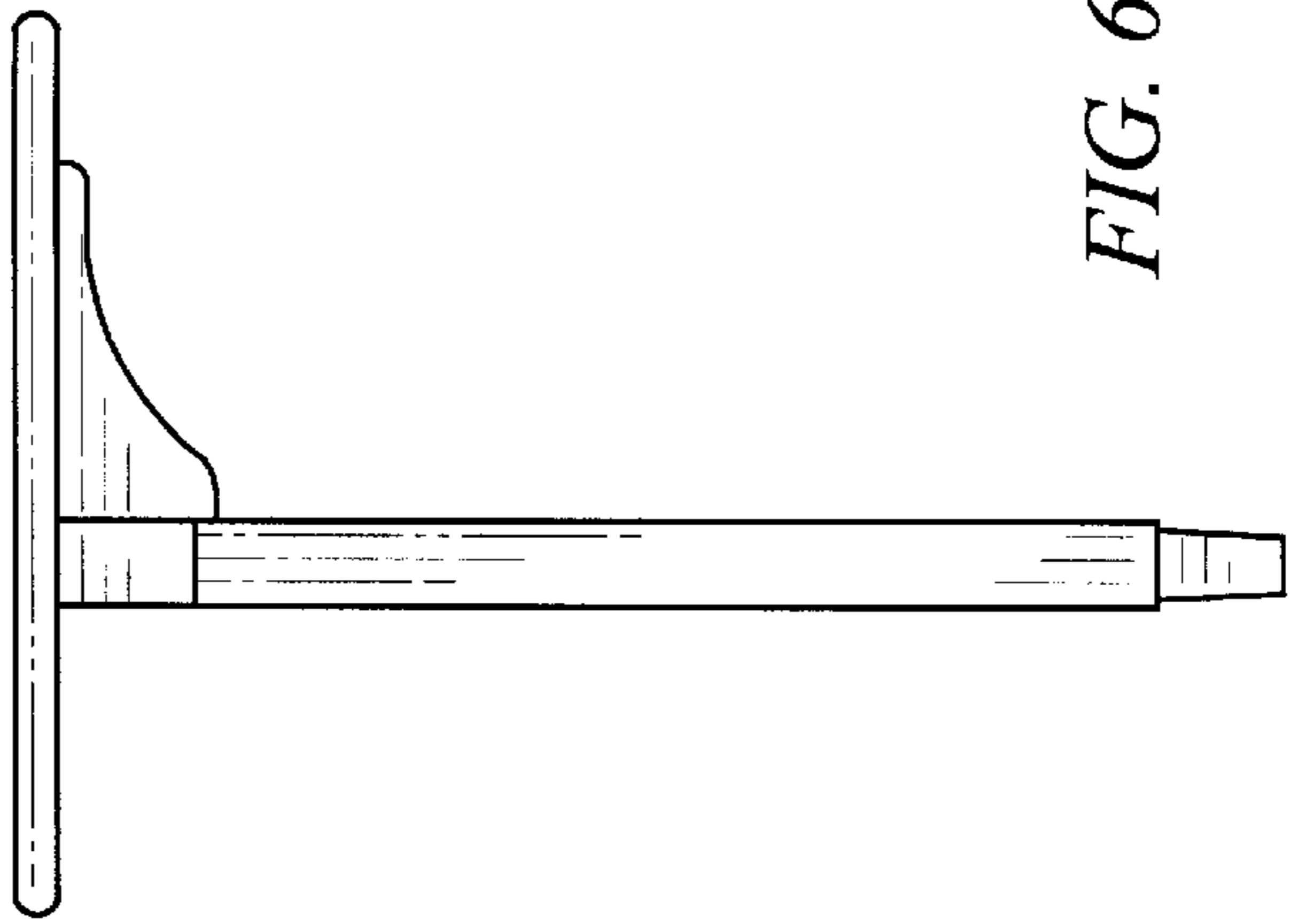


FIG. 6

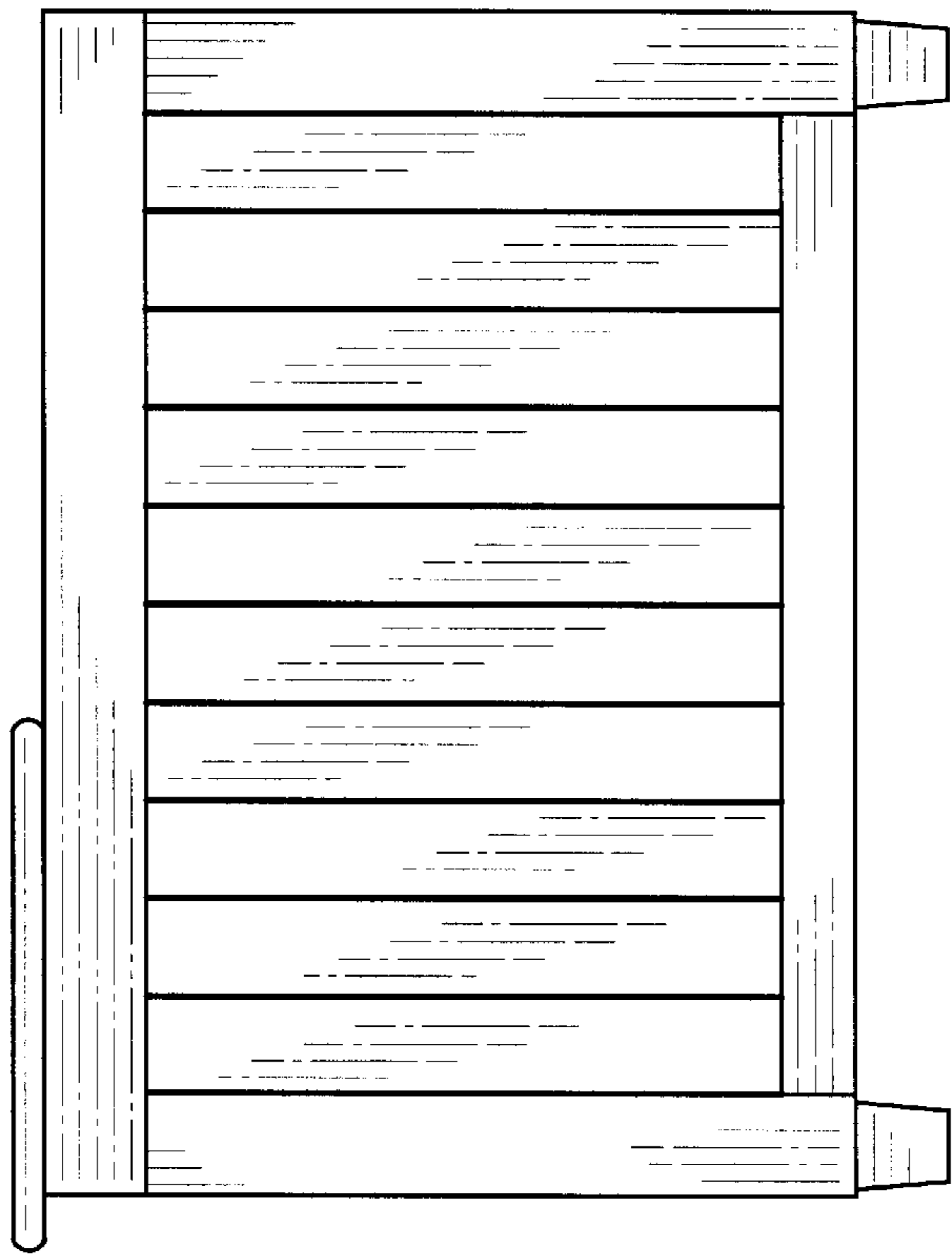


FIG. 3

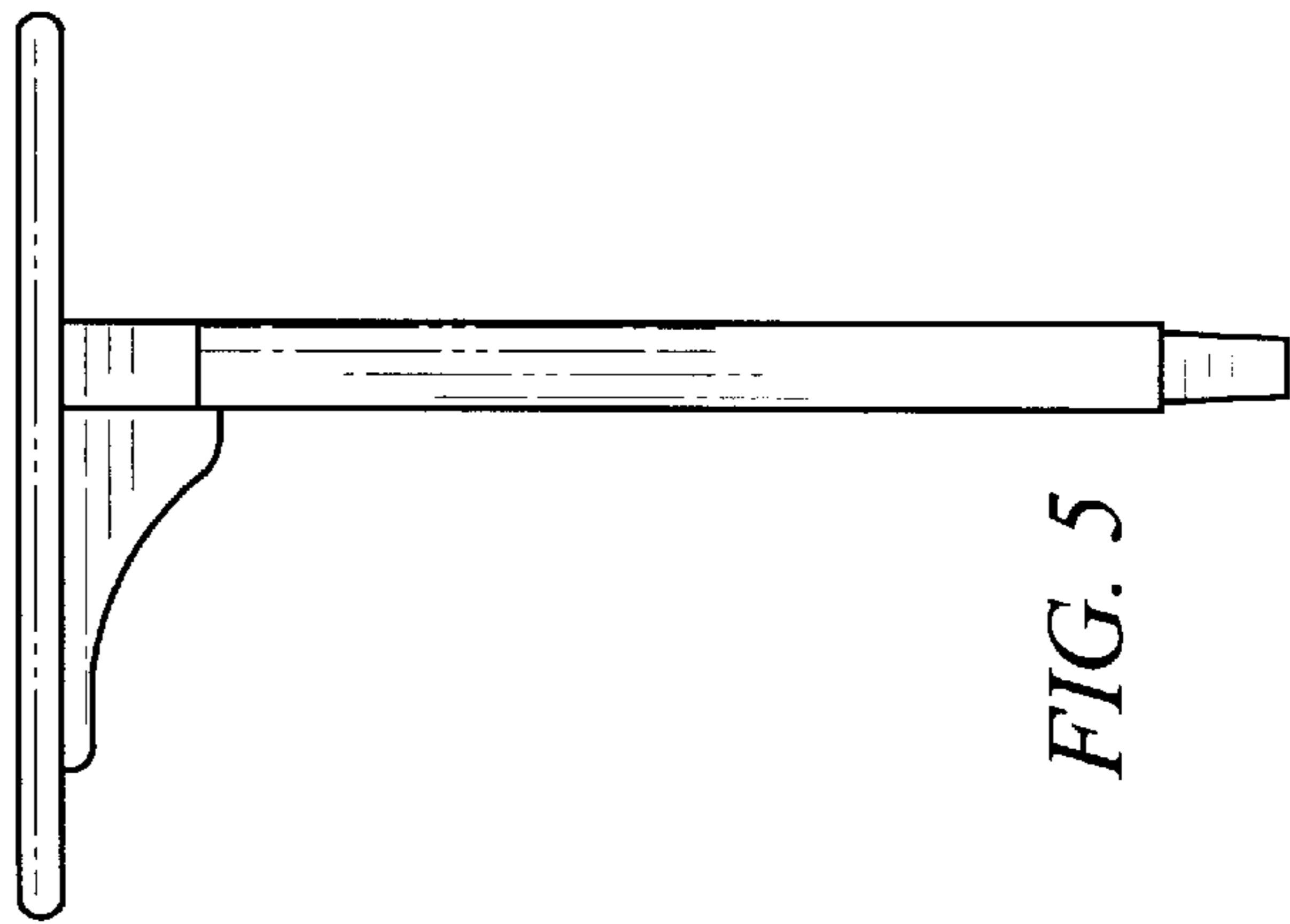


FIG. 5