



US00D465671S

(12) **United States Design Patent**
Sheil et al.

(10) **Patent No.:** **US D465,671 S**

(45) **Date of Patent:** **** Nov. 19, 2002**

- (54) **ARMS FOR A SOFA OR CHAIR**
- (75) Inventors: **Susan Sheil**, Jefferson, WI (US); **John Buckman**, Green Bay, WI (US)
- (73) Assignee: **KCS, Inc.**, Jefferson, WI (US)
- (**) Term: **14 Years**

- D437,142 S 2/2001 Hutton
- D437,502 S 2/2001 Hutton
- D438,721 S 3/2001 Binder et al.
- D439,426 S 3/2001 Murray
- D439,432 S 3/2001 Hutton
- D440,067 S 4/2001 Corella
- D441,978 S 5/2001 Hutton
- D443,770 S 6/2001 Corella

* cited by examiner

Primary Examiner—Gary D. Watson

(74) *Attorney, Agent, or Firm*—Nicholas A. Kees; Godfrey & Kahn, S.C.

- (21) Appl. No.: **29/149,614**
- (22) Filed: **Oct. 12, 2001**
- (51) **LOC (7) Cl.** **06-01**
- (52) **U.S. Cl.** **D6/381; D6/379**
- (58) **Field of Search** D6/334, 335, 336,
D6/379, 381, 500, 501, 502; 5/12.1; 297/232,
445.1, 446.1

(57) **CLAIM**

The ornamental design for arms for a sofa or chair, substantially as shown and described.

DESCRIPTION

FIG. 1 is a perspective view of an embodiment of my ornamental design for the arms of a sofa or chair, in the embodiment of a sofa;

FIG. 2 is a front elevational view thereof;

FIG. 3 is a rear elevational view thereof;

FIG. 4 is a top plan view thereof;

FIG. 5 is an end view of either embodiment as seen from the left side of FIGS. 1 and 6, the opposite end view being a mirror image thereof.

FIG. 6 is a perspective view of an embodiment of my ornamental design for the arms of a sofa or chair, in the embodiment of a chair;

FIG. 7 is a top plan view thereof;

FIG. 8 is a front elevational view thereof; and,

FIG. 9 is a rear elevational view thereof.

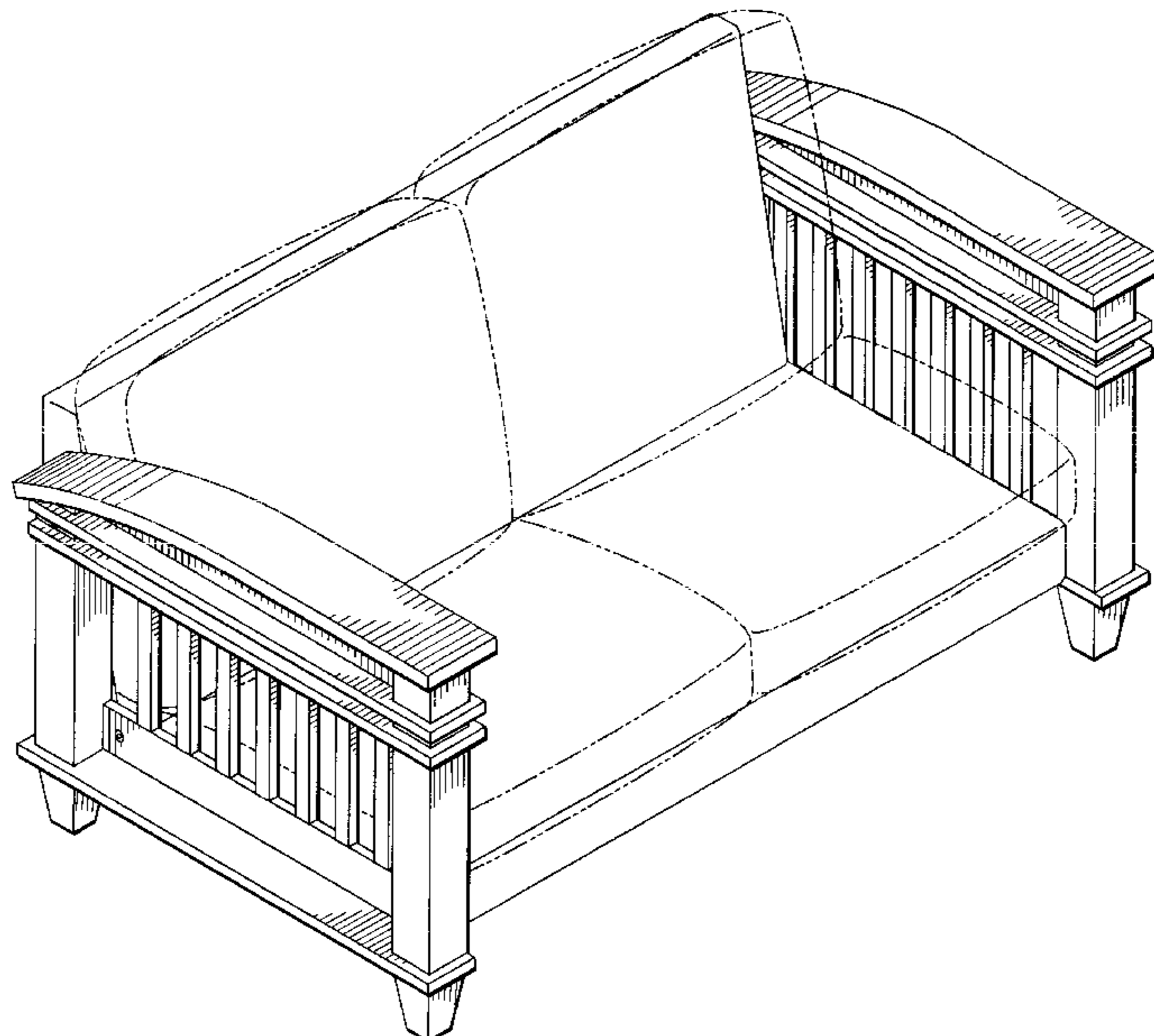
The cushions shown in phantom or broken lines in the figures form no part of the claimed design and are included only for the purpose of illustrating an environment.

(56) **References Cited**

U.S. PATENT DOCUMENTS

- D35,082 S * 9/1901 Stickleby D6/379
- 1,248,702 A * 12/1917 Percival 5/12.1
- 1,262,110 A * 4/1918 Slack 5/12.1
- D225,145 S * 11/1972 Winrow D6/379
- D226,155 S * 1/1973 Winrow D6/379
- D229,135 S * 11/1973 Ruoslahti D6/379
- D240,680 S * 7/1976 Nash D6/379
- D244,109 S * 4/1977 Zola D6/334
- D339,243 S 9/1993 Durling
- D346,505 S 5/1994 Schweiger
- D349,198 S 8/1994 Lee
- D353,961 S 1/1995 Deluca
- D354,628 S 1/1995 Lee
- D357,366 S 4/1995 McGuire
- D363,171 S * 10/1995 Kramer D6/381
- D364,753 S 12/1995 Genova et al.
- D425,339 S * 5/2000 Schlichter et al. D6/492
- D426,407 S * 6/2000 Schlichter et al. D6/492
- D431,930 S 10/2000 Culler
- D435,878 S 1/2001 Noonan

1 Claim, 5 Drawing Sheets



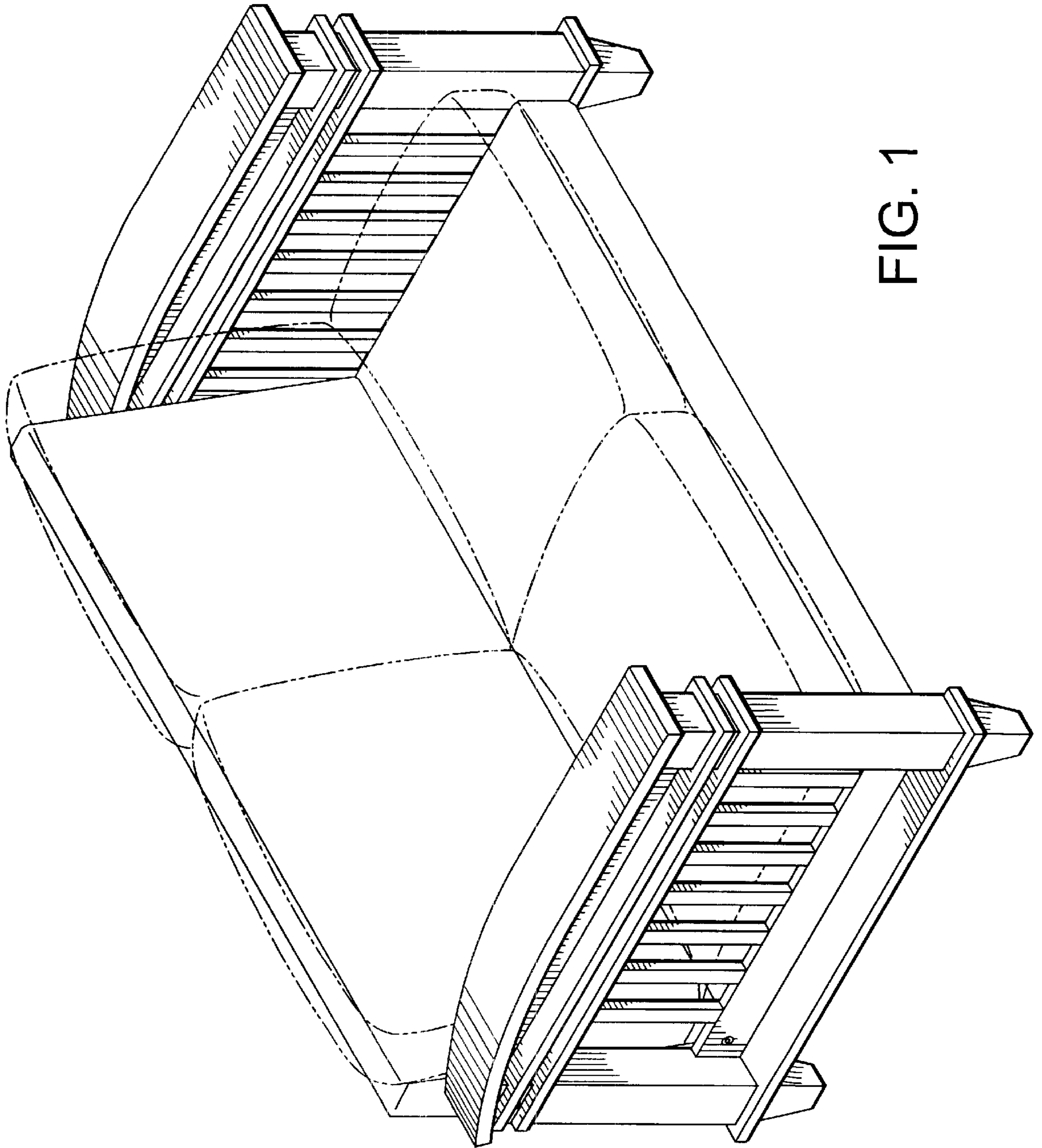


FIG. 1

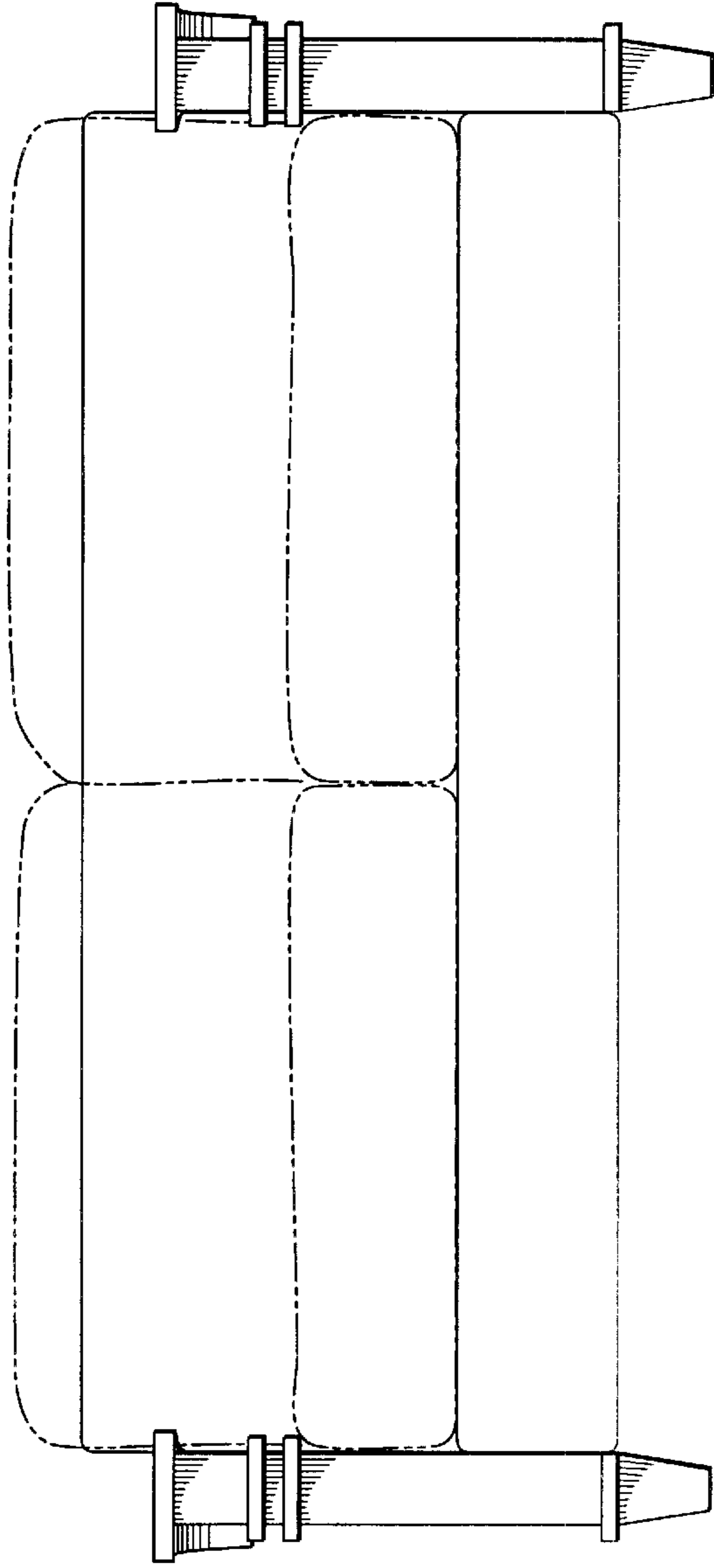


FIG. 2

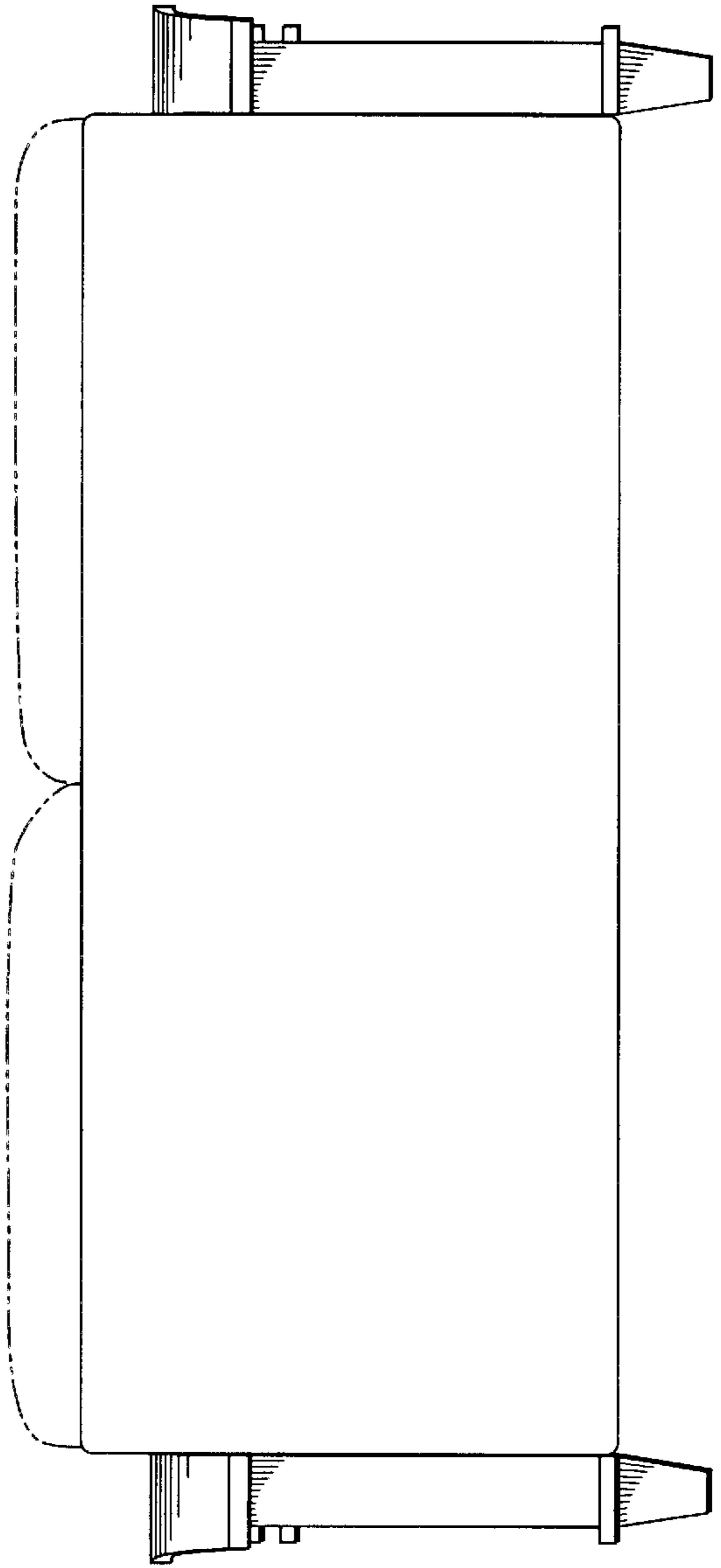


FIG. 3

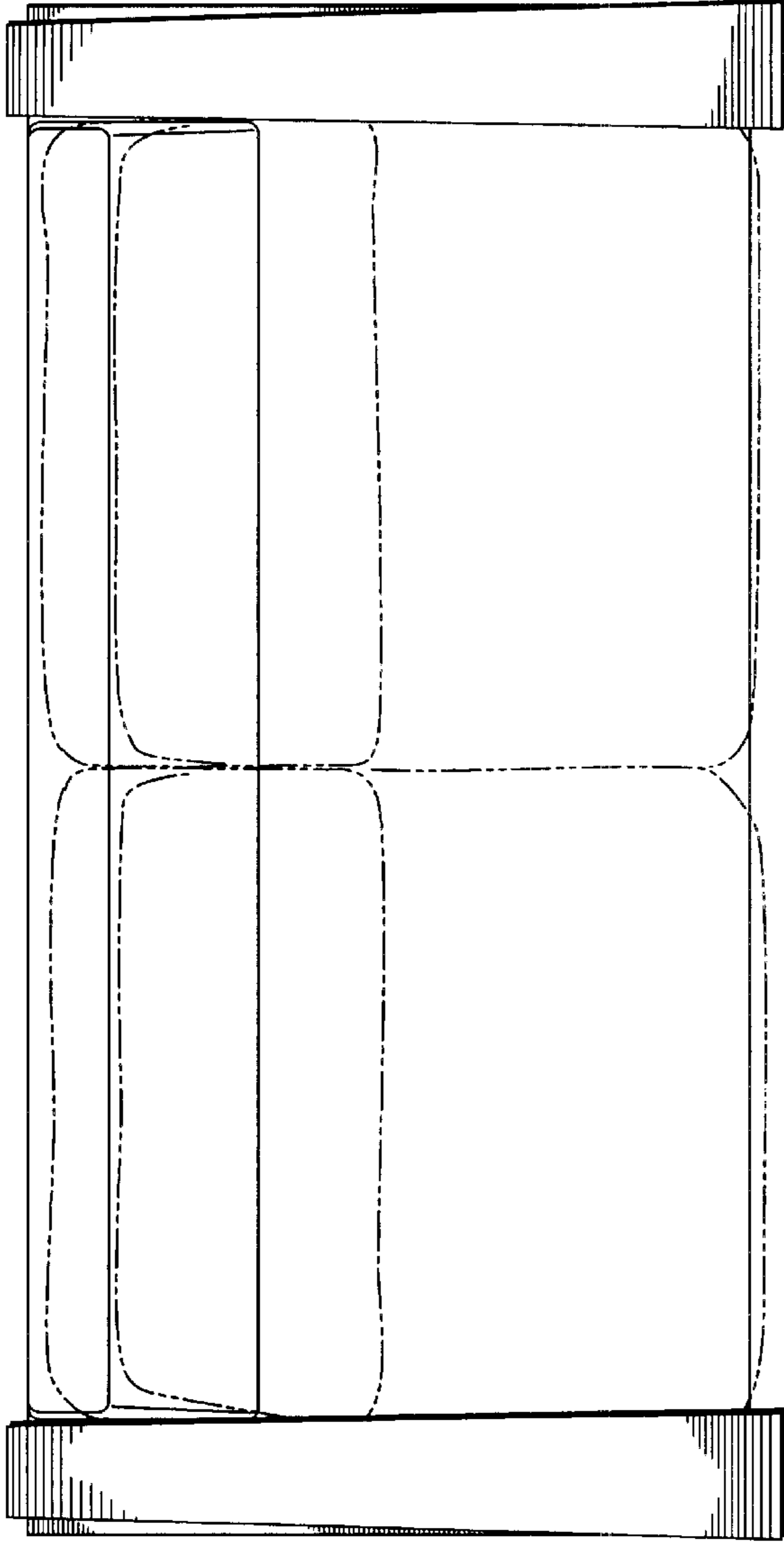


FIG. 4

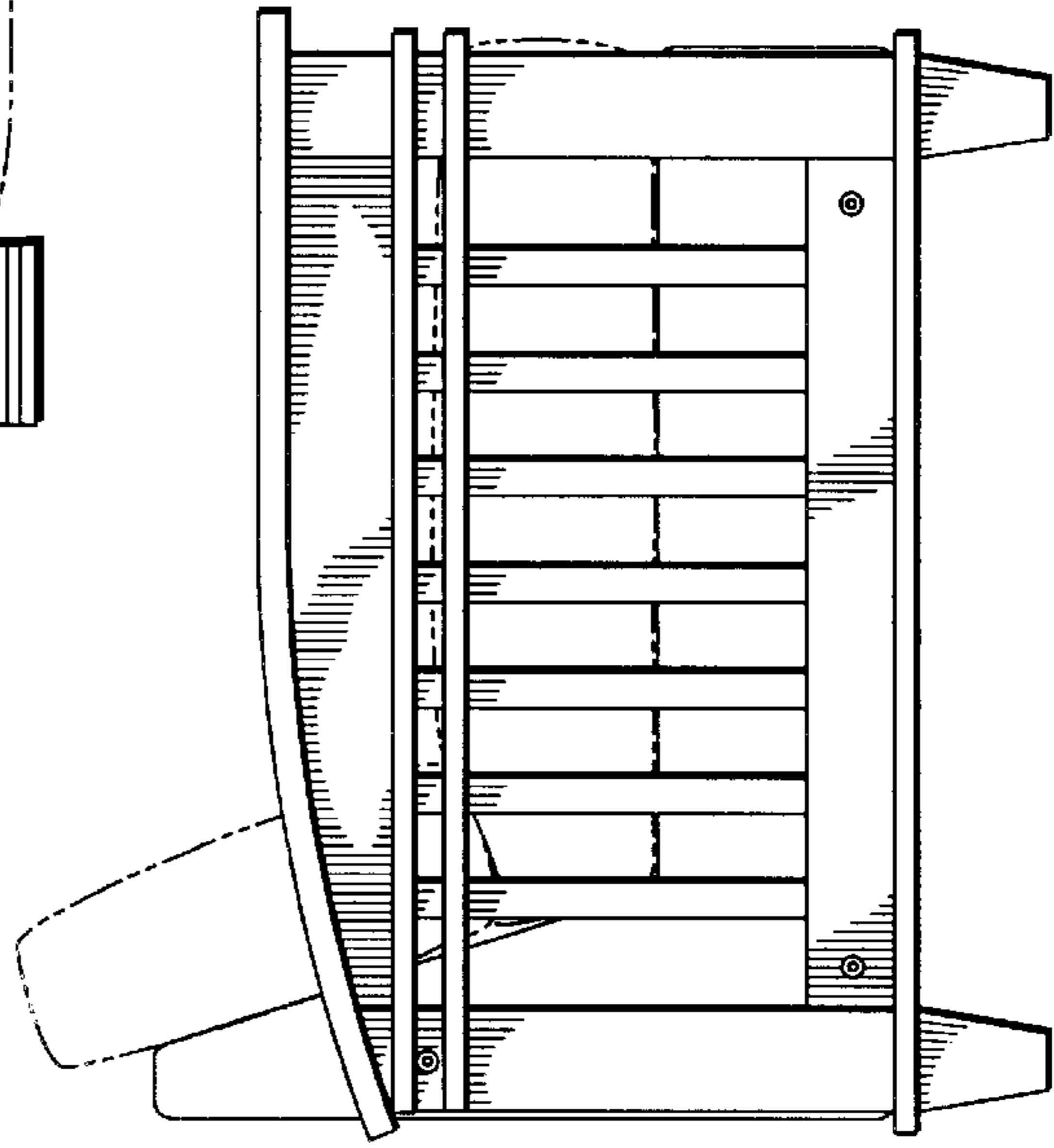


FIG. 5

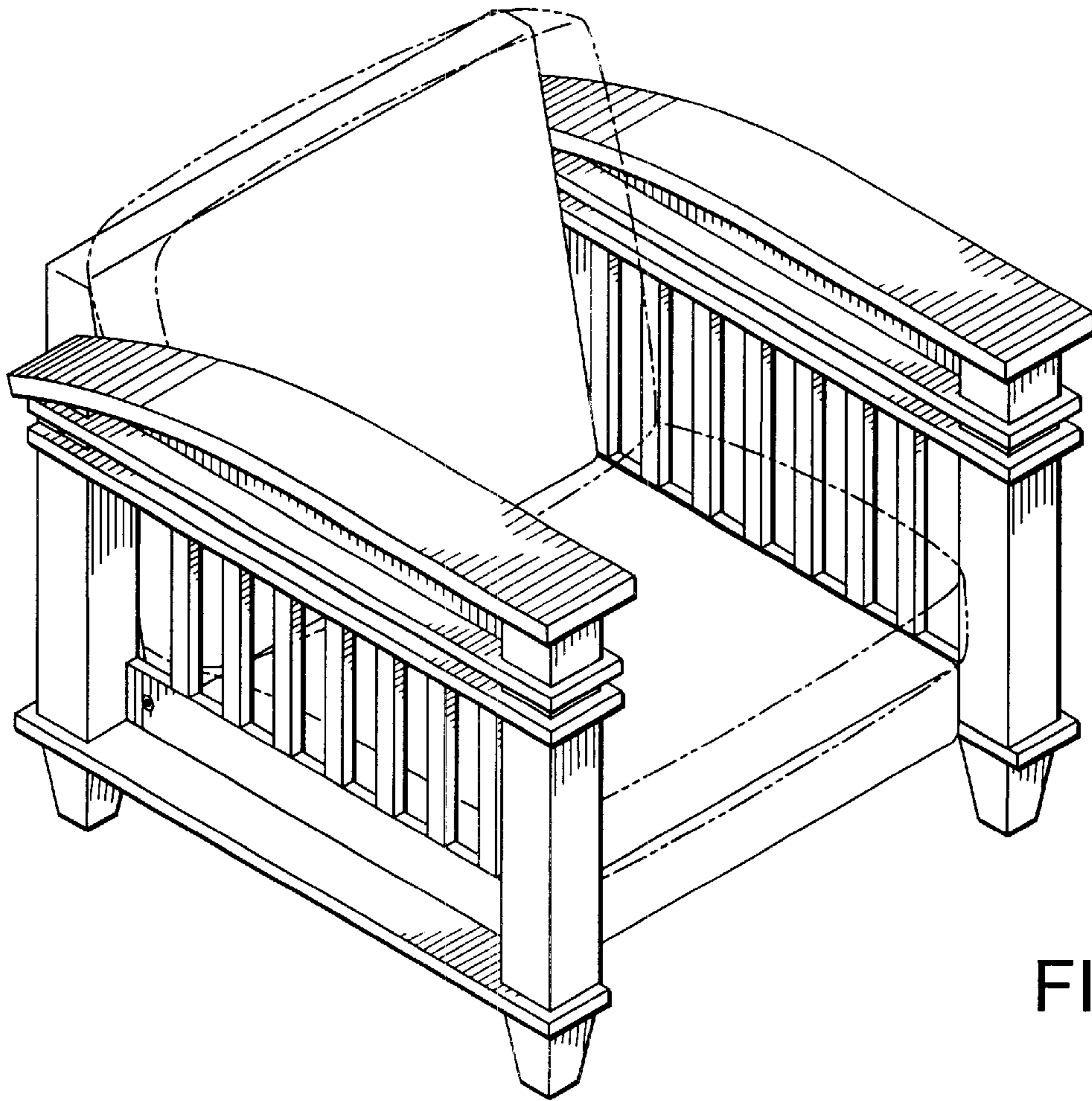


FIG. 6

FIG. 7

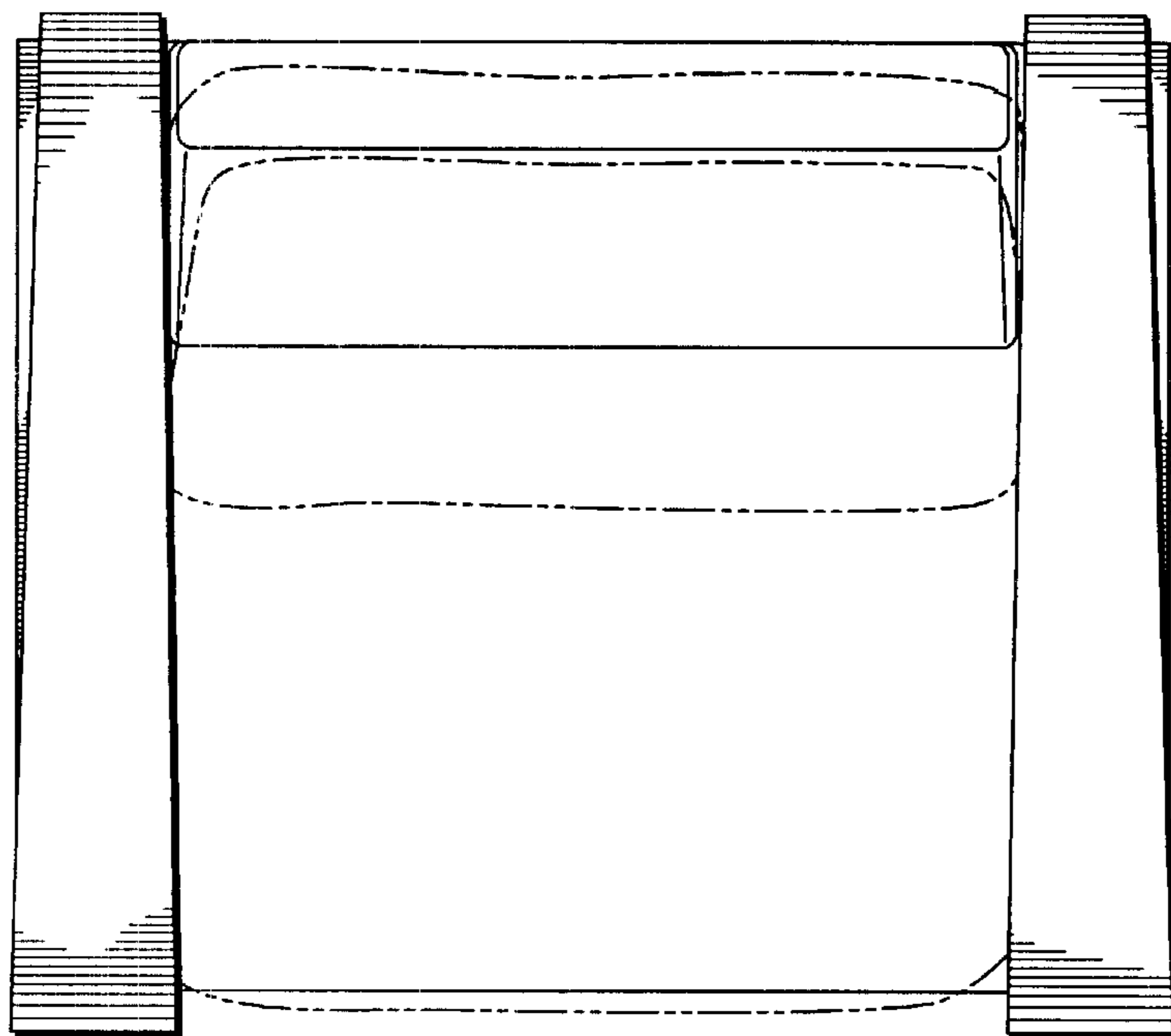


FIG. 8

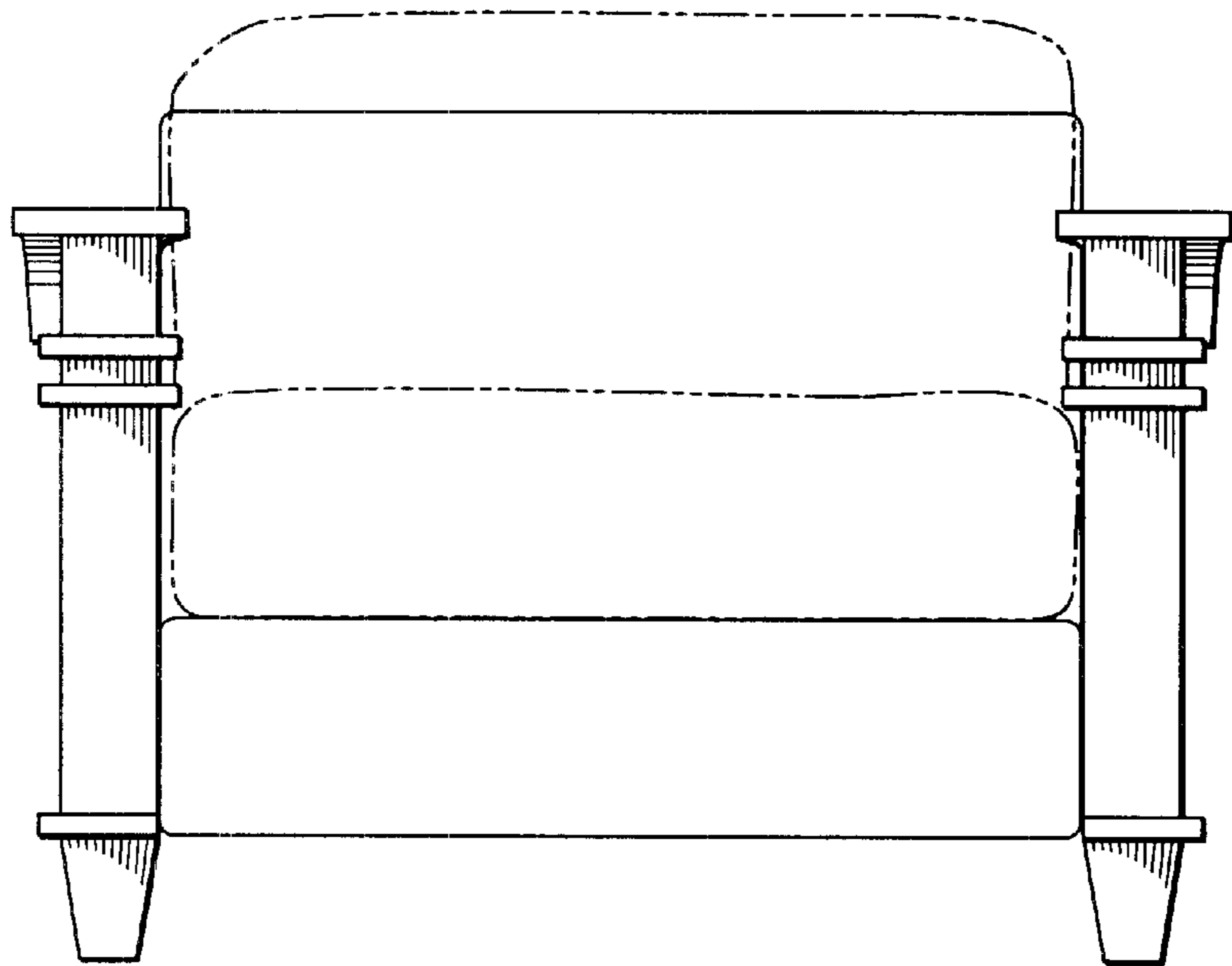


FIG. 9

