



US00D465654S

(12) **United States Design Patent**
Richmond et al.

(10) **Patent No.:** **US D465,654 S**

(45) **Date of Patent:** **** Nov. 19, 2002**

(54) **COMBINED ROTATABLE HAIRBRUSH AND SUPPORT BASE**

(75) Inventors: **David J. Richmond**, Los Angeles, CA (US); **Jeffery Scott Kunkler**, Chicago, IL (US); **Claudio Marino**, Van Nuys, CA (US); **Michael Ragosta**, Reseda, CA (US); **Raffaele Mazzei**, Encinitas, CA (US); **James Choe**, West Covina, CA (US)

(73) Assignee: **Revolutionary Products, Inc.**, Los Angeles, CA (US)

(**) Term: **14 Years**

(21) Appl. No.: **29/154,270**

(22) Filed: **Jan. 18, 2002**

(51) **LOC (7) Cl.** **04-02**

(52) **U.S. Cl.** **D4/102; D4/116**

(58) **Field of Search** D4/100, 102, 116, D4/121, 133, 136, 138, 199; D13/108; D28/73; 15/22.1, 23, 27; 132/120, 212, 226, 238, 262, 265, 271, 313

(56) **References Cited**

U.S. PATENT DOCUMENTS

- D215,689 S * 10/1969 Irelan
- D230,381 S * 2/1974 Yran D13/108
- D324,454 S * 3/1992 Herron D4/102

- D328,976 S * 9/1992 Herron D4/102
- 6,098,635 A * 8/2000 Marino 132/238
- D439,051 S * 3/2001 White D4/102

FOREIGN PATENT DOCUMENTS

- FR 2258814 * 8/1975 A45D/20/48
- FR 2276794 * 1/1976 A45D/2/14

* cited by examiner

Primary Examiner—Alan P. Douglas

Assistant Examiner—Lavone D. Tabor

(74) *Attorney, Agent, or Firm*—Fulwider Patton, et al.; Ellsworth R. Roston

(57) **CLAIM**

The ornamental design for a combined rotatable hairbrush and support base, as shown and described.

DESCRIPTION

FIG. 1 is a bottom, rear, and left side perspective view of a combined rotatable hairbrush and support base showing our new design;
 FIG. 2 is a front elevational view thereof with the head rotated to an alternate position;
 FIG. 3 is a right side elevational view of FIG. 2;
 FIG. 4 is a rear elevational view of FIG. 2;
 FIG. 5 is a top plan view of FIG. 2;
 FIG. 6 is a bottom plan view of FIG. 2; and,
 FIG. 7 is exploded view of the side shown in FIG. 3.

1 Claim, 4 Drawing Sheets

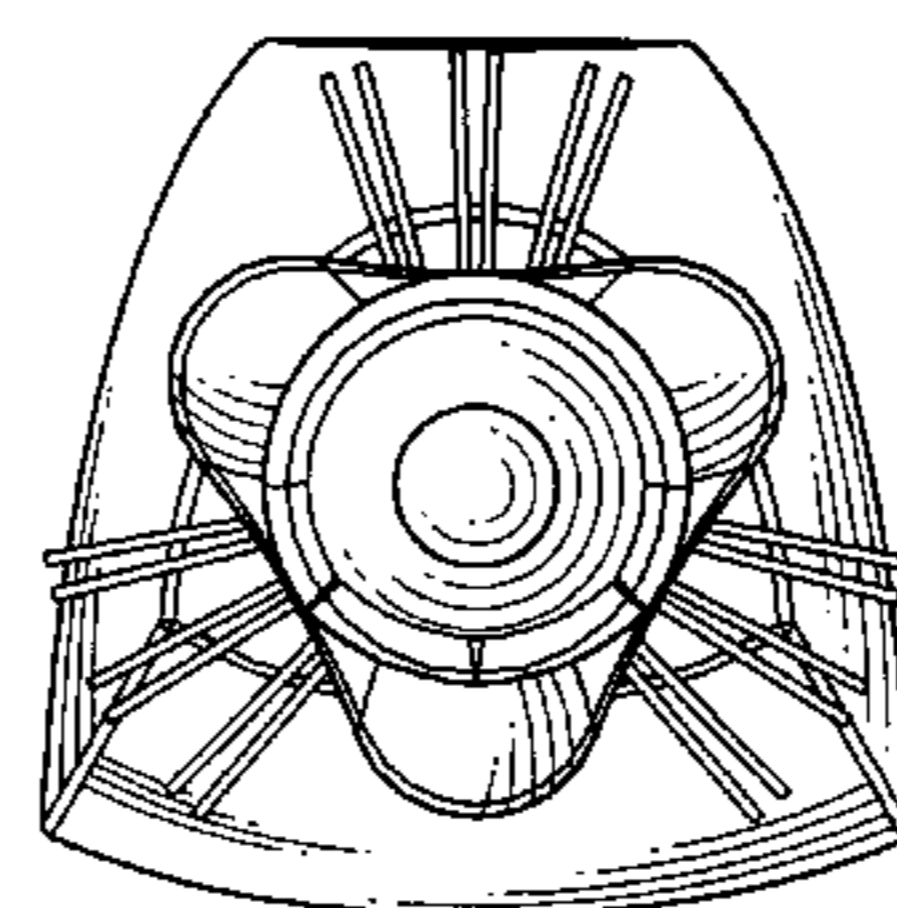
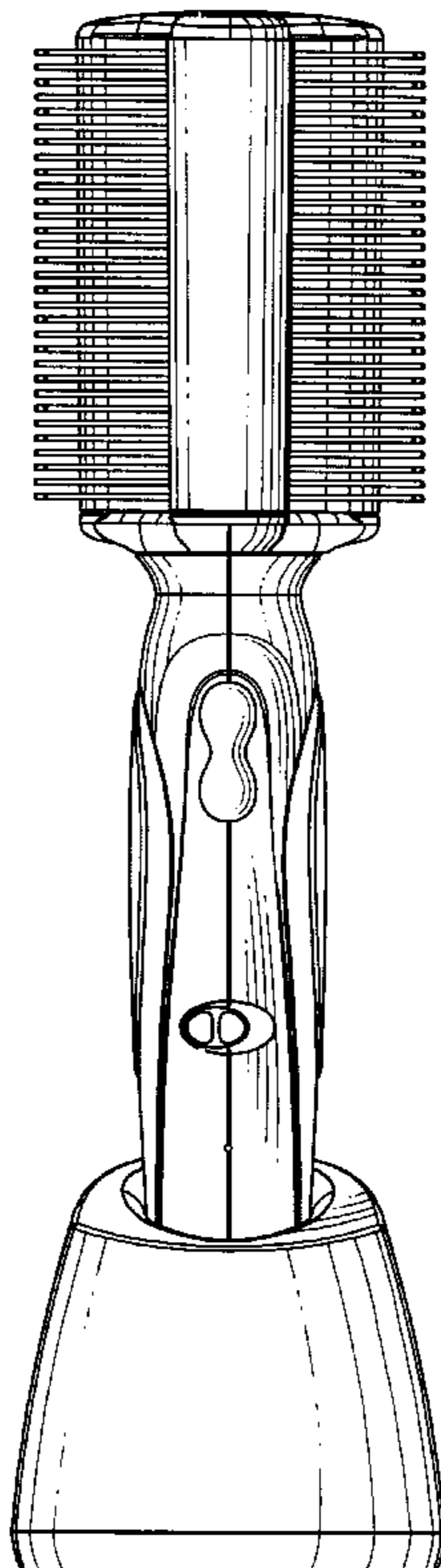
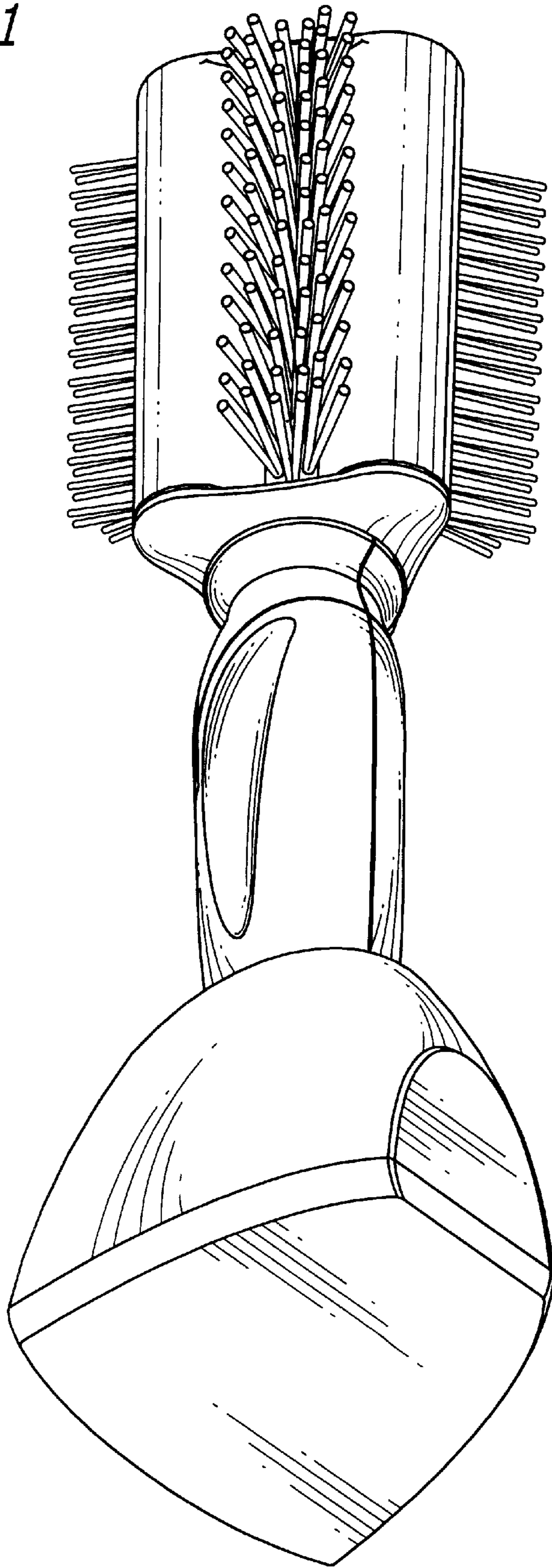


FIG. 1



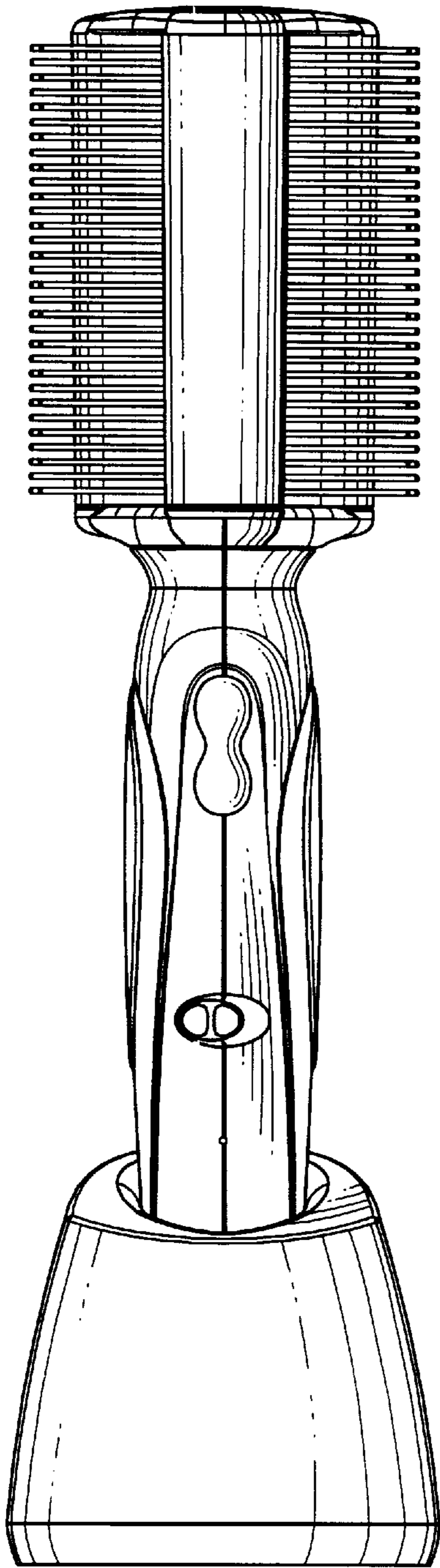


FIG. 2

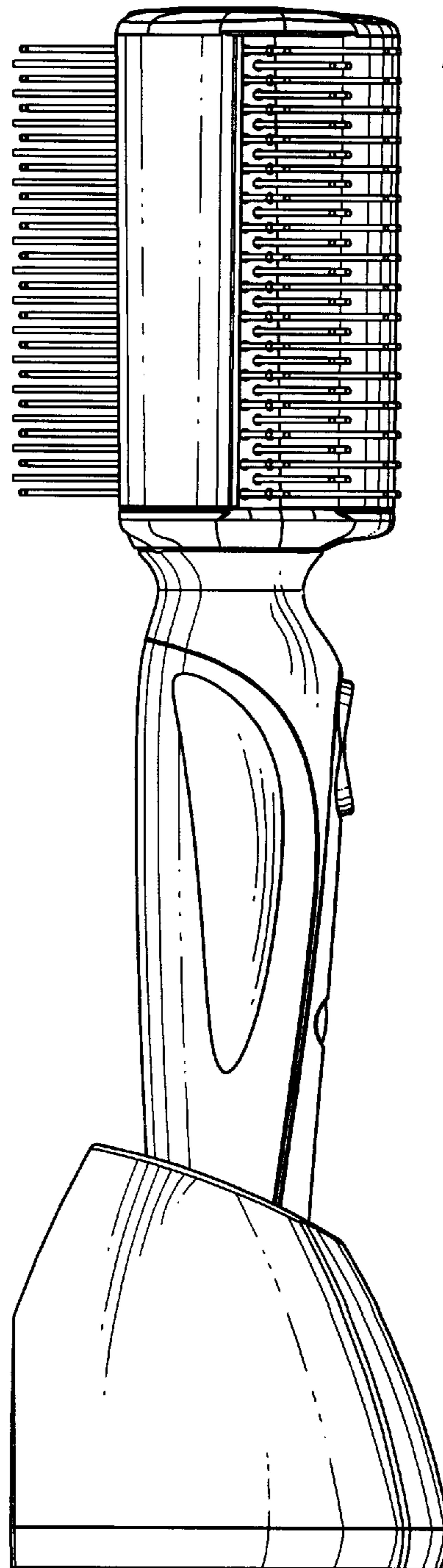


FIG. 3

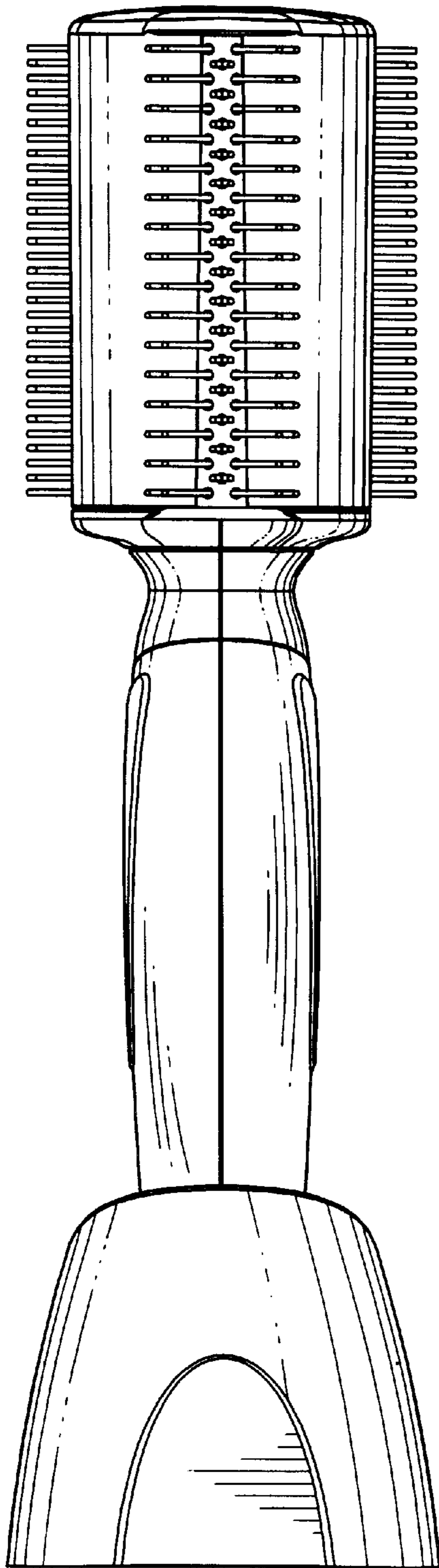


FIG. 4

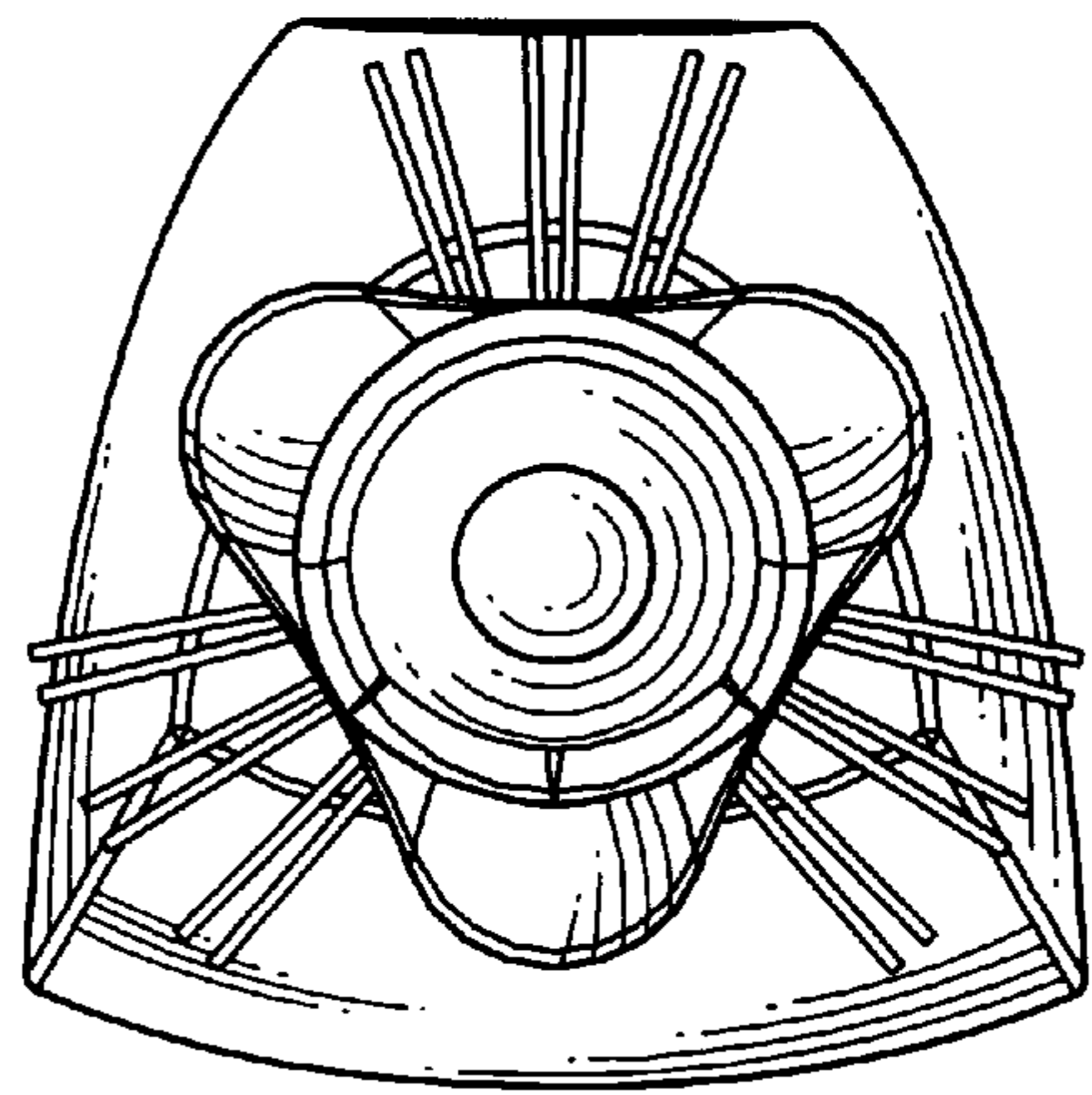


FIG. 5

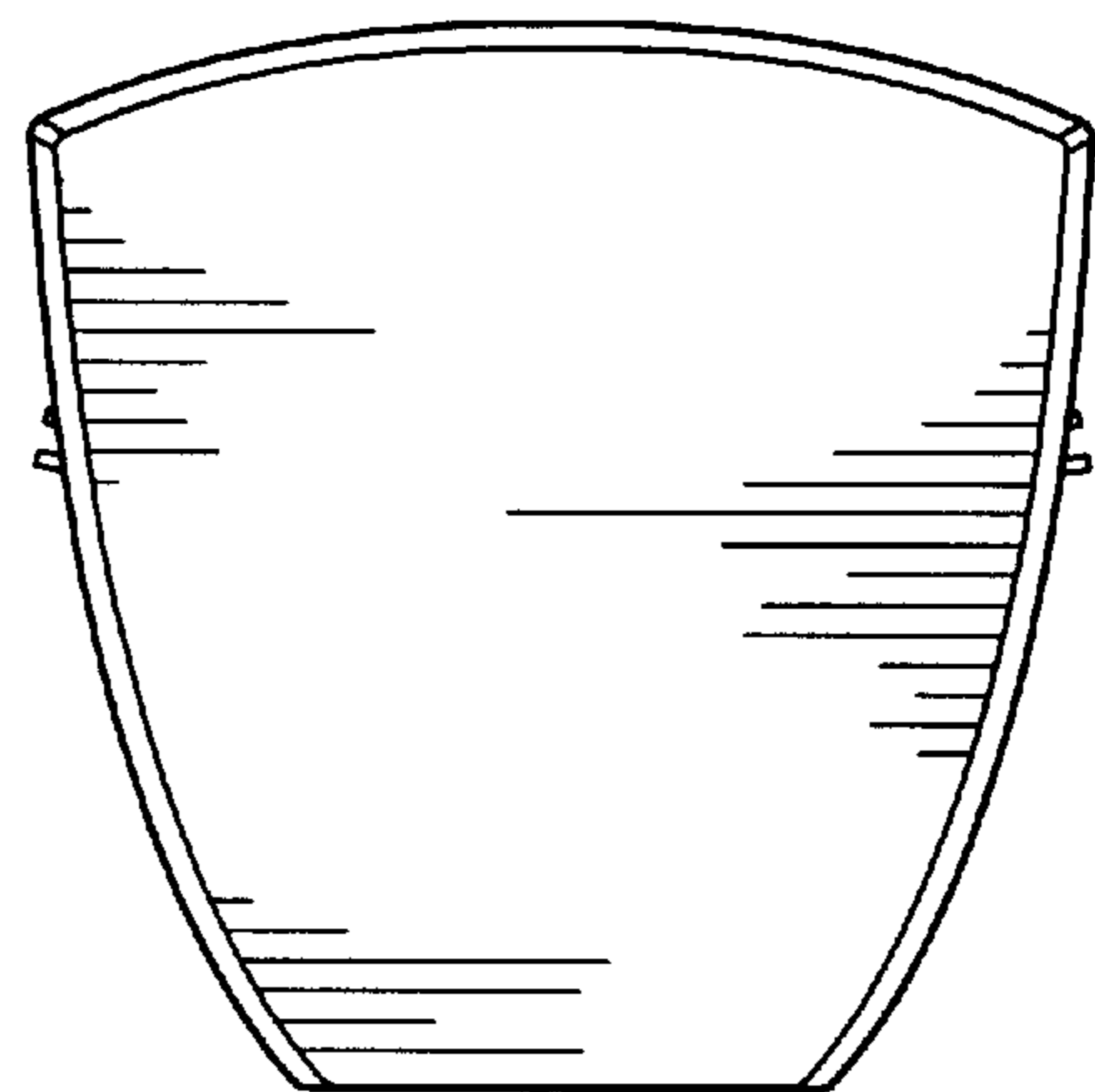


FIG. 6

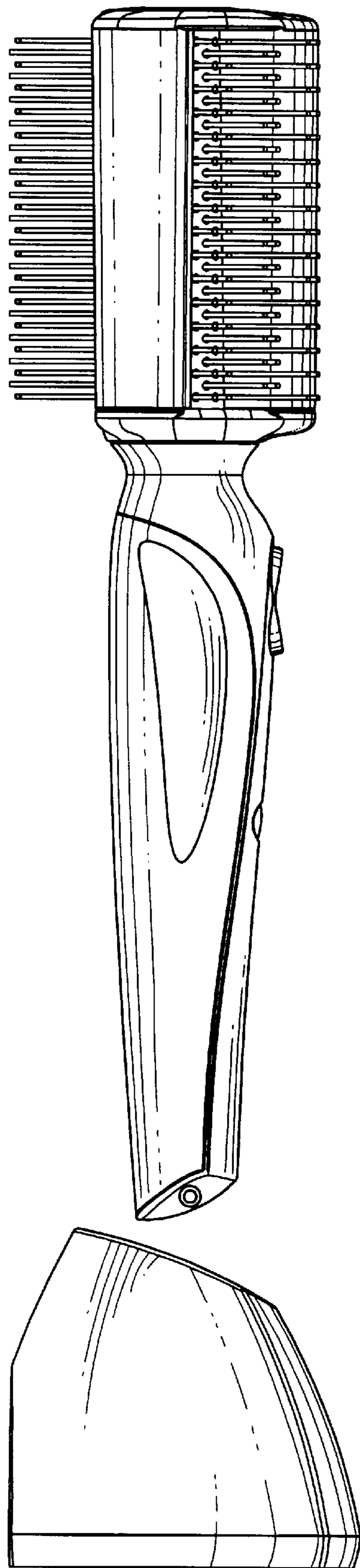


FIG. 7