



US00D465653S

(12) **United States Design Patent**  
**Fuschillo**

(10) **Patent No.:** **US D465,653 S**

(45) **Date of Patent:** **\*\* Nov. 19, 2002**

(54) **PORTABLE FRAME WITH REMOVABLE INSERT AND ATTACHED SWIVEL HOOK FOR HOLDING PURSES AND OTHER ITEMS**

IT 485405 10/1953

\* cited by examiner

*Primary Examiner*—Louis S. Zarfes

*Assistant Examiner*—Deanne Levy

(76) **Inventor:** **Carmella Fuschillo**, P.O. Box 935,  
Silver Springs, FL (US) 34489

(57) **CLAIM**

(\*\*) **Term:** **14 Years**

The ornamental design for a portable frame with removable insert and attached swivel hook for holding purses and other items, as shown and described.

(21) **Appl. No.:** **29/135,646**

**DESCRIPTION**

(22) **Filed:** **Jan. 16, 2001**

(51) **LOC (7) Cl.** ..... **03-99**

(52) **U.S. Cl.** ..... **D3/328**

(58) **Field of Search** ..... D3/304, 328; D6/315,  
D6/323, 327, 513, 517; D8/367, 373, 349;  
223/DIG. 2, DIG. 4; 211/13.1, 113, 118;  
248/302, 304, 308, 914, 339, 309.1

FIG. 1 is a front view of the portable frame with removable insert and attached swivel hook for holding purses and other items;

FIG. 2 is a back view of the portable frame with removable insert and attached swivel hook for holding purses and other items;

FIG. 3 is a left side view of the portable frame with removable insert and attached swivel hook for holding purses and other items;

FIG. 4 is a right side view of the portable frame with removable insert and attached swivel hook for holding purses and other items;

FIG. 5 is a top view of the portable frame with removable insert and attached swivel hook for holding purses and other items;

FIG. 6 is a bottom view of the portable frame with removable insert and attached swivel hook for holding purses and other items; and,

FIG. 7 is a perspective view of the removable insert for the portable frame with removable insert and attached swivel hook for holding purses and other items.

(56) **References Cited**

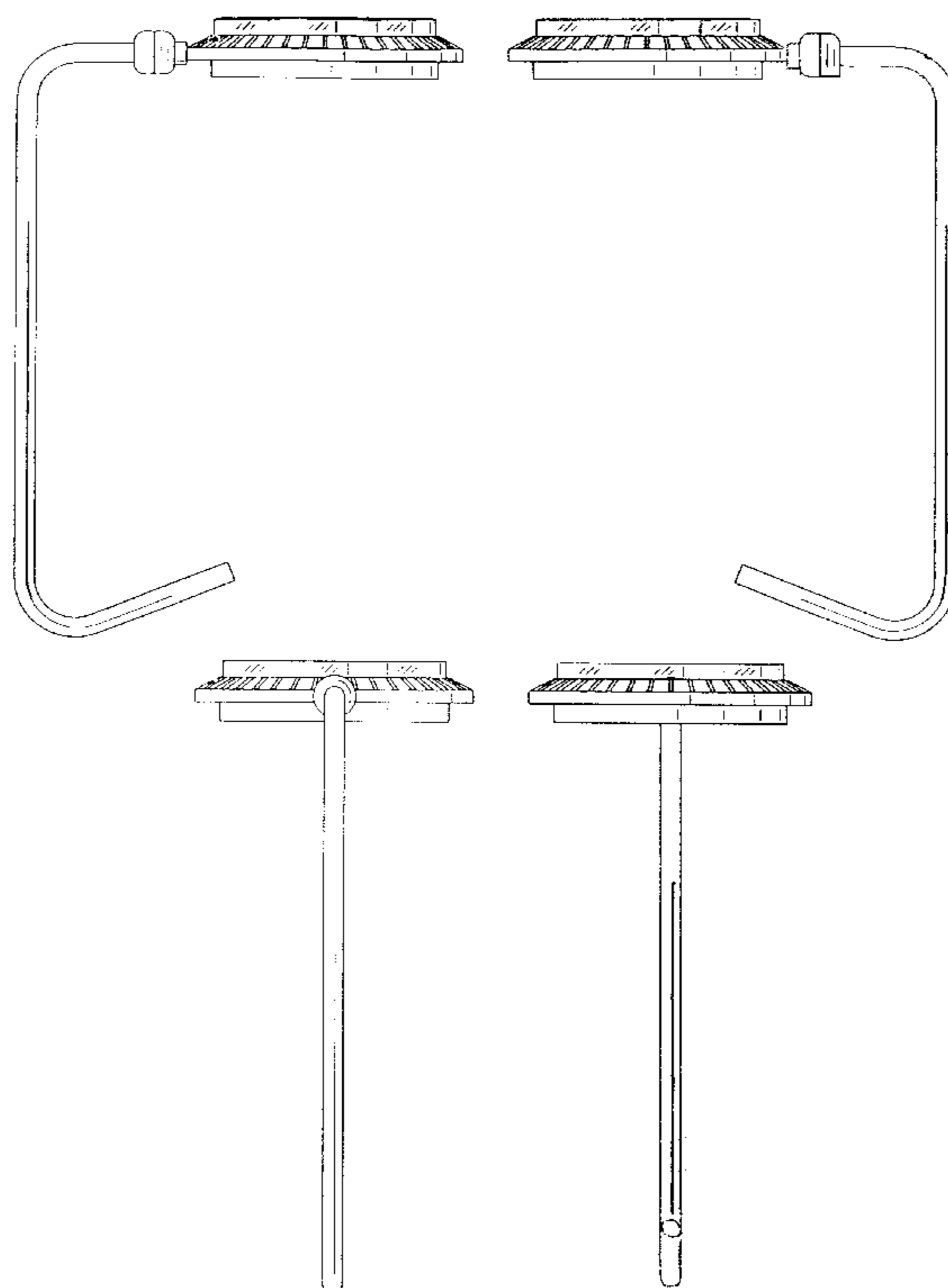
**U.S. PATENT DOCUMENTS**

2,473,086	A	6/1949	Montero	
2,532,255	A	11/1950	Davis	
D229,870	S	* 1/1974	Czarny	..... D3/328
D429,899	S	* 8/2000	Schwartz	..... D3/328
D435,733	S	* 1/2001	Osterholt	..... D3/328

**FOREIGN PATENT DOCUMENTS**

FR	423174	11/1910
FR	1188808	12/1957
FR	1443138	3/1965
GB	667872	3/1952
GB	668051	3/1952

**1 Claim, 1 Drawing Sheet**



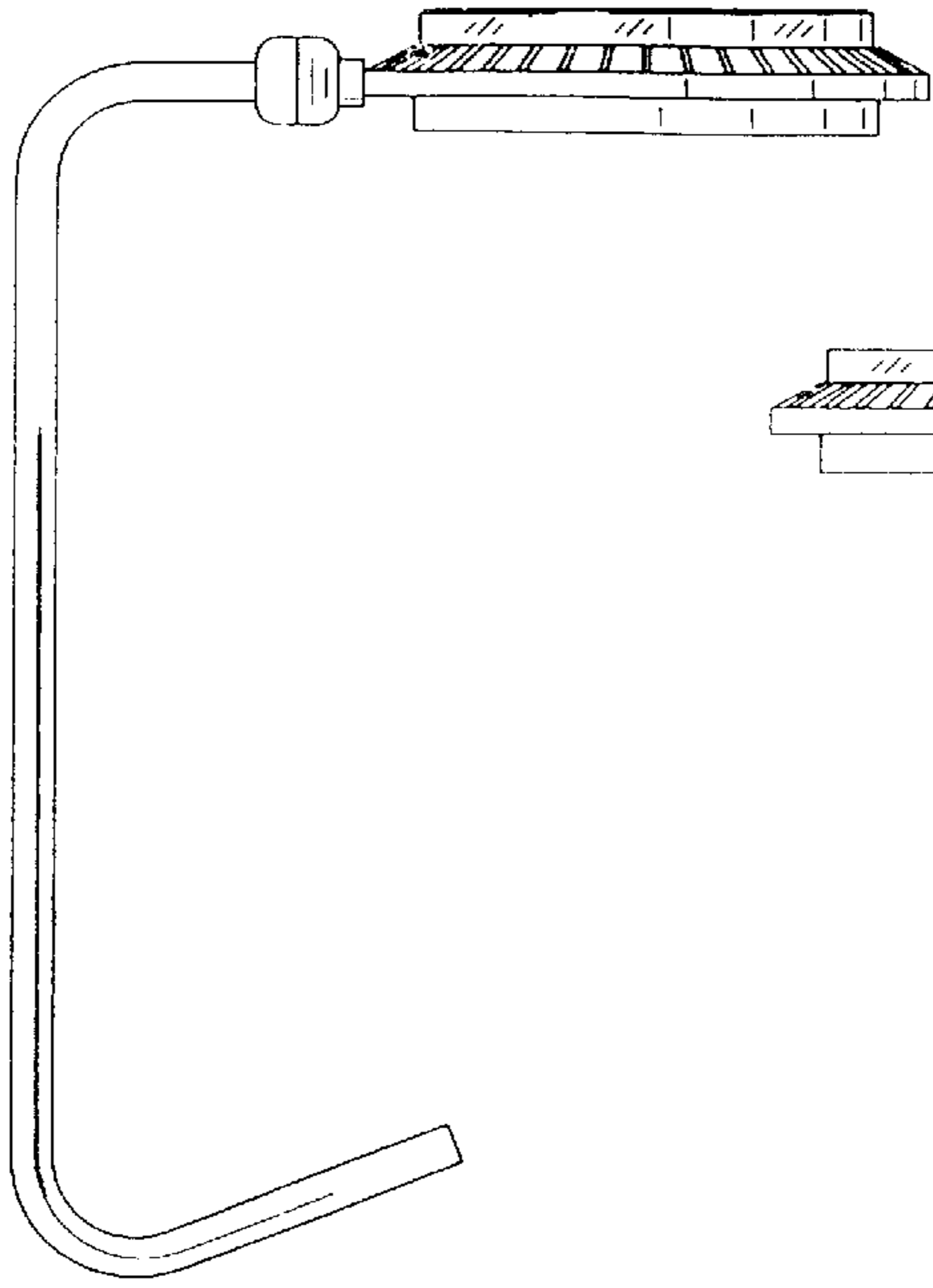


FIG. 1

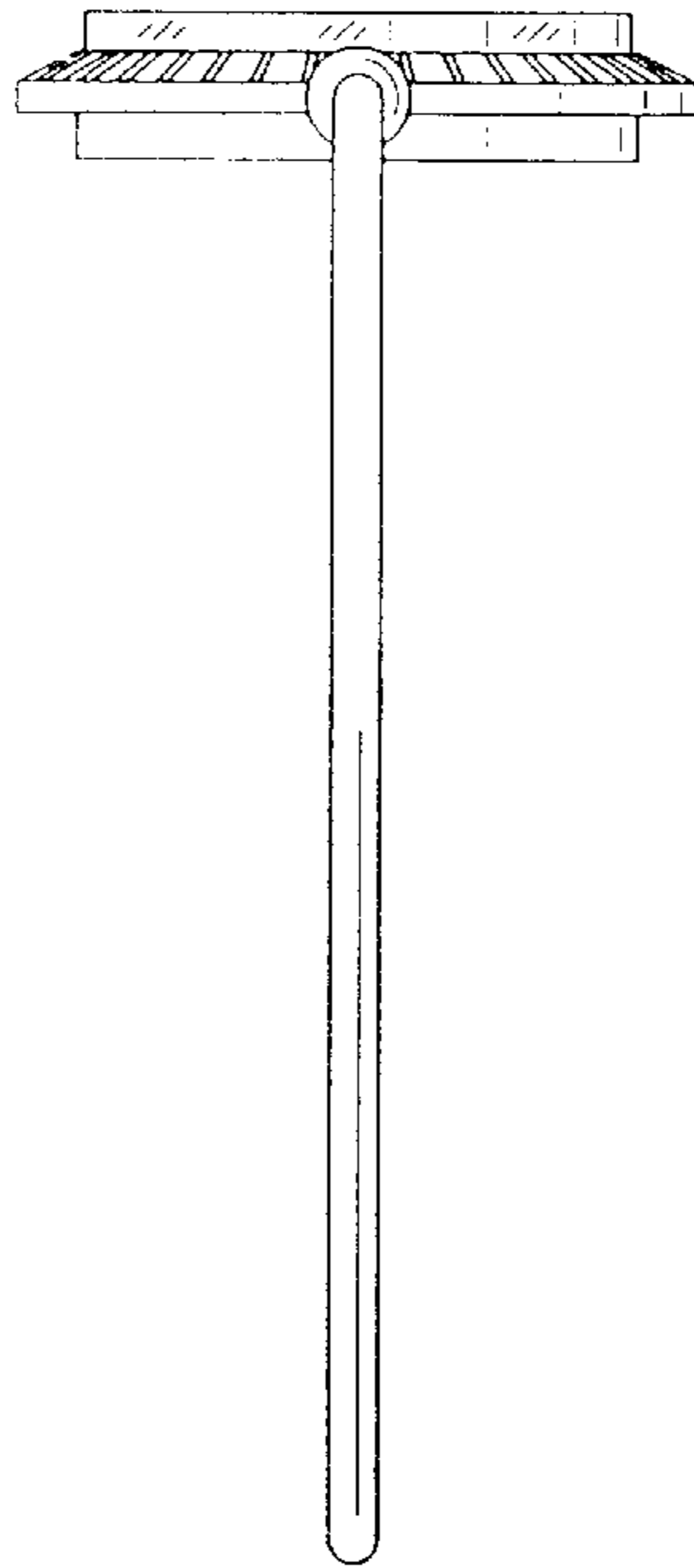


FIG. 3

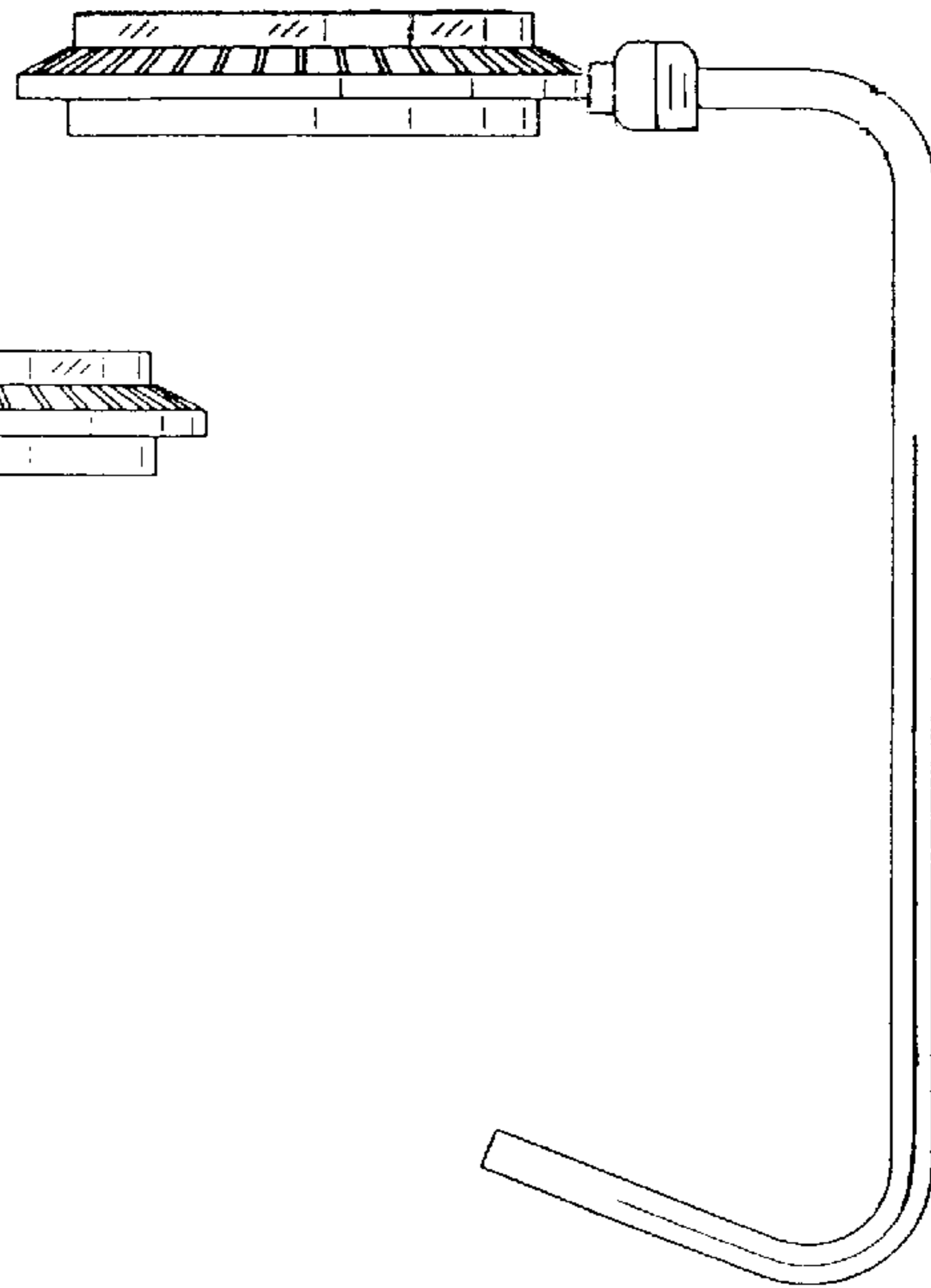


FIG. 2

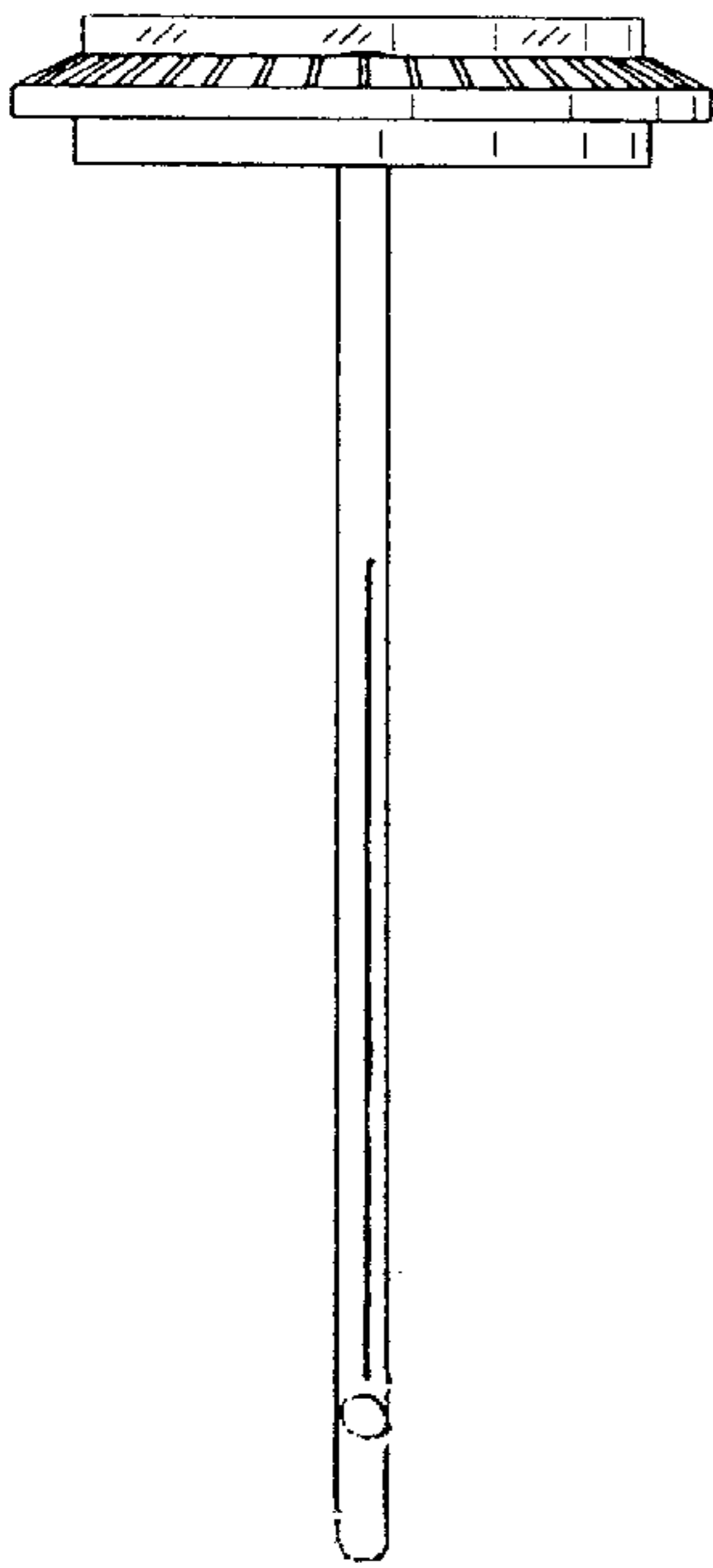


FIG. 4

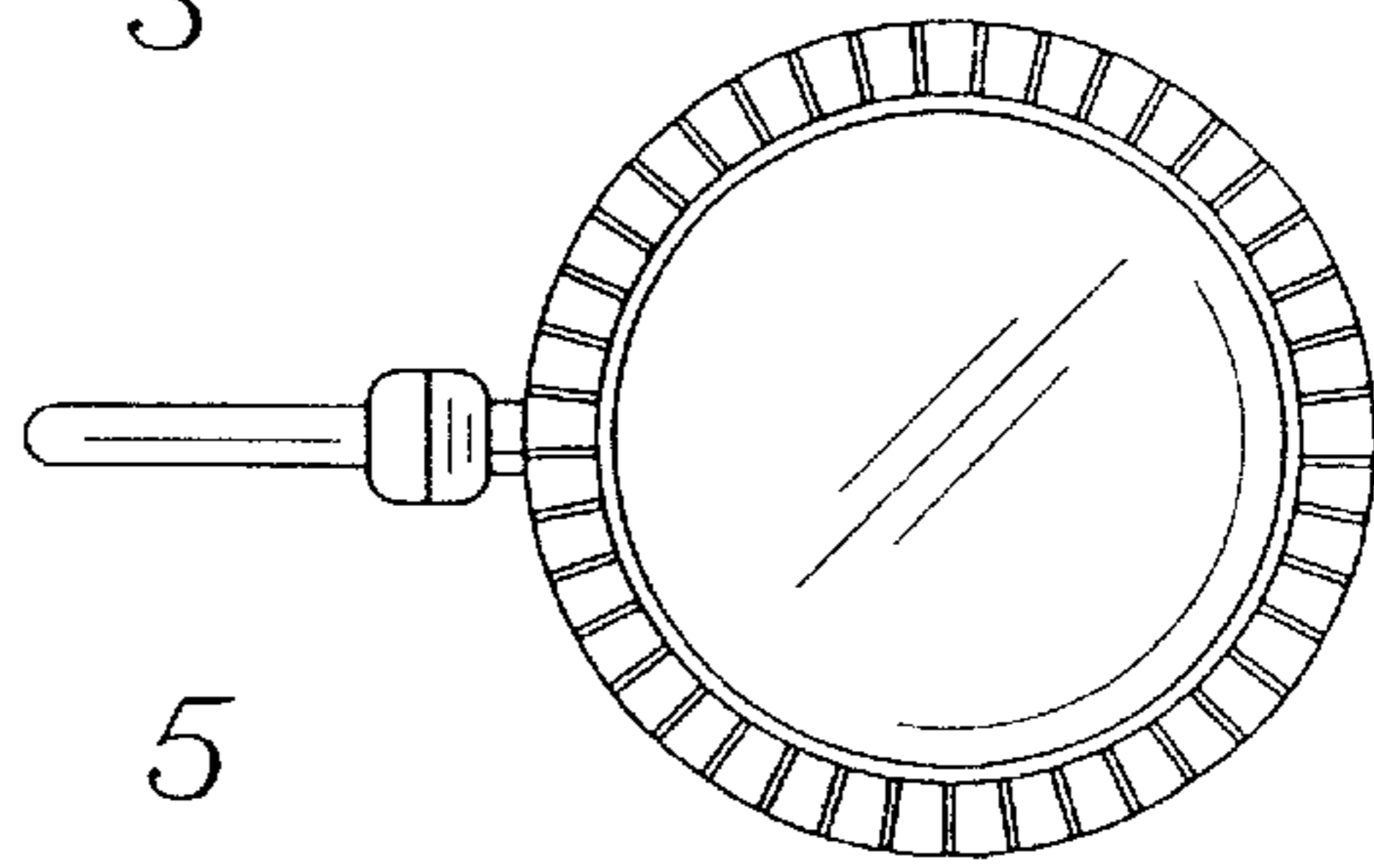


FIG. 5

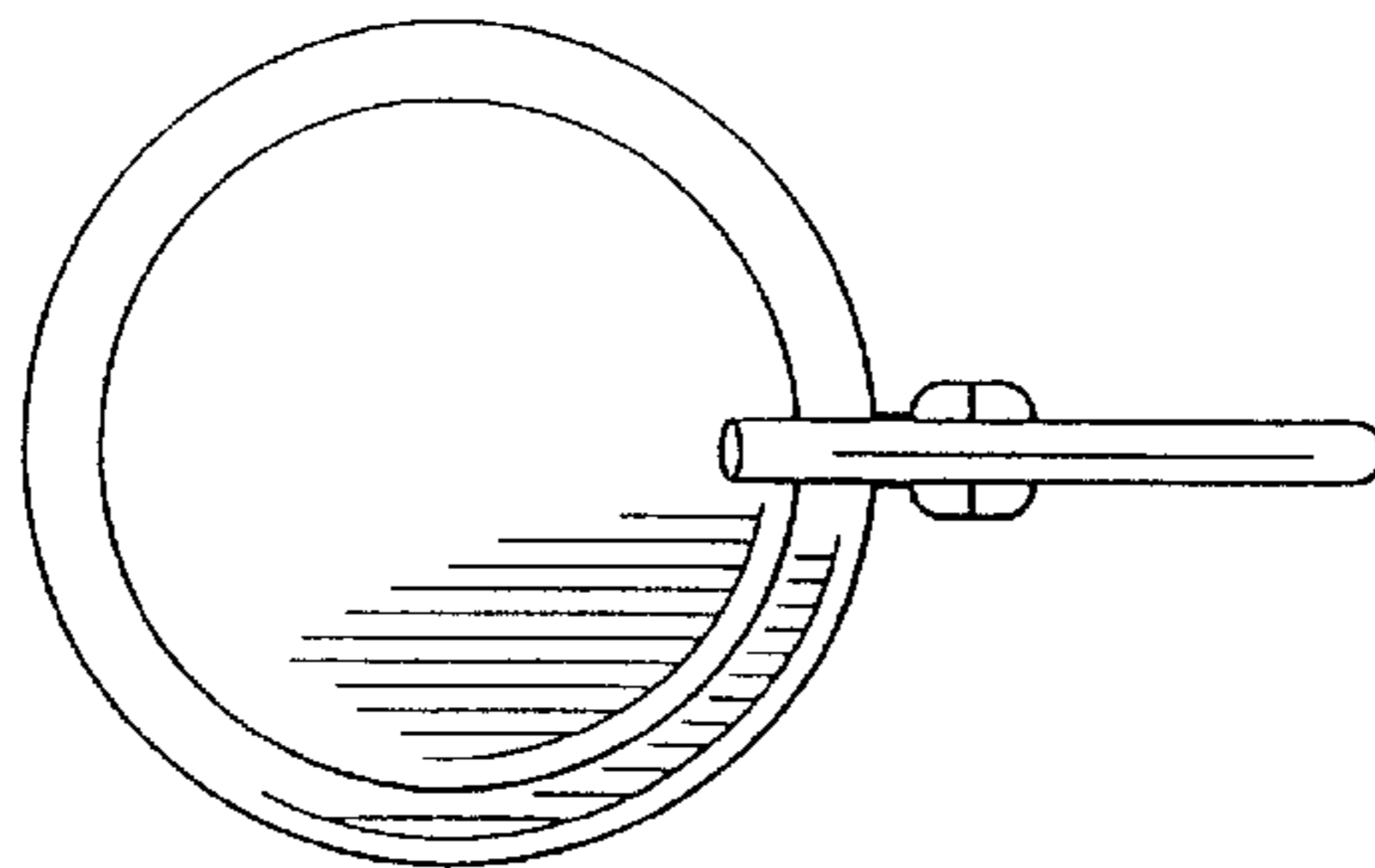


FIG. 6

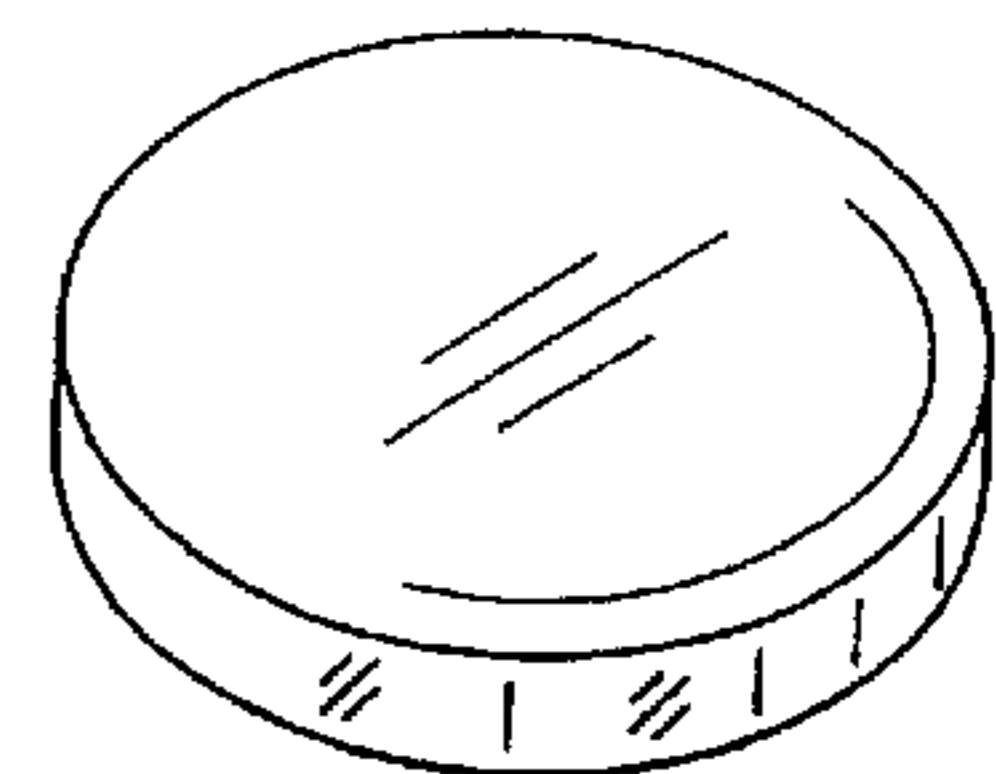


FIG. 7