



US00D465651S

(12) **United States Design Patent**
Platte, III

(10) **Patent No.:** **US D465,651 S**

(45) **Date of Patent:** **** Nov. 19, 2002**

(54) **PAPER TOTE/ORGANIZER**

(75) **Inventor:** **Curtis Richard Platte, III**, Simi Valley, CA (US)

(73) **Assignee:** **Westrim, Inc.**, Van Nuys, CA (US)

(**) **Term:** **14 Years**

(21) **Appl. No.:** **29/159,278**

(22) **Filed:** **Apr. 17, 2002**

(51) **LOC (7) Cl.** **03-01**

(52) **U.S. Cl.** **D3/303**

(58) **Field of Search** D3/232, 233, 244,
D3/245, 246, 287, 303, 900; 150/109, 113,
117, 118, 154, 901; 190/103, 109, 111;
383/25, 37, 38, 40; 206/315.1; 224/601,
614; D19/75.86

(56) **References Cited**

U.S. PATENT DOCUMENTS

1,639,005 A * 8/1927 Scheuer 383/25
D283,269 S * 4/1986 Durbin D3/900 X

D314,470 S * 2/1991 Hutchins D3/900 X
D325,469 S * 4/1992 Kim D3/900 X
D336,986 S * 7/1993 Seymour D3/303 X
D405,266 S * 2/1999 Chisholm D3/900 X

* cited by examiner

Primary Examiner—Louis S. Zarfes

Assistant Examiner—Monica A. Weingart

(74) *Attorney, Agent, or Firm*—Kelly Bauersfeld Lowry & Kelley, LLP

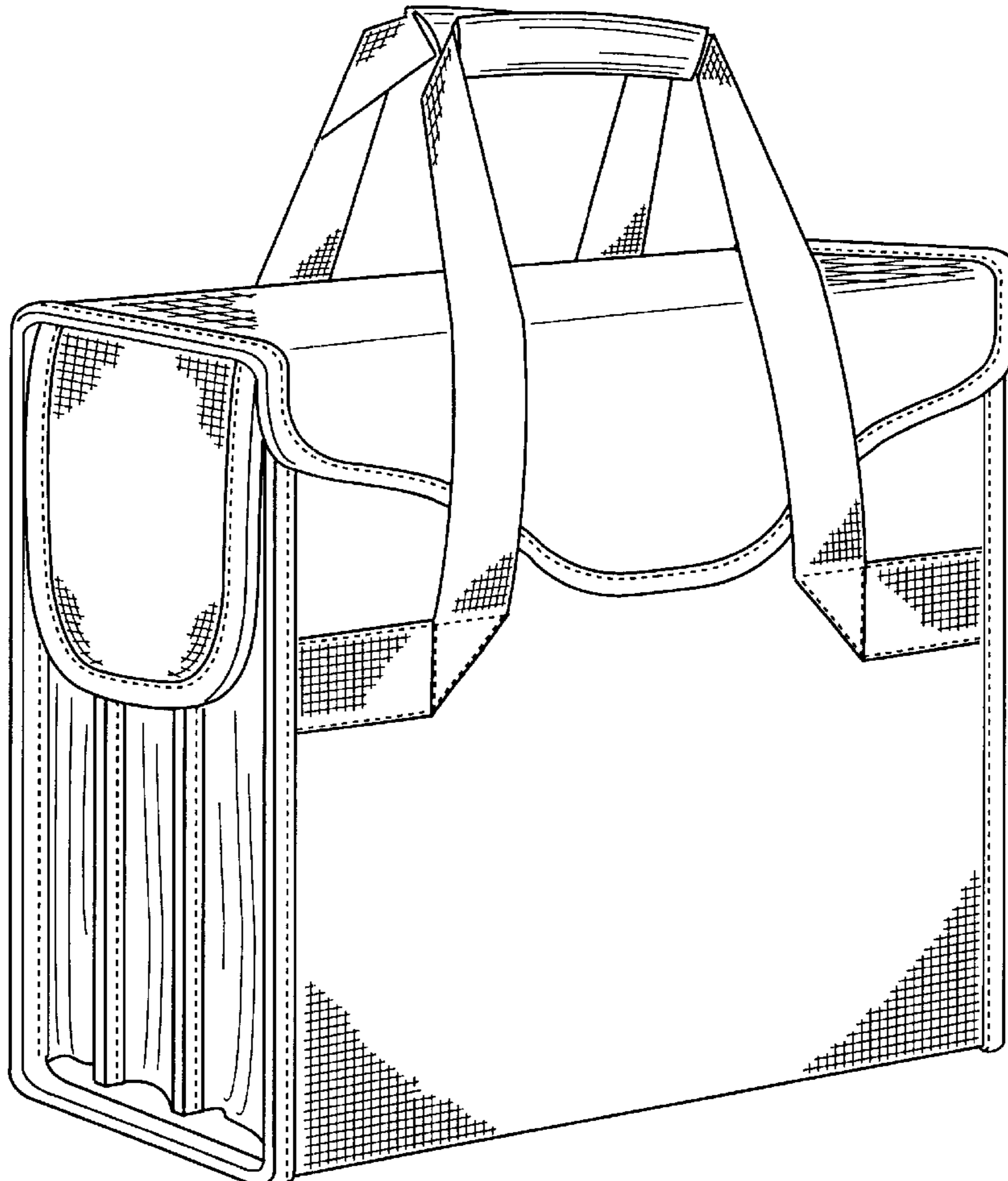
(57) **CLAIM**

The ornamental design for a paper tote/organizer, as shown.

DESCRIPTION

FIG. 1 is a front and side perspective view of a paper tote/organizer embodying my new design;
FIG. 2 is a front elevational view thereof;
FIG. 3 is a rear elevational view thereof;
FIG. 4 is a right side elevational view thereof;
FIG. 5 is a left side elevational view thereof;
FIG. 6 is a top plan view thereof; and,
FIG. 7 is a bottom plan view thereof.

1 Claim, 3 Drawing Sheets



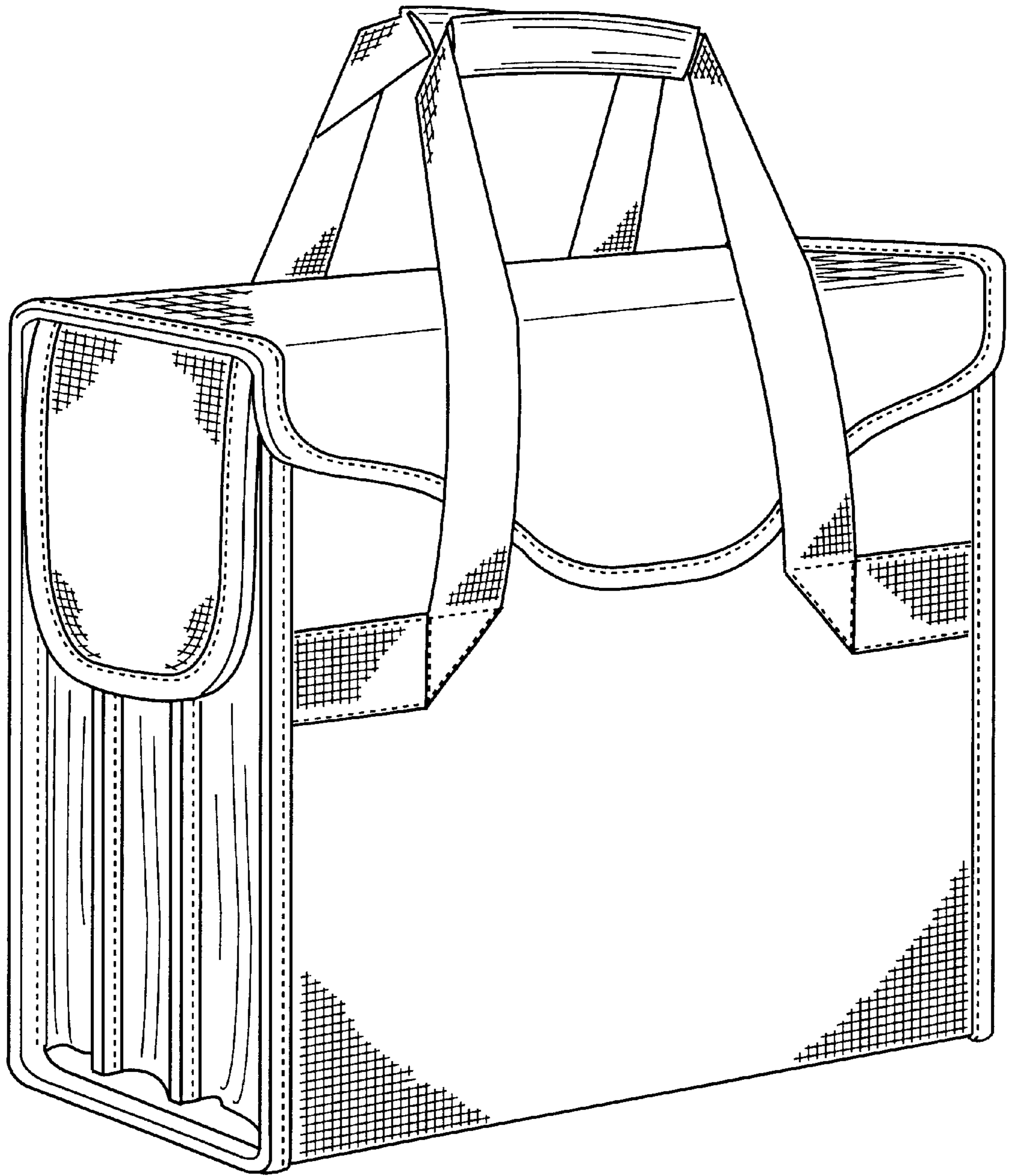


FIG. 1

FIG. 2

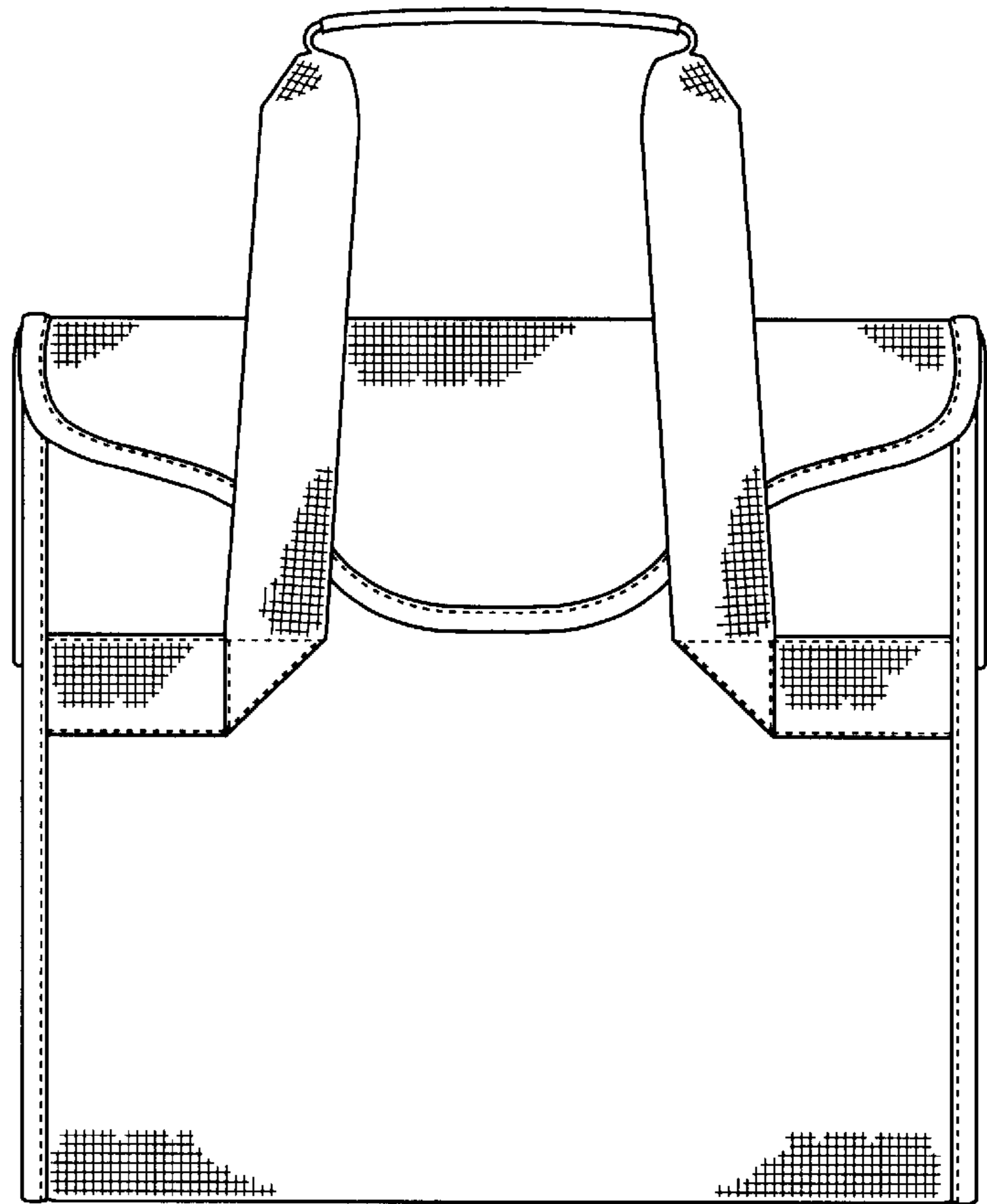
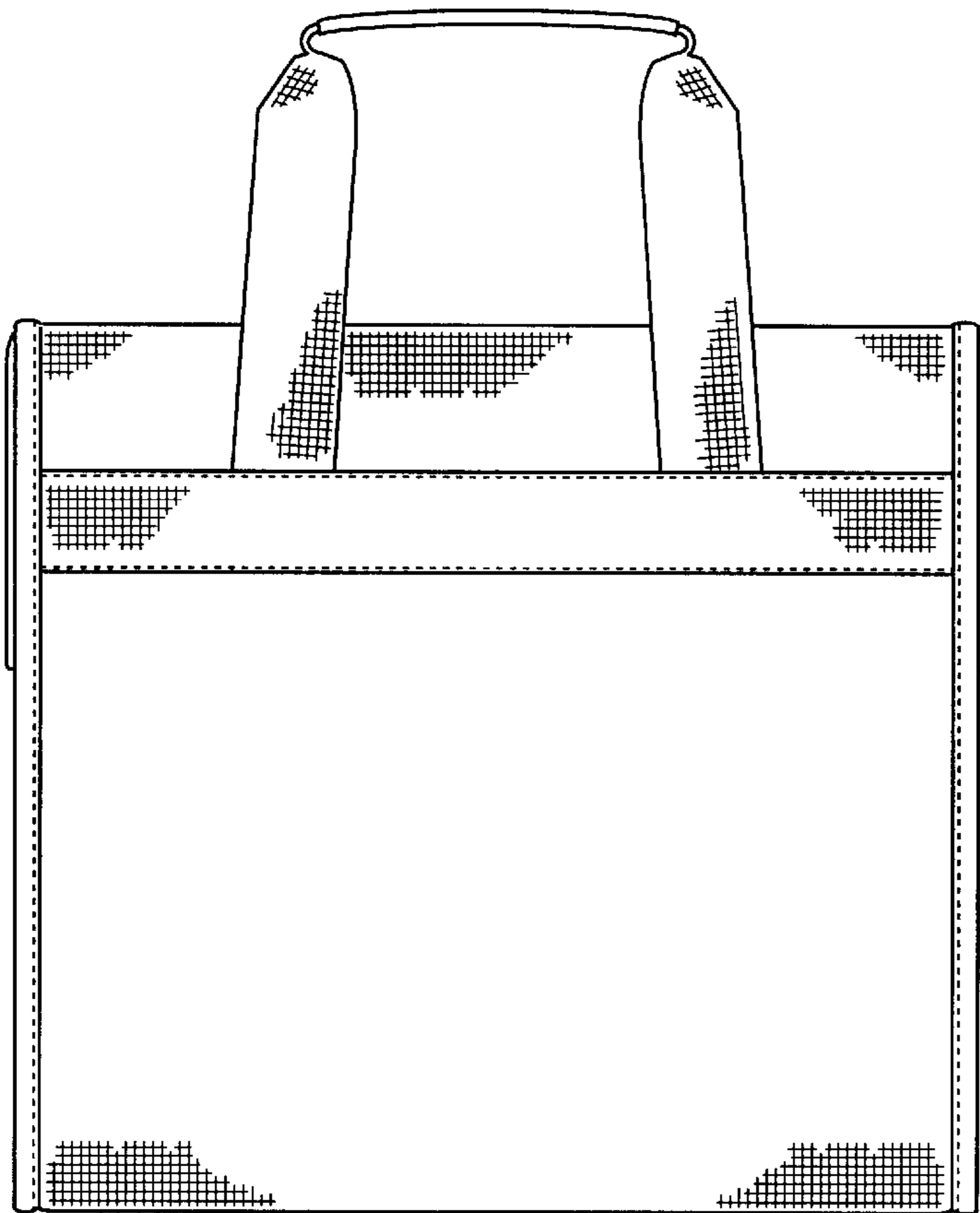


FIG. 3



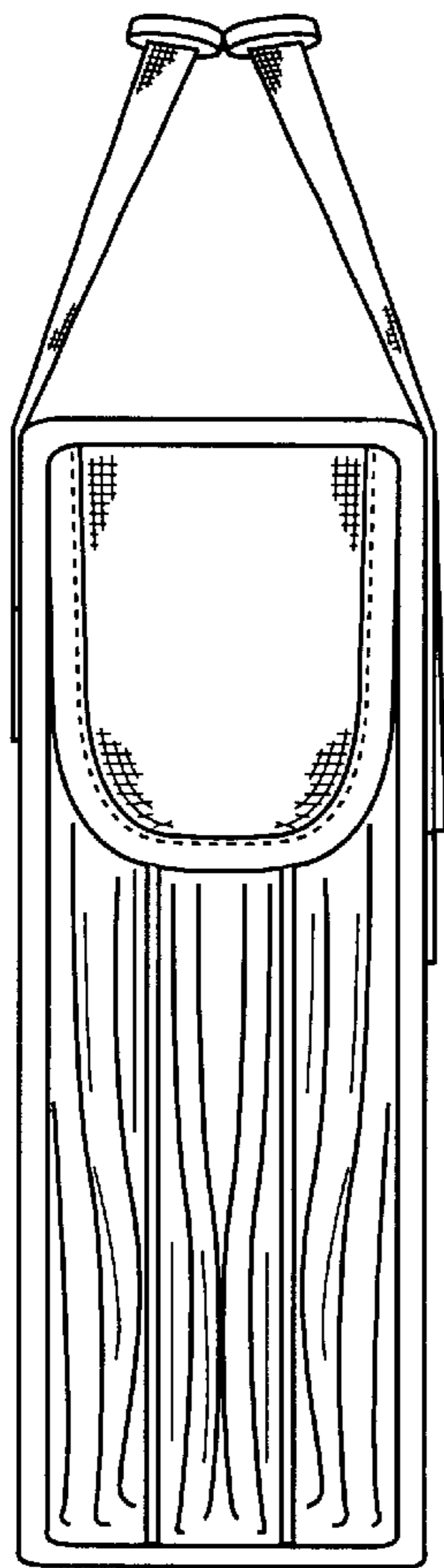


FIG. 4

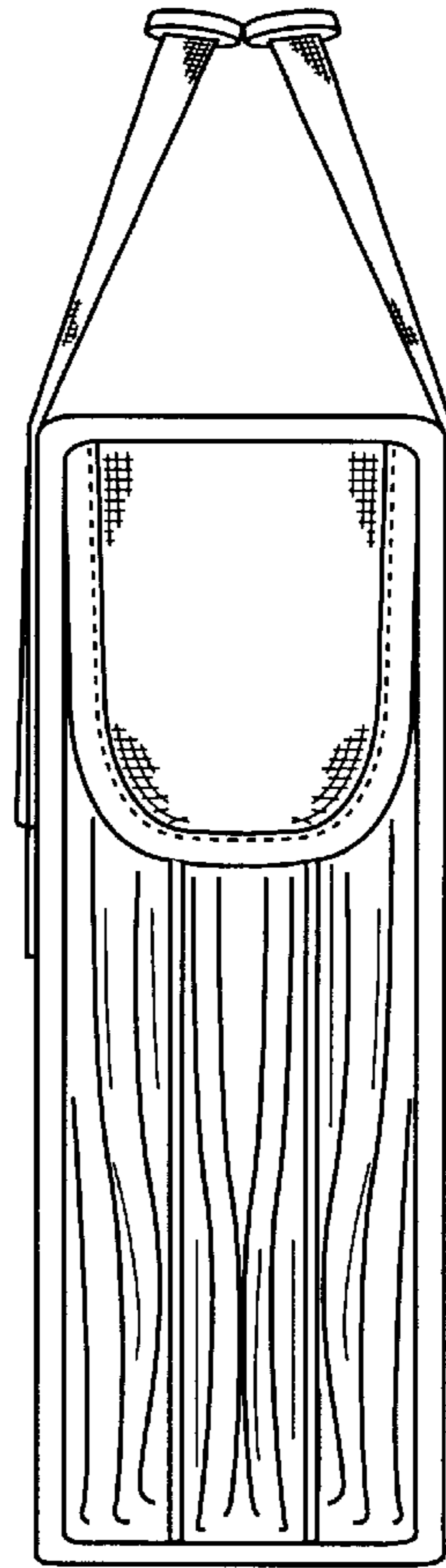


FIG. 5

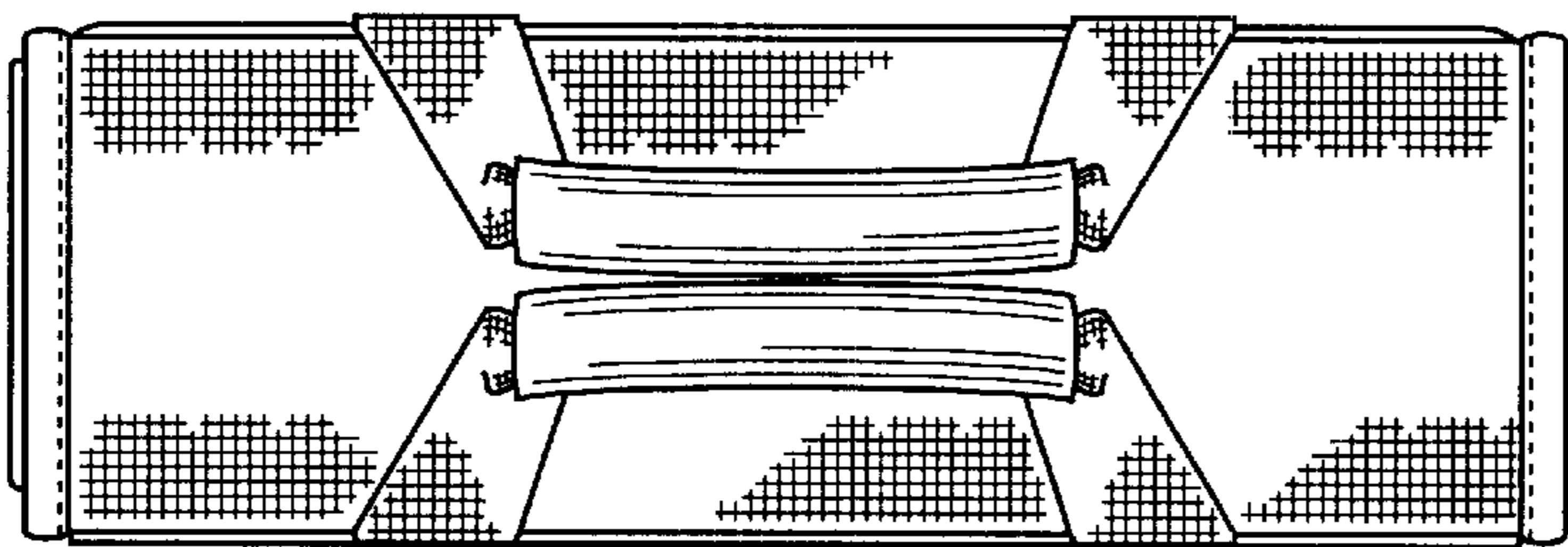


FIG. 6

FIG. 7

