



US00D465647S

(12) **United States Design Patent**
Suzuki

(10) **Patent No.:** **US D465,647 S**

(45) **Date of Patent:** **** Nov. 19, 2002**

(54) **CARRYING CASE**

(75) **Inventor:** **Akio Suzuki, Tokyo (JP)**

(73) **Assignee:** **Sony Corporation, Tokyo (JP)**

(**) **Term:** **14 Years**

(21) **Appl. No.:** **29/149,563**

(22) **Filed:** **Oct. 15, 2001**

(51) **LOC (7) Cl.** **03-01**

(52) **U.S. Cl.** **D3/268; D3/263; D3/267**

(58) **Field of Search** **D3/208, 215, 219, D3/225, 226, 243, 263, 268, 273, 276, 283, 285, 287, 289, 290, 301; D7/607; 206/316.1, 316.2; 224/583, 612, 908**

(56) **References Cited**

U.S. PATENT DOCUMENTS

1,325,372	A	*	12/1919	Penny	
1,513,176	A	*	10/1924	Lyde	
D67,303	S	*	5/1925	Penglase	D3/243
1,925,694	A	*	9/1933	Hawkins	
2,482,248	A	*	9/1949	Coon	
D156,685	S	*	12/1949	Weiss	
D173,869	S	*	1/1955	Crawford	
4,071,066	A	*	1/1978	Schaeffer	206/316.2
D252,959	S	*	9/1979	Lang	D3/268
D264,769	S	*	6/1982	Koszegi	D3/267
D293,977	S	*	2/1988	Ito et al.	D3/219

D298,781	S	*	12/1988	Thomas	D3/208
4,928,819	A	*	5/1990	Jakobsen	206/316.2
D368,581	S	*	4/1996	Cincotta	D3/218
D369,676	S	*	5/1996	Palmer	D3/268
D379,262	S	*	5/1997	Seigel	D3/218
D384,810	S	*	10/1997	Kopel	D3/226
D412,059	S	*	7/1999	White et al.	D3/215
D423,212	S		4/2000	Sakurai et al.	
D446,928	S	*	8/2001	Formica	D3/218
D454,428	S	*	3/2002	Hillman	D3/219
D455,547	S	*	4/2002	Hillman	D3/219

* cited by examiner

Primary Examiner—Celia Murphy

(74) *Attorney, Agent, or Firm*—Rader, Fishman & Grauer PLLC

(57) **CLAIM**

The ornamental design for a carrying case, as shown and described.

DESCRIPTION

FIG. 1 is a perspective view of a carrying case showing my new design;

FIG. 2 is a front elevational view thereof;

FIG. 3 is a rear elevational view thereof;

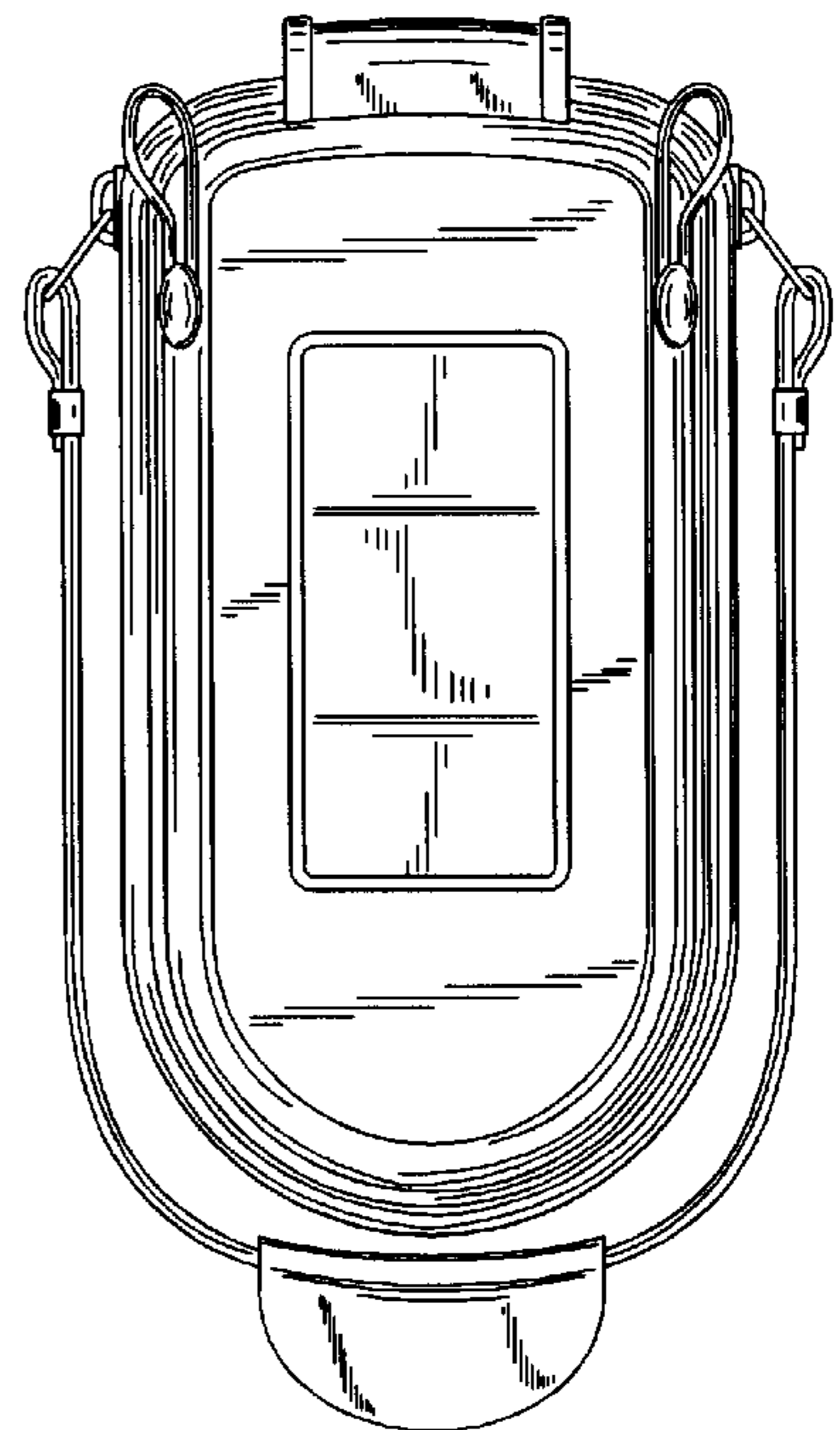
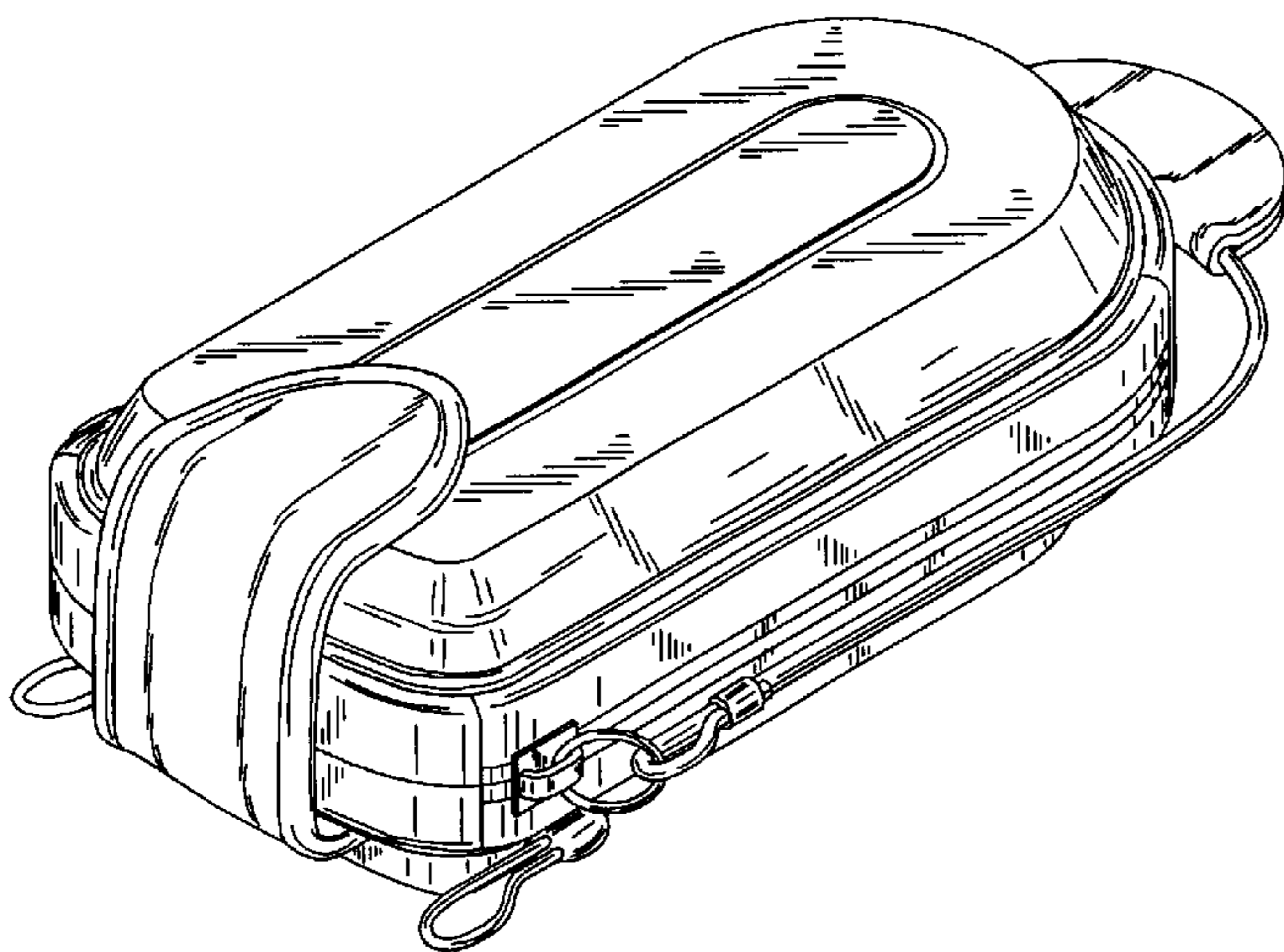
FIG. 4 is a left side elevational view thereof;

FIG. 5 is a right side elevational view thereof;

FIG. 6 is a top plan view thereof; and,

FIG. 7 is a bottom plan view thereof.

1 Claim, 4 Drawing Sheets



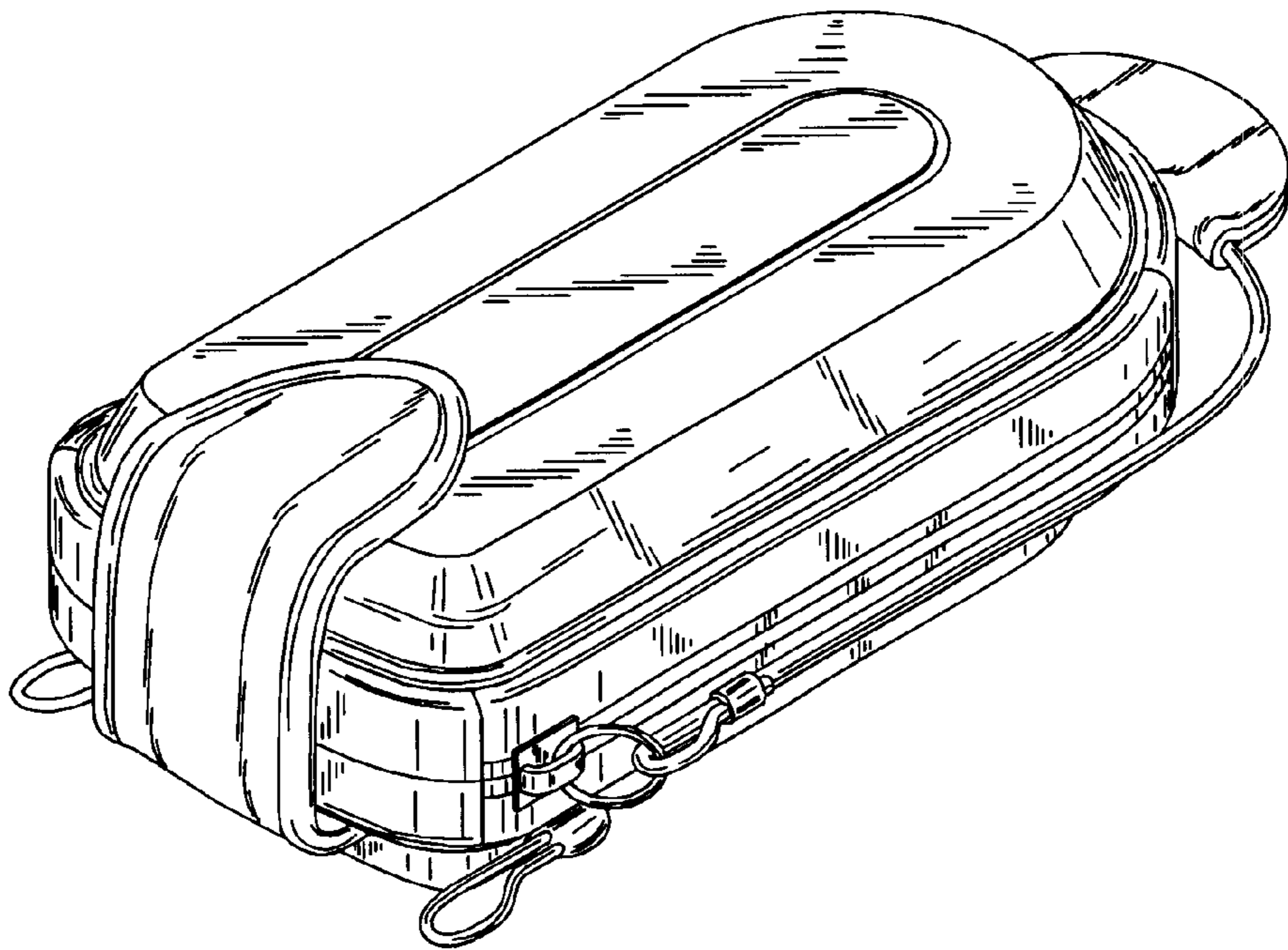


Fig. 1

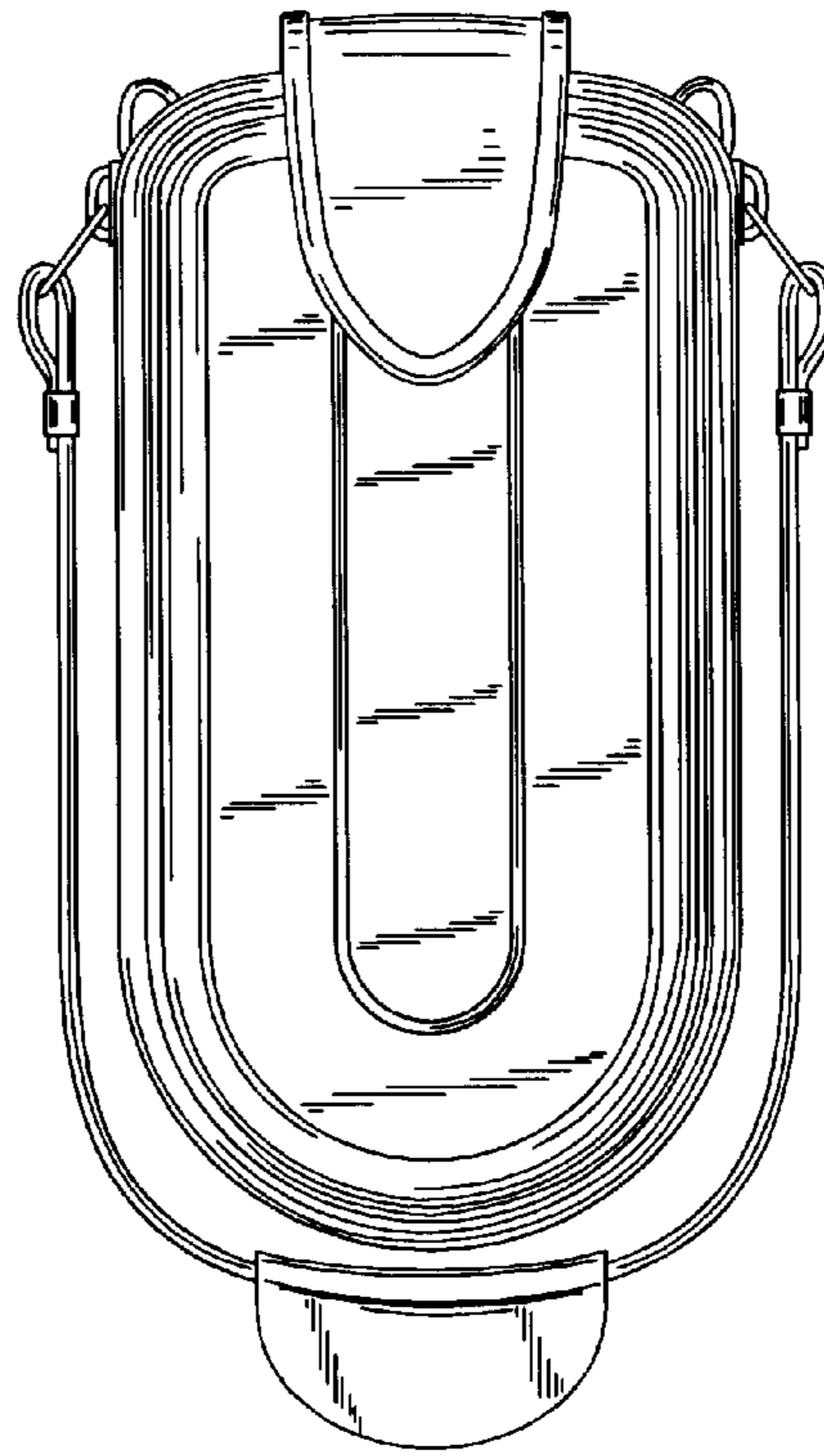


Fig. 2

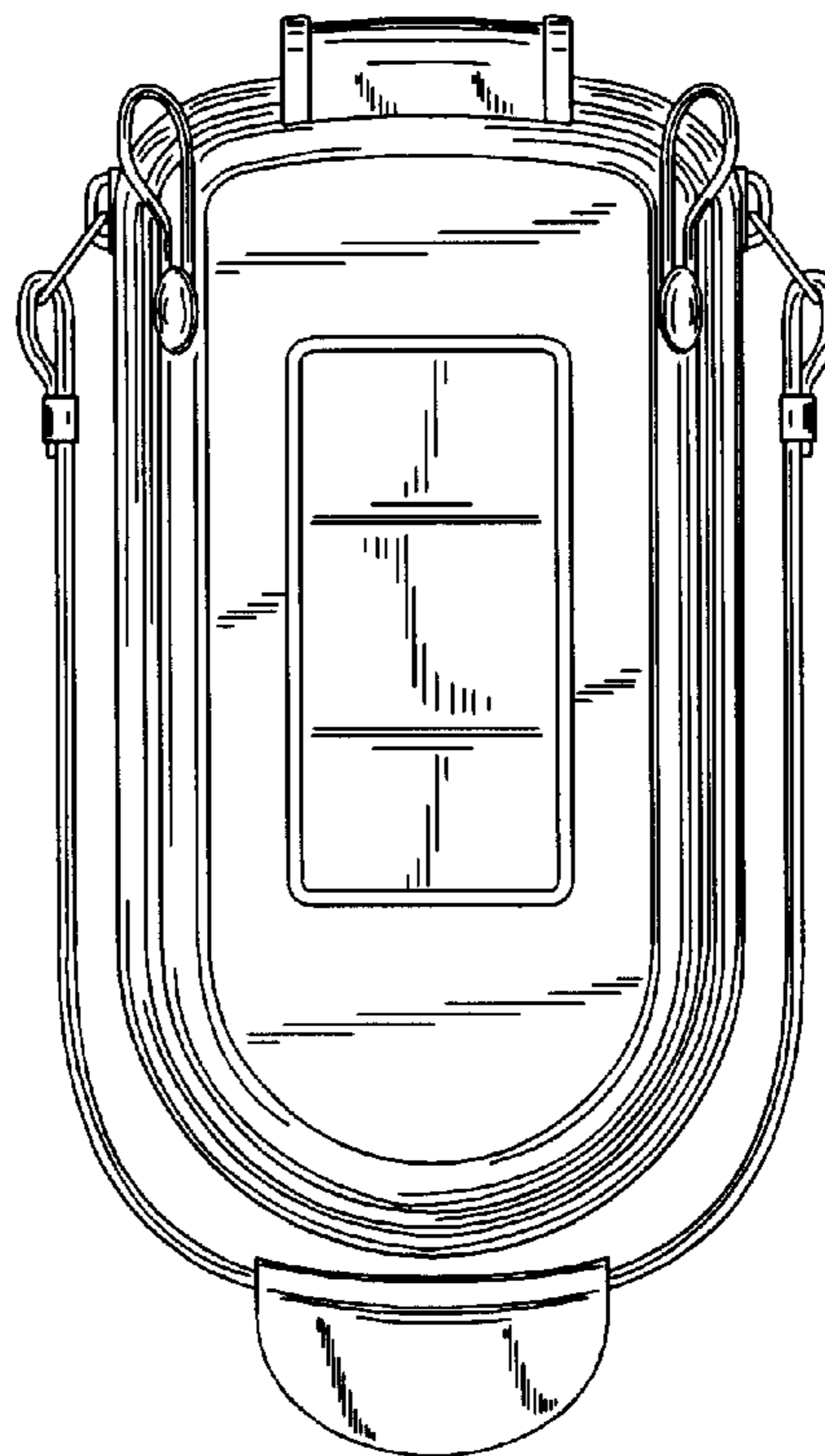


Fig. 3

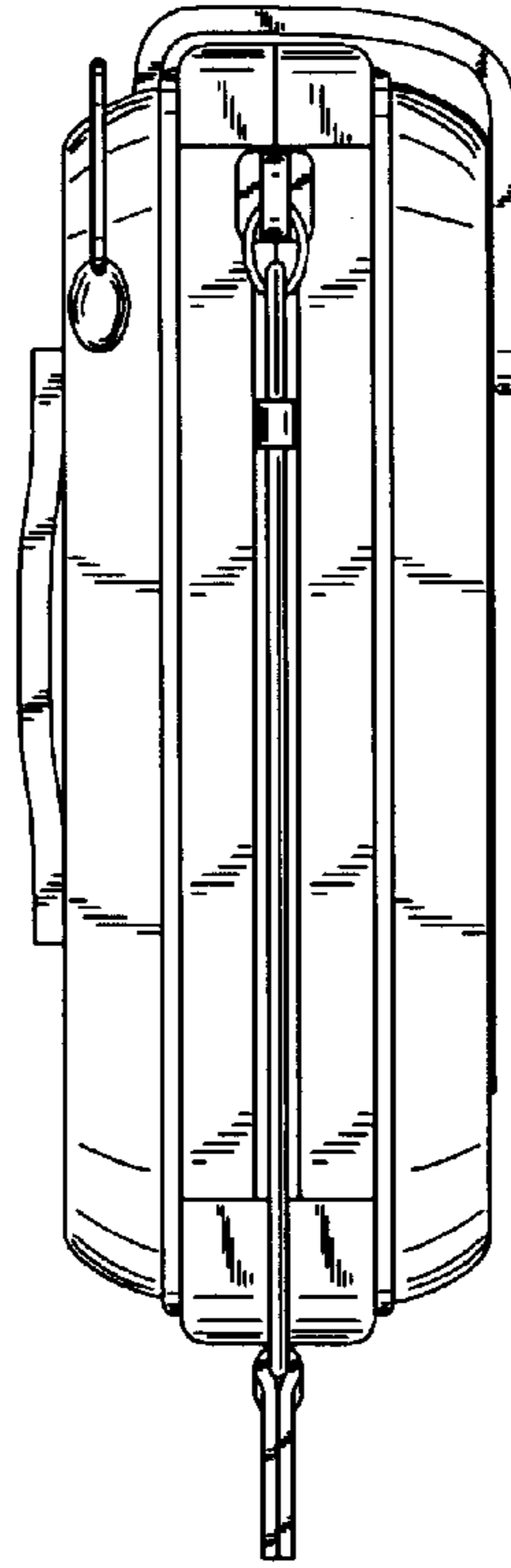


Fig. 4

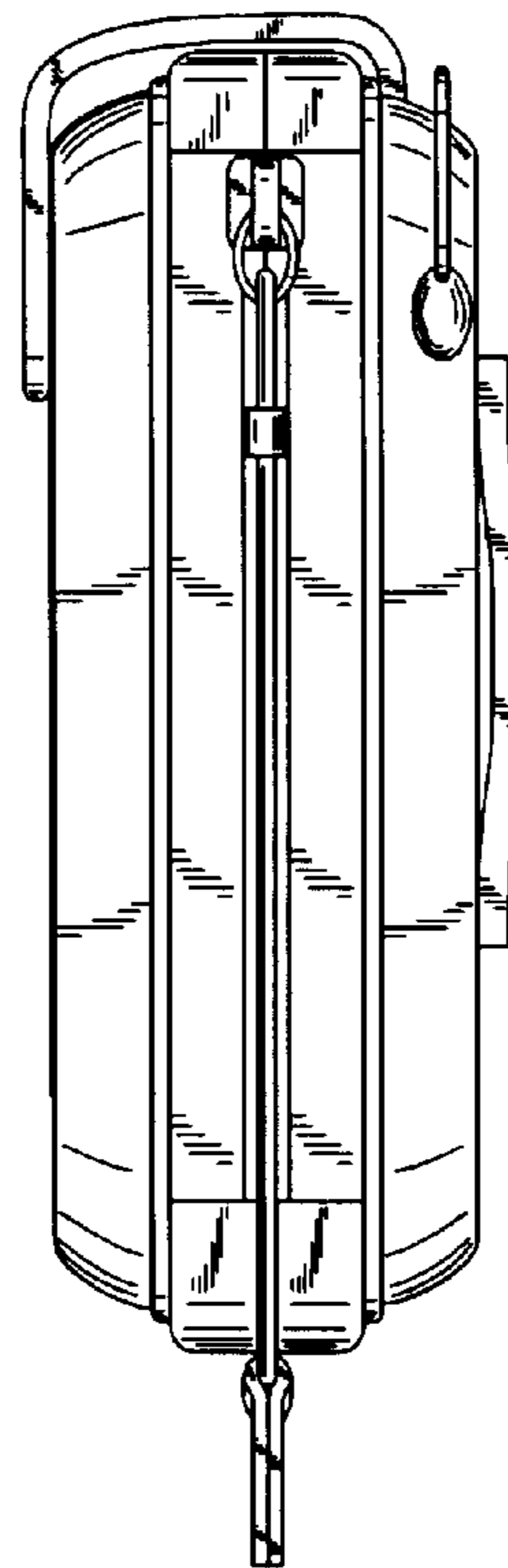


Fig. 5

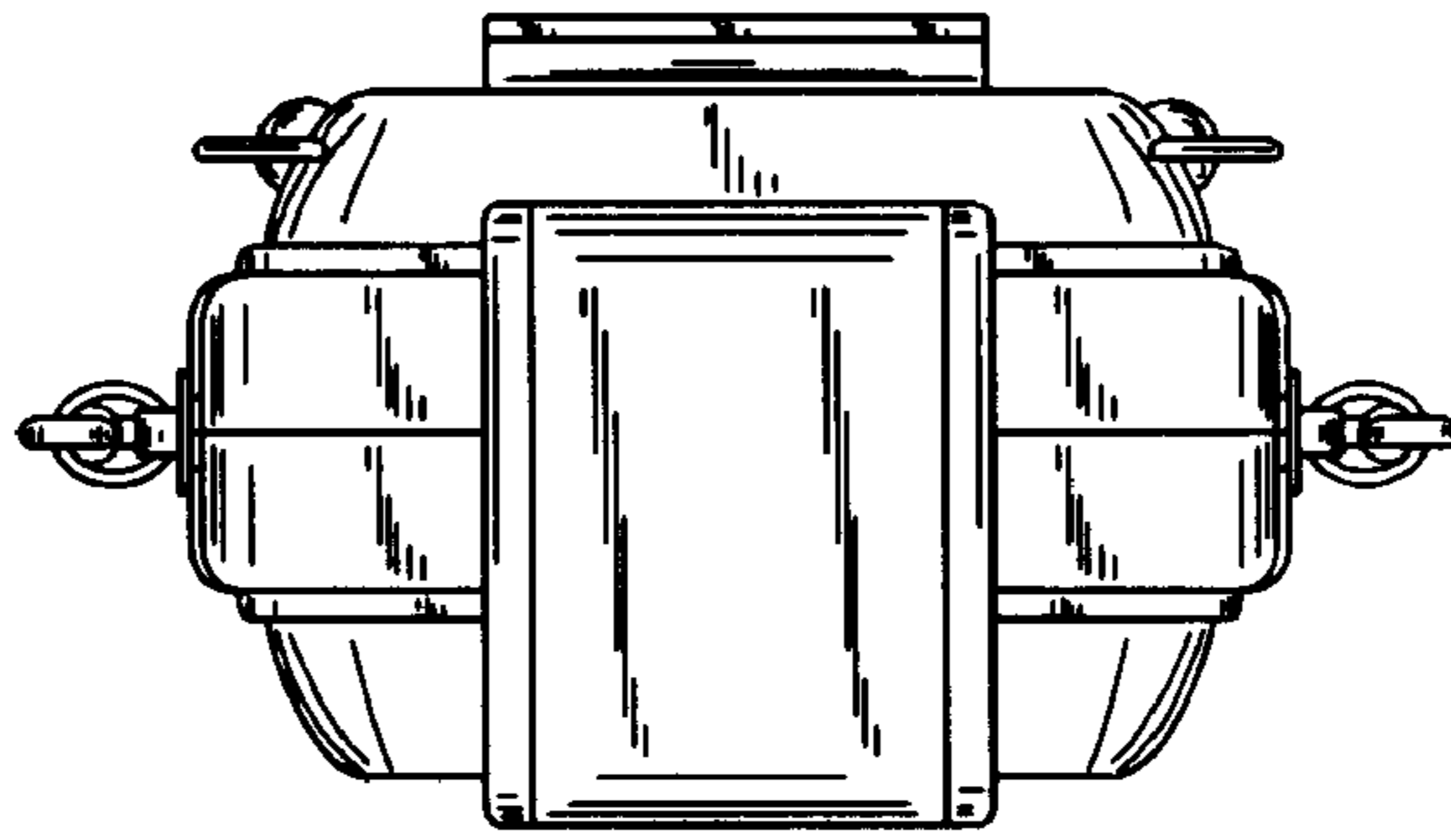


Fig. 6

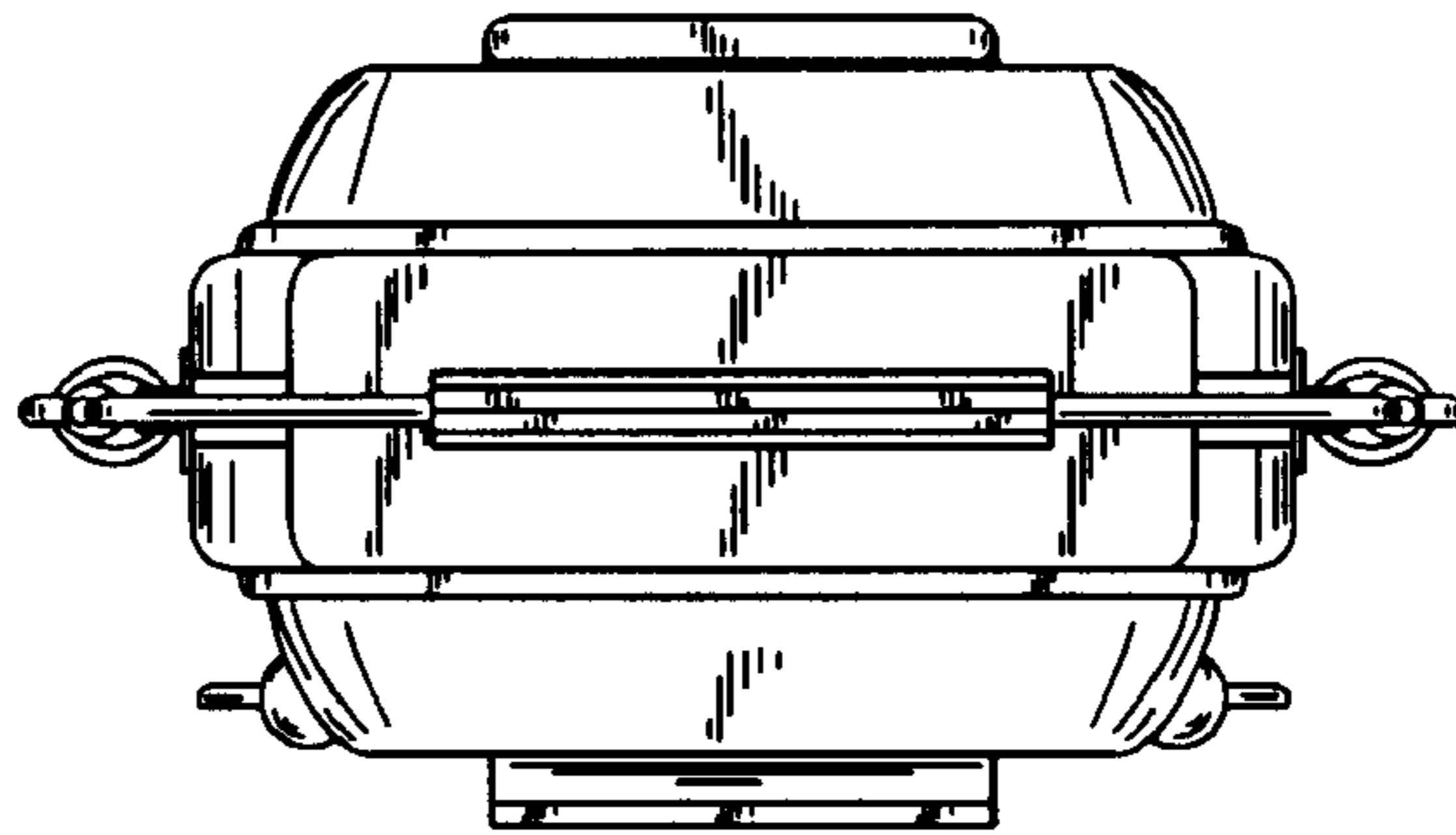


Fig. 7