



US00D465646S

(12) **United States Design Patent**
Hendrickson

(10) **Patent No.:** **US D465,646 S**

(45) **Date of Patent:** **** Nov. 19, 2002**

(54) **ELECTRONIC DEVICE HOLDER**

5,857,600 A * 1/1999 Akutsu 224/183

(76) Inventor: **Gary Hendrickson**, 5235 Satsuma Ave., North Hollywood, CA (US) 91601

* cited by examiner

(**) Term: **14 Years**

Primary Examiner—Louis S. Zarfes

Assistant Examiner—Deanne Levy

(74) *Attorney, Agent, or Firm*—Goldstein & Lavas, P.C.

(21) Appl. No.: **29/139,970**

(57) **CLAIM**

(22) Filed: **Apr. 9, 2001**

The ornamental design for an electronic device holder, as shown and described.

(51) **LOC (7) Cl.** **03-01**

(52) **U.S. Cl.** **D3/218**

(58) **Field of Search** D3/215, 218, 219,
D3/226, 228; 224/182, 191, 197, 677-679,
929

DESCRIPTION

FIG. 1 is a perspective view of an electronic device holder in full lines with a chair and an electronic device shown in broken lines representing environmental association matter being for illustrative purposes only and forming no part of the claimed invention.

FIG. 2 is a front elevational view of the electronic device holder.

FIG. 3 is a rear elevational view thereof.

FIG. 4 is a left side elevational view thereof.

FIG. 5 is a right side elevational view thereof.

FIG. 6 is a top plan view thereof; and,

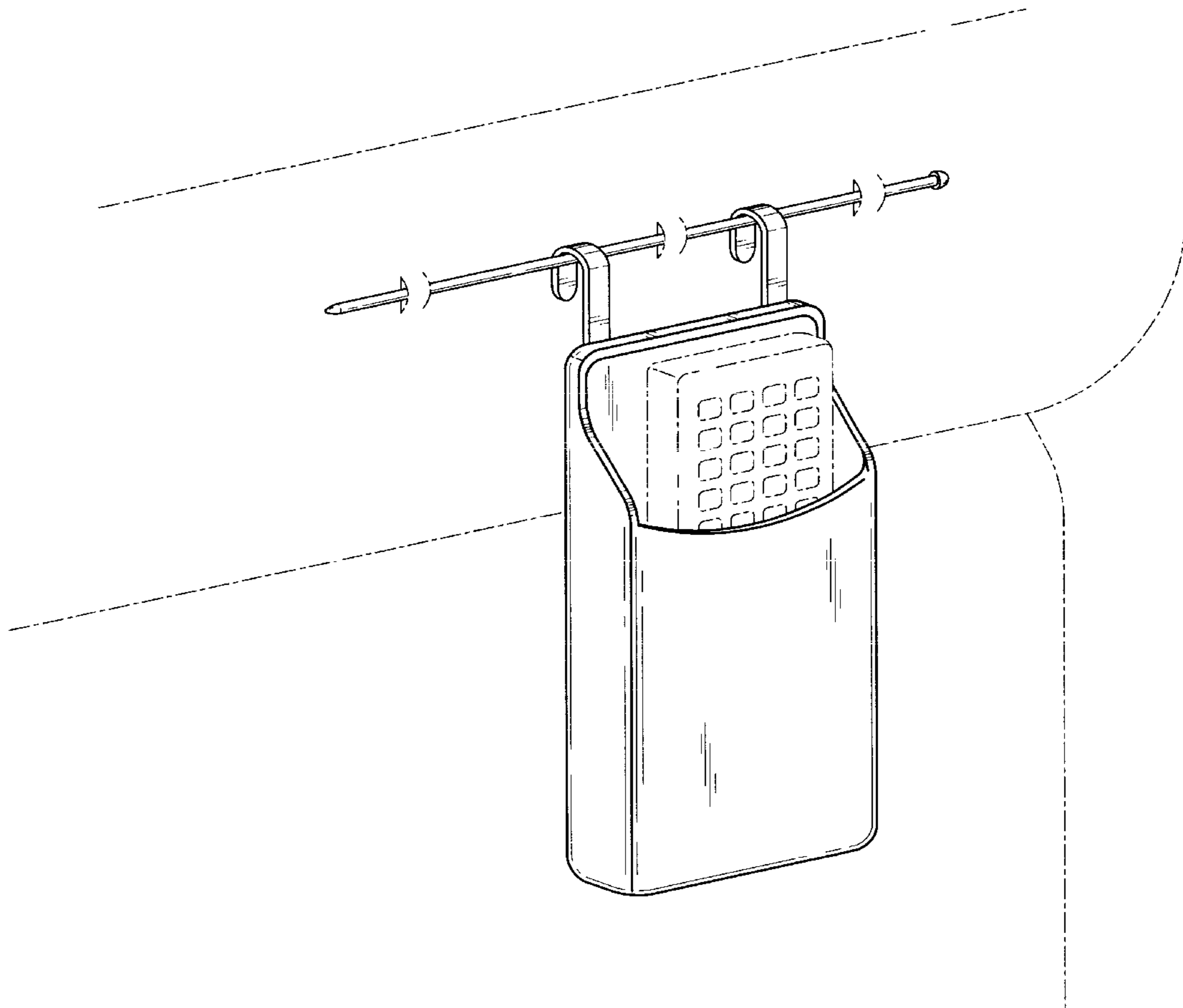
FIG. 7 is a bottom plan view thereof.

(56) **References Cited**

U.S. PATENT DOCUMENTS

872,379 A	*	12/1907	Schulz	224/679
887,479 A	*	5/1908	Jones	224/674
915,206 A	*	3/1909	McCord	224/182
1,201,159 A	*	10/1916	Dettmer	224/674
1,816,049 A	*	7/1931	Larner	206/496
D324,810 S	*	3/1992	Moye, Sr.	D3/218
D368,982 S	*	4/1996	Black	D28/38

1 Claim, 3 Drawing Sheets



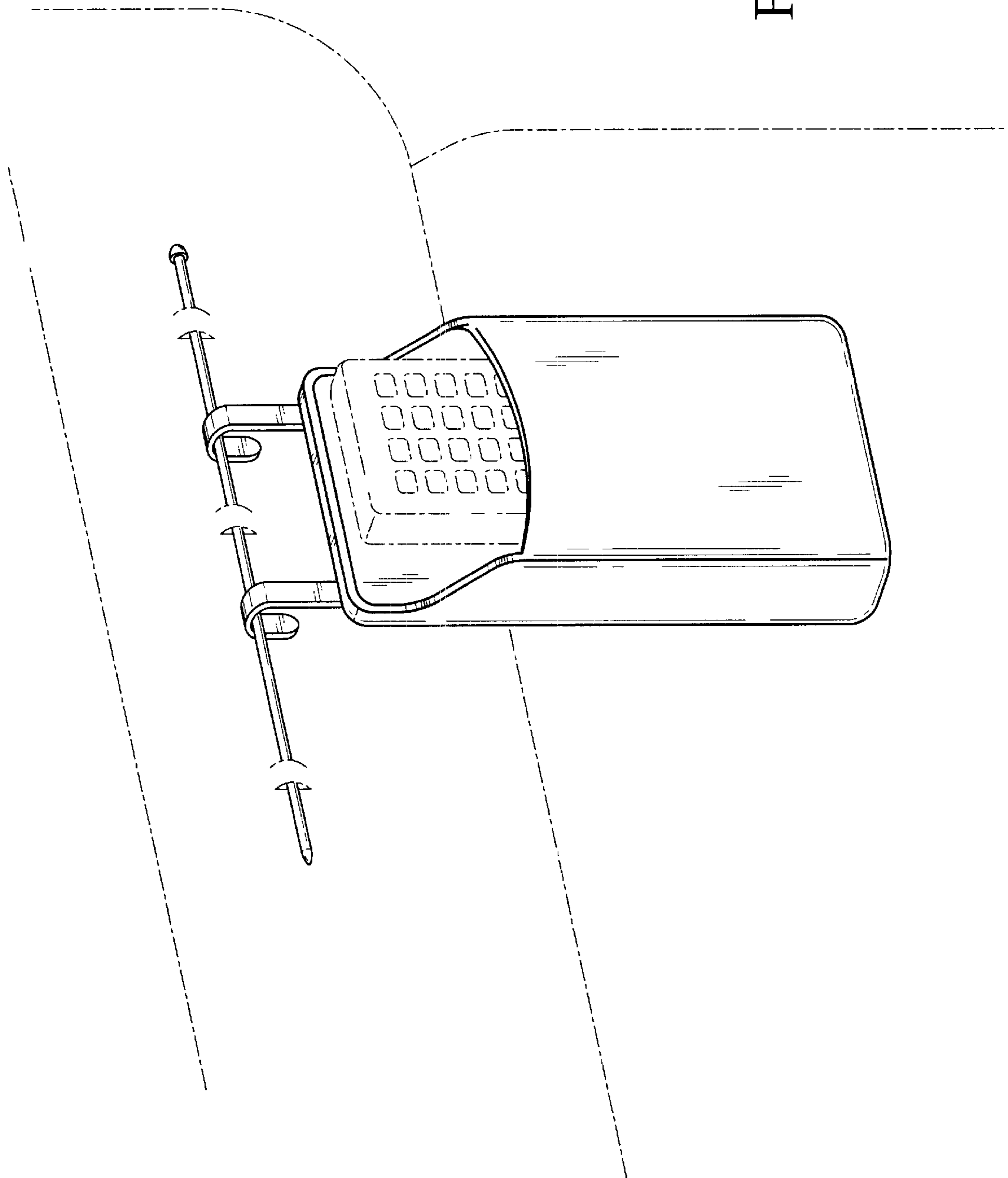


Fig. 1

Fig. 2

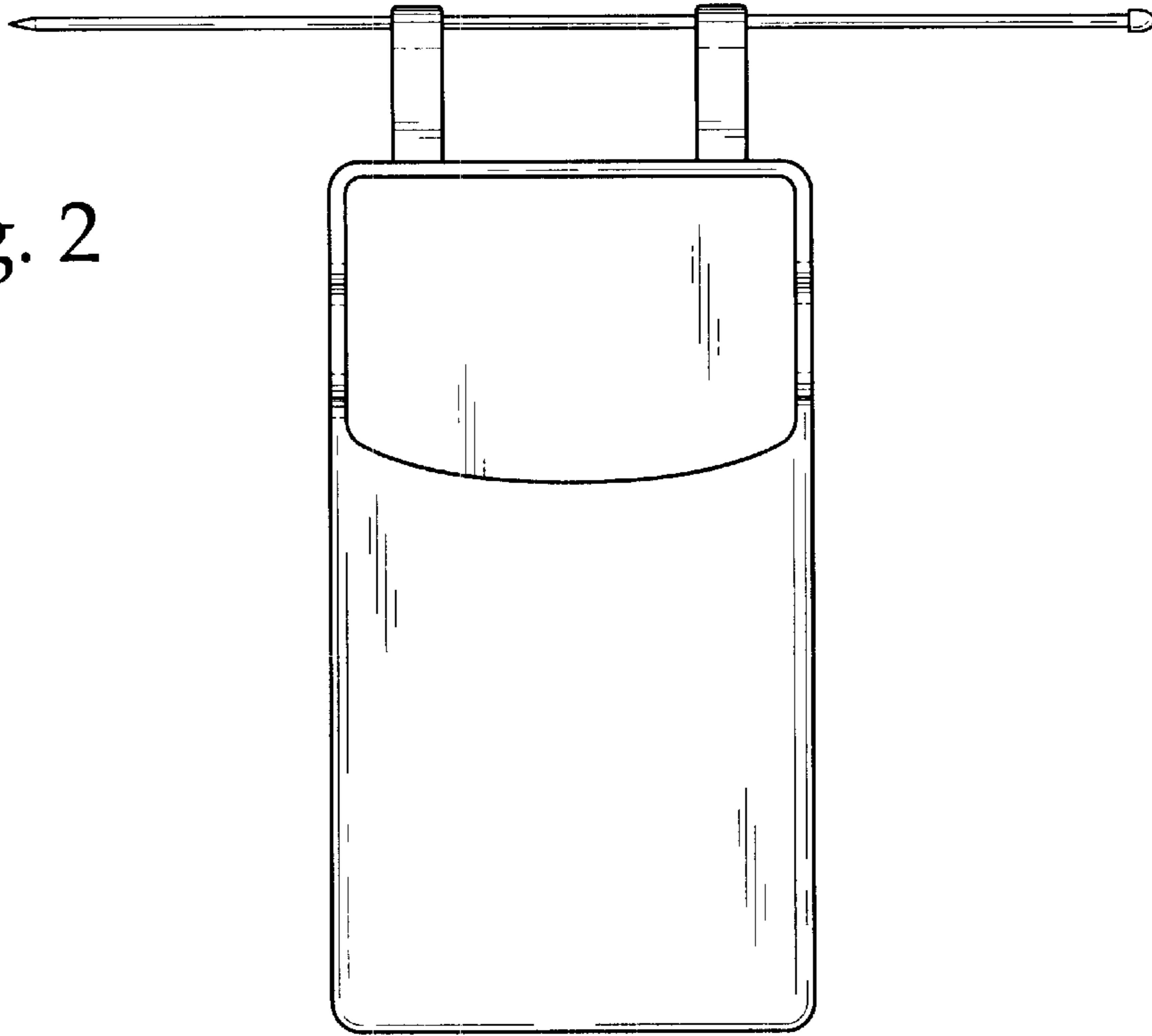


Fig. 3

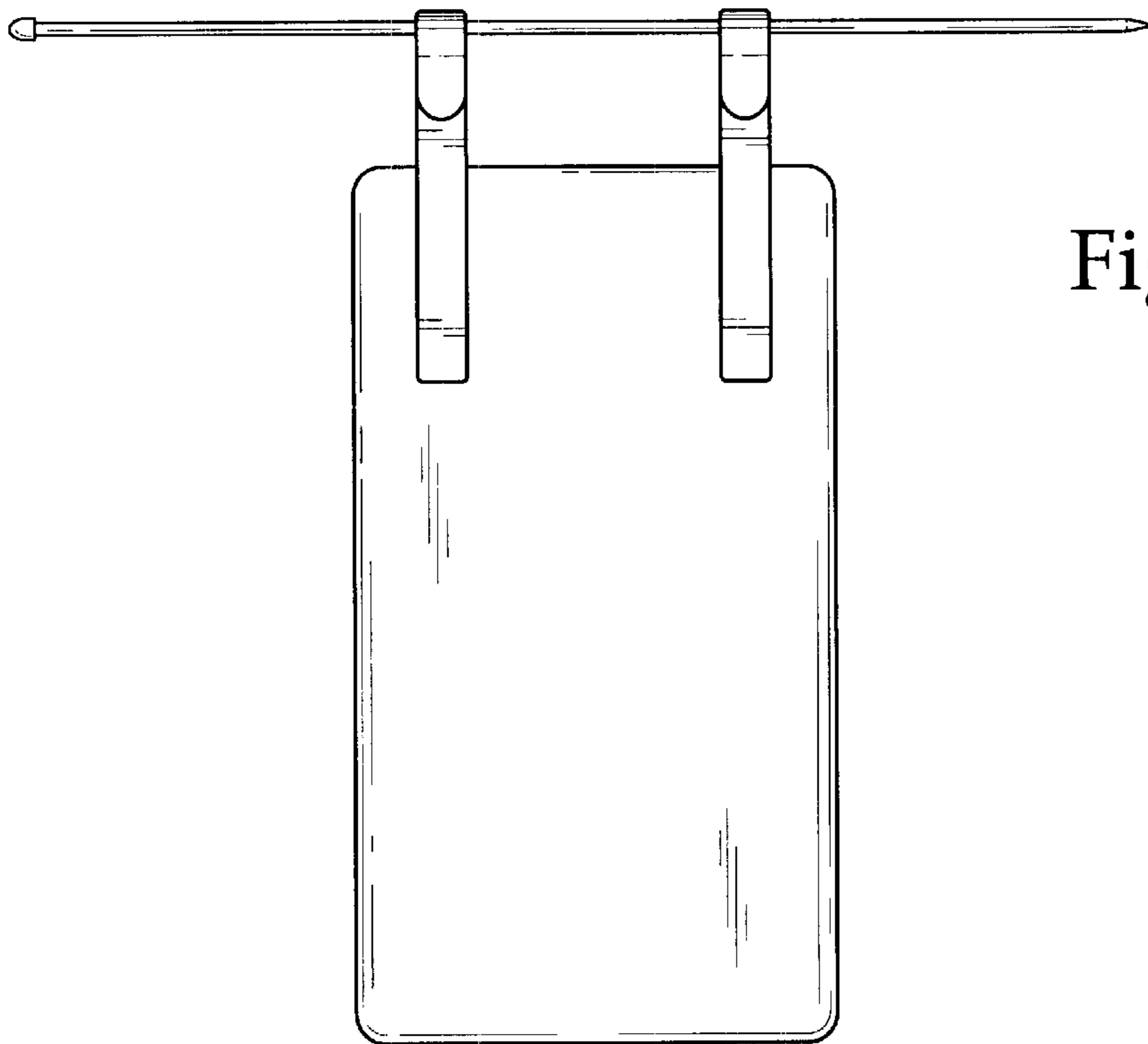


Fig. 4

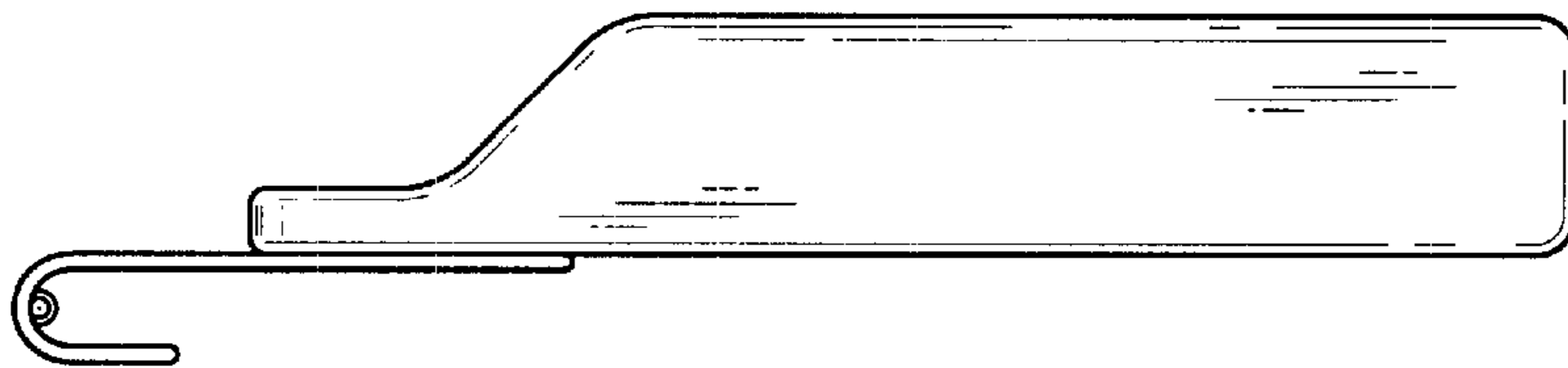


Fig. 5

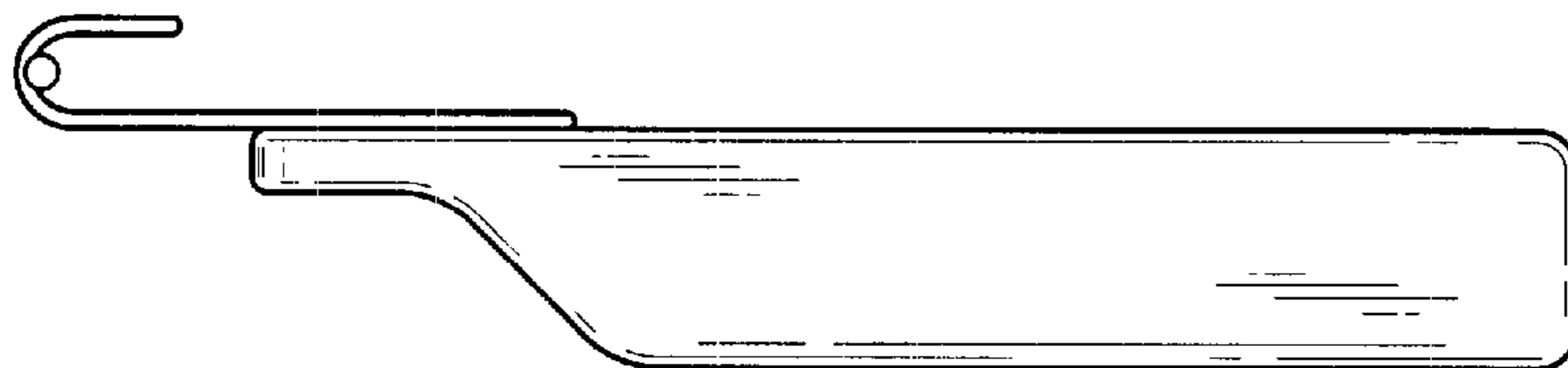


Fig. 6

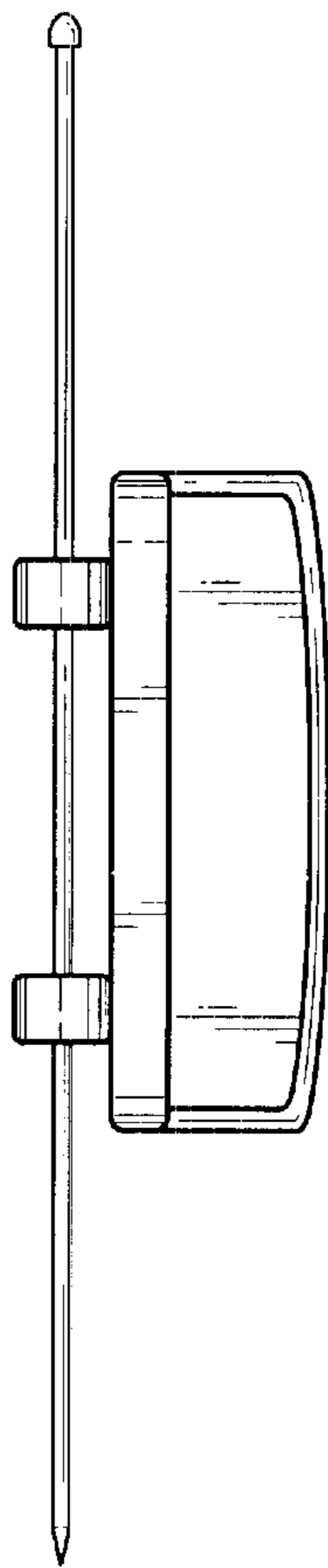


Fig. 7

