

US00D465636S

(12) **United States Design Patent**
Allen et al.

(10) **Patent No.: US D465,636 S**

(45) **Date of Patent: ** Nov. 19, 2002**

(54) **CEREAL BAR HAVING A CEREAL FLAKE INCLUDED THEREON**

(75) Inventors: **Patrick E Allen**, Monticello, MN (US);
Dean F Funk, Brooklyn Park, MN (US); **Dena K Strehlow**, Maple Grove, MN (US)

(73) Assignee: **General Mills, Inc.**, Minneapolis, MN (US)

(**) Term: **14 Years**

(21) Appl. No.: **29/111,594**

(22) Filed: **Sep. 30, 1999**

(51) **LOC (7) Cl. 01-01**

(52) **U.S. Cl. D1/101**

(58) **Field of Search** D1/100, 101, 125-130,
D1/199; 426/92, 104, 559, 560, 618-622,
449, 450, 458

(56) **References Cited**

U.S. PATENT DOCUMENTS

1,890,697 A	12/1932	Scanlan	
1,924,826 A	8/1933	Anderson	99/10
2,131,450 A *	9/1938	McKay	426/621 X
D119,054 S	2/1940	Tolmack	
2,190,949 A *	2/1940	Plems	426/621
2,289,529 A *	7/1942	Thompson	426/621
D193,170 S	7/1962	Porambo	D8/1
D212,070 S	8/1968	Hreschak	D1/2
D213,034 S	12/1968	Slaybaugh	D1/2
3,821,443 A	6/1974	Halladay et al.	426/93
3,903,308 A	9/1975	Ode	426/93
3,917,861 A	11/1975	Viera et al.	426/274
4,038,423 A	7/1977	Hayward et al.	426/72
4,055,669 A	10/1977	Kelly et al.	426/93
D321,580 S	11/1991	Jones	D1/116

D334,274 S	3/1993	Creighton et al.	D1/128
D347,515 S	6/1994	Creighton et al.	D1/128
D354,386 S	1/1995	Smith et al.	D1/125
5,612,074 A	3/1997	Leach	426/74
D379,857 S *	6/1997	Citarella	D1/128
D384,785 S *	10/1997	Laughlin	D1/125 X
5,709,902 A	1/1998	Bartolomei et al.	426/620
D408,960 S	5/1999	Kauffman et al.	D1/125
D409,355 S	5/1999	Citarella et al.	D1/107
5,919,503 A	7/1999	Leusner	426/96
5,935,613 A	8/1999	Benham et al.	425/89
D418,658 S *	1/2000	Hughes et al.	D1/125

FOREIGN PATENT DOCUMENTS

EP	0178074	9/1984	A23L/1/04
EP	0325479	1/1988	A23L/1/164

OTHER PUBLICATIONS

“Packaging Flat for Rice Krispies Treats Crispy Marshmallow Squares”, *KelloGg’s*, 2 pages, (Apr. 1999).

(List continued on next page.)

Primary Examiner—Alan P. Douglas

Assistant Examiner—Linda Brooks

(74) *Attorney, Agent, or Firm*—John A. O’Toole; Douglas J. Taylor; Barbara J. Clark

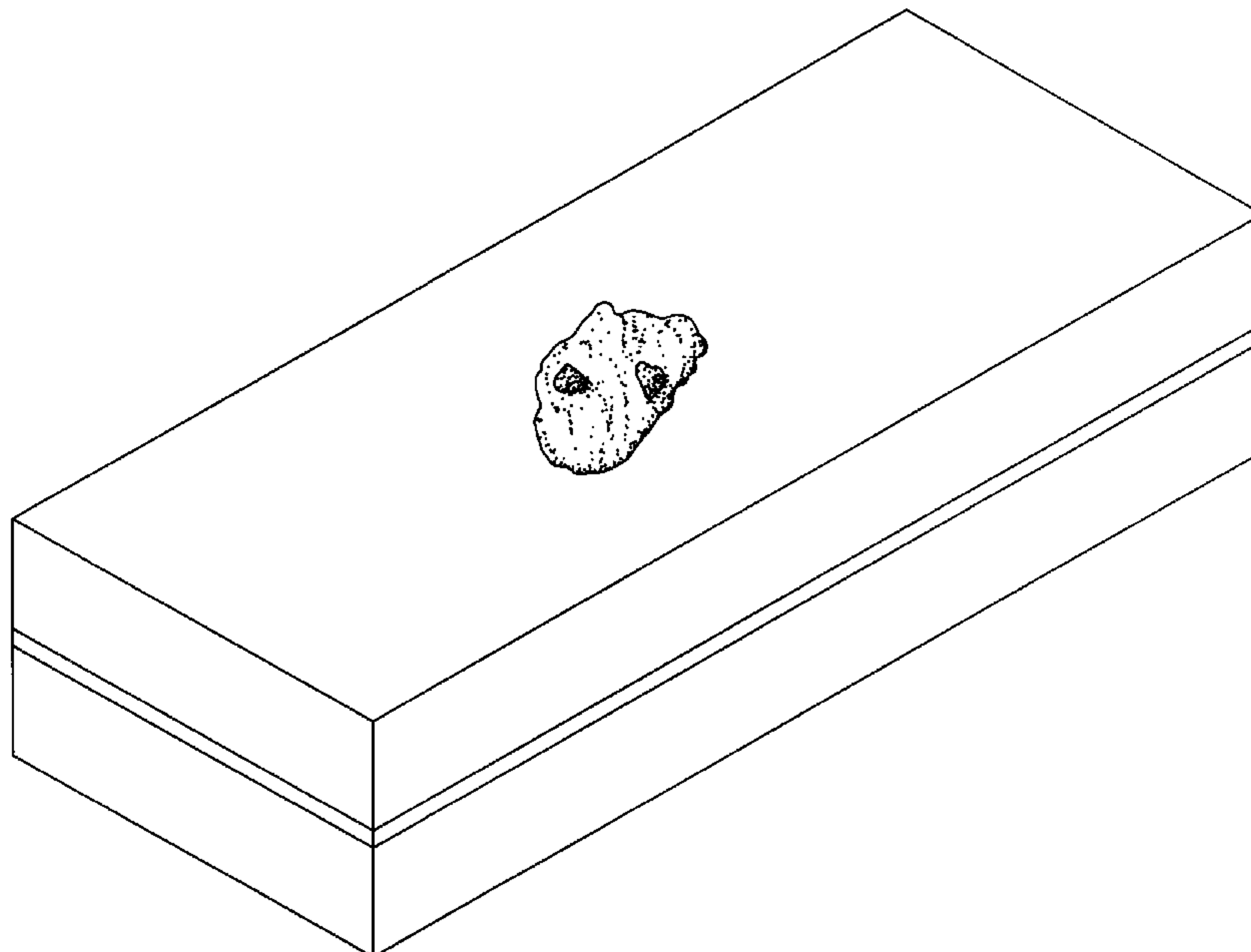
(57) **CLAIM**

The ornamental design for a cereal bar having a cereal flake included thereon, as shown.

DESCRIPTION

FIG. 1 is a perspective view of a cereal bar having a cereal flake included thereon; and, FIG. 2 is an enlarged top plan view of the cereal flake shown in FIG. 1, shown separately for clarity.

1 Claim, 1 Drawing Sheet



OTHER PUBLICATIONS

- “Packaging Flat for smacks Cereal and Milk Bars”, *KelloGg’s*, England, 1 page, (1999).
- “Packaging Flat for Zone Perfect”, *Eicotech Corp.*, 2 pages, (1999).
- “Calif raises the bar”, *Food Processing*, Advertisement, 1 page, (May 1999).
- “Crunchy Nut (Australia) (Corn Flake Cereal Bars)”, *Kellogg’s*, 2 pages, (Feb. 1998).
- “Nutri Grain Twists”, *Kellogg’s*, 2 pages, (Oct. 1998).
- “Packaging Label for Balance”, *Bio-Foods*, 2 pages, (1994).
- “Packaging Label for Balance Outdoor”, *Balance Bar*, 1 page, (Jul. 1999).
- “Packaging Label for Boost”, *Mead Johnson*, 1 pages, (Feb. 1998).
- “Packaging Label for Breakfast Bars”, *Hain Pure Foods*, 2 pages, (Jun. 1997).
- “Packaging Label for Breakfast Squares”, *General Mills*, 2 pages, (Apr. 1970).
- “Packaging Label for Breakthru Nutrition Bar”, *Glenn Foods*, 1 page, (Mar. 1998).
- “Packaging Label for Cap’n Crunch Treats”, *Quaker*, 2 pages, (Mar. 1997).
- “Packaging Label for Carnation Instant Breakfast Bars”, *Nestle*, 2 pages, (prior to 1997).
- “Packaging Label for Chewy Granola Bars”, *Quaker*, 2 pages, (Jan. 1990).
- “Packaging Label for Clif Bar”, *Kali’s SportsNaturals*, 1 page, (Sep. 1991).
- “Packaging Label for Clif Kicks Bar”, *Kali’s SportsNaturals*, 2 pages, (Jul. 1997).
- “Packaging label for Coco Pops Cereal & Milk Bars”, *Kellogg’s*, 1 page, (1999).
- “Packaging Label for Corny Snack Bars”, *Schwartau*, 2 pages, (Nov. 1999).
- “Packaging Label for Diet Fuel”, *Twin Lab*, 1 page, (Jul. 1998).
- “Packaging Label for Edge Bar”, *Nutritional N–Er–G Products*, 2 pages, (Jul. 1991).
- “Packaging label for Frosties Cereal & Milk Bars”, *Kellogg’s*, 2 pages, (1999).
- “Packaging Label for Fruit and Oatmeal”, *Quaker*, 2 pages, (May 1997).
- “Packaging Label for Glenny’s Chocolate Crunch”, *Glenn Foods*, 1 page, (Jan. 1996).
- “Packaging Label for Golden Grahams Treats”, *General Mills*, 3 pages, (Oct. 1996).
- “Packaging Label for Golf Pro Nutrition Bar”, 1 page, (Nov. 1993).
- “Packaging Label for Healthy Cheesecake Bars”, *Health Valley*, 1 page, (Jan. 1995).
- “Packaging Label for Hoffman’s Energy Bar”, *York Barbell*, 1 page, (Nov. 1997).
- “Packaging Label for Just Right Cereal Bars (Australia)”, *Kellogg’s*, 2 pages, (Feb. 1998).
- “Packaging Label for Kudos”, *Mars*, 2 pages, (Oct. 1989).
- “Packaging Label for Kushi Cuisine Crispy Rice Bars”, *Kushi Macrobiotics*, 1 page, (Jan. 1996).
- “Packaging Label for Luna Chocolate Pecan Pie”, *Clifbar*, 1 page, (Mar. 1999).
- “Packaging Label for Meal Pack”, *Bear Valley Foods*, 2 pages, (Sep. 1980).
- “Packaging Label for MET–Rx Food Bar”, *MET–Rx Substrate Technology*, 1 page, (Sep. 1992).
- “Packaging Label for Nature’s Choice Natural Delight Yogurt Dipped Desserts”, *Barbara’s Bakery*, 2 pages, (Jul. 1999).
- “Packaging Label for Nesquik Biscuit Sticks”, *Nestle*, 2 pages, (Sep. 1999).
- “Packaging Label for Nutri Grain”, *Kellogg’s*, 2 pages, (Mar. 1991).
- “Packaging label for Nutri–Grain Twists”, *Kellogg’s*, Forest Fruits and Yogurt, 1 page, (1998).
- “Packaging Label for Oatmeal Creme Bar Chewy Whole Grain Snack Bar”, *Starbucks*, 1 page, (Dec. 1998).
- “Packaging Label for Power Bar”, *Powerfood*, 1 page, (Jun. 1991).
- “Packaging Label for Pro Tour”, *Barbara’s Bakery*, 1 page, (Jan. 1996).
- “Packaging Label for Prozone”, *NutriBiotic*, 1 page, (Aug. 1996).
- “Packaging Label for Rice Cake Sandwich Choco and Cheese”, *Granco*, 4 pages, (Jul. 1999).
- “Packaging Label for Rice Krispies Treats Chocolate Chip”, *Kellogg’s*, 2 pages, (May 1997).
- “Packaging Label for Rice Krispies Treats Cocoa Crispy Marshmallow Squares”, *Kellogg’s*, 1 Page, (Apr. 1999).
- “Packaging Label for Rice Krispies Treats Peanut Butter Chocolate”, *Kellogg’s*, 3 pages, (Apr. 1999).
- “Packaging Label for Shaqbar”, *Amway*, 2 pages, (Oct. 1995).
- “Packaging Label for Snackwell’s Hearty Fruit’n Grain Cereal Bars”, *Nabisco*, 1 page, (prior to 1999).
- “Packaging Label for Source Bar”, *Empowered Athletics*, 1 page, (Aug. 1996).
- “Packaging Label for Stoker Energy Bar”, *BTU Stoker*, 1 page, (May 1994).
- “Packaging Label for Sustain Cereal Bars (Australia)”, *Kellogg’s*, 2 pages, (Feb. 1998).
- “Packaging label for Think Interactive Bar”, *Personal Health Development*, 4 pages, (Jan. 1996).
- “Packaging Label for Trek Barr”, *Mountain Biscuit*, 1 page, (Feb. 1997).
- “Packaging Label for Whole Grain Bars”, *Earth’s Best*, 2 pages, (May 1996).
- “Packing Label for New Yorker Breakfast Bar”, *Renshaw Scott Ltd.* (England), 2 pages, (Jul. 1999).
- “Packing Label for Oreo Granola Bars”, *Nabisco*, 2 pages, (Mar. 1994).
- “Packaging Label for Snack well’s Cereal Bars”, *Nabisco*, 2 pages, (Jun. 1996).
- “Power Bark for Find.”, *Food Processing*, Advertisement, 1 page, (May 1999).

* cited by examiner

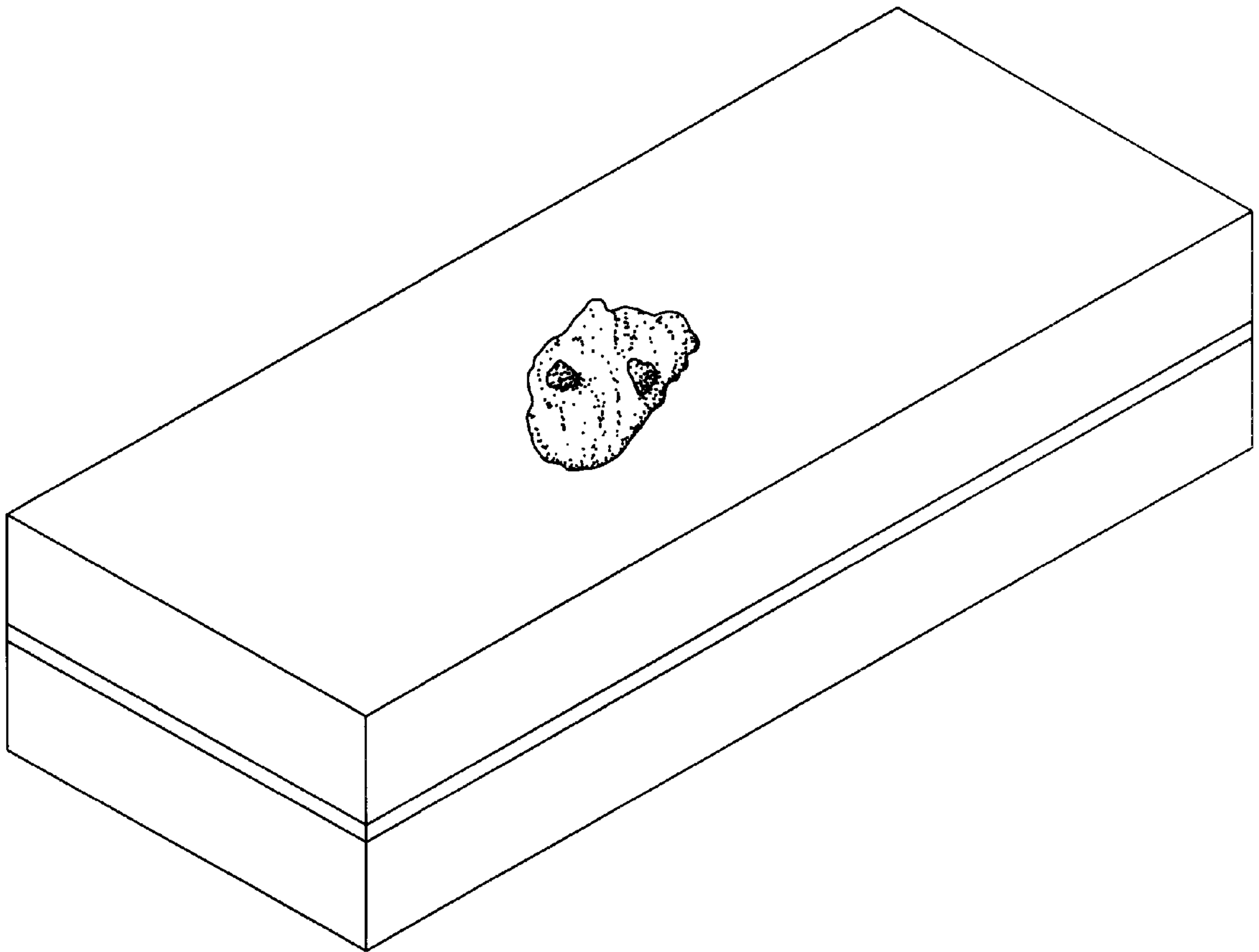


FIG. 1

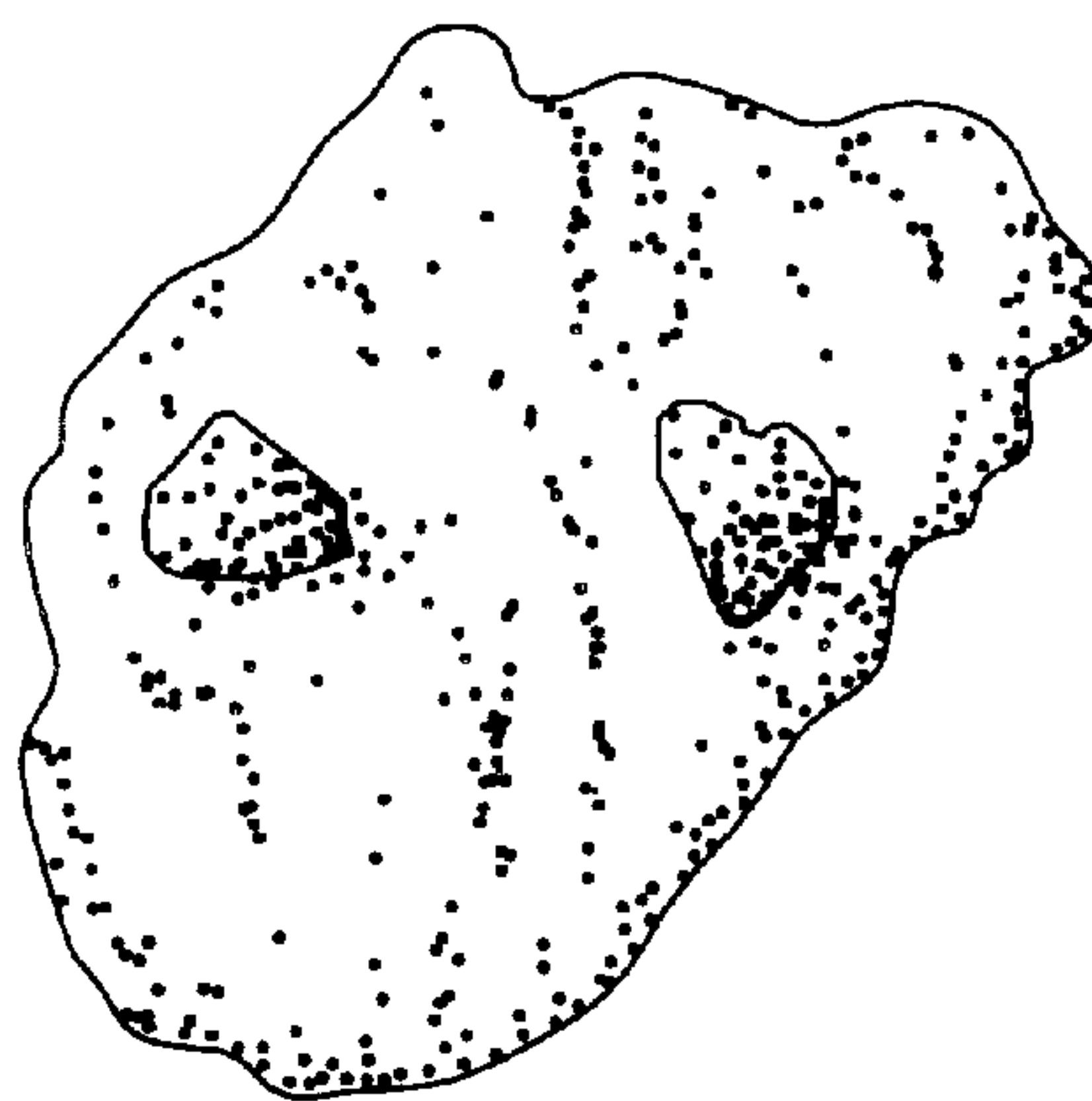


FIG. 2

UNITED STATES PATENT AND TRADEMARK OFFICE
CERTIFICATE OF CORRECTION

PATENT NO. : Des. 465,636 S
DATED : November 19, 2002
INVENTOR(S) : Allen et al.

Page 1 of 1

It is certified that error appears in the above-identified patent and that said Letters Patent is hereby corrected as shown below:

Title page,

Item [56], U.S. PATENT DOCUMENTS, delete

“2,190,949 A * 2/1940 Plems 426/621” and insert

-- 2,190,949 A 2/1940 Plews 99/82, -- therefor.

OTHER PUBLICATIONS,

“Packaging Flat for smacks Cereal and Milk Bars” reference, delete “KelloGg’s” and insert -- Kellogg’s --, therefor; delete “smacks” and insert -- Smacks -- therefor; and delete “KelloGg’s” and insert -- Kellogg’s --, therefor.

“Calif raises the bar” reference, delete “Calif” and insert -- Clif --, therefor.

“Crunchy Nut (Australia) Corn Flake Cereal Bars)” reference, insert -- Packaging Label for -- before “Crunchy”.

“Nutri Grain Twists” reference, insert -- Packaging Label for -- before “Nutri”.

“Packaging Label for Boost” reference, delete “pages” and insert -- page --, therefor.

“Packaging Label for Clif Bar” reference, delete “*SportsNaturals*” and insert -- Sports Naturals --, therefor.

“Packaging Label for Clif Kicks Bar” reference, delete “Kali’s SportsNaturals” and insert -- *Kali’s* Sports Naturals --, therefor.

“Packing Label for Whole Grain Bars” reference, delete “Packing” and insert -- Packaging --, therefor.

“Packing Label for New Yorker Breakfast Bar” reference, delete “Packing” and insert -- Packaging --, therefor.

“Packing Label for Oreo Granola Bars” reference, delete “Packing” and insert -- Packaging --, therefor.

“Packaging Label for Snack well’s Cereal Bars” reference, delete “Snack well’s” and insert -- Snackwell’s --, therefor.

“Power Bark for Find” reference, insert -- Packaging Label for -- before “Power”.

“Power Bark for Find.” reference, delete “Find.” and insert -- Fido --, therefor.

Signed and Sealed this

Eleventh Day of March, 2003



JAMES E. ROGAN

Director of the United States Patent and Trademark Office