



US00D465635S

(12) **United States Design Patent**  
**Hong**

(10) **Patent No.:** **US D465,635 S**

(45) **Date of Patent:** **\*\* Nov. 12, 2002**

(54) **REMOVING MACHINE FOR A VEHICLE ENGINE**

(76) **Inventor:** **Wen-Cheng Hong**, 58, Ma Yuan West St., Taichung (TW)

(\*\*) **Term:** **14 Years**

(21) **Appl. No.:** **29/144,266**

(22) **Filed:** **Jun. 27, 2001**

(51) **LOC (7) Cl.** ..... **12-05**

(52) **U.S. Cl.** ..... **D34/33; D34/28**

(58) **Field of Search** ..... **D34/28, 33, 36; 414/785, 11, 917; 212/294, 295, 901; 254/2 R, 8 R**

5,011,364 A	*	4/1991	Anderson	.....	254/8 R
5,052,566 A	*	10/1991	Ziegler	.....	212/294
5,076,448 A	*	12/1991	Ballard	.....	212/295
D341,242 S	*	11/1993	Thorby	.....	D34/33
D349,996 S	*	8/1994	Litwilleer	.....	D34/33
D376,240 S	*	12/1996	Finnigan et al.	.....	D34/33
D438,684 S	*	3/2001	Hernandez	.....	D34/33

\* cited by examiner

*Primary Examiner*—Cynthia E. Ramirez

(57) **CLAIM**

The ornamental design for a removing machine for a vehicle engine, as shown and described.

**DESCRIPTION**

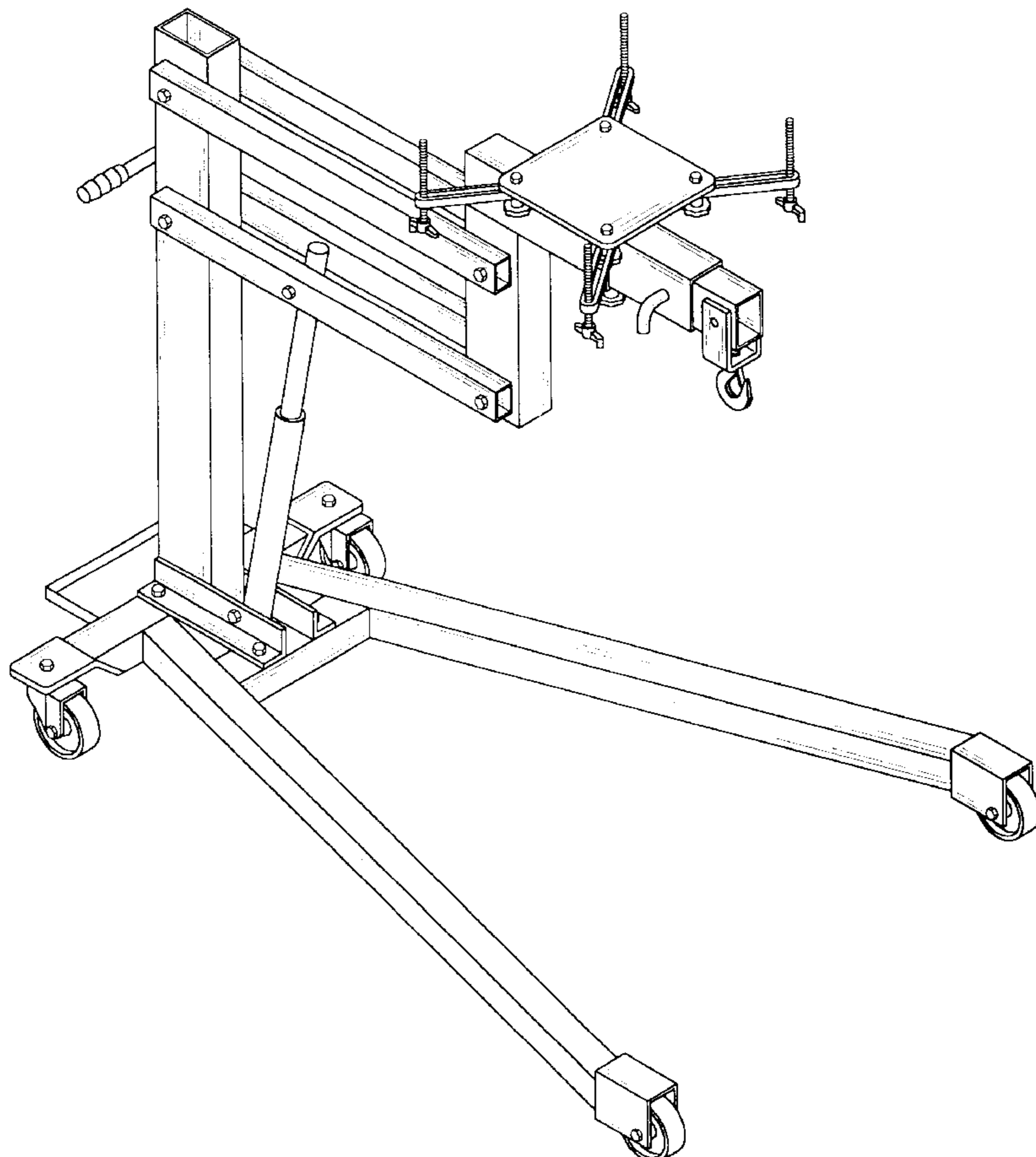
FIG. 1 is a perspective view of a removing machine for a vehicle engine showing my new design; FIG. 2 is a front elevational view thereof; FIG. 3 is a rear elevational view thereof; FIG. 4 is a left side elevational view thereof; FIG. 5 is a right side elevational view thereof; FIG. 6 is a top plan view thereof; and, FIG. 7 is a bottom plan view thereof.

**1 Claim, 7 Drawing Sheets**

(56) **References Cited**

**U.S. PATENT DOCUMENTS**

1,887,965 A	*	11/1932	Stoner	.....	254/2 R
3,521,860 A	*	7/1970	Zehrunge et al.	.....	254/8 R
4,508,233 A	*	4/1985	Helms	.....	212/294
4,644,595 A	*	2/1987	Daniel	.....	414/785 X
4,749,324 A	*	6/1988	Rulison	.....	414/11
4,838,439 A	*	6/1989	Baziuk	.....	212/294
4,925,039 A	*	5/1990	Macris	.....	212/295



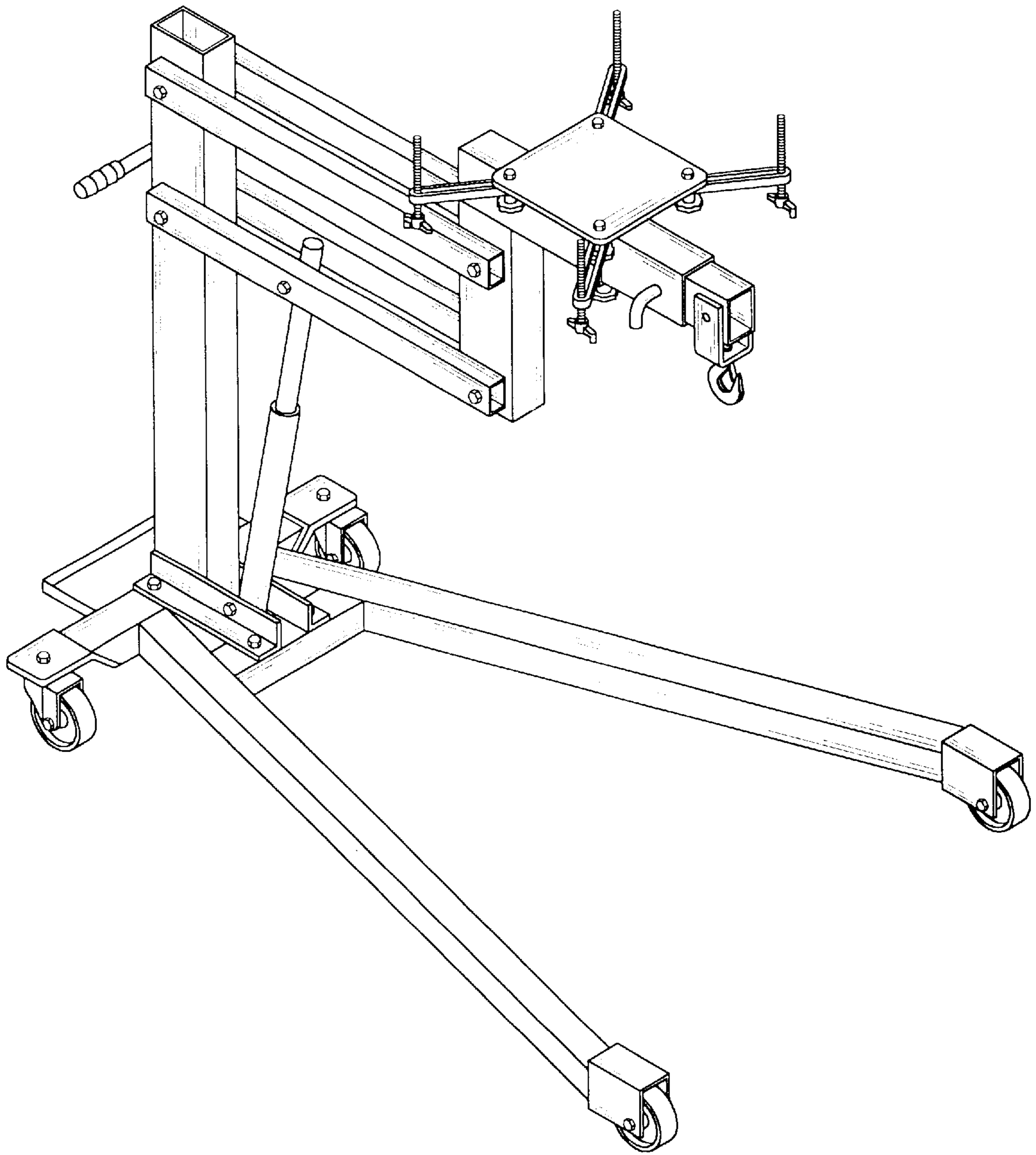


FIG. 1

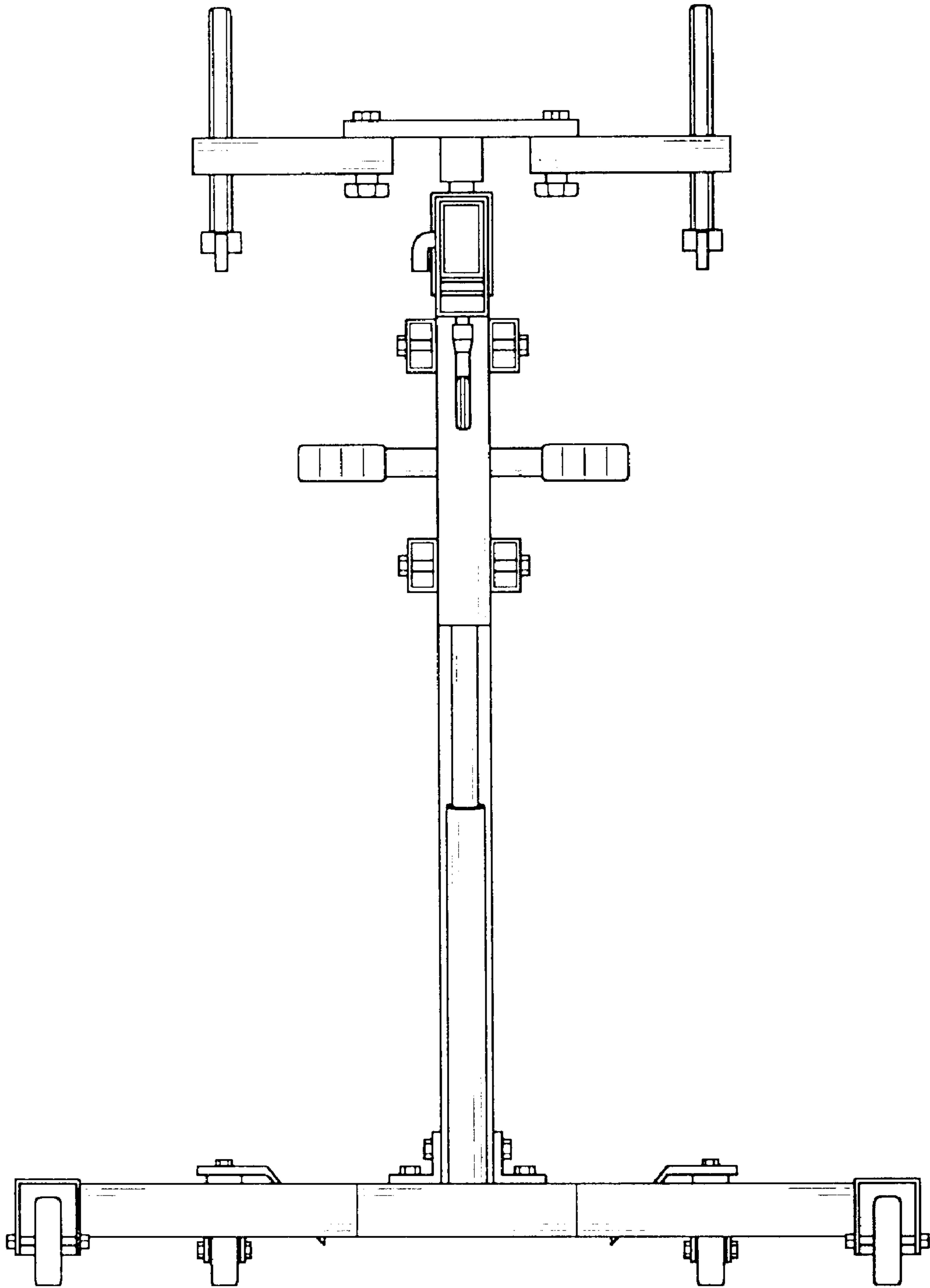


FIG. 2

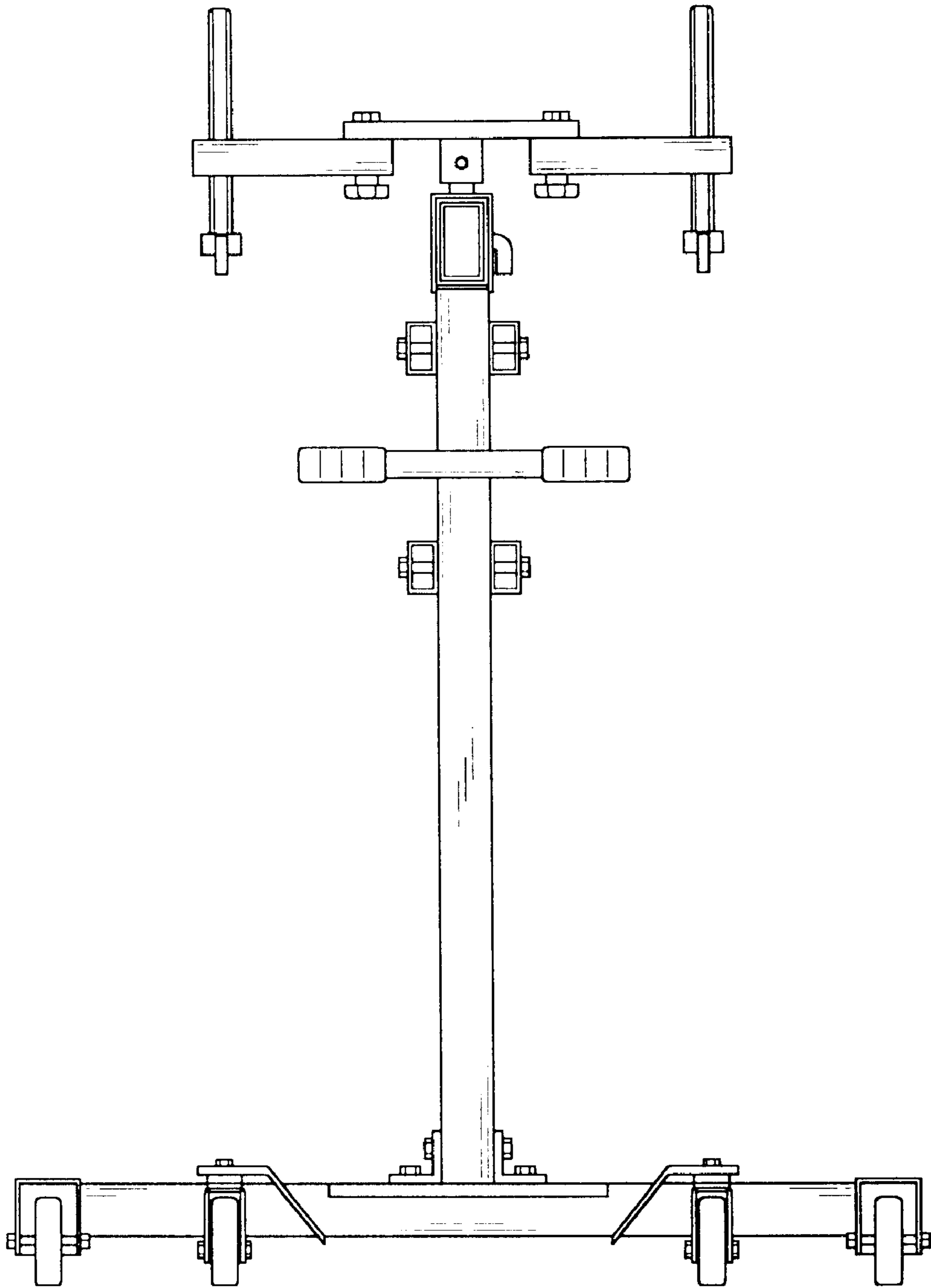


FIG. 3

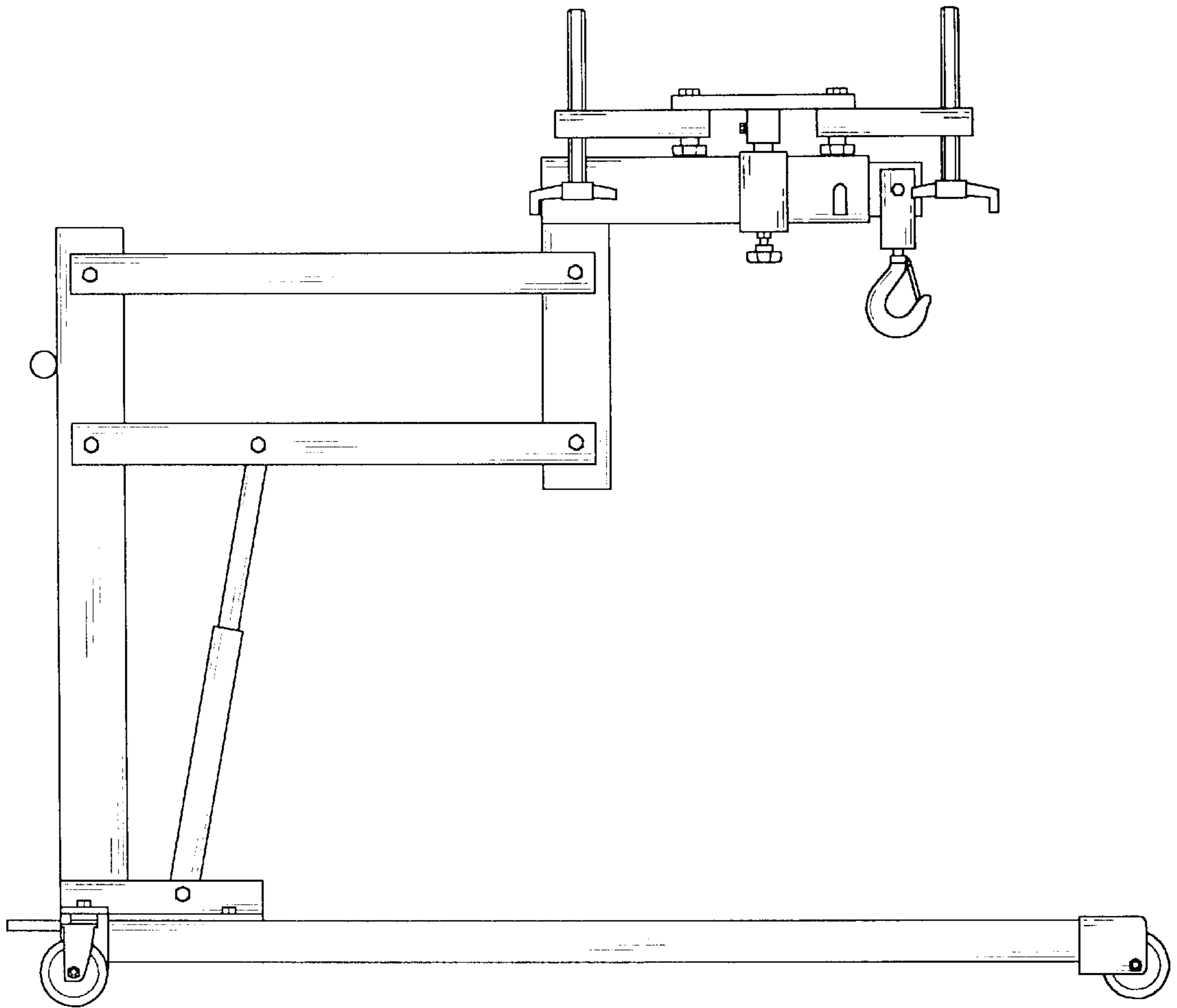


FIG. 4

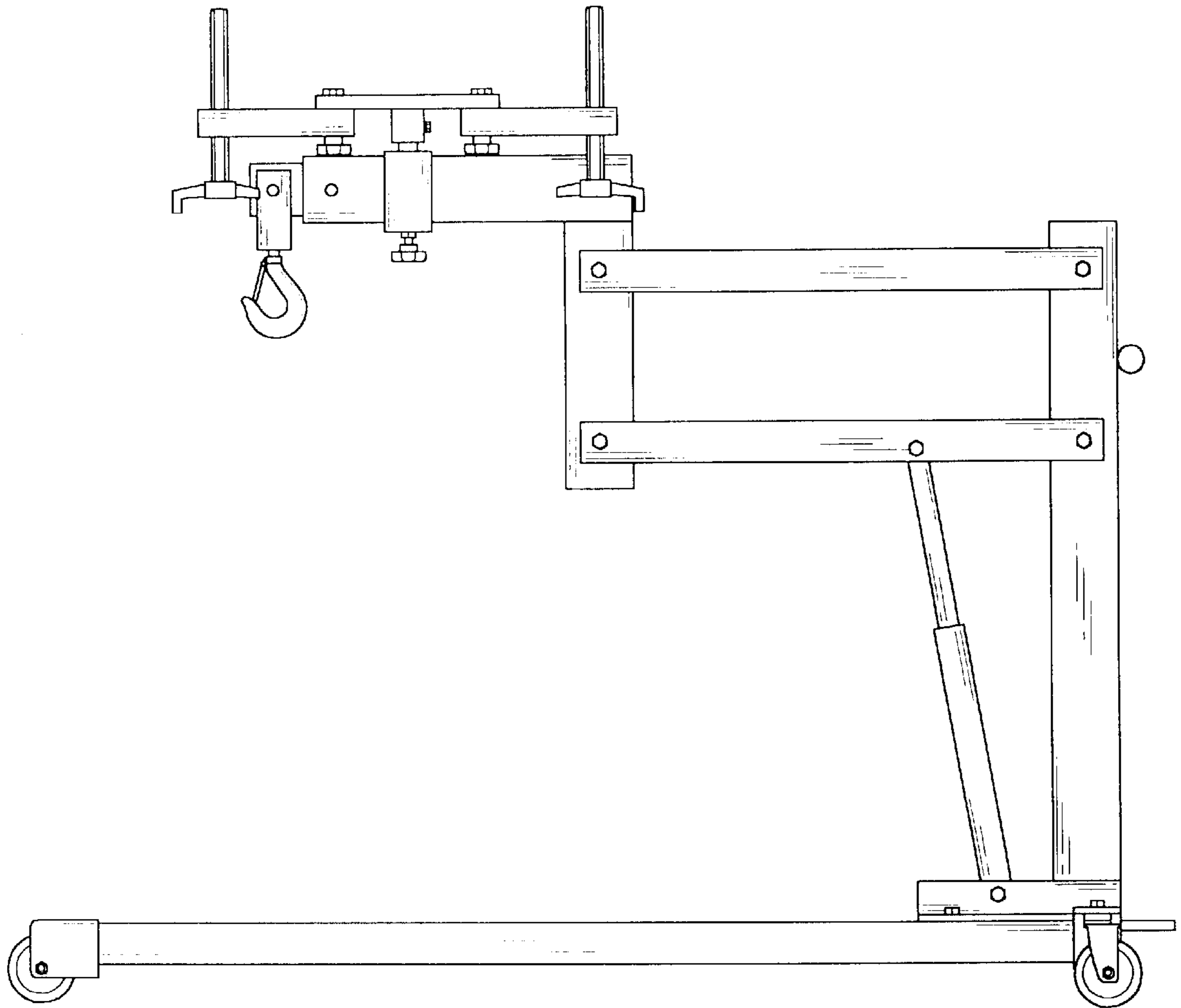


FIG. 5

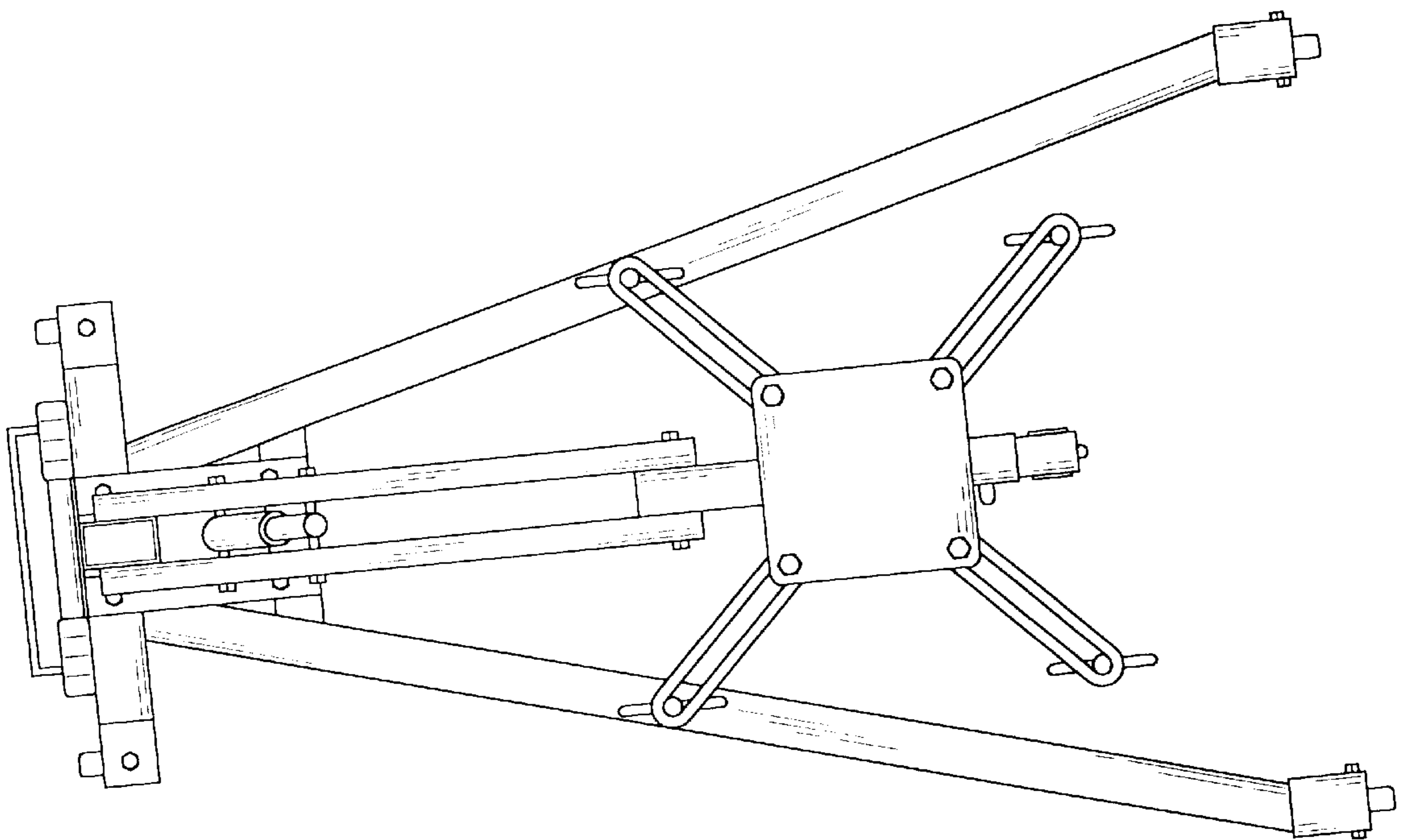


FIG. 6

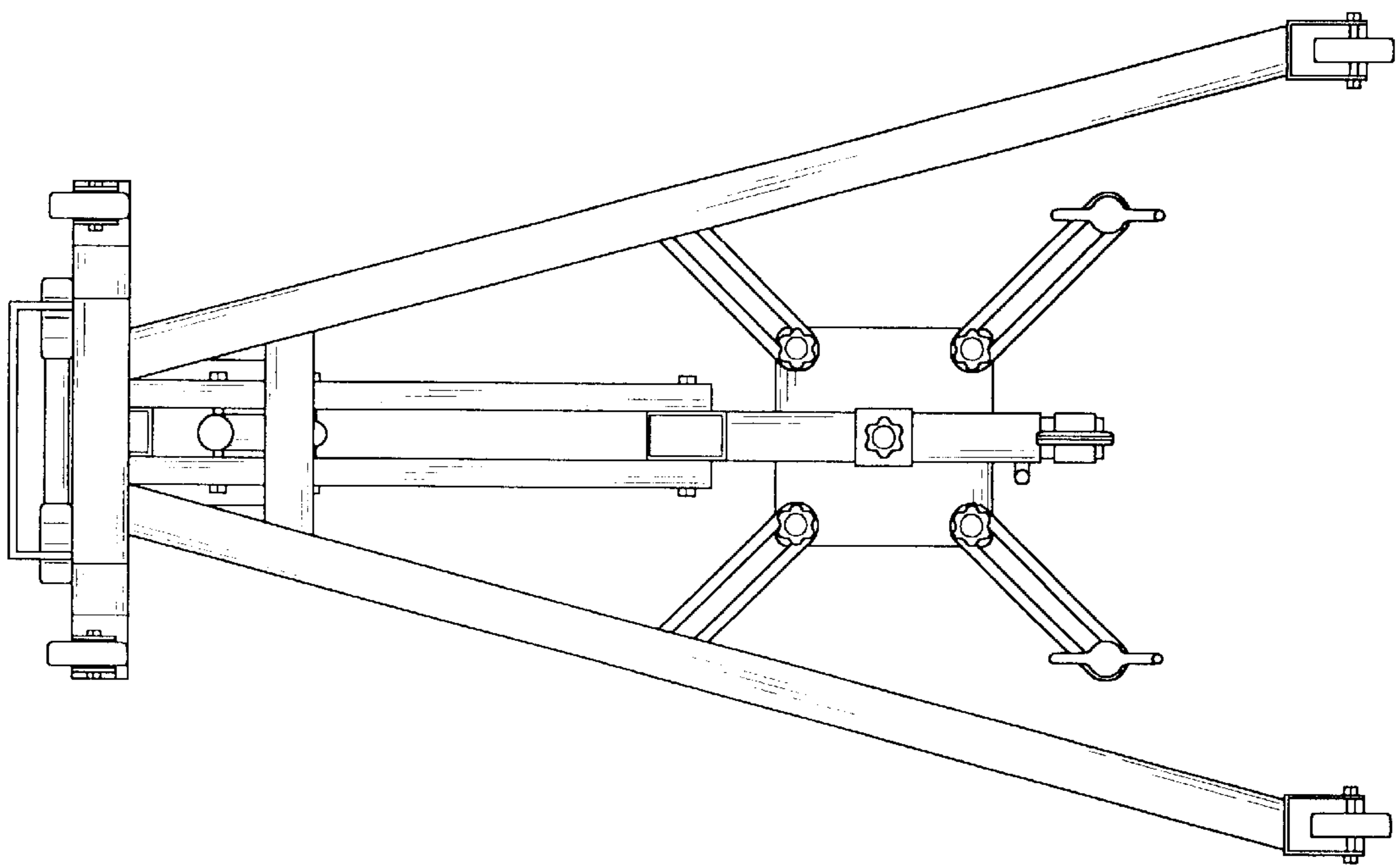


FIG. 7