



US00D465632S

(12) **United States Design Patent**  
**Koppes et al.**

(10) **Patent No.:** **US D465,632 S**

(45) **Date of Patent:** **\*\* Nov. 12, 2002**

(54) **COMBINED SHOPPING CART/STROLLER**

(75) Inventors: **Dana J. Koppes**, Columbus, OH (US);  
**Eric J. Fickas**, Powell, OH (US);  
**Vincent A. Gioia**, Westmont, IL (US);  
**Rodger Hays**, Columbus, OH (US);  
**Joni Hill**, Bartlett, IL (US); **Paul P.**  
**Kolada**, Bexley, OH (US); **Thomas P.**  
**Martini**, Gahanna, OH (US); **Jon M.**  
**Provencher**, Geneva, IL (US); **Kevin J.**  
**Vititoe**, Columbus, OH (US)

(73) Assignee: **Ohio Steel Industries, Inc.**, Columbus,  
OH (US)

(\*\*) Term: **14 Years**

(21) Appl. No.: **29/128,178**

(22) Filed: **Aug. 10, 2000**

(51) **LOC (7) Cl.** ..... **12-02**

(52) **U.S. Cl.** ..... **D34/17; D34/12; D12/129**

(58) **Field of Search** ..... **D34/12-27; D12/128-133;**  
**280/33.991, 33.992, 33.993, 33.994, 33.995,**  
**33.996, 33.997, 33.998, 47.35**

(56) **References Cited**

**U.S. PATENT DOCUMENTS**

951,553 A	3/1910	Williams et al.	
1,563,152 A	11/1925	Bowen	
2,429,034 A	10/1947	Smith et al.	280/41
D148,128 S	12/1947	Brottman	D14/3
2,443,236 A	6/1948	Gallagher	280/50
2,450,062 A	9/1948	Voss et al.	16/18
2,615,726 A	10/1952	Brottman	280/47
2,683,480 A	7/1954	Kosman	155/22
2,769,482 A	11/1956	Carlson	155/10
D183,651 S	* 10/1958	Gill	D12/129
3,048,420 A	8/1962	Umanoff	280/62
D196,836 S	11/1963	Berger	D14/3
D212,325 S	* 10/1968	Korol	D12/129
3,486,185 A	12/1969	Lange	16/18
3,497,234 A	2/1970	Schray	280/33.99
3,612,603 A	10/1971	Snyder et al.	297/130
3,726,536 A	4/1973	Ariño	280/36 C

3,774,929 A	11/1973	Stanley	280/41 R
4,403,807 A	9/1983	Wilkinson et al.	297/217
4,555,123 A	11/1985	Rehrig	280/160
4,560,096 A	12/1985	Lucas et al.	224/42.42
4,583,758 A	4/1986	Runion et al.	280/644
4,598,945 A	7/1986	Hopkins	280/250
4,685,688 A	8/1987	Edwards	280/30
4,763,919 A	8/1988	Nakao et al.	280/644
4,765,644 A	8/1988	Bell	280/641
4,861,105 A	8/1989	Merten et al.	297/250
4,877,289 A	10/1989	Herrera	297/250
4,923,208 A	5/1990	Takahashi et al.	280/642
4,953,887 A	9/1990	Takahashi et al.	280/647
4,958,887 A	9/1990	Meeker	297/250
4,984,813 A	1/1991	Takahashi et al.	280/30
5,018,754 A	5/1991	Cheng	280/47.4
D318,550 S	7/1991	Stefano	D34/21
5,125,674 A	6/1992	Manuszak	280/30
5,203,578 A	4/1993	Davidson et al.	280/33.991
5,238,293 A	8/1993	Gibson	297/229
5,263,726 A	11/1993	Wood	280/33.992
5,277,473 A	1/1994	Kelly et al.	297/250.1
5,290,049 A	3/1994	Crisp et al.	280/30

(List continued on next page.)

*Primary Examiner*—Kay H. Chin

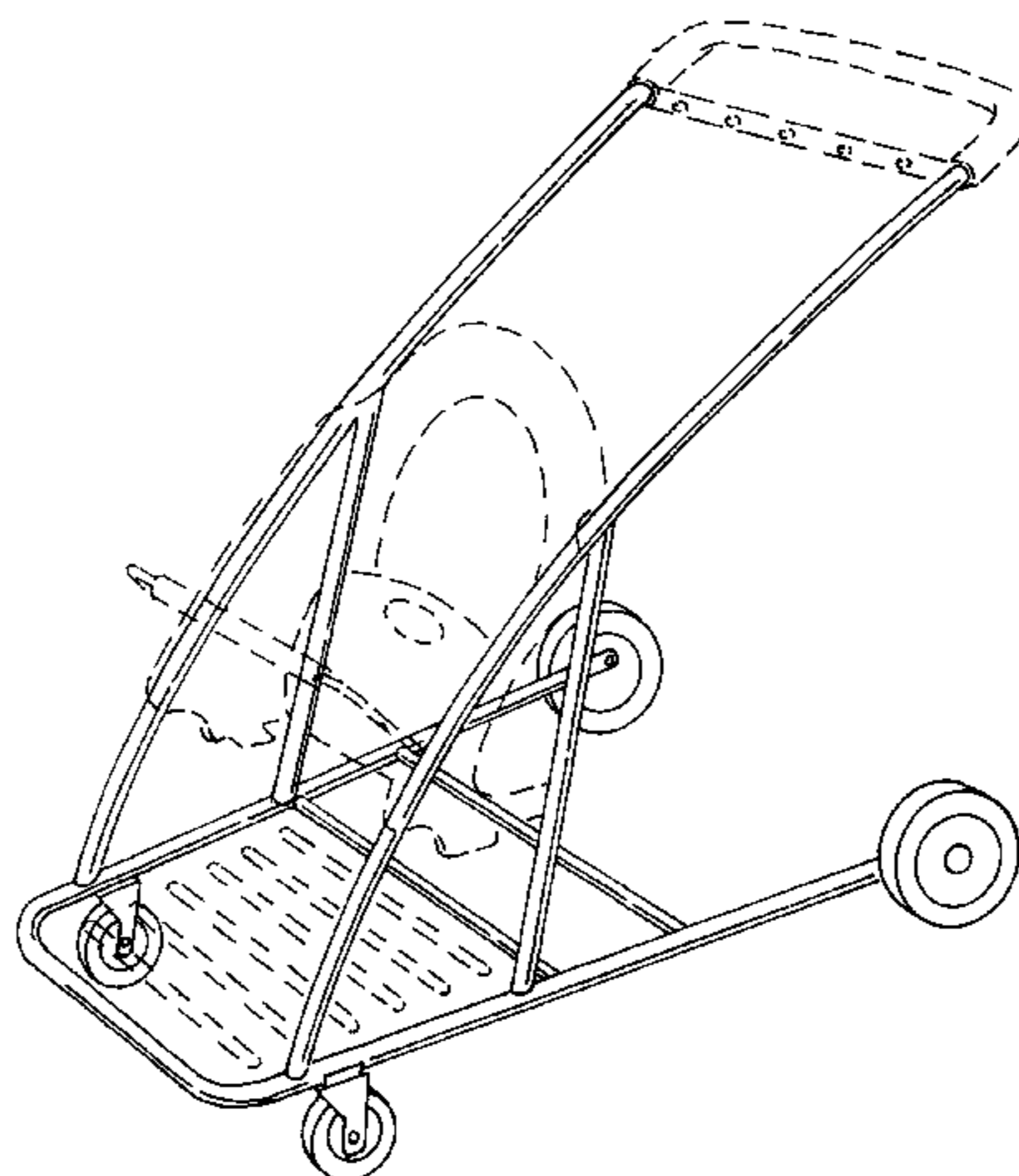
(57) **CLAIM**

The ornamental design for a combined shopping cart/stroller, as shown and described.

**DESCRIPTION**

FIG. 1 is a front perspective view of a combined shopping cart/stroller showing our new design;  
FIG. 2 is a left side elevational view thereof, the right side elevational view being the mirror image of that shown;  
FIG. 3 is a top plan view thereof;  
FIG. 4 is a front side elevational view thereof;  
FIG. 5 is a back side elevational view thereof; and,  
FIG. 6 is a perspective view similar to FIG. 1.  
The broken lines shown in FIGS. 1 through 6 illustrate the placement of various optional accessories and form no part of the claimed design.

**1 Claim, 5 Drawing Sheets**



# US D465,632 S

Page 2

## U.S. PATENT DOCUMENTS

5,354,079 A	10/1994	Hettenbach	280/33.991	D386,873 S	11/1997	Langlois D'Estaintot et al.	D34/21
5,417,449 A	5/1995	Shamie	280/642	5,715,571 A	2/1998	Fasano	16/110 R
D360,392 S	7/1995	Lewandowski	D12/129	5,722,594 A	3/1998	Farr et al.	280/643
D363,589 S	10/1995	Lafleur et al.	D34/21	5,820,142 A	10/1998	Duer	280/33.992
D366,546 S *	1/1996	Schaub et al.	D34/20	5,887,888 A	3/1999	Tseng	280/644
5,494,308 A	2/1996	Southerland	280/33.992	5,938,091 A	8/1999	Bergin et al.	224/411
5,531,238 A	7/1996	Azzarelli et al.	135/66	5,961,018 A	10/1999	Abelbeck et al.	224/584
5,544,904 A	8/1996	Maher	280/47.35	5,961,133 A	10/1999	Perry	280/33.993
5,553,876 A	9/1996	Trubiano	280/33.991	5,988,670 A	11/1999	Song et al.	280/648
5,553,877 A	9/1996	Huang	280/33.997	6,003,894 A	12/1999	Maher	280/639
D377,255 S	1/1997	Rehrig	D34/27				
5,595,394 A	1/1997	Adamson	280/33.993				

\* cited by examiner

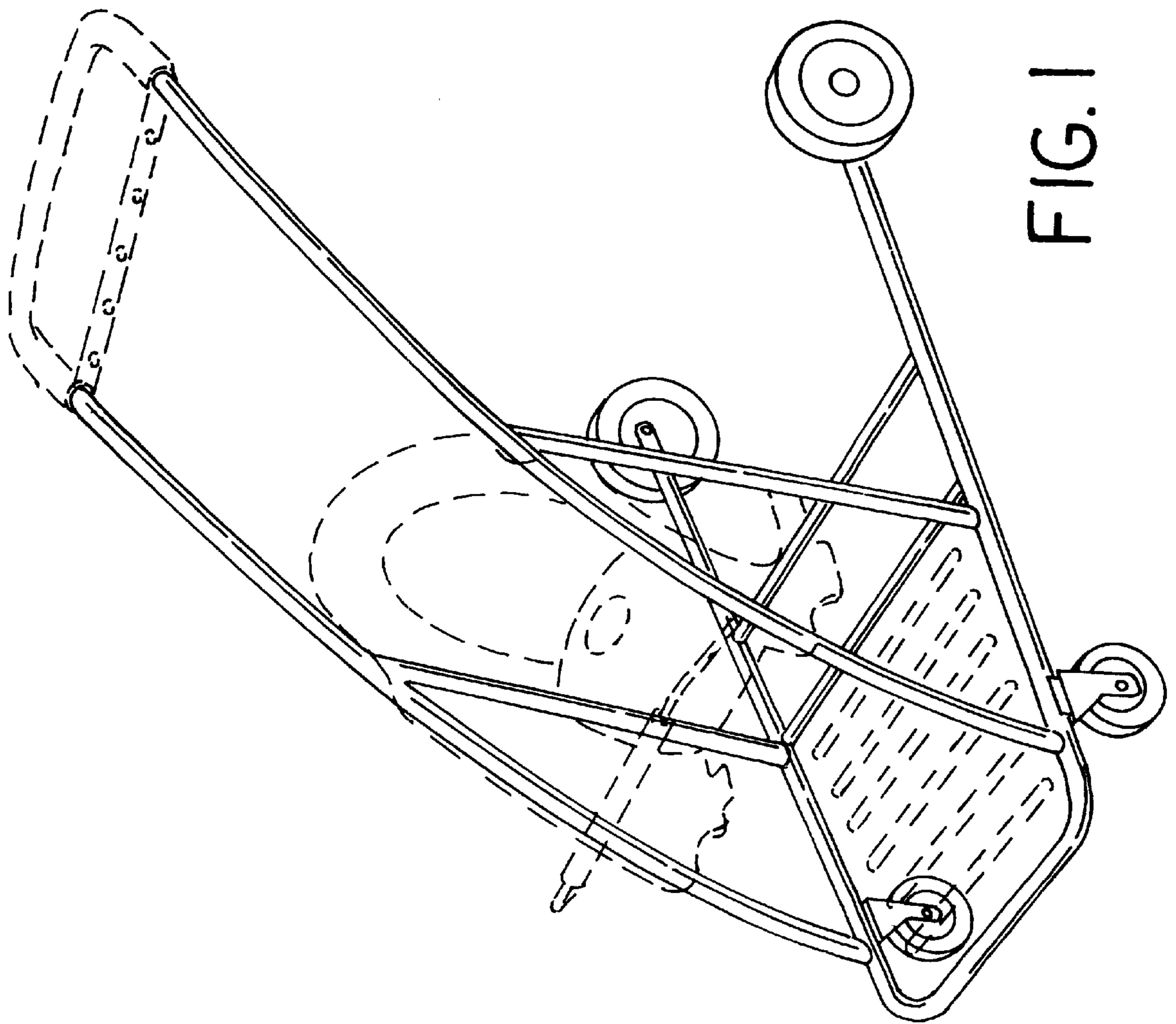
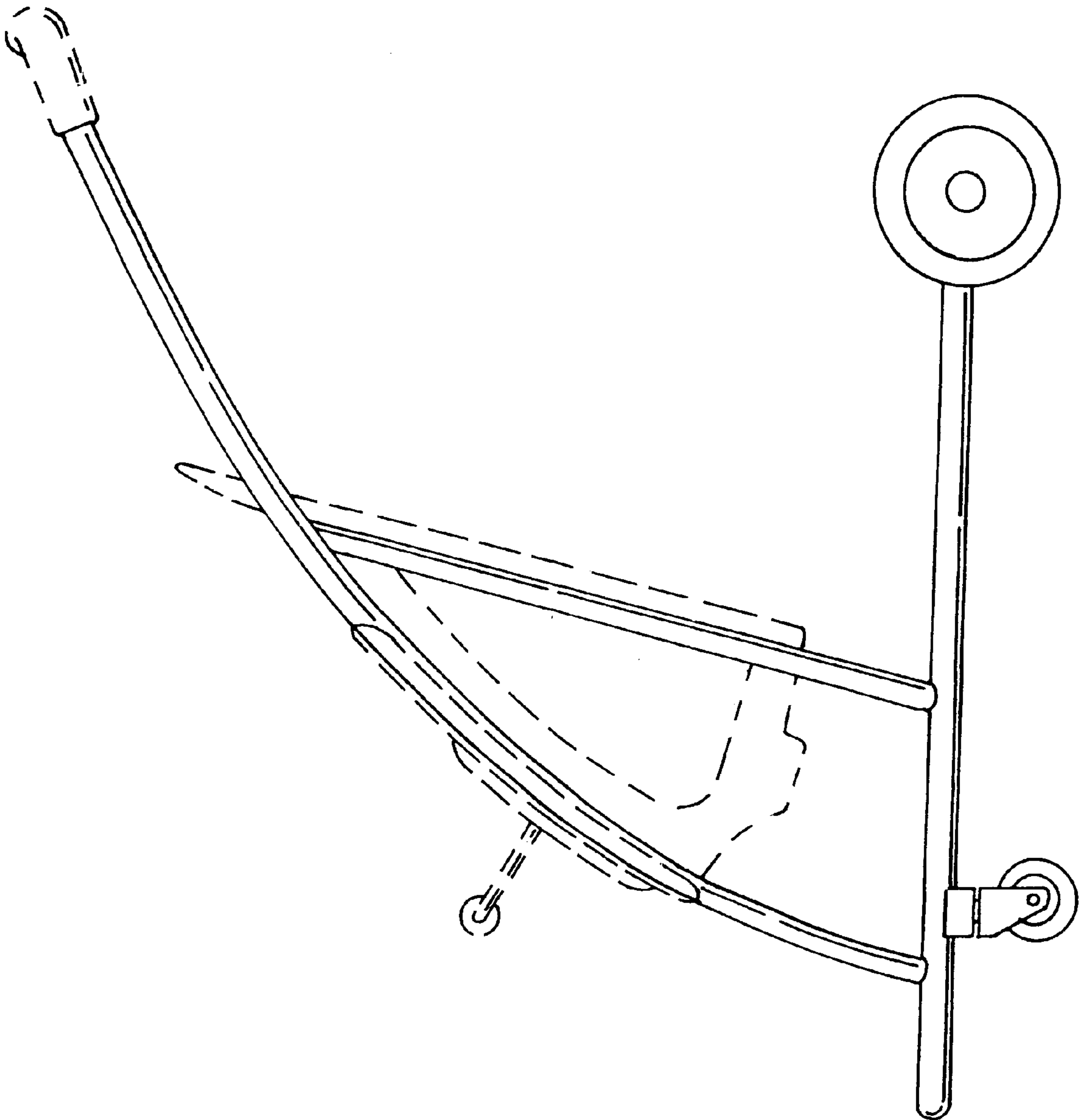


FIG. 1

FIG. 2



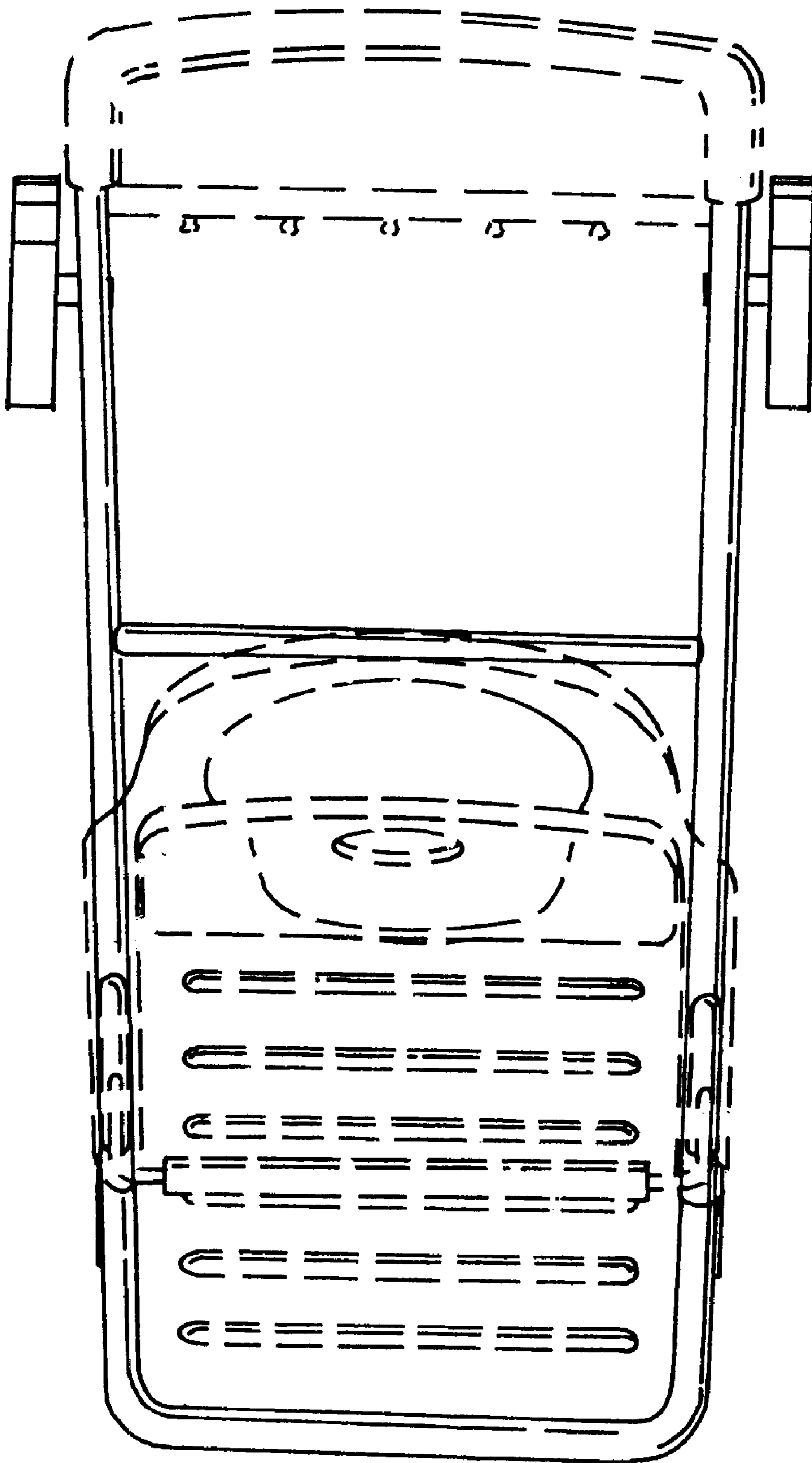


FIG. 3

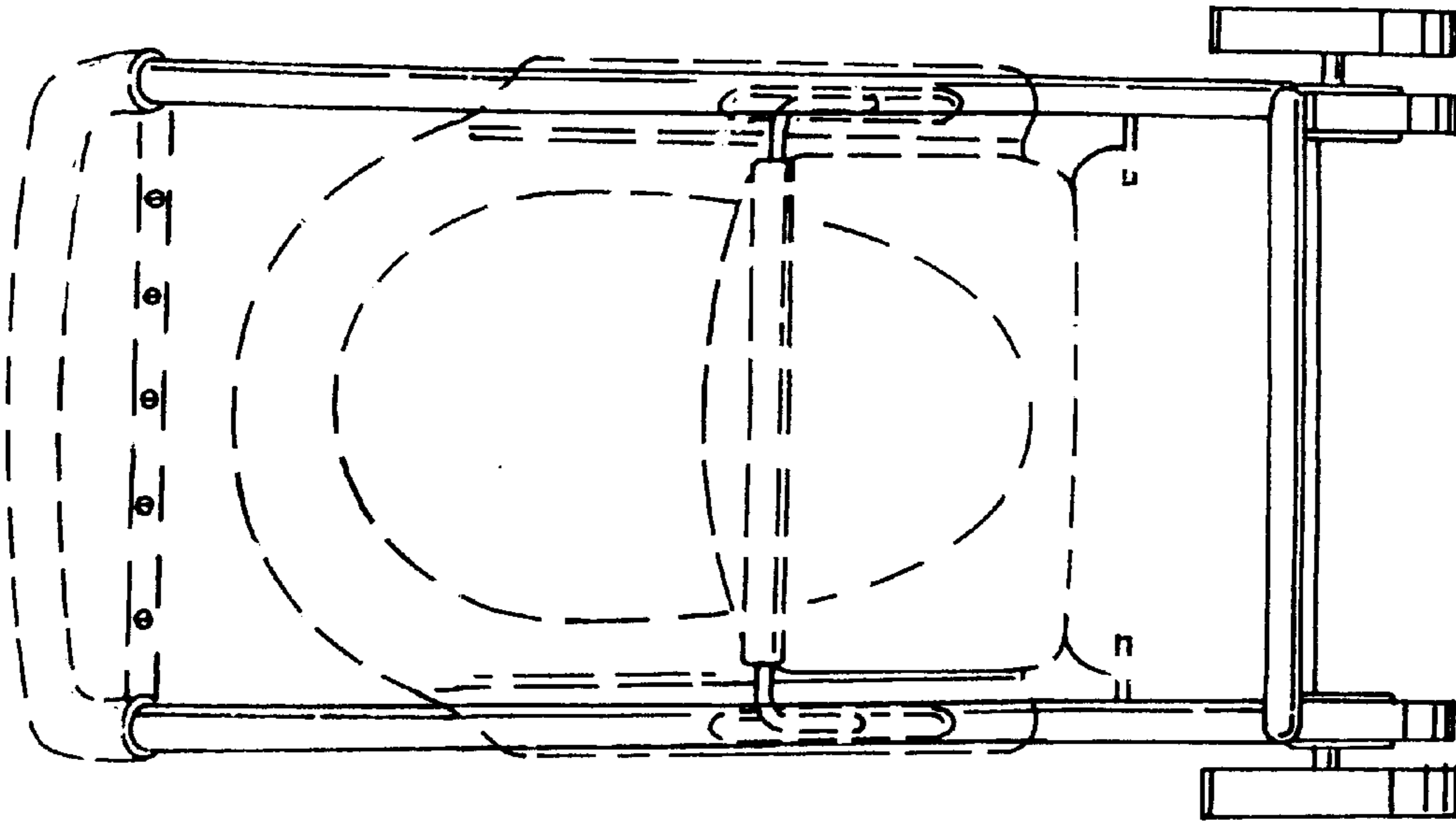


FIG. 4

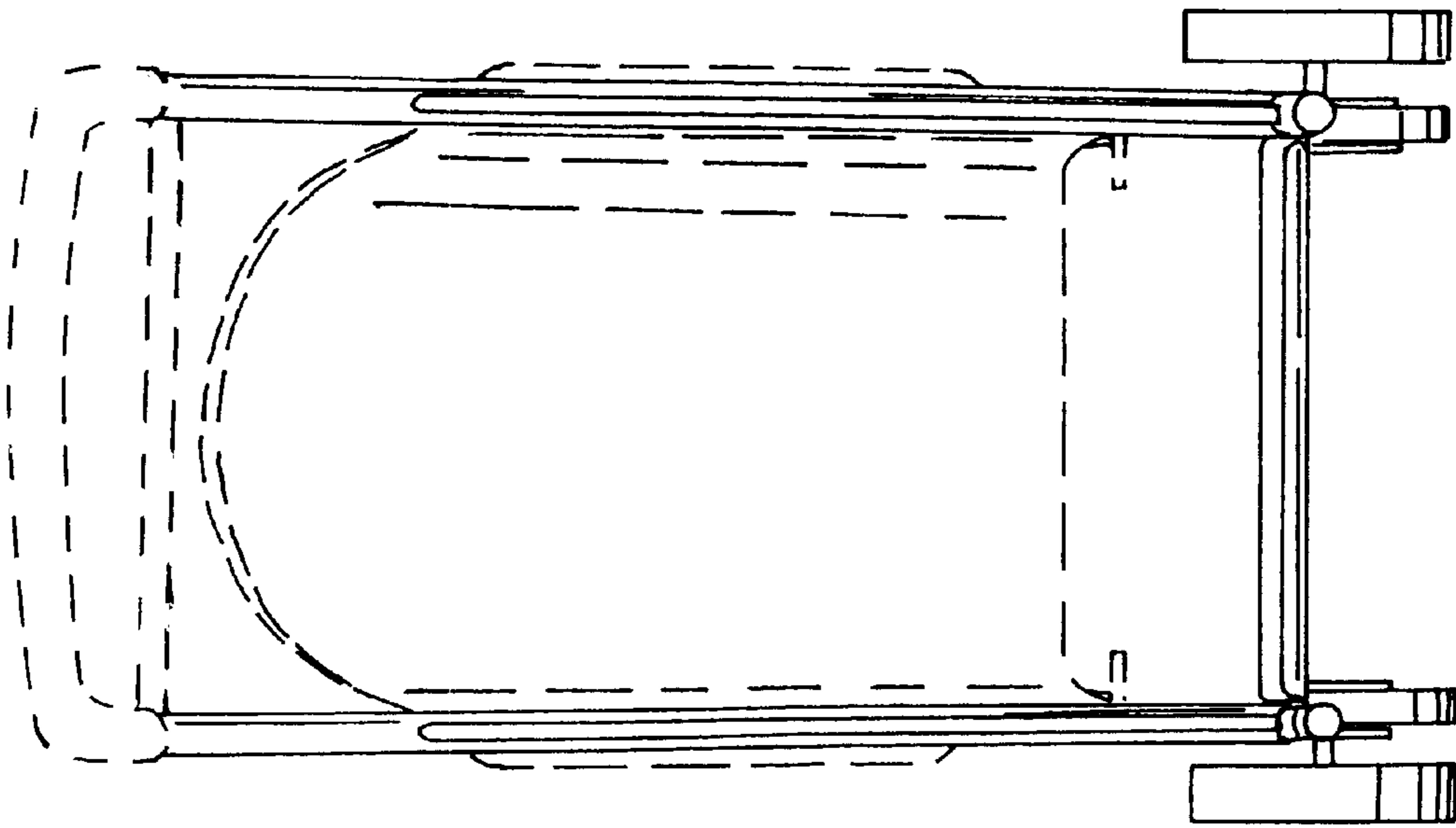


FIG. 5

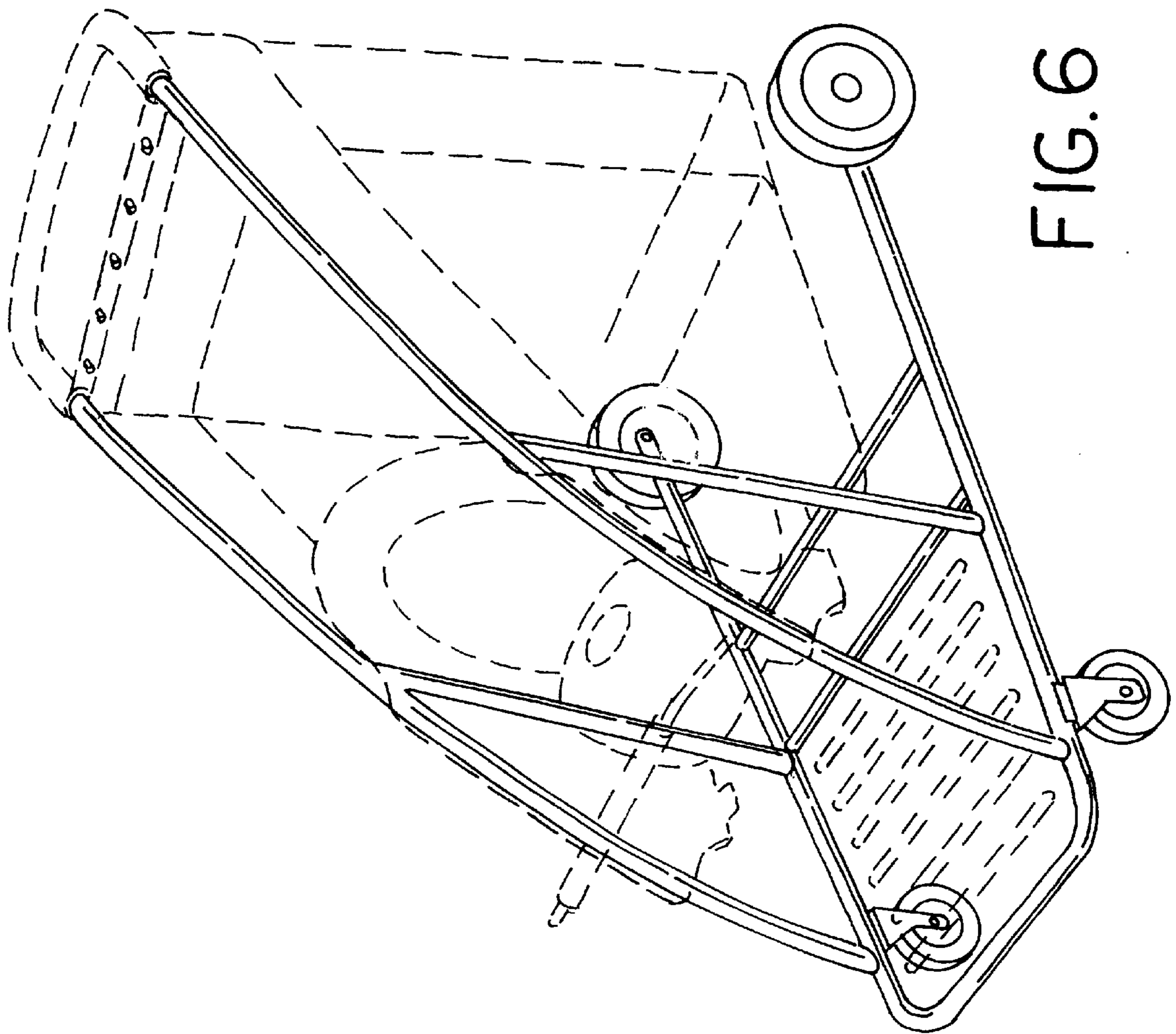


FIG. 6