



US00D465631S

(12) **United States Design Patent**
Brant

(10) **Patent No.:** **US D465,631 S**

(45) **Date of Patent:** **** Nov. 12, 2002**

(54) **MOTORIZED WHEELBARROW**

D426,928 S * 6/2000 Pasin D34/19

(75) Inventor: **Ronald G. Brant**, Smyrna, TN (US)

* cited by examiner

(73) Assignee: **Murray, Inc.**, Brentwood, TN (US)

Primary Examiner—Kay H. Chin

(**) Term: **14 Years**

(74) *Attorney, Agent, or Firm*—Kevin E. Joyce

(21) Appl. No.: **29/158,612**

(57) **CLAIM**

(22) Filed: **Apr. 5, 2002**

The ornamental design for a motorized wheelbarrow, as shown and described.

(51) **LOC (7) Cl.** **12-02**

(52) **U.S. Cl.** **D34/16**

(58) **Field of Search** D34/12-27; D21/533-536;
280/87.01, 47.34, 47.35; 296/26

DESCRIPTION

FIG. 1 is a left side perspective view of a motorized wheelbarrow showing my new design; FIG. 2 is a right front perspective view thereof; FIG. 3 is a rear perspective view thereof; and, FIG. 4 is a front perspective view thereof.

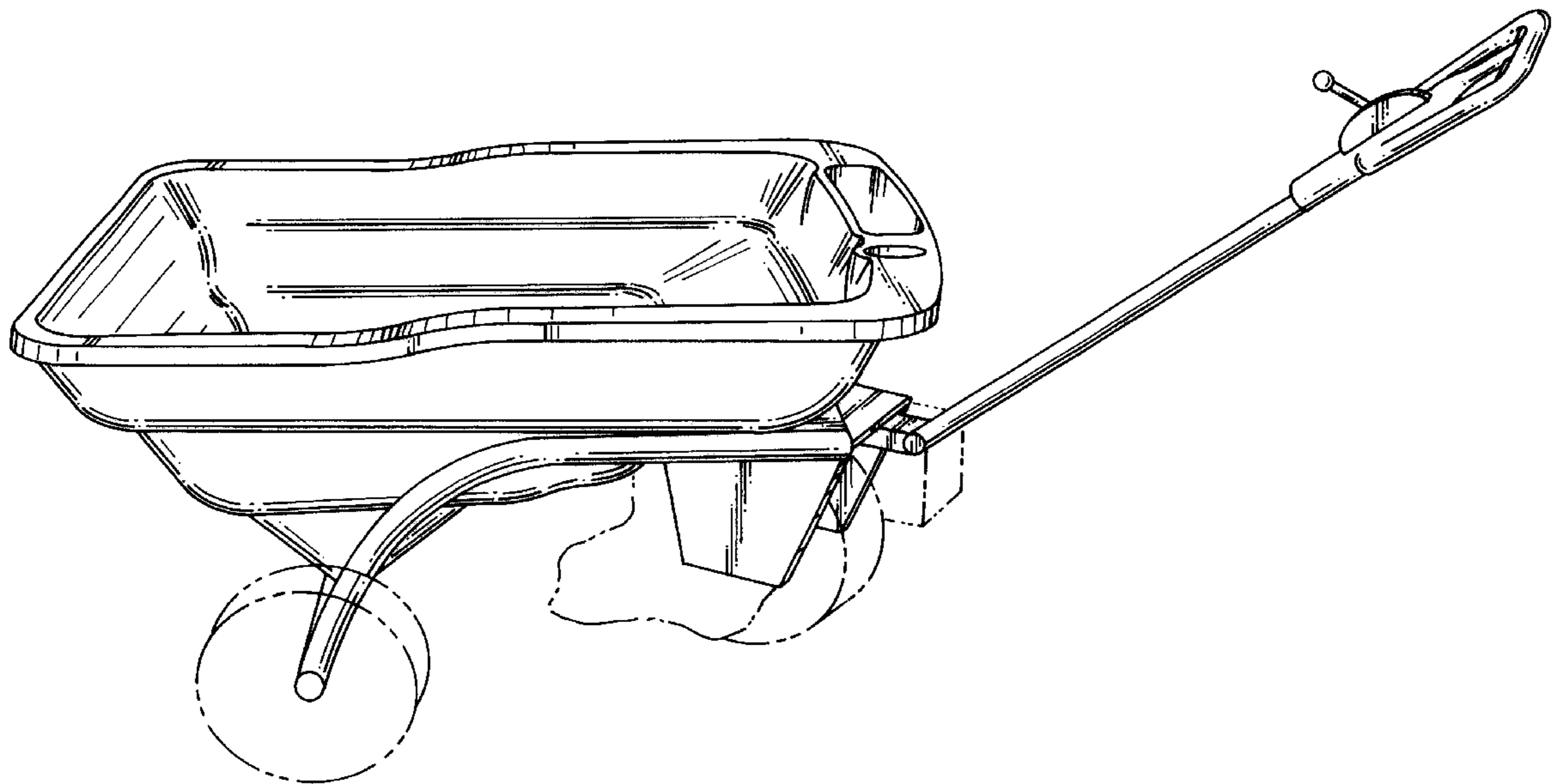
(56) **References Cited**

The broken line showings of wheels, an electric motor, a battery pack and associated wiring are for illustrative purposes only and form no part of the invention.

U.S. PATENT DOCUMENTS

5,653,458 A * 8/1997 Chaparian 280/30
D401,728 S * 11/1998 Kass et al. D34/26

1 Claim, 4 Drawing Sheets



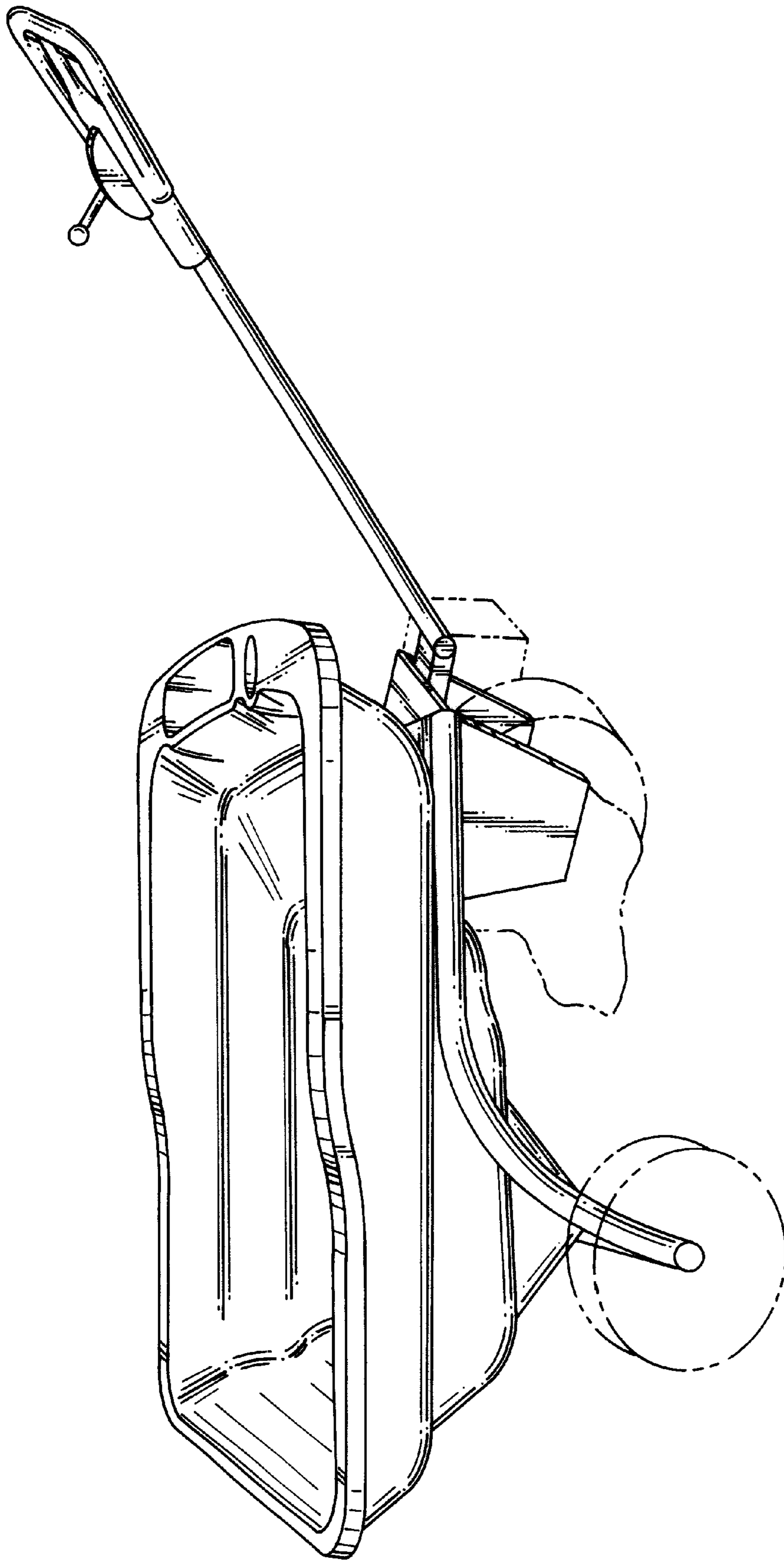


FIG. 1

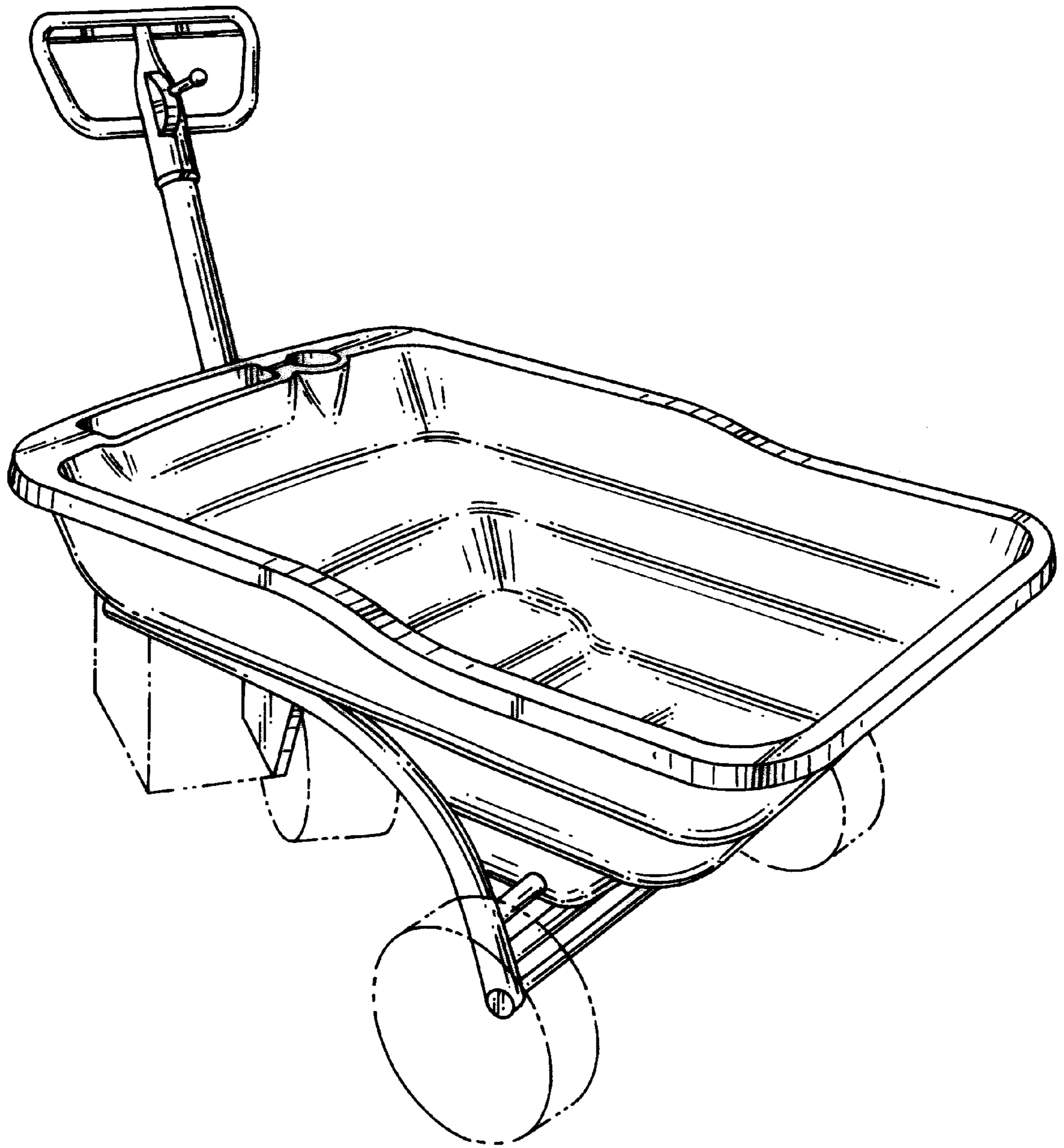


FIG. 2

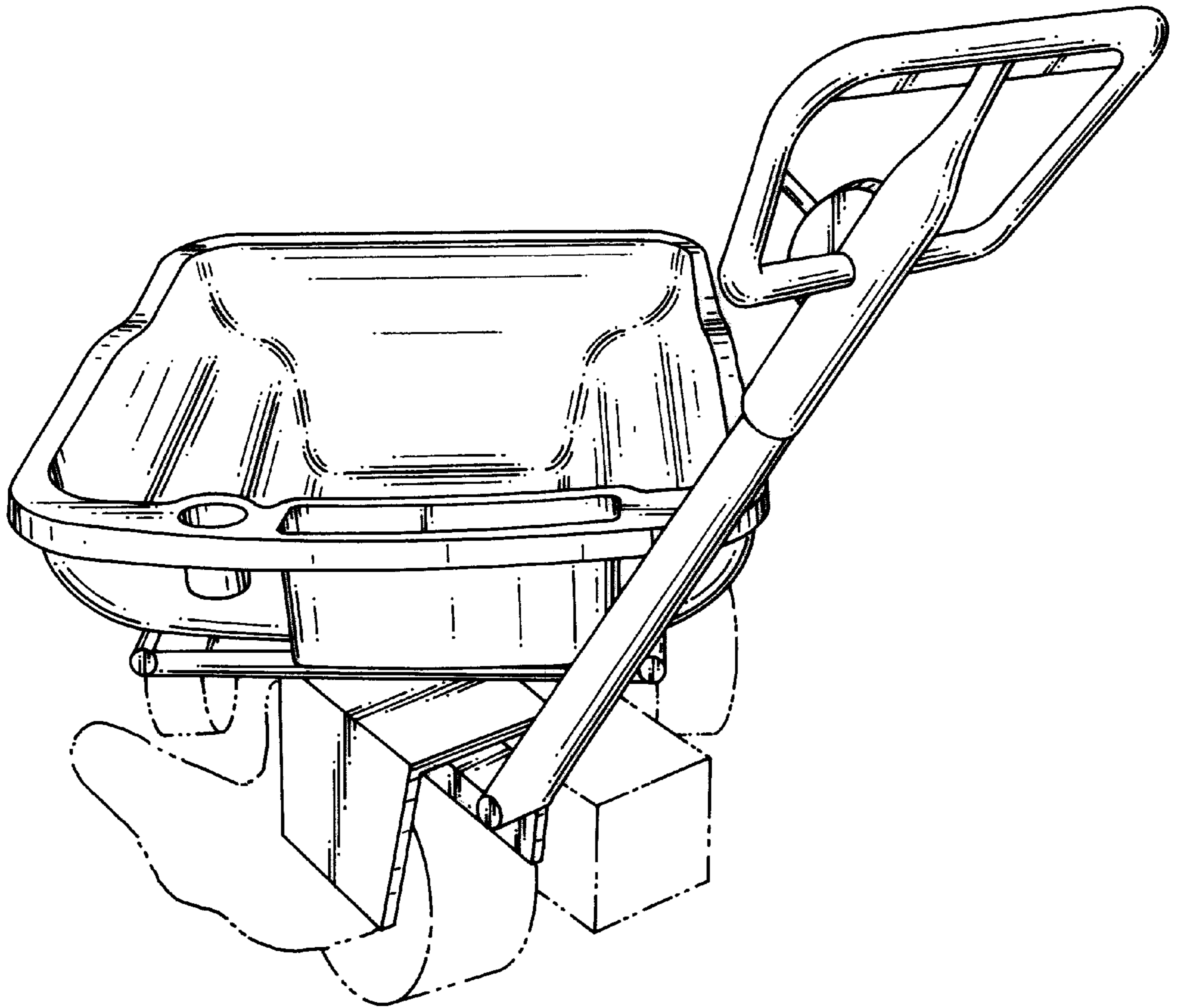


FIG. 3

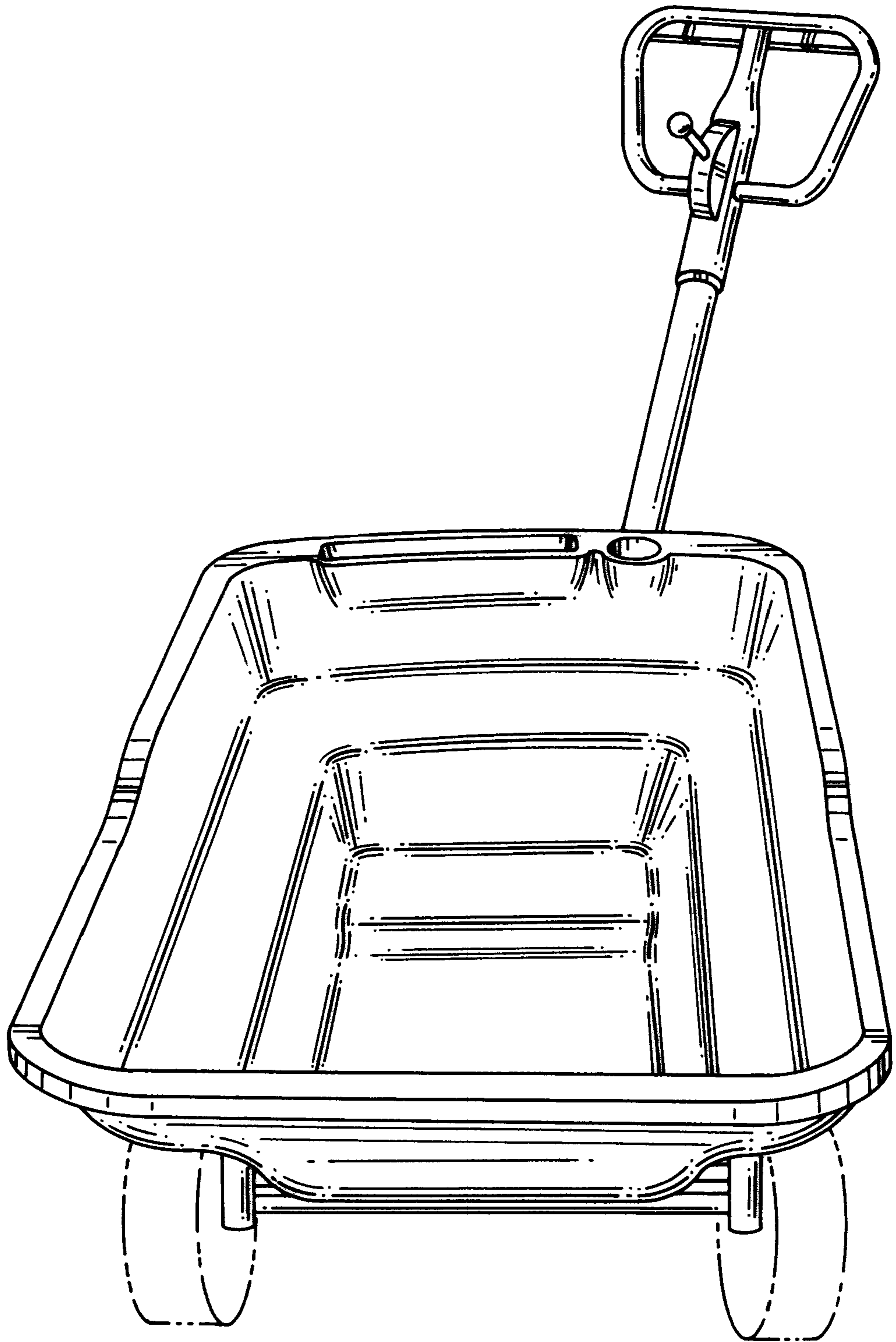


FIG. 4