



US00D465628S

(12) **United States Design Patent**
Chen

(10) **Patent No.:** **US D465,628 S**

(45) **Date of Patent:** **** Nov. 12, 2002**

(54) **GARBAGE CAN**

(76) **Inventor:** **Chung Cheng Chen**, No.40 Lane 578
Jong Hwa Road, Yung Khang City
Tainan (TW)

(**) **Term:** **14 Years**

(21) **Appl. No.:** **29/147,567**

(22) **Filed:** **Sep. 1, 2001**

(51) **LOC (7) Cl.** **09-09**

(52) **U.S. Cl.** **D34/5; D34/7**

(58) **Field of Search** D34/1, 5, 6, 7,
D34/10, 11, 24; 220/908, 909, 910, 911,
367.1, 368, 373, 374; 232/43.2; 280/47.26;
D7/390, 391

(56) **References Cited**

U.S. PATENT DOCUMENTS

D280,459 S * 9/1985 McClelland D34/8
D333,713 S * 3/1993 Blakemore D34/1
D334,639 S * 4/1993 Kroll D34/7

D335,562 S * 5/1993 Evans D34/7
D447,307 S * 8/2001 Niemeyer D34/7
D448,535 S * 9/2001 Delmerico D34/7

* cited by examiner

Primary Examiner—Cynthia E. Ramirez
(74) *Attorney, Agent, or Firm*—Pro-Techtor International
Services

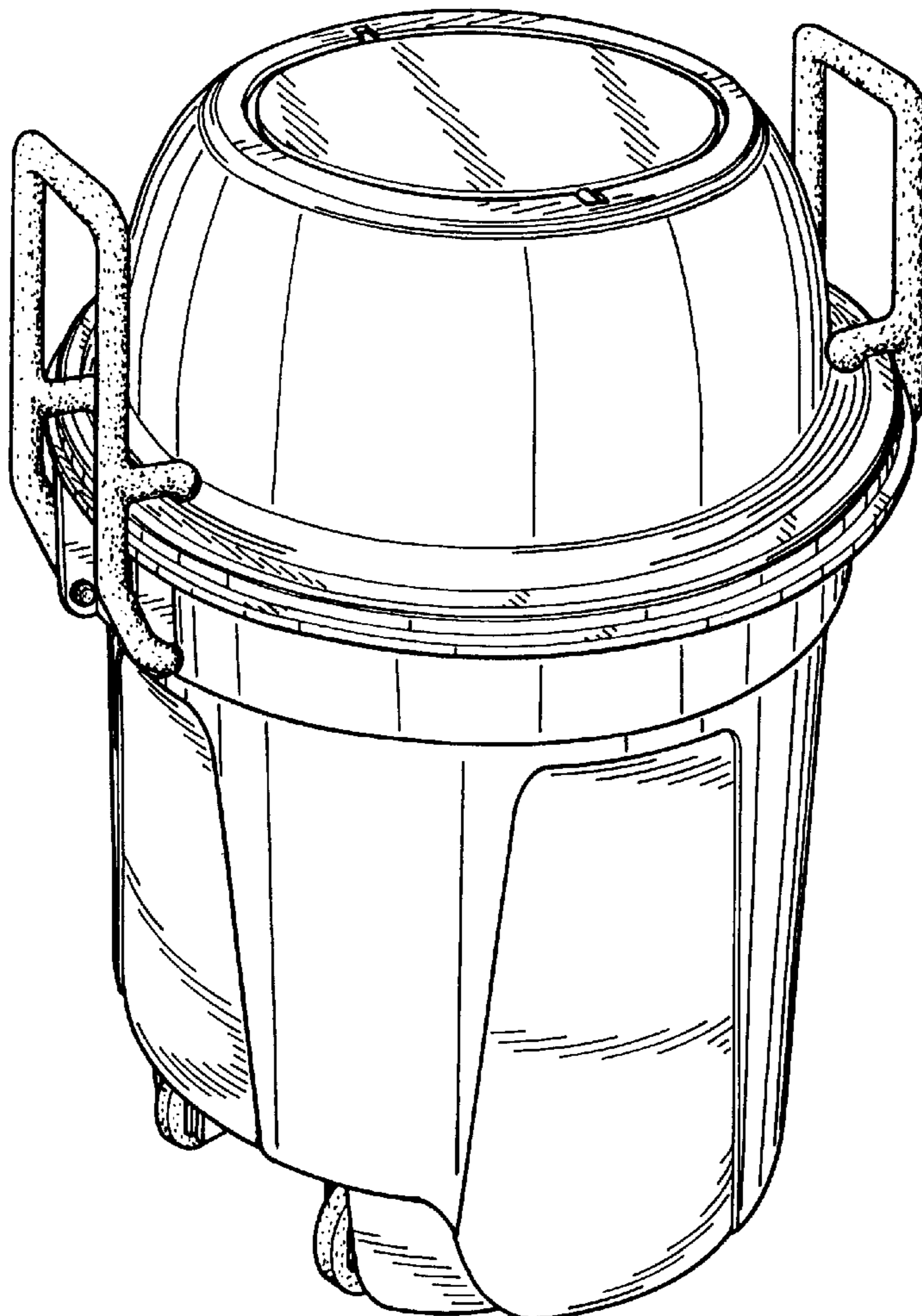
(57) **CLAIM**

The ornamental design for a garbage can, as shown and described.

DESCRIPTION

FIG. 1 is a perspective view of a garbage can showing my new design;
FIG. 2 is a front view of the design;
FIG. 3 is a rear view of the design;
FIG. 4 is a left side view of the design;
FIG. 5 is a right side view of the design;
FIG. 6 is a top view of the design; and,
FIG. 7 is a bottom view of the design.

1 Claim, 6 Drawing Sheets



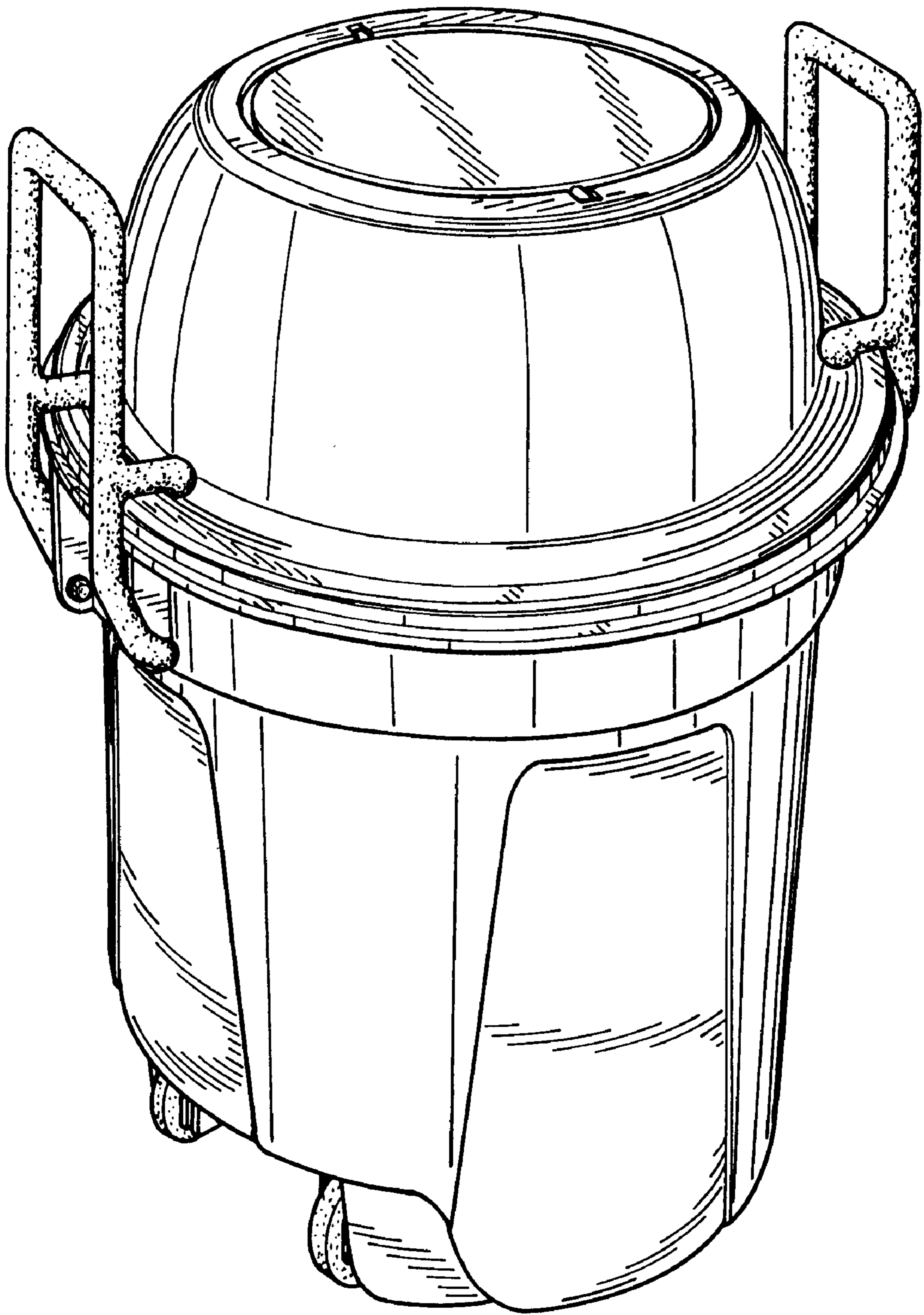


FIG. 1

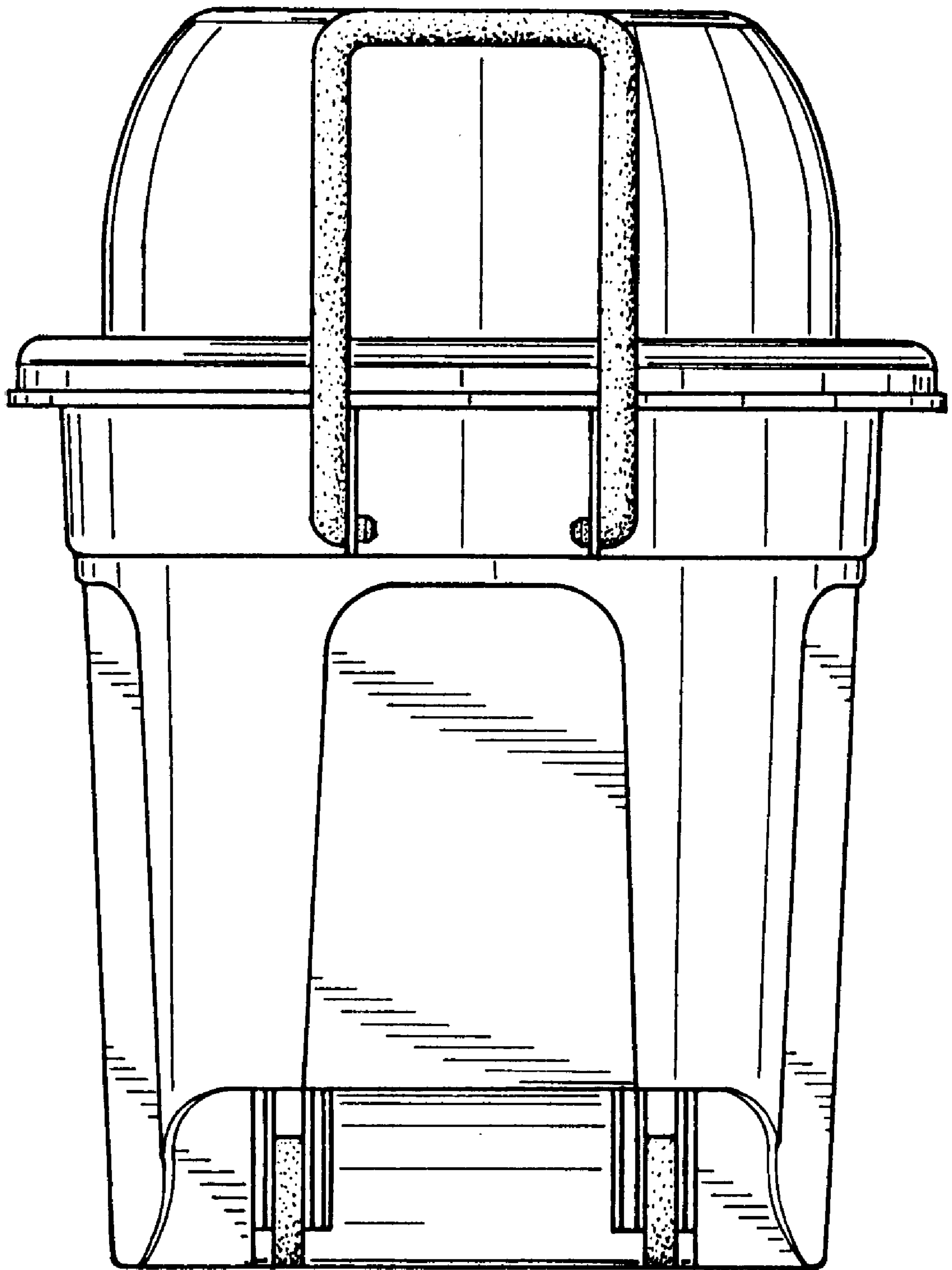


FIG. 2

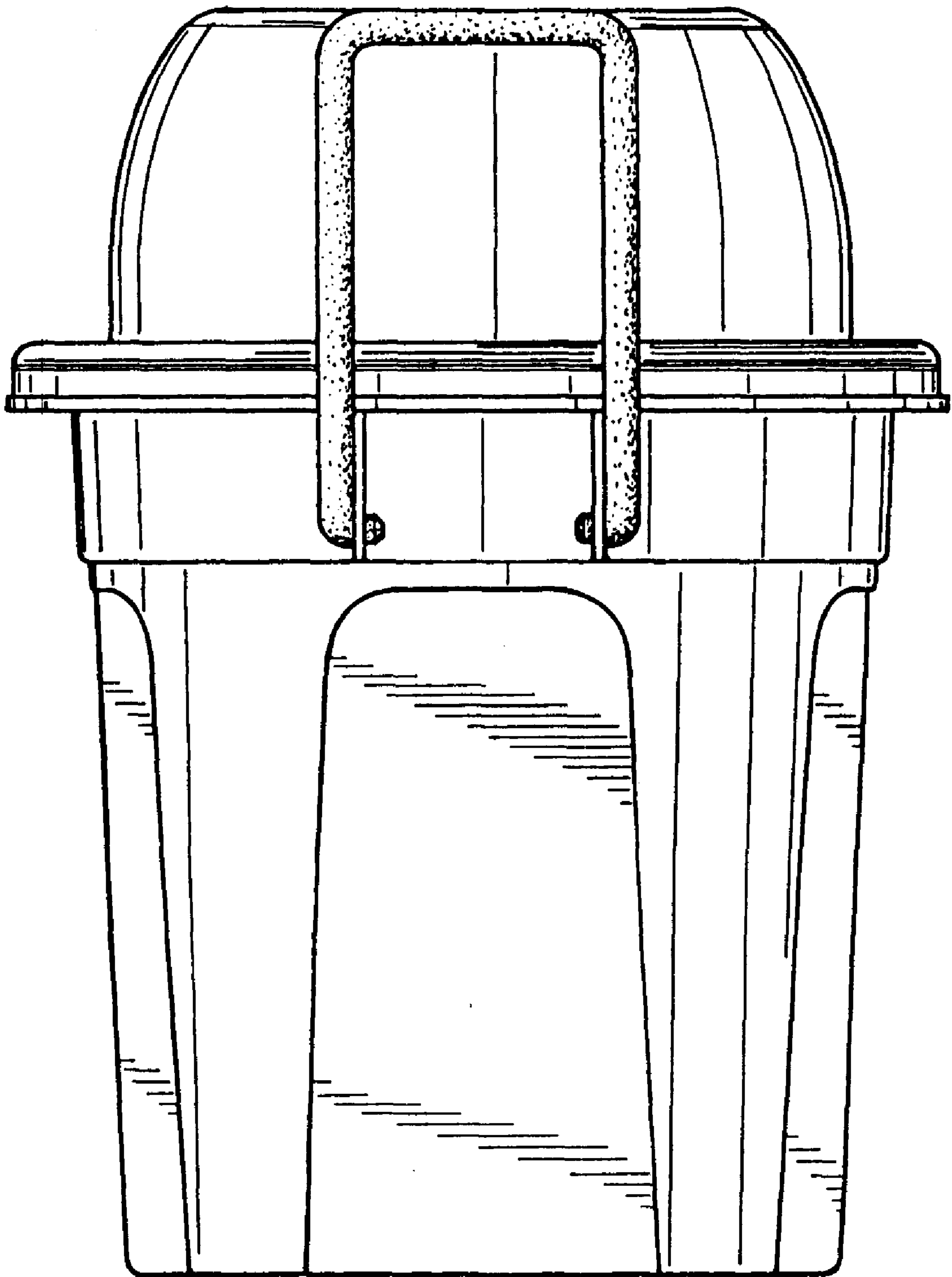


FIG. 3

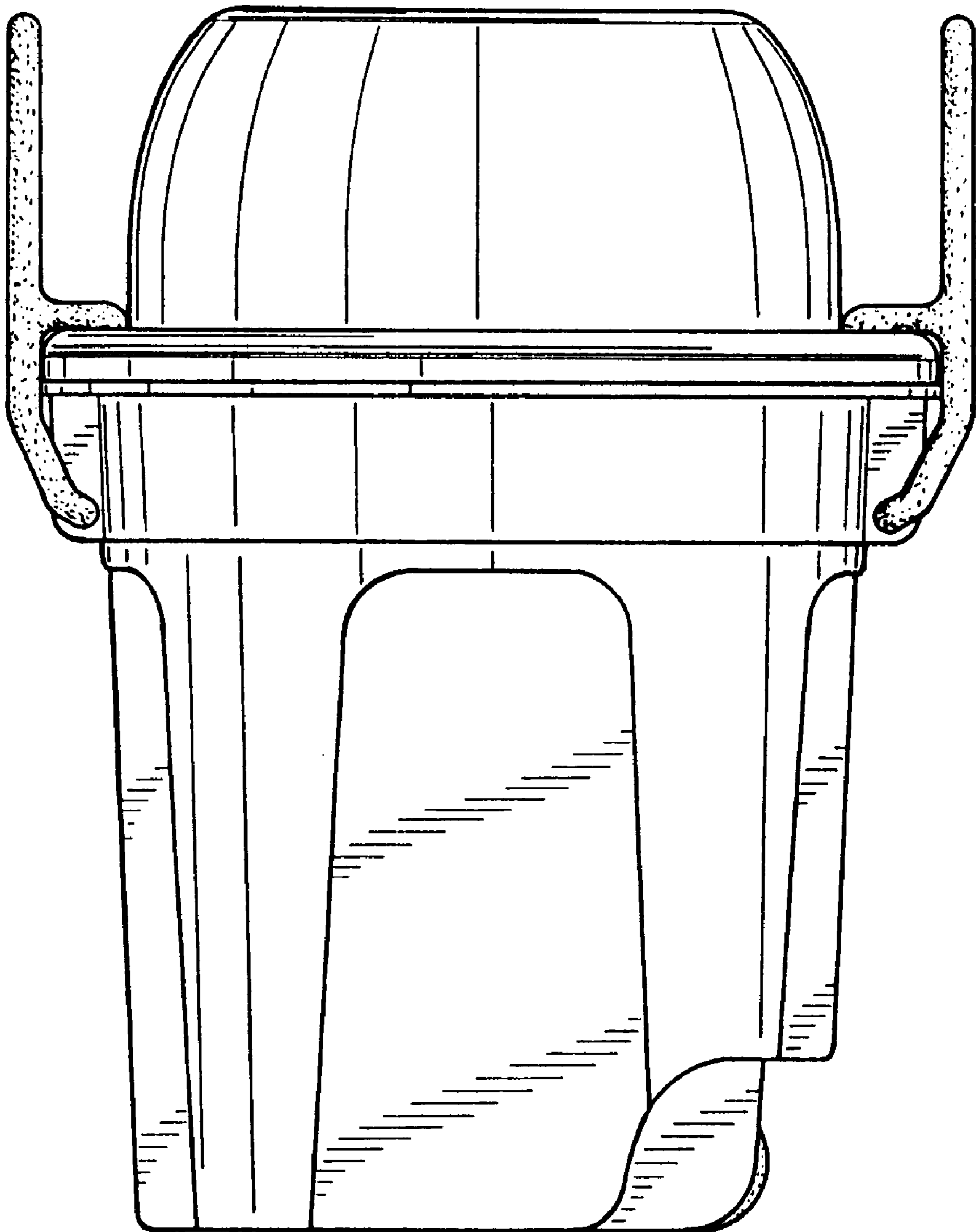


FIG. 4

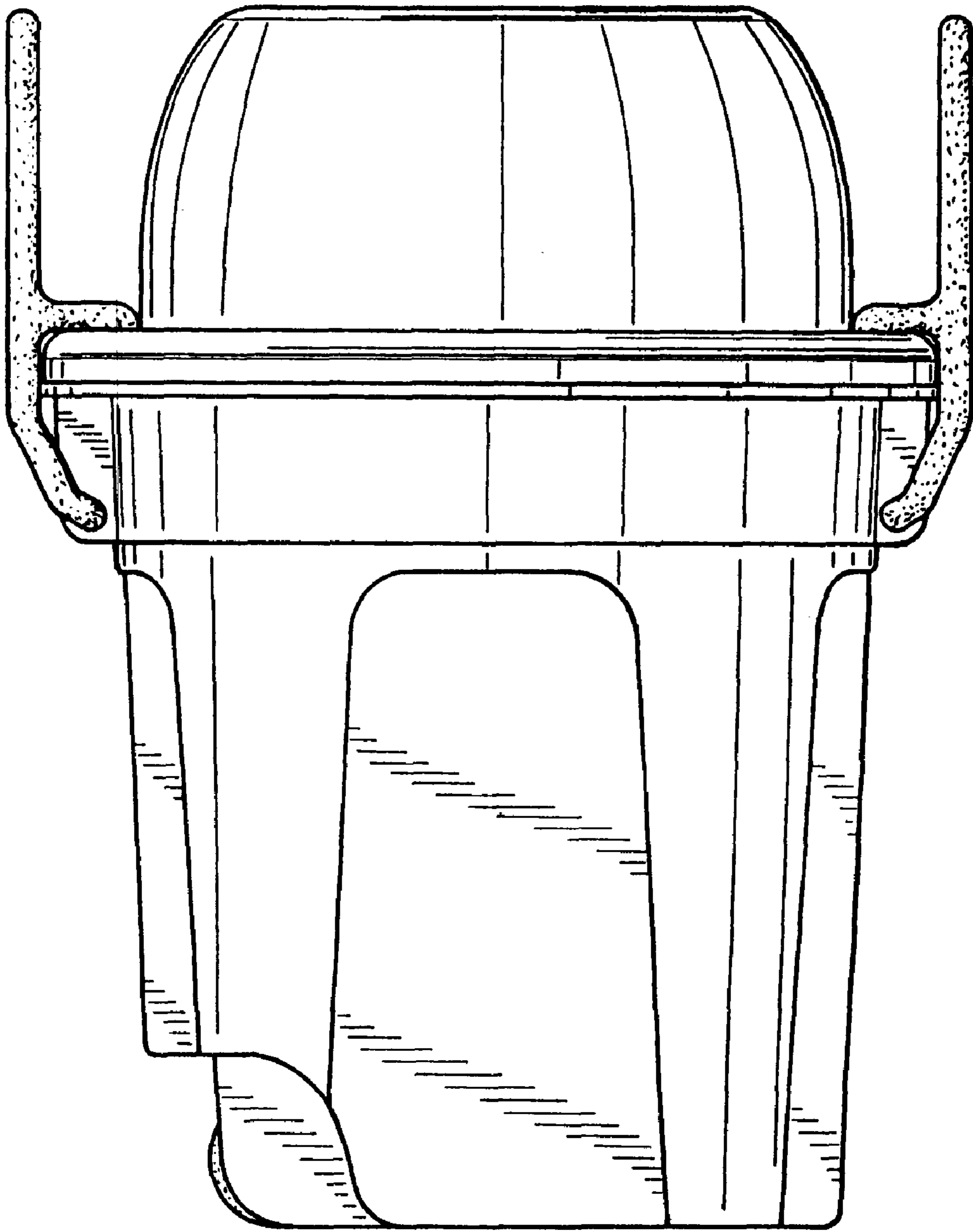


FIG. 5

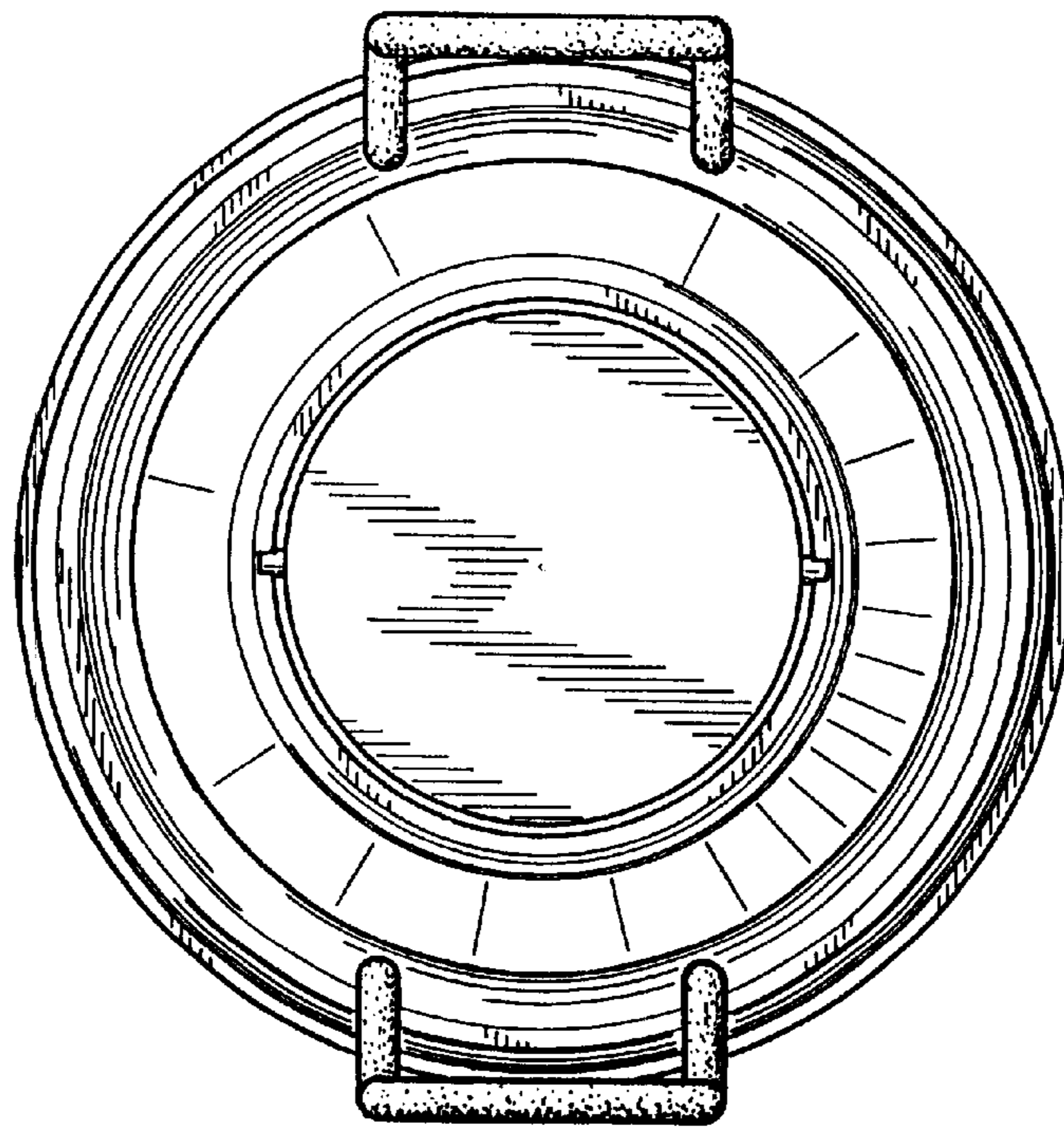


FIG. 6

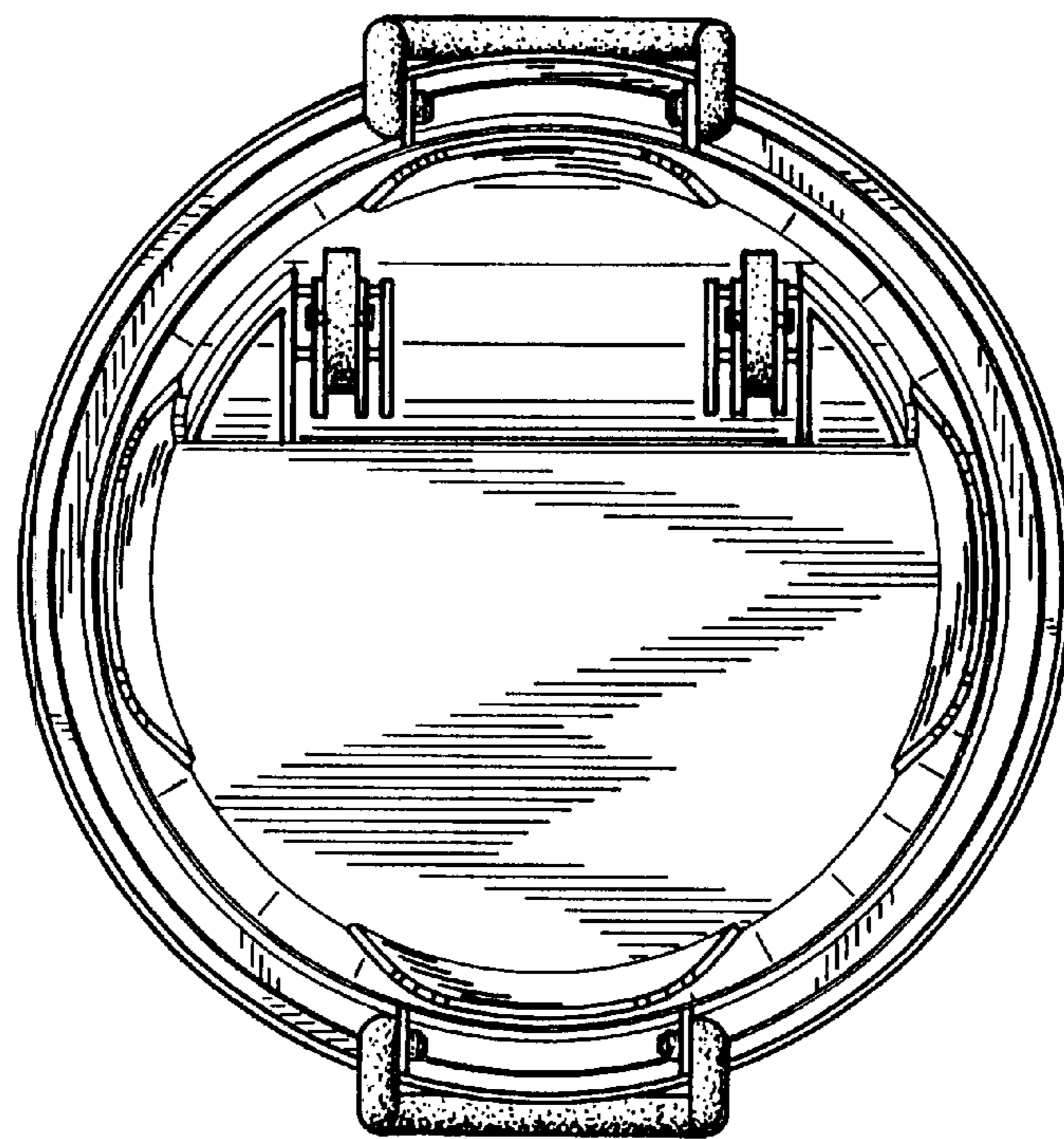


FIG. 7