



US00D465624S

(12) **United States Design Patent**
Kolicheski et al.

(10) **Patent No.:** **US D465,624 S**

(45) **Date of Patent:** **** Nov. 12, 2002**

(54) **NOZZLE SUPPORT**

(75) Inventors: **Paulo Kolicheski**, Rancho Cucamonga, CA (US); **Minh M. Lam**, Fontana, CA (US)

(73) Assignee: **Alfred Kaercher GmbH & Co.**, Winnenden (DE)

(**) Term: **14 Years**

(21) Appl. No.: **29/140,523**

(22) Filed: **Apr. 19, 2001**

(51) **LOC (7) Cl.** **12-02**

(52) **U.S. Cl.** **D32/25**

(58) **Field of Search** D32/15, 16, 25, D32/31, 32, 33; D34/12, 14, 27; D8/71, 373, 380, 381; D7/553.5, 555, 601, 701; D12/400, 406, 407, 415, 416, 419, 425, 223; D6/512, 524, 526, 527, 528, 534, 541, 553, 554, 567, 574; D19/75, 77, 85; D28/73, 38; 15/321-323, 340.2, 246, 246.4, 257.01; 211/13.1, 60.1, 65, 66, 70.1, 72, 73, 70.6, 85.13, 85.18, 86.01, 90.1, 90.4; 248/75, 77, 79, 108, 110, 111, 113, 300, 309.1, 312.1, 315, 316.8, 314

(56) **References Cited**

U.S. PATENT DOCUMENTS

D23,038 S * 2/1894 Wagandt D6/534
1,972,532 A * 9/1934 McMillan 248/111
2,815,863 A * 12/1957 Larson 211/70.1
3,020,577 A * 2/1962 Carabet 15/323
D262,504 S * 1/1982 Flynn D6/574
4,334,621 A * 6/1982 Weber 211/70.3

D340,610 S * 10/1993 Hubbard D6/567
6,276,539 B1 * 8/2001 Richbourg 211/70.8
D447,609 S * 9/2001 Hult et al. D32/31

OTHER PUBLICATIONS

Color photo of Oertzen model 318 Mobll B pressure washer, undated.

* cited by examiner

Primary Examiner—Ted Shooman

Assistant Examiner—C Tuttle

(74) *Attorney, Agent, or Firm*—Barry R. Lipsitz

(57) **CLAIM**

The ornamental design for a nozzle support, as shown and described.

DESCRIPTION

FIG. 1 is a front perspective view of the design with broken lines depicting an example environment related to the design;

FIG. 2 is a front and right side perspective view showing the design;

FIG. 3 is a top plan view of the design;

FIG. 4 is a front elevational view of the design with broken lines depicting an example environment related to the design in which inserted nozzles are shown;

FIG. 5 is a right side view of the design, the left side being a mirror image of the right side;

FIG. 6 is a rear elevational view of the design; and,

FIG. 7 is a bottom plan view of the design.

The broken line showing of the environmental structure in FIGS. 1 and 4 is for illustrative purposes only and forms no part of the claimed design.

1 Claim, 3 Drawing Sheets

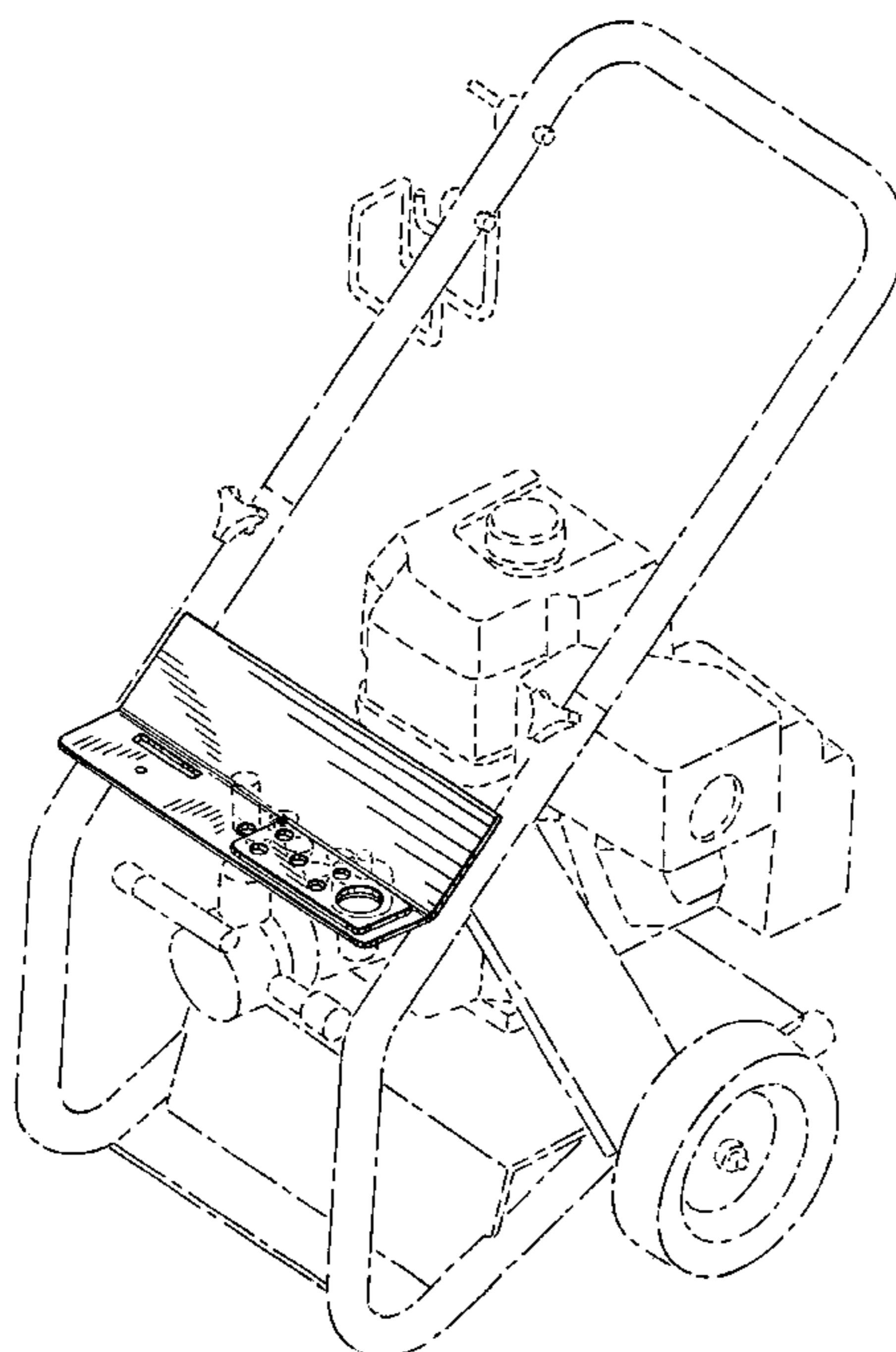
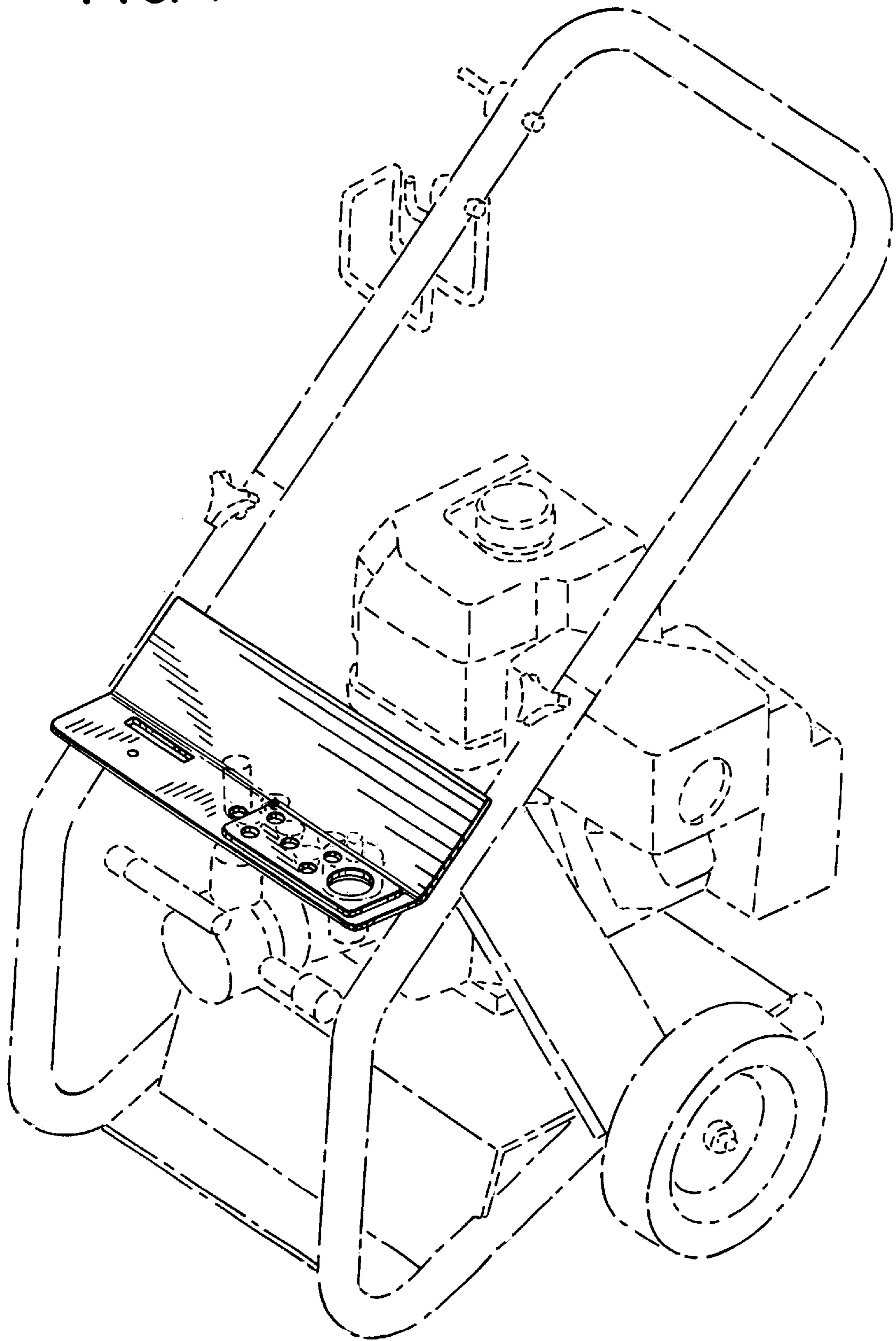


FIG. 1



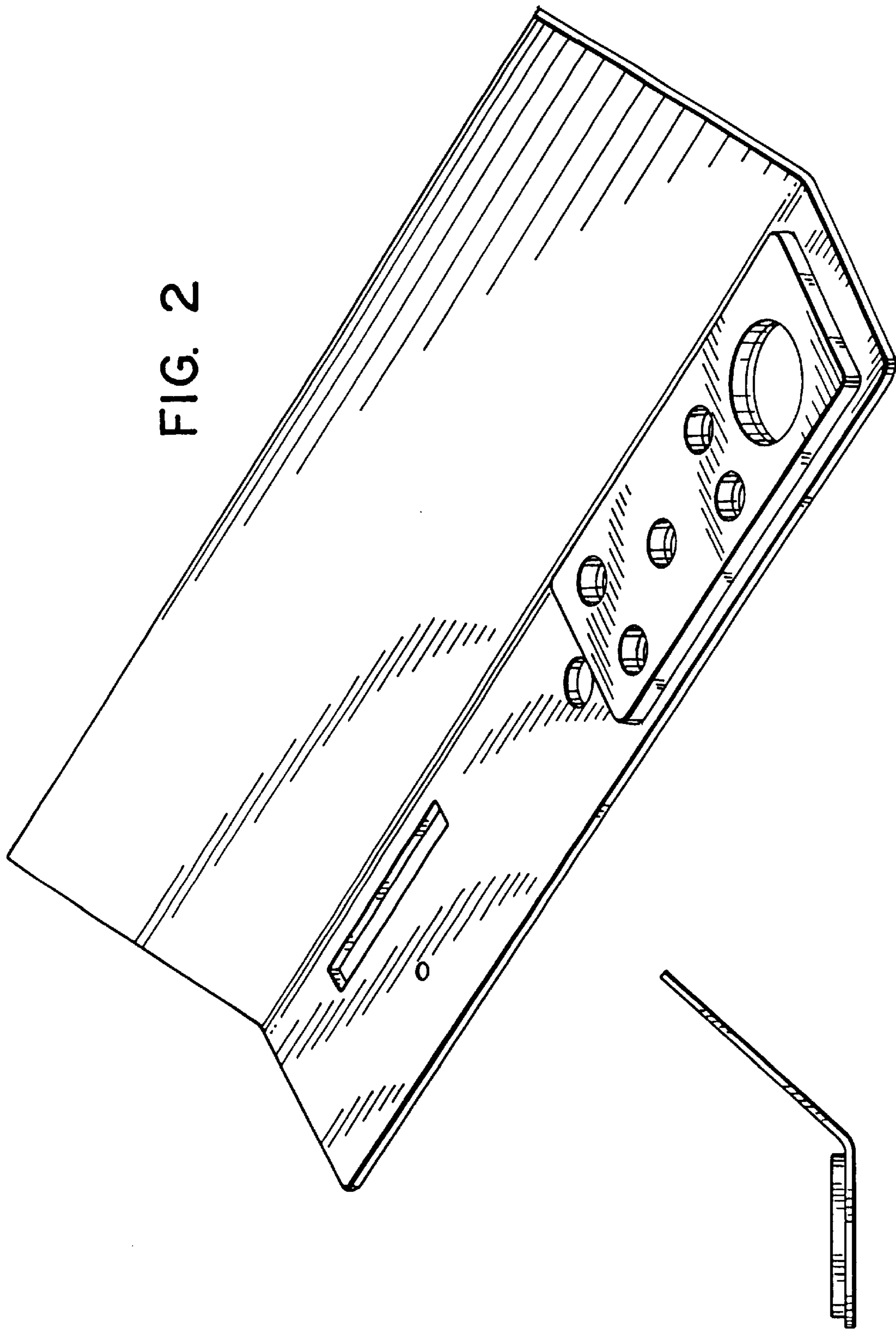


FIG. 2

FIG. 5

FIG. 3

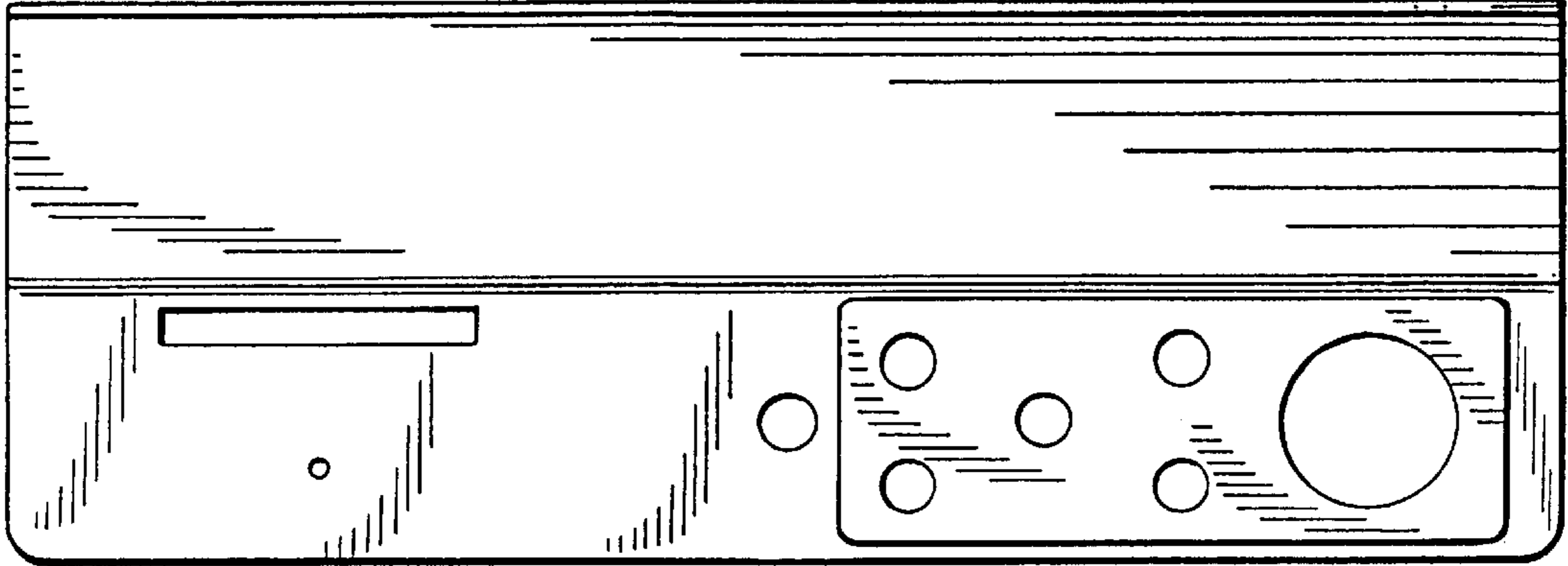


FIG. 4

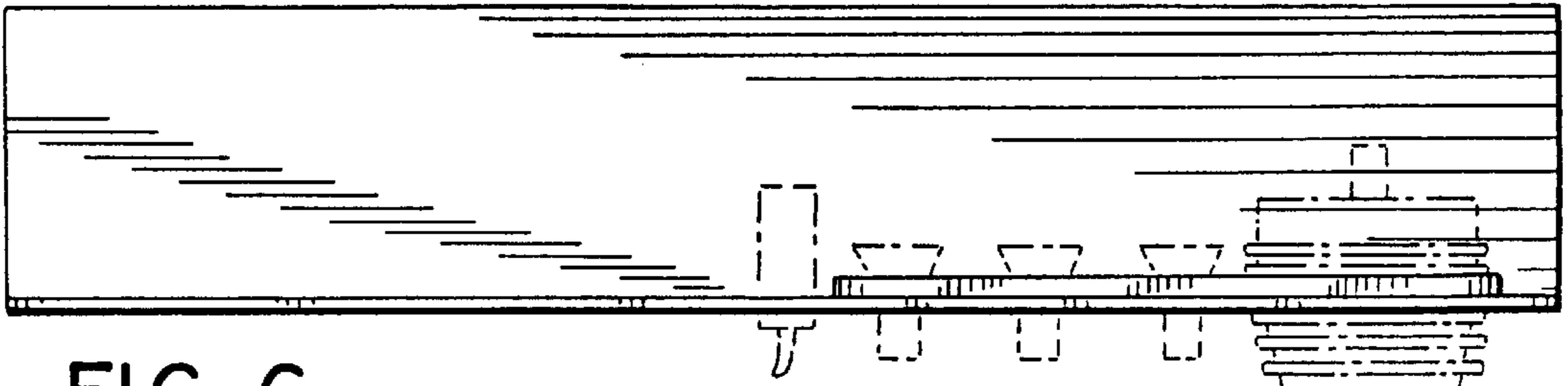


FIG. 6

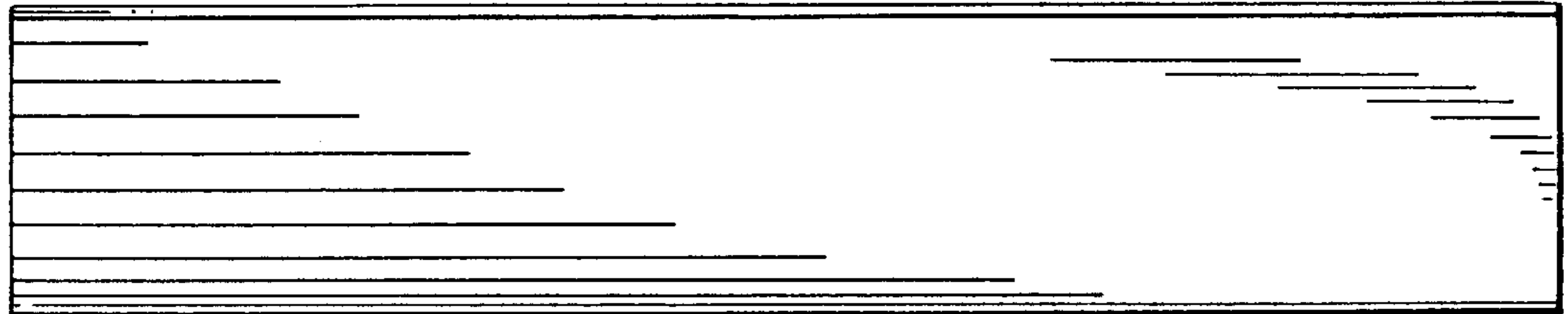


FIG. 7

