



US00D465620S

(12) **United States Design Patent**
Stepp

(10) **Patent No.:** **US D465,620 S**

(45) **Date of Patent:** **** Nov. 12, 2002**

(54) **PET SEAT**

(76) **Inventor:** **Mary Ann Stepp**, 1210 Roe Ford Rd.,
Greenville, SC (US) 29617

(**) **Term:** **14 Years**

(21) **Appl. No.:** **29/147,162**

(22) **Filed:** **Aug. 23, 2001**

(51) **LOC (7) Cl.** **30-06**

(52) **U.S. Cl.** **D30/118; 119/28.5**

(58) **Field of Search** D30/108, 109,
D30/118, 119, 161; 119/28.5, 161-170,
496-498, 482, 484-485, 110, 537, 706,
500; D6/385-388, 598, 506, 505, 382,
393-394; 5/907, 675, 665, 678

(56) **References Cited**

U.S. PATENT DOCUMENTS

| | | | | | | |
|-----------|---|---|---------|---------------|-------|----------|
| 3,125,663 | A | * | 3/1964 | Hoffman | | 119/28.5 |
| D294,752 | S | * | 3/1988 | Palier | | D30/118 |
| D294,901 | S | * | 3/1988 | Partin | | D6/387 |
| D338,744 | S | * | 8/1993 | Marlon et al. | | D30/118 |
| D376,447 | S | * | 12/1996 | Stump | | D30/144 |
| D379,682 | S | * | 6/1997 | Rafaat | | D30/118 |
| 5,860,389 | A | * | 1/1999 | Caldwell | | 119/28.5 |
| 5,960,739 | A | * | 10/1999 | Storm | | 119/28.5 |

| | | | | | | |
|-----------|----|---|---------|--------------|-------|----------|
| 5,992,348 | A | * | 11/1999 | Harding | | 119/28.5 |
| D431,695 | S | * | 10/2000 | Burt | | D30/118 |
| D435,943 | S | * | 1/2001 | Dixson | | D30/118 |
| 6,209,486 | B1 | * | 4/2001 | Reynolds | | 119/28.5 |
| D443,733 | S | * | 6/2001 | Trahd-Morris | | D30/118 |
| 6,338,314 | B1 | * | 1/2002 | Widrich | | 119/28.5 |

* cited by examiner

Primary Examiner—Cathy Anne MacCormac

(74) *Attorney, Agent, or Firm*—Charles L. Schwab; Nexsen
Pruet Jacobs & Pollard, LLC

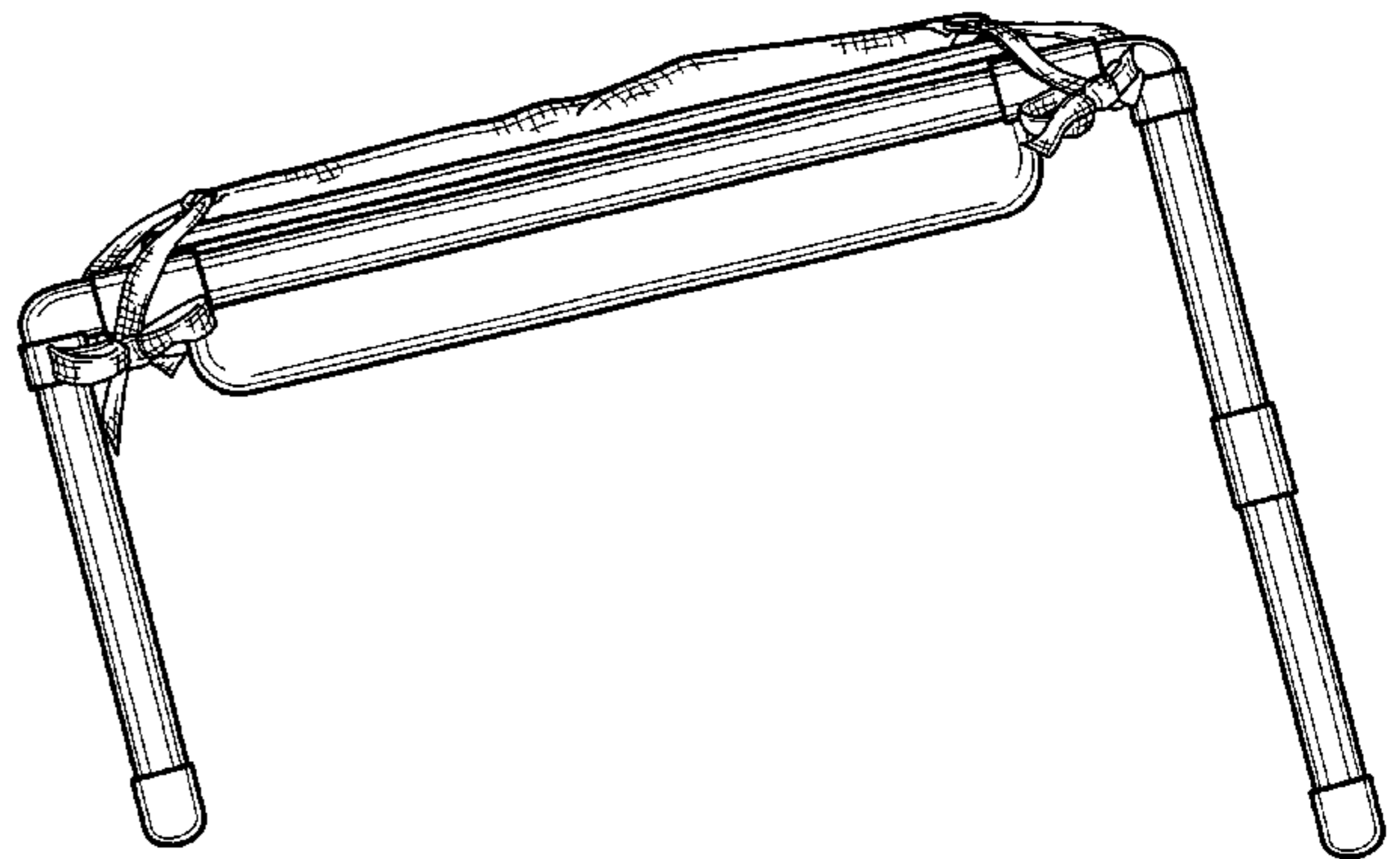
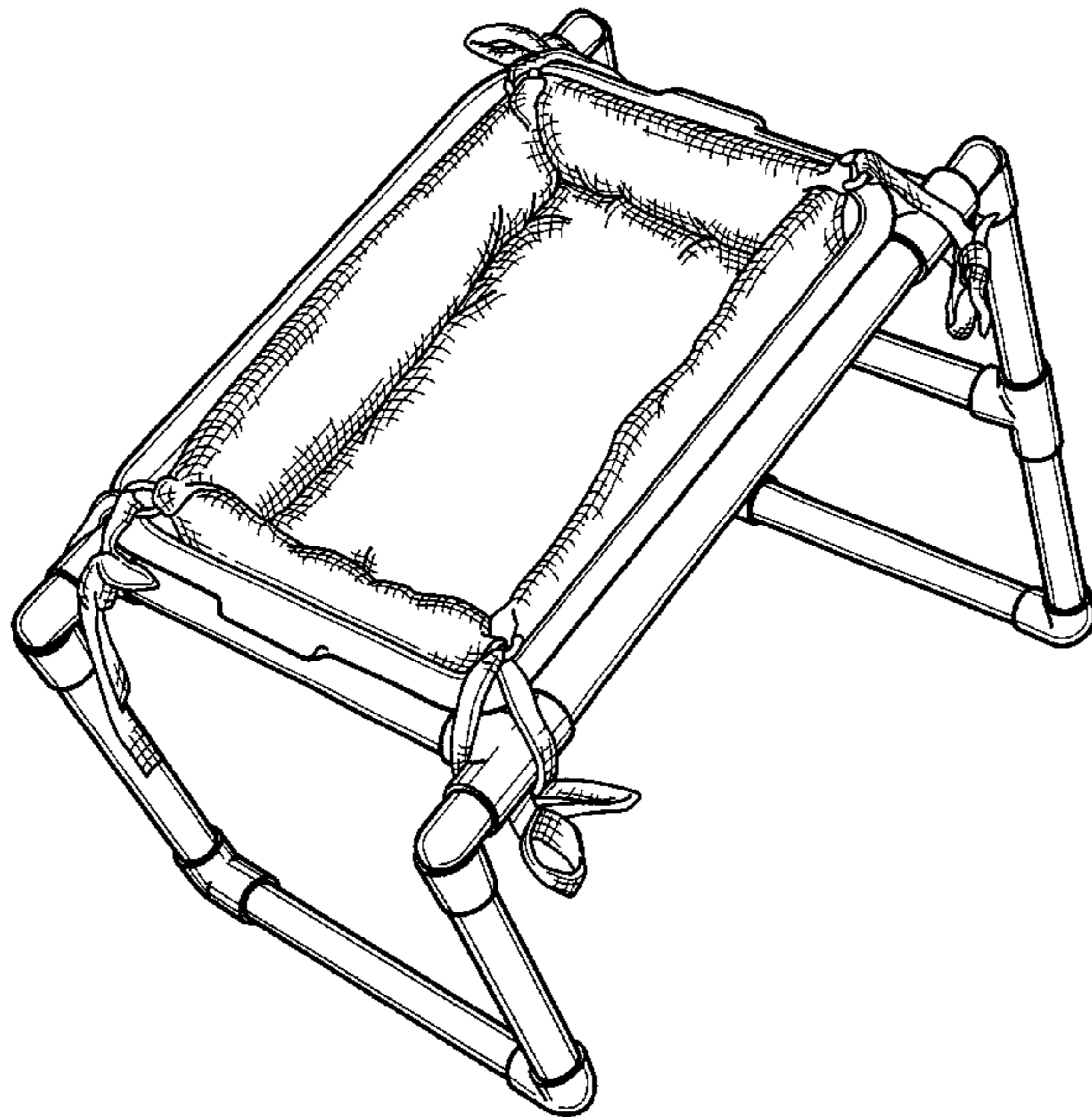
(57) **CLAIM**

The ornamental design for a pet seat, as shown and described.

DESCRIPTION

FIG. 1 is a perspective view of a pet seat;
 FIG. 2 is a side view of one side of the pet seat shown in FIG. 1;
 FIG. 3 is a side view of the other side of the pet seat shown in FIG. 1;
 FIG. 4 is a view of one end of the pet seat shown in FIG. 1;
 FIG. 5 is a view of the other end of the pet seat shown in FIG. 1;
 FIG. 6 is a top view of the pet seat shown in FIG. 1; and,
 FIG. 7 is a bottom view of the pet seat shown in FIG. 1.

1 Claim, 4 Drawing Sheets



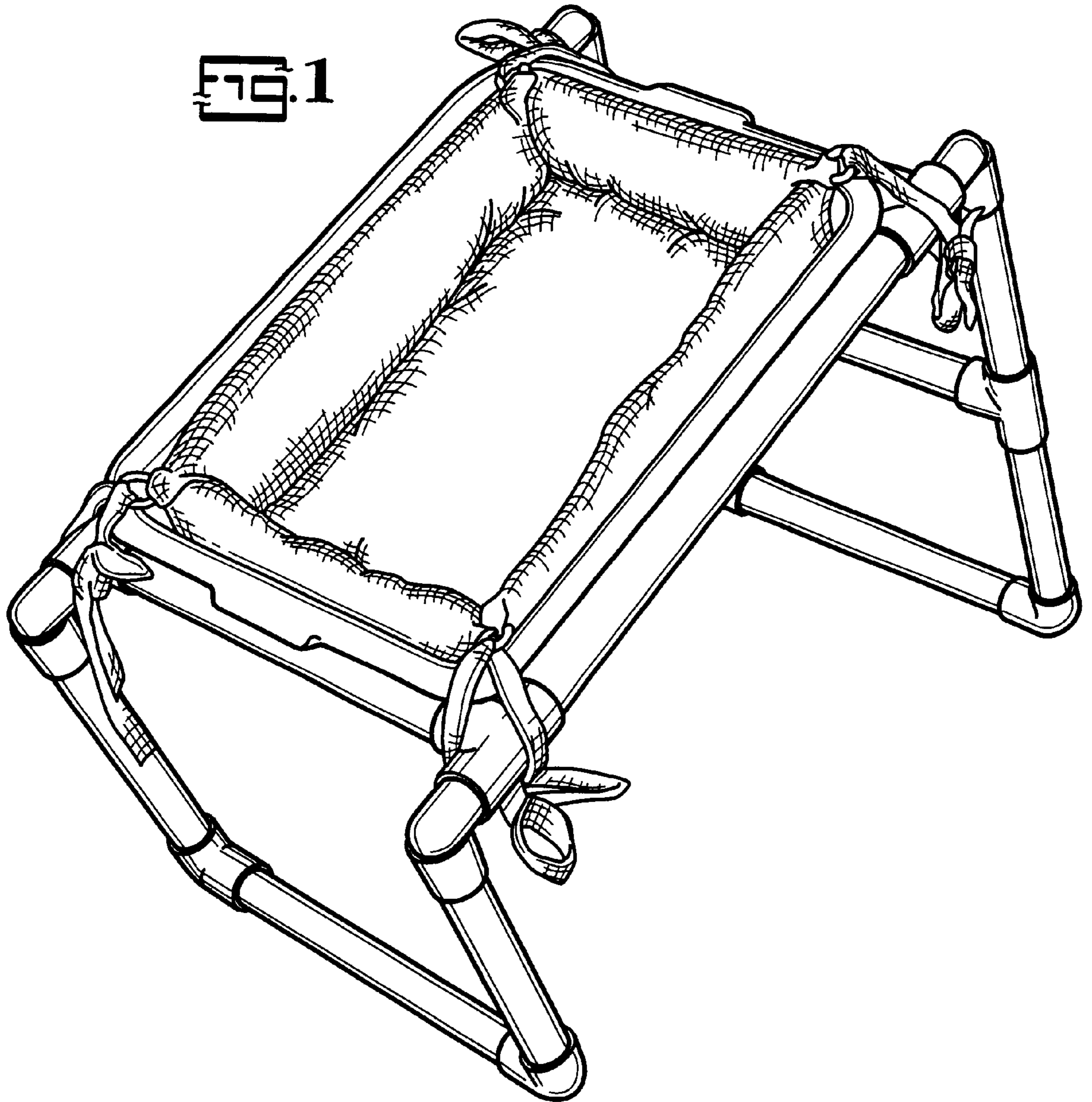


FIG. 2

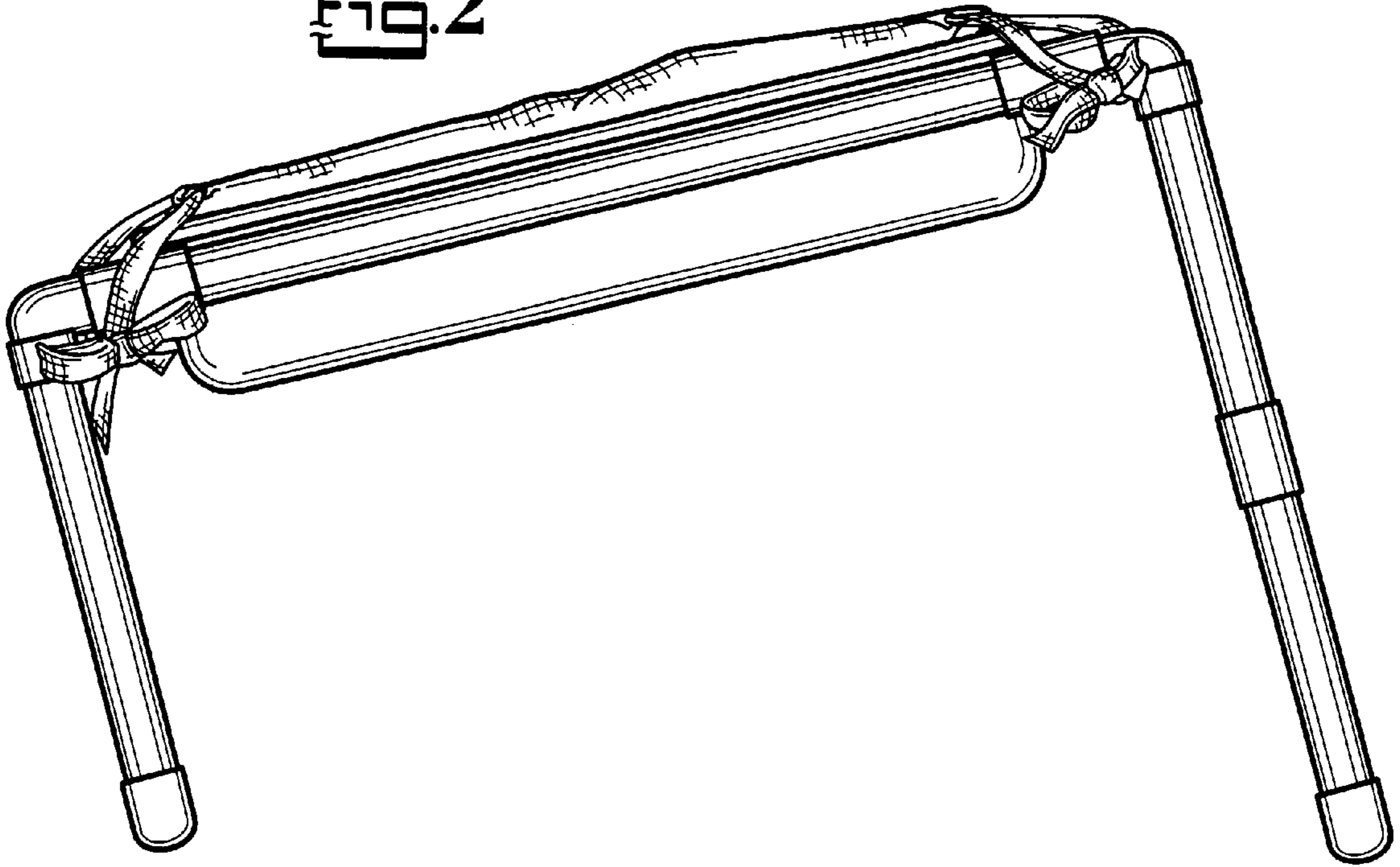
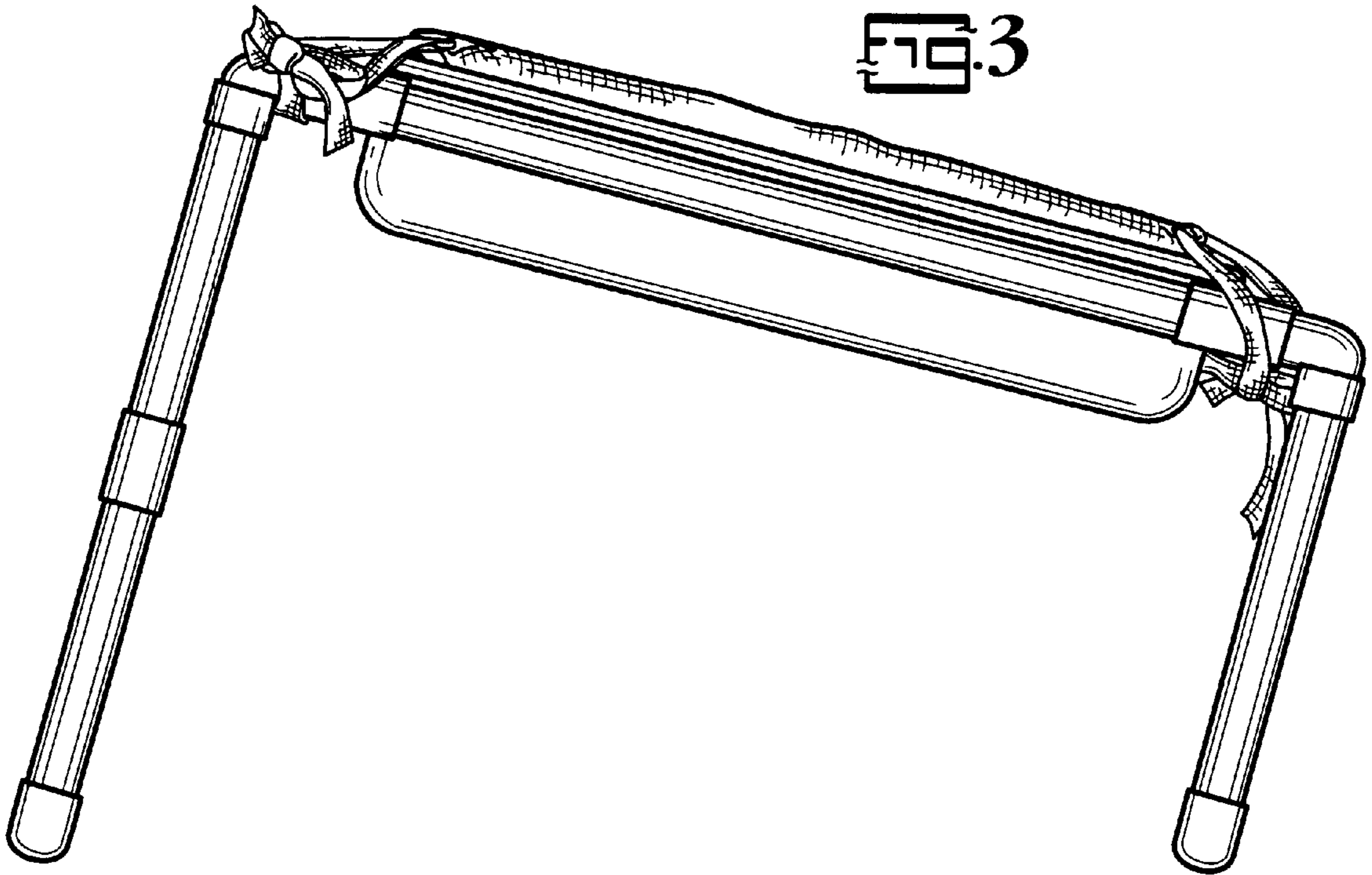


FIG. 3



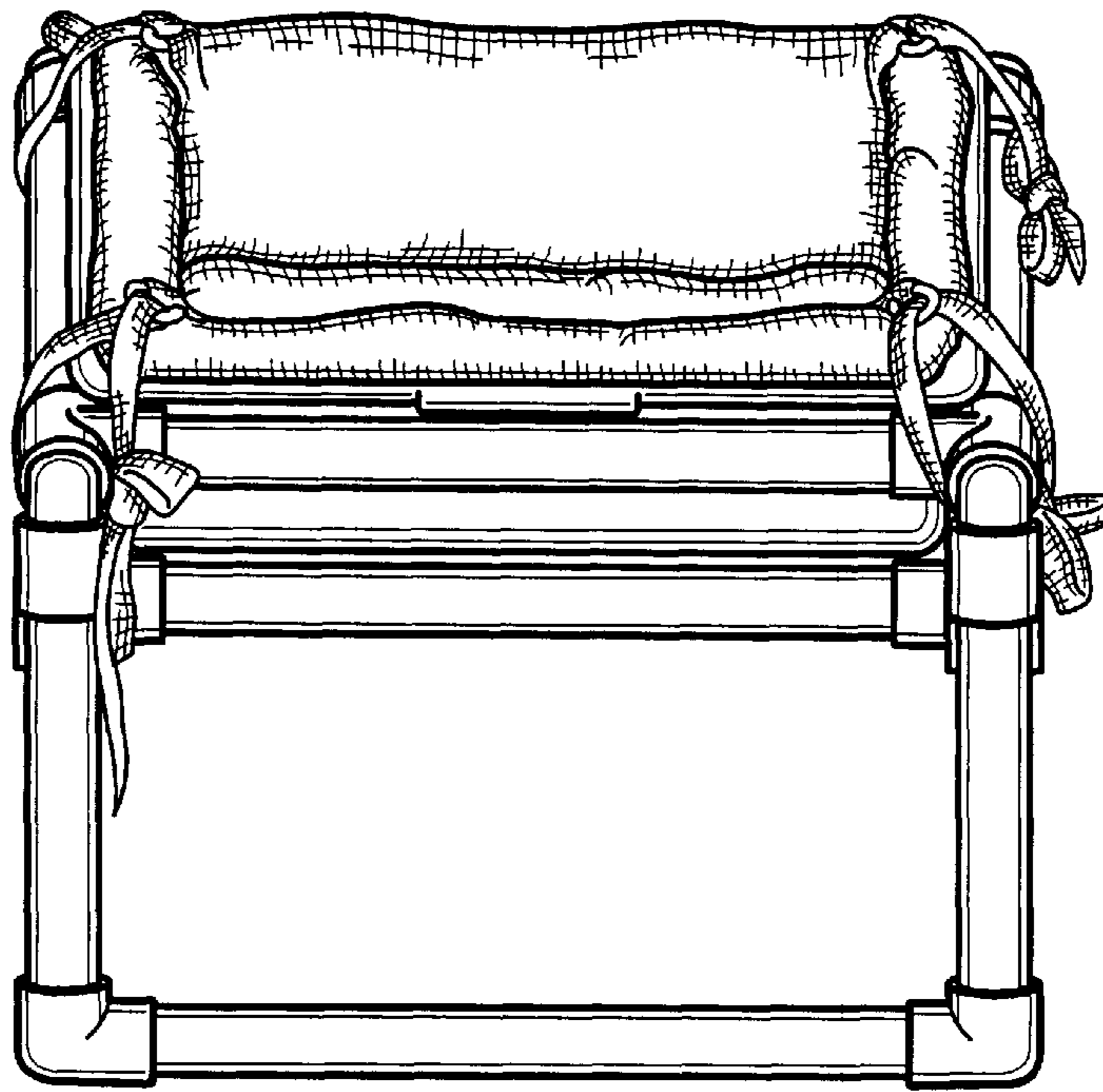


FIG. 4

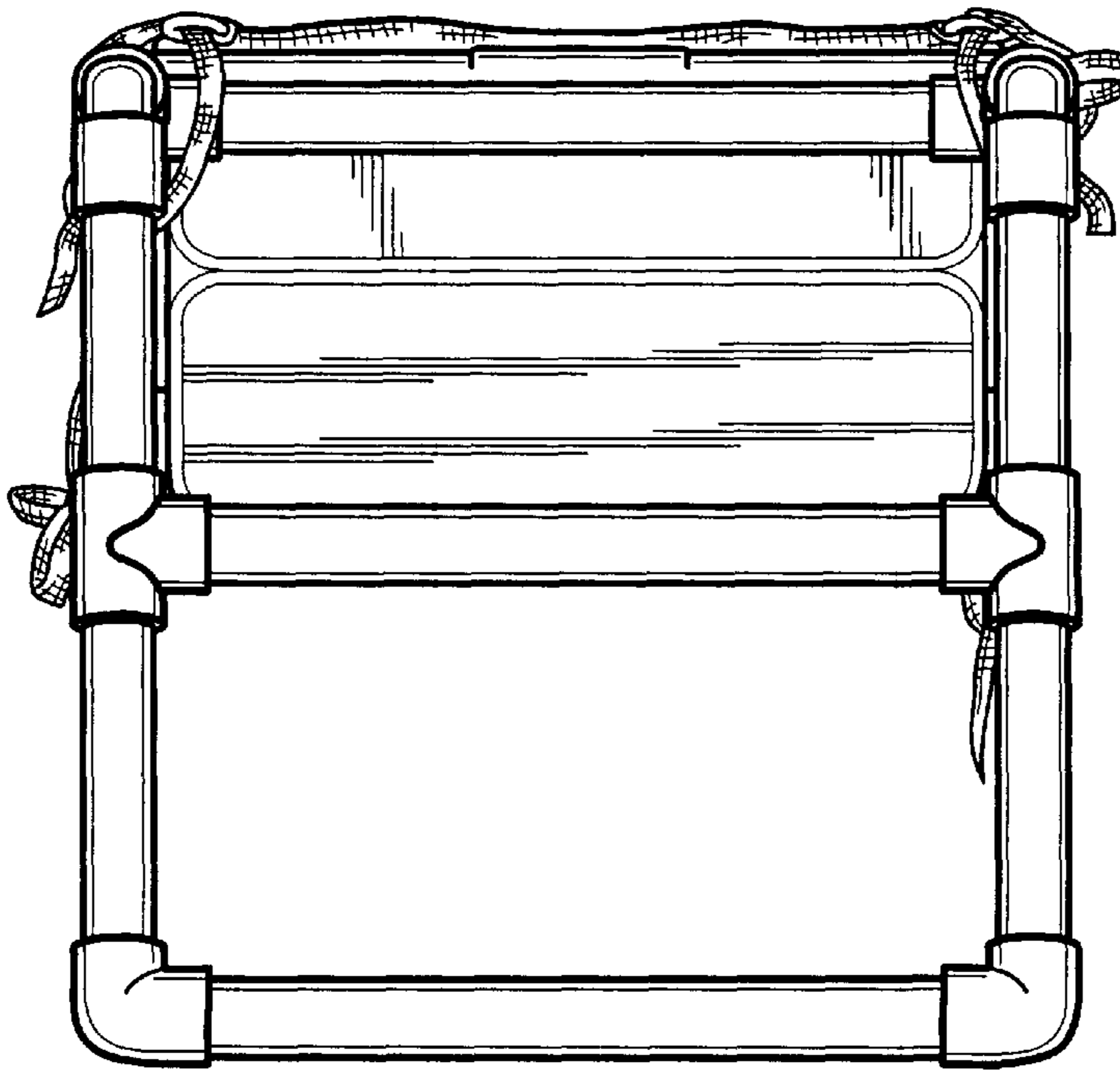


FIG. 5

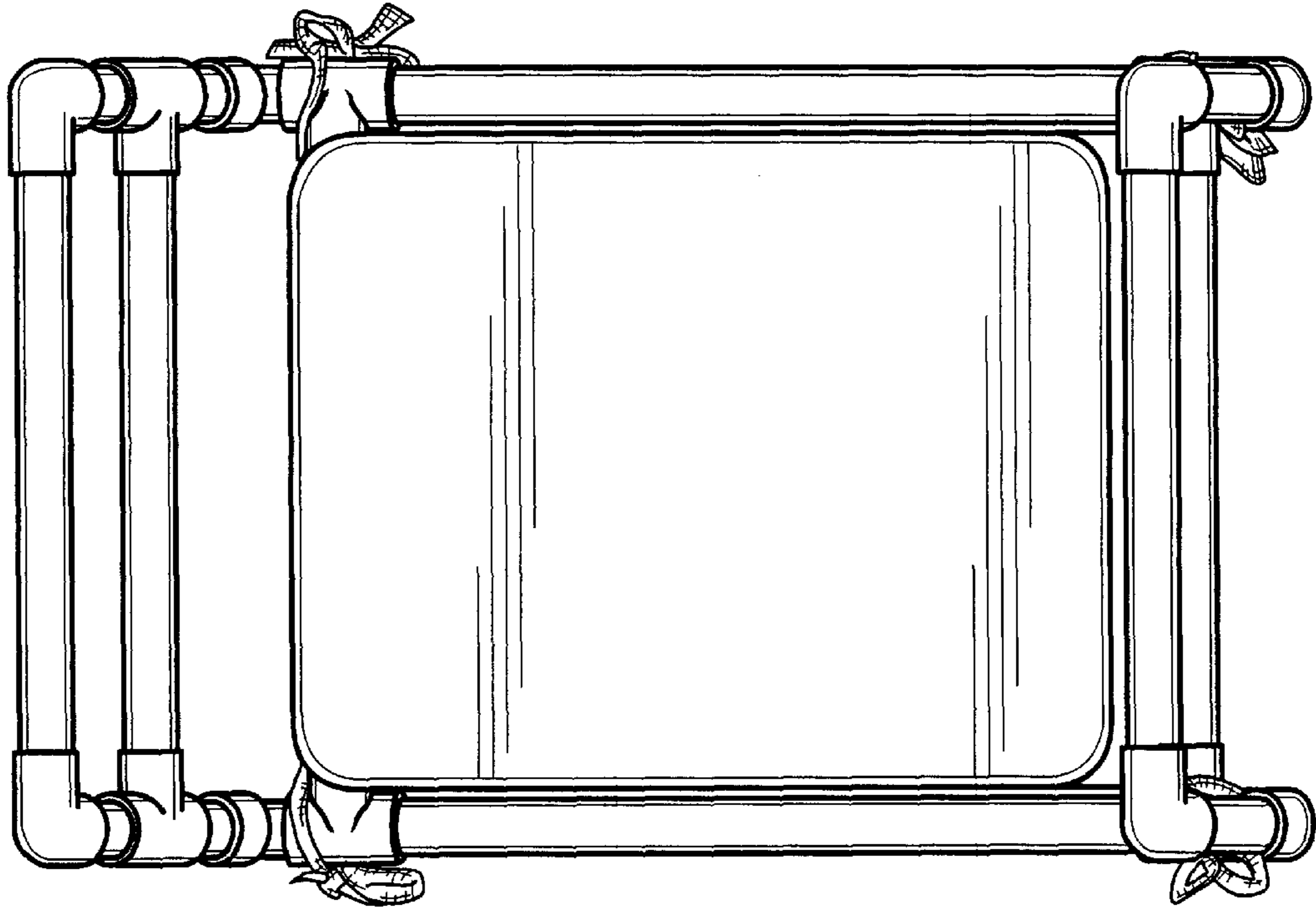


FIG. 7

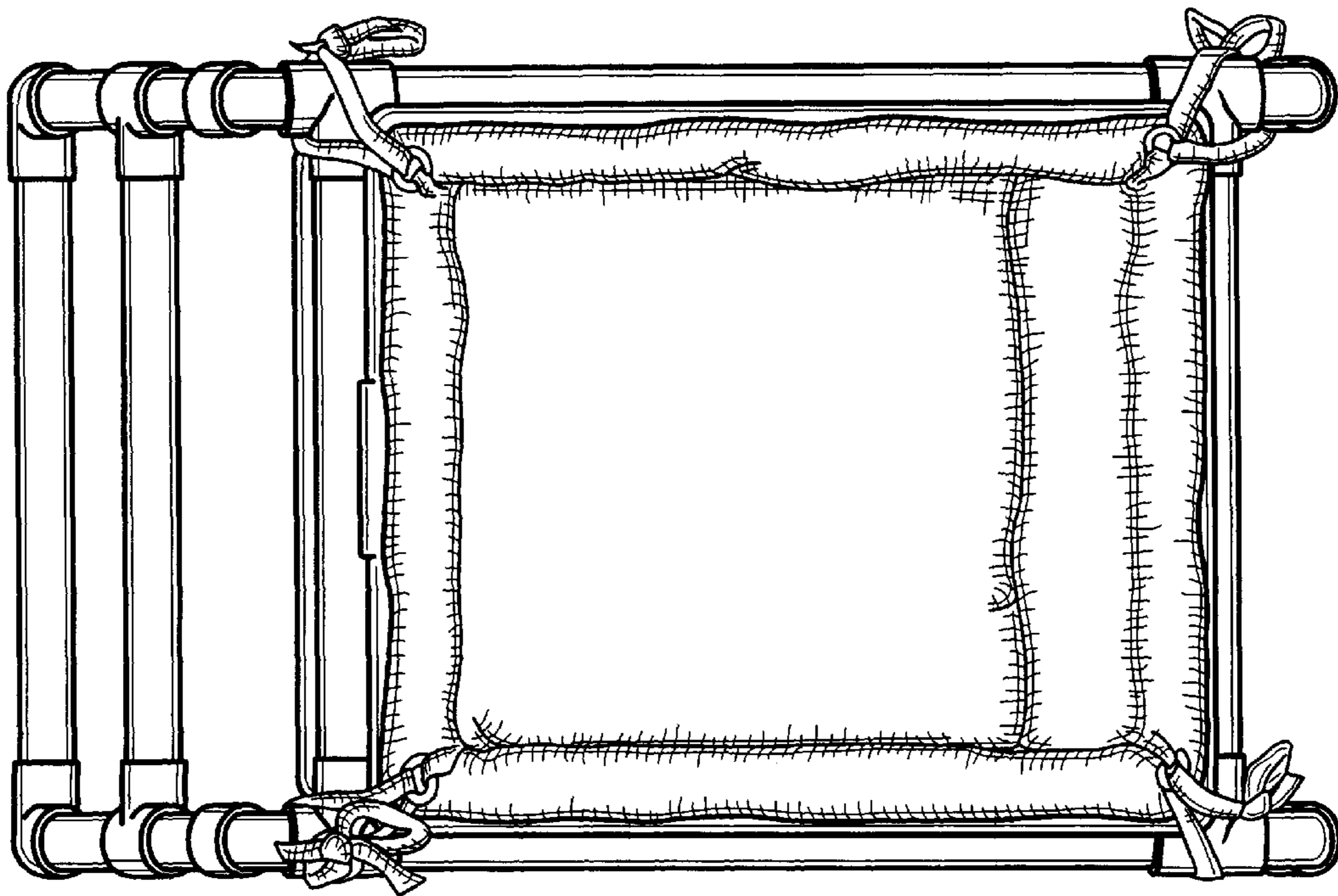


FIG. 6