



US00D465611S

(12) **United States Design Patent**  
**Tobin et al.**

(10) **Patent No.:** **US D465,611 S**

(45) **Date of Patent:** **\*\* Nov. 12, 2002**

(54) **HOT AIR HAIR STRAIGHTENER ATTACHMENT**

(75) Inventors: **Richard Neil Tobin**, Stamford, CT (US); **Jong Sik Sim**, Rye, NY (US)

(73) Assignee: **Conair Corporation**, Stamford, CT (US)

(\*\*) Term: **14 Years**

(21) Appl. No.: **29/135,467**

(22) Filed: **Jan. 12, 2001**

(51) **LOC (7) Cl.** ..... **28-03**

(52) **U.S. Cl.** ..... **D28/18; D28/25; D28/29**

(58) **Field of Search** ..... D28/10, 13, 15, D28/18, 21, 24, 25, 26, 28, 29, 30, 35; 132/271, 142, 126, 139, 117, 118, 226-229, 269, 272; 34/96, 97, 98, 101; 219/222, 225; D4/128, 114, 116, 100, 102, 133; 392/383, 384

(56) **References Cited**

**U.S. PATENT DOCUMENTS**

|             |   |         |                 |         |
|-------------|---|---------|-----------------|---------|
| 3,990,460 A | * | 11/1976 | Shalvoy         | 132/226 |
| 4,197,608 A |   | 4/1980  | Holley et al.   | 15/27   |
| 4,314,137 A |   | 2/1982  | Dörn et al.     | 219/222 |
| 4,329,567 A |   | 5/1982  | Kunz et al.     | 219/222 |
| D270,954 S  | * | 10/1983 | Mizobata et al. | D28/35  |
| 4,419,565 A |   | 12/1983 | McGaw           | 219/222 |

|             |   |         |                 |          |
|-------------|---|---------|-----------------|----------|
| 4,430,808 A | * | 2/1984  | Toyomi et al.   | 34/97    |
| 4,468,554 A |   | 8/1984  | Andis           | 219/222  |
| 4,469,934 A |   | 9/1984  | Isshiki et al.  | 219/222  |
| 4,543,968 A |   | 10/1985 | Fukunaga et al. | 132/33 R |
| 4,641,010 A |   | 2/1987  | Abura et al.    | 219/222  |
| 4,656,684 A |   | 4/1987  | Jewett          | 15/27    |
| D299,279 S  | * | 1/1989  | Reeves et al.   | D28/35   |
| 4,936,027 A |   | 6/1990  | Tsuji           | 34/90    |
| D386,816 S  | * | 11/1997 | Seifert         | D28/18   |
| D389,953 S  | * | 1/1998  | Seifert         | D28/35   |
| D410,766 S  |   | 6/1999  | Rizzuto et al.  | D28/35   |
| D411,334 S  |   | 6/1999  | Rizzuto et al.  | D28/35   |
| 6,029,677 A | * | 2/2000  | Nanba et al.    | 132/272  |
| D422,793 S  | * | 4/2000  | Levin et al.    | D28/25   |
| D430,348 S  | * | 8/2000  | Moreno          | D28/18   |

\* cited by examiner

*Primary Examiner*—Lucy Lieberman

(74) *Attorney, Agent, or Firm*—Ohlandt, Greeley, Ruggiero & Perle, LLP

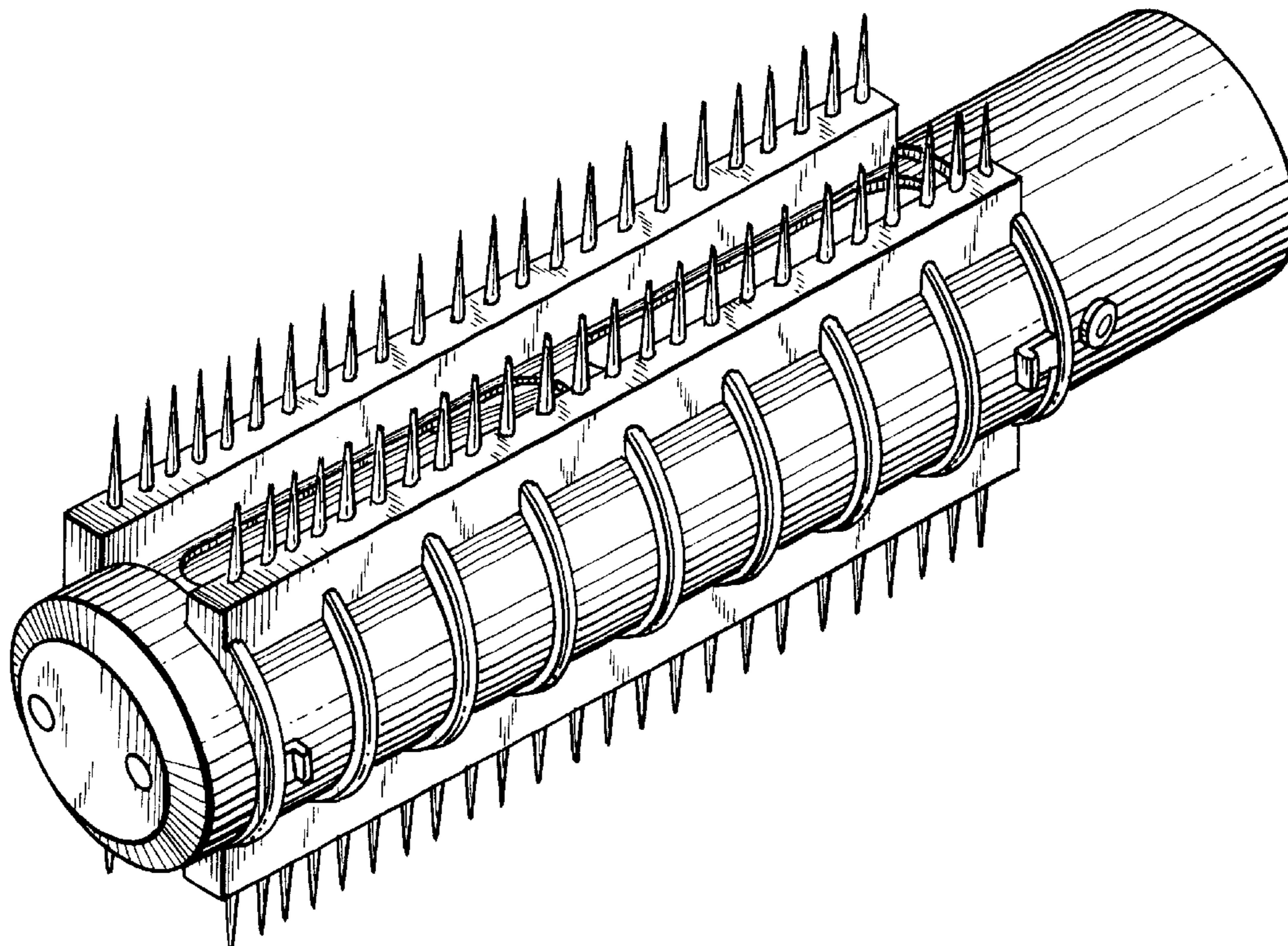
(57) **CLAIM**

The ornamental design for a hot air hair straightener attachment, as shown and described.

**DESCRIPTION**

FIG. 1 is a perspective view of a hot air hair straightener attachment according to the present invention; FIG. 2 is a top plan view thereof; FIG. 3 is a front elevation thereof; and, FIG. 4 is a side elevation thereof.

**1 Claim, 3 Drawing Sheets**



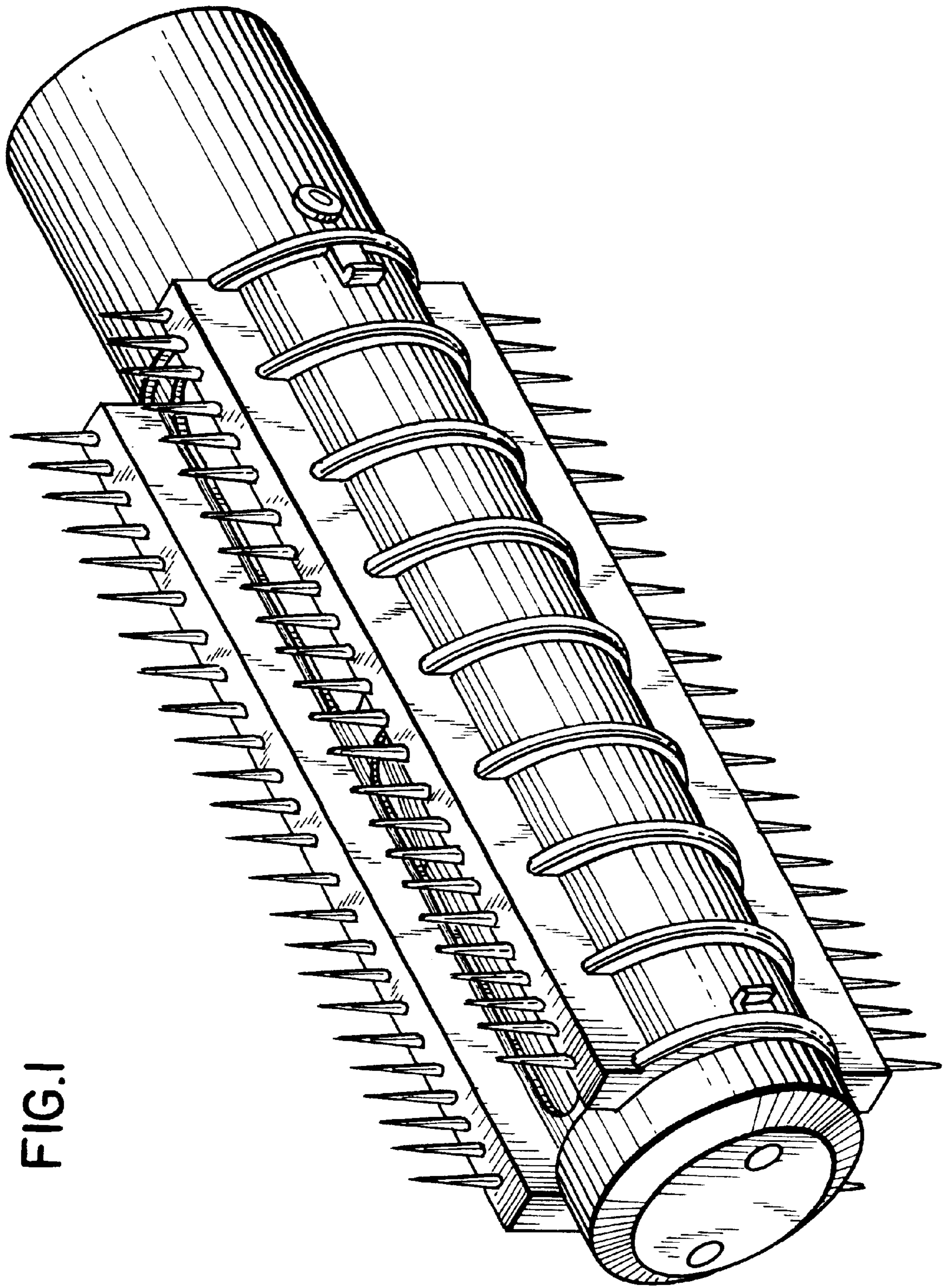


FIG. 1

FIG.2

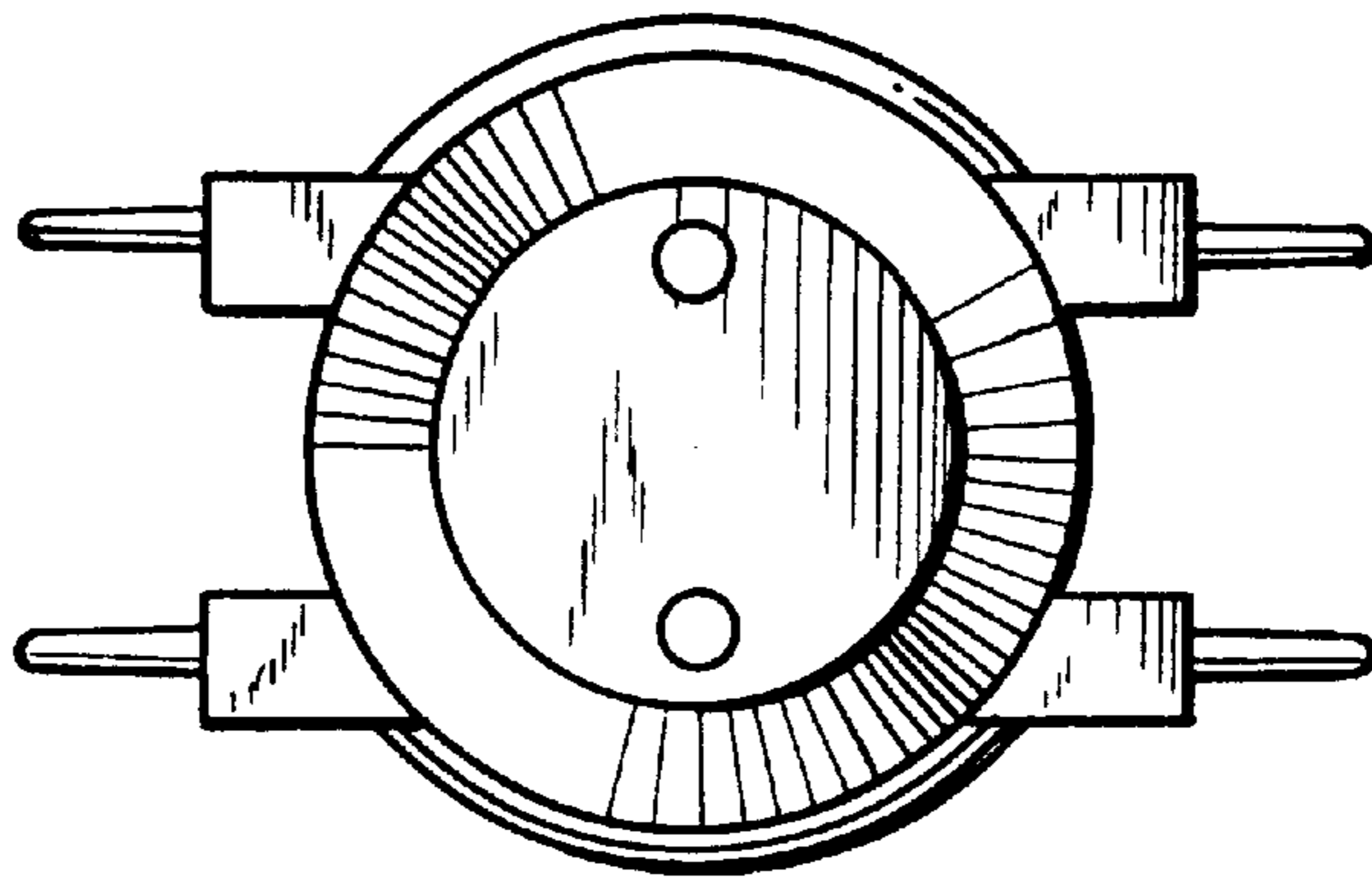


FIG.3

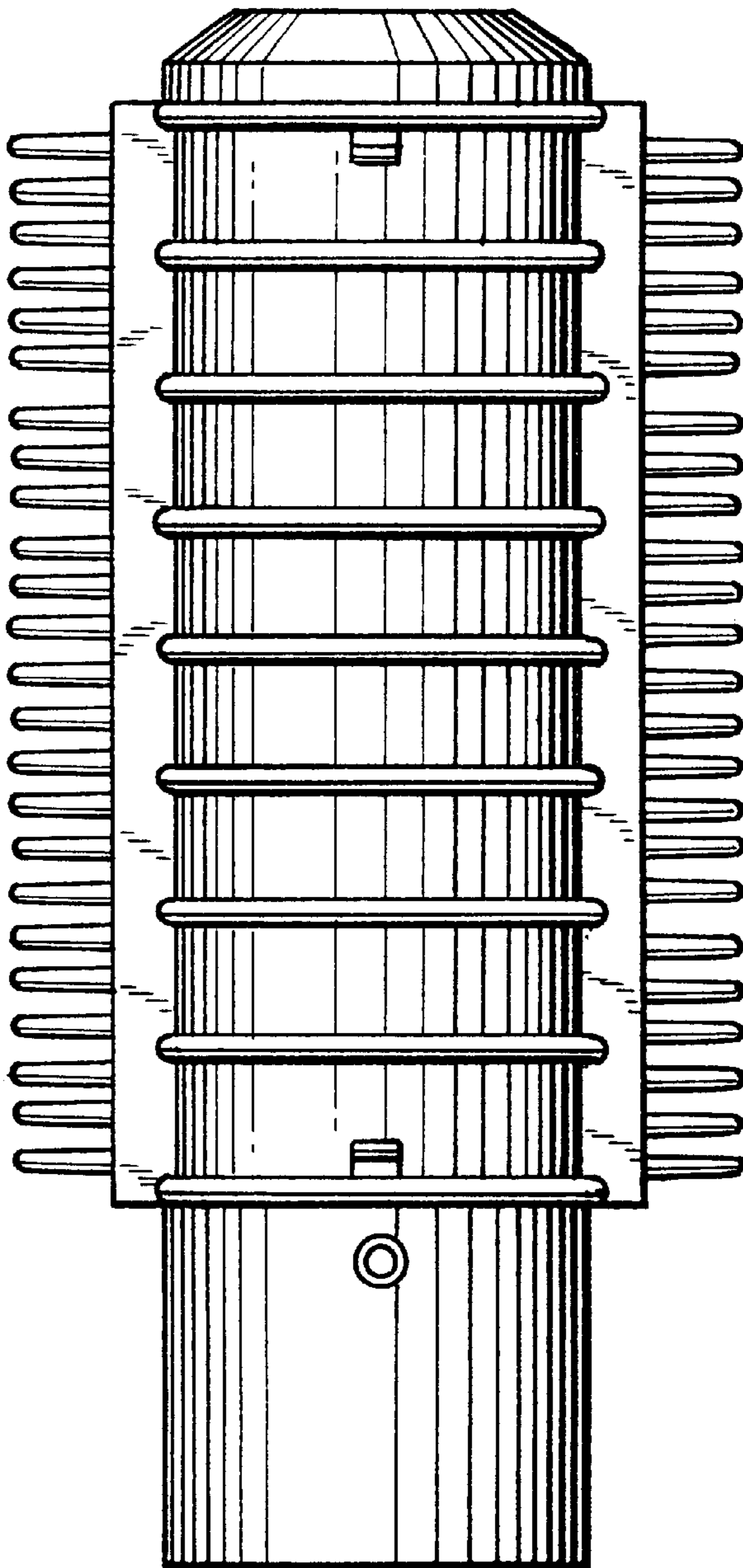


FIG.4

