



US00D465610S

(12) **United States Design Patent**
Graham et al.

(10) **Patent No.: US D465,610 S**

(45) **Date of Patent: ** Nov. 12, 2002**

(54) **STAND FOR USE WITH HAIR STYLING
AND BARBER CHAIR**

(76) Inventors: **Tracy Graham**, 5128 Scenic View Dr.,
Birmingham, AL (US) 35210-2705;
Leann Peak, 3250 Overton Manor Dr.,
Birmingham, AL (US) 35243-5315

(**) Term: **14 Years**

(21) Appl. No.: **29/136,983**

(22) Filed: **Feb. 9, 2001**

(51) **LOC (7) Cl. 28-03**

(52) **U.S. Cl. D28/9; D25/62**

(58) **Field of Search** D25/62-65, 68,
D25/69; D6/329, 330, 349, 355, 382, 396,
403, 409, 449, 480, 481, 485, 490, 491,
495, 501-503, 509, 511, 555, 567, 574,
582, 583, 592, 595, 596, 601, 610; D28/9,
10, 44; 182/82, 90, 92, 179.1, 222; 52/182-184;
4/254, 902, 580-583, 515, 516, 523; 5/417,
419, 420; 297/136, 182, 188.01, 217.1,
217.7, 423.1, 423.11, 423.14, 423.15, 423.16,
423.39, 423.41; 248/633, 632, 127, 176.1,
346.01

(56) **References Cited**

U.S. PATENT DOCUMENTS

| | | | | | | |
|-----------|---|---|---------|----------------|-------|--------|
| 1,505,558 | A | * | 8/1924 | Grabowski | | 5/402 |
| 2,057,162 | A | * | 10/1936 | Richey | | 428/77 |
| 2,449,385 | A | * | 9/1948 | Johnson et al. | | 433/33 |
| D198,076 | S | * | 4/1964 | Sgroi | | D25/69 |
| D253,985 | S | * | 1/1980 | Bond | | D6/583 |

| | | | | | | |
|----------|---|---|--------|--------------|-------|--------|
| D297,789 | S | * | 9/1988 | Stepien | | D6/349 |
| D318,575 | S | * | 7/1991 | Applebaum | | D6/333 |
| D332,718 | S | * | 1/1993 | Wolfe, III | | D6/574 |
| D408,555 | S | * | 4/1999 | Albrecht | | D25/65 |
| D429,101 | S | * | 8/2000 | Smith et al. | | D6/511 |

* cited by examiner

Primary Examiner—Ted Shooman

Assistant Examiner—C. Tuttle

(74) *Attorney, Agent, or Firm*—Robert M. Jackson; Robert
J. Veal; Burr & Forman LLP

(57) **CLAIM**

The ornamental design for a stand for use with hair styling
and barber chair, as shown and described.

DESCRIPTION

FIG. 1 is a perspective view of the preferred embodiment of
a stand for use with a hair styling and barber chair our new
design;

FIG. 2 is a reduced scale top plan view, the bottom plan view
being a mirror image thereof;

FIG. 3 is a front elevational view thereof;

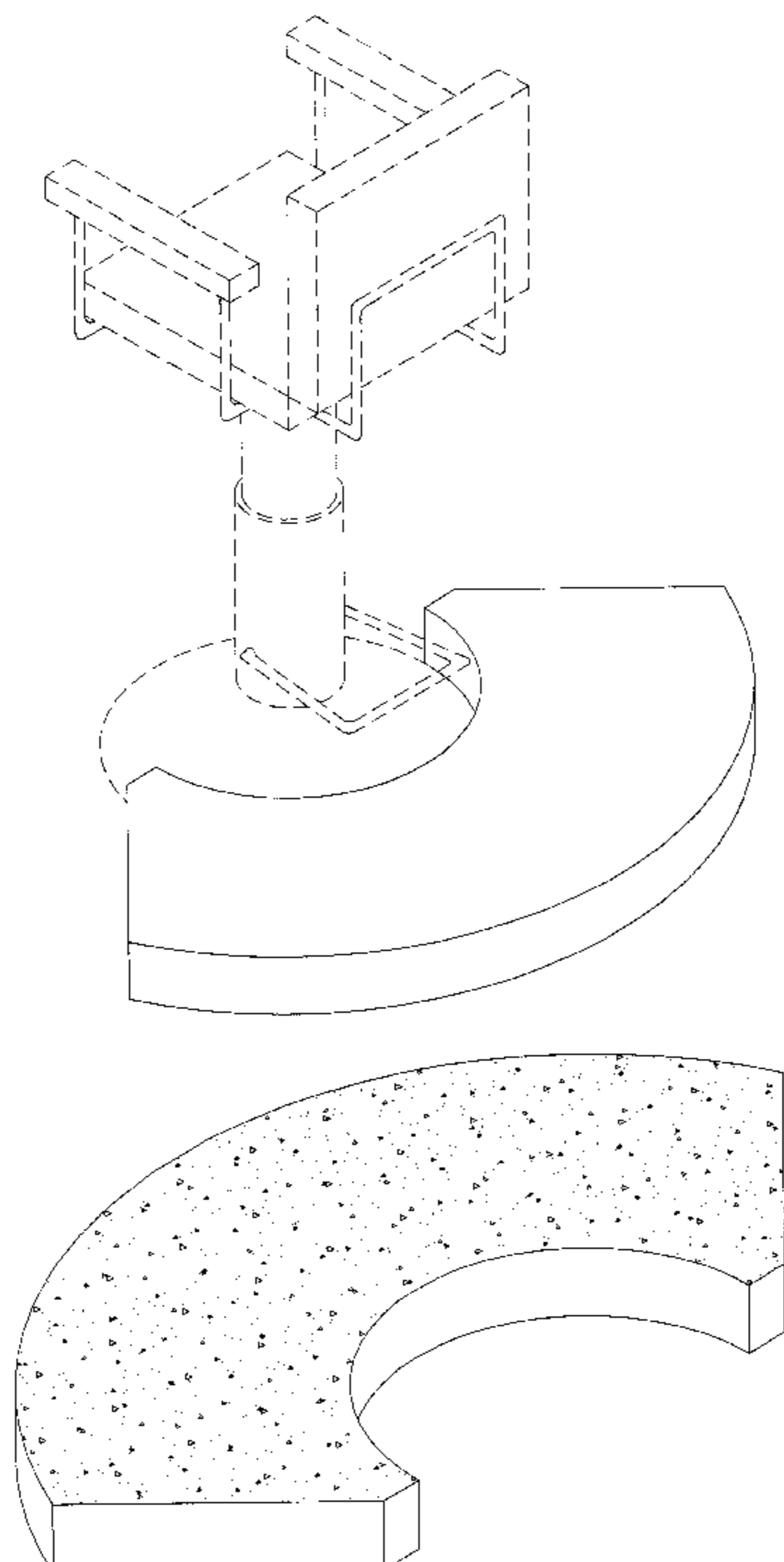
FIG. 4 is a rear elevational view shown on a further reduced
scale;

FIG. 5 is a left side elevational view thereof; the right side
elevational view being a mirror image thereof; and,

FIG. 6 is a perspective view of a second modified embod-
iment of the design, it being understood that the sides not
shown appear the same as those of the first disclosed
embodiment.

The broken lines shown in FIG. 1 are for illustrative
purposes only and form no part of the of the claimed design.

1 Claim, 4 Drawing Sheets



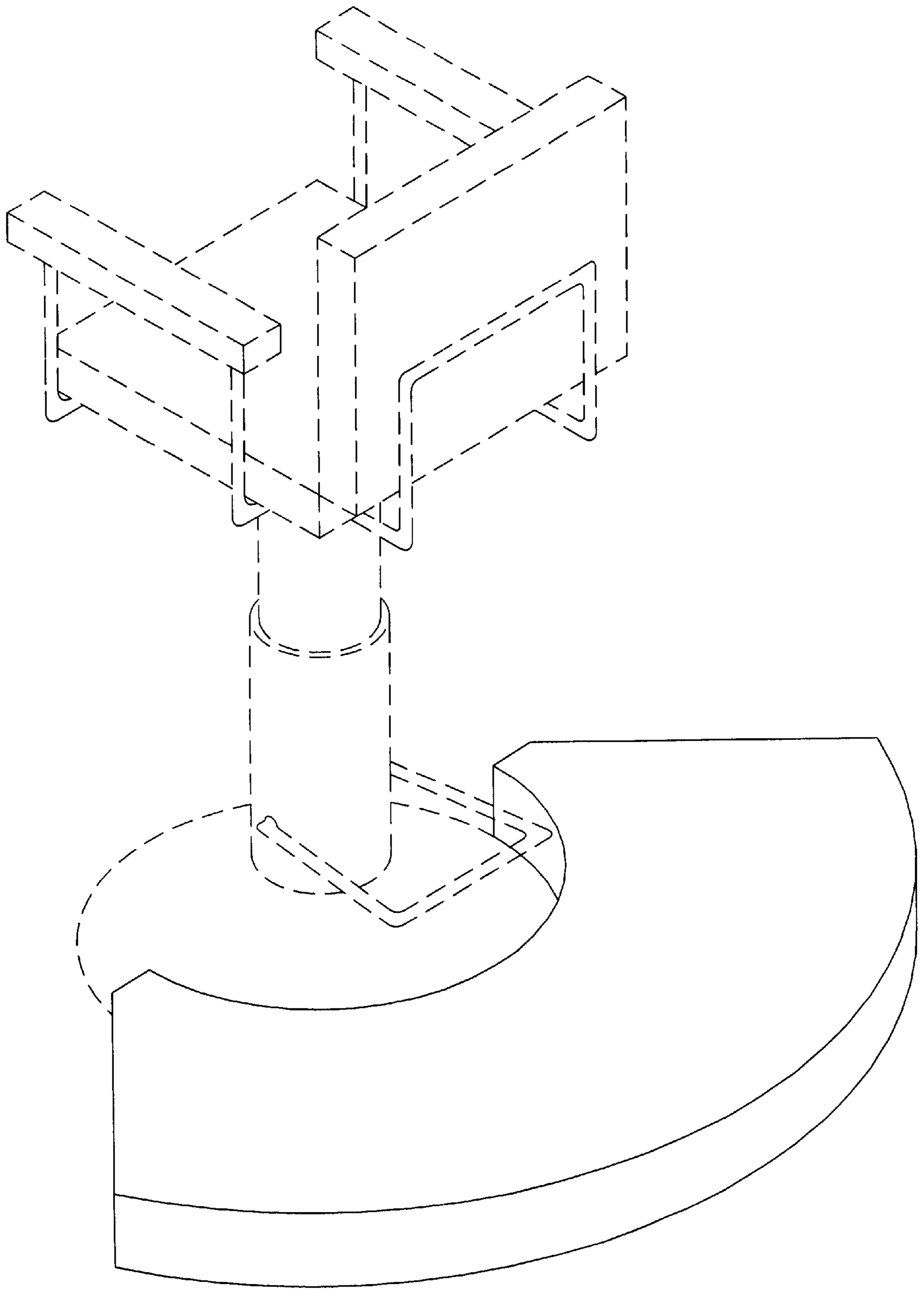


FIG. 1

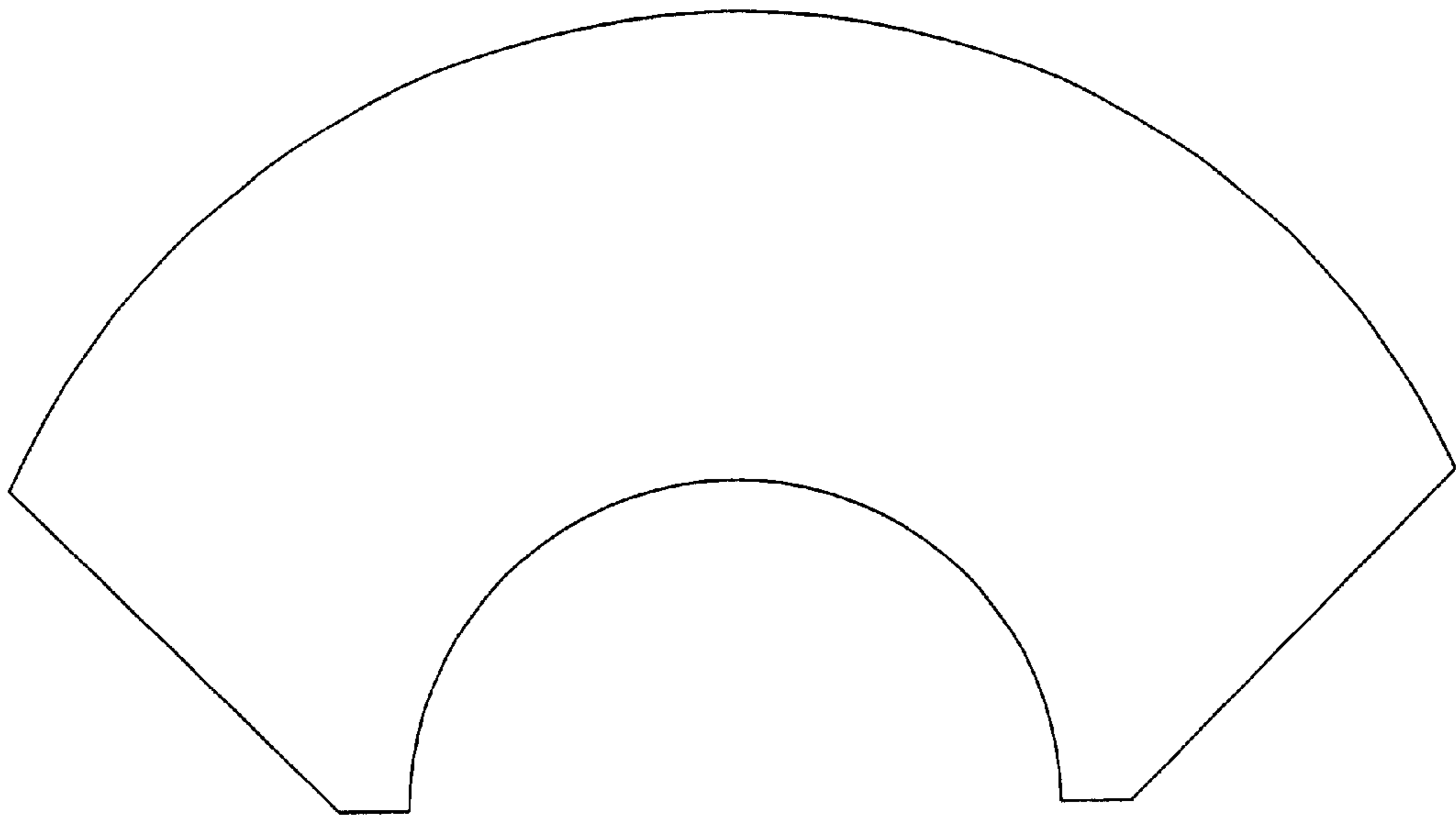


FIG. 2



FIG. 3

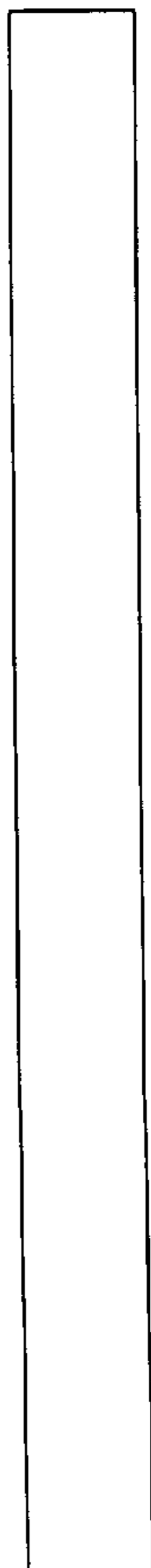


FIG. 5

FIG. 4

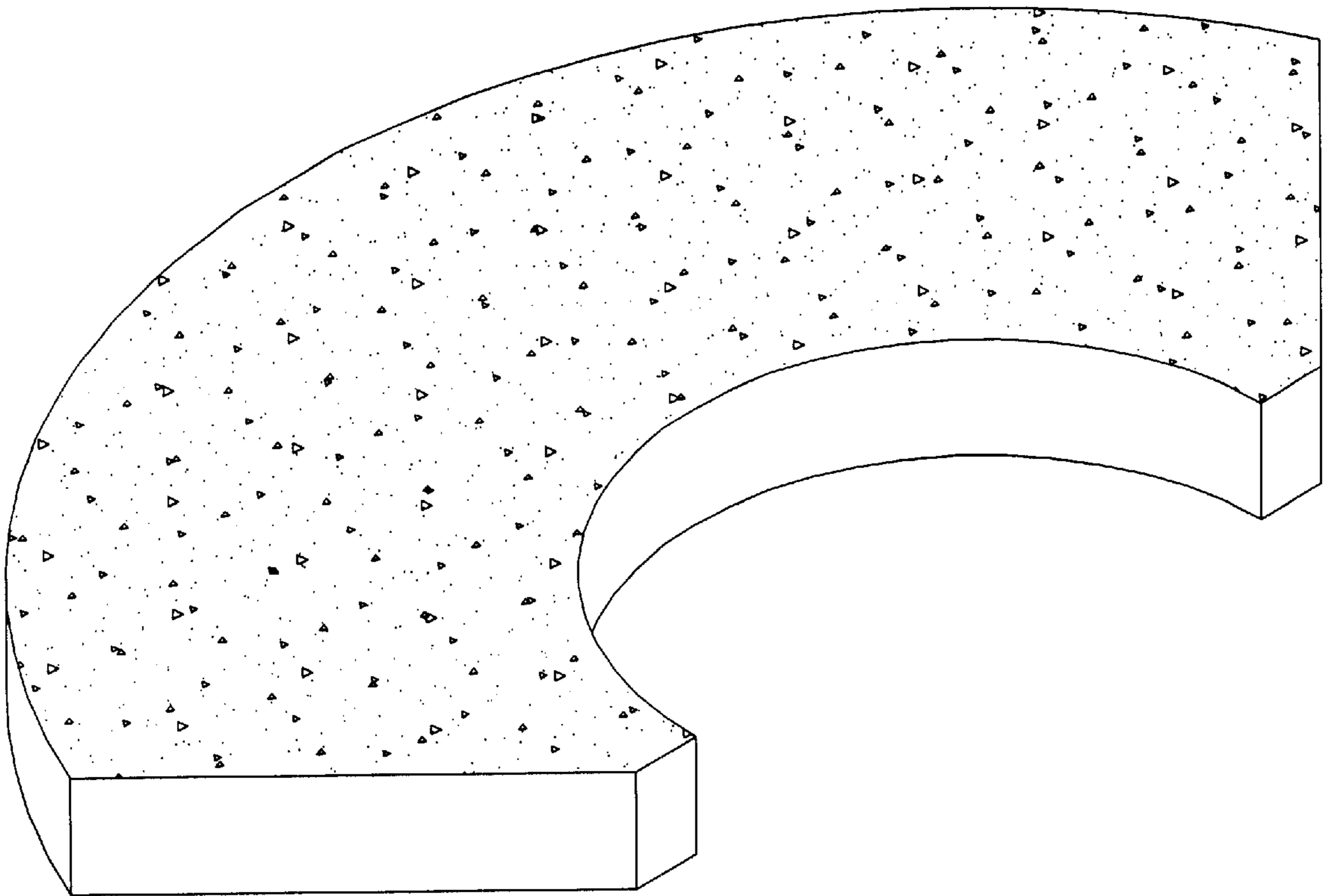


FIG. 6