



US00D465597S

(12) **United States Design Patent**  
**Hsu**

(10) **Patent No.:** **US D465,597 S**

(45) **Date of Patent:** **\*\* Nov. 12, 2002**

(54) **WALL LAMP**

(76) **Inventor:** **Sam Hsu**, Fl. 11, No. 195, Ning Hsia Road, Taichung (TW)

(\*\*) **Term:** **14 Years**

(21) **Appl. No.:** **29/150,993**

(22) **Filed:** **Dec. 4, 2001**

(51) **LOC (7) Cl.** ..... **26-03**

(52) **U.S. Cl.** ..... **D26/87; D26/92**

(58) **Field of Search** ..... D26/72, 80, 85-87,  
D26/92, 67, 118, 129; 362/147, 432, 404-408,  
362, 363

(56) **References Cited**  
**PUBLICATIONS**

Rockscapes, Inc. brochure p. 28, item #WC193-8-V the "San Francisco".\*

Forte Lighting Supplement # 2000, Model # 2114-01-63, top left of p. 18.\*

Home Lighting & Accessories, Jun. 2001, p. 268, lamps in top center photo.\*

Minka-Lavery catalog 2000, p. 177, item D, # 590-62, "Ancient Stone".\*

\* cited by examiner

*Primary Examiner*—Alan P. Douglas

*Assistant Examiner*—Clare E. Heflin

(74) *Attorney, Agent, or Firm*—Rosenberg, Klein & Lee

(57) **CLAIM**

The ornamental design for a wall lamp, as shown and described.

**DESCRIPTION**

FIG. 1 is a perspective view of the wall lamp showing my new design;

FIG. 2 is a front elevation view thereof;

FIG. 3 is a rear elevation view thereof;

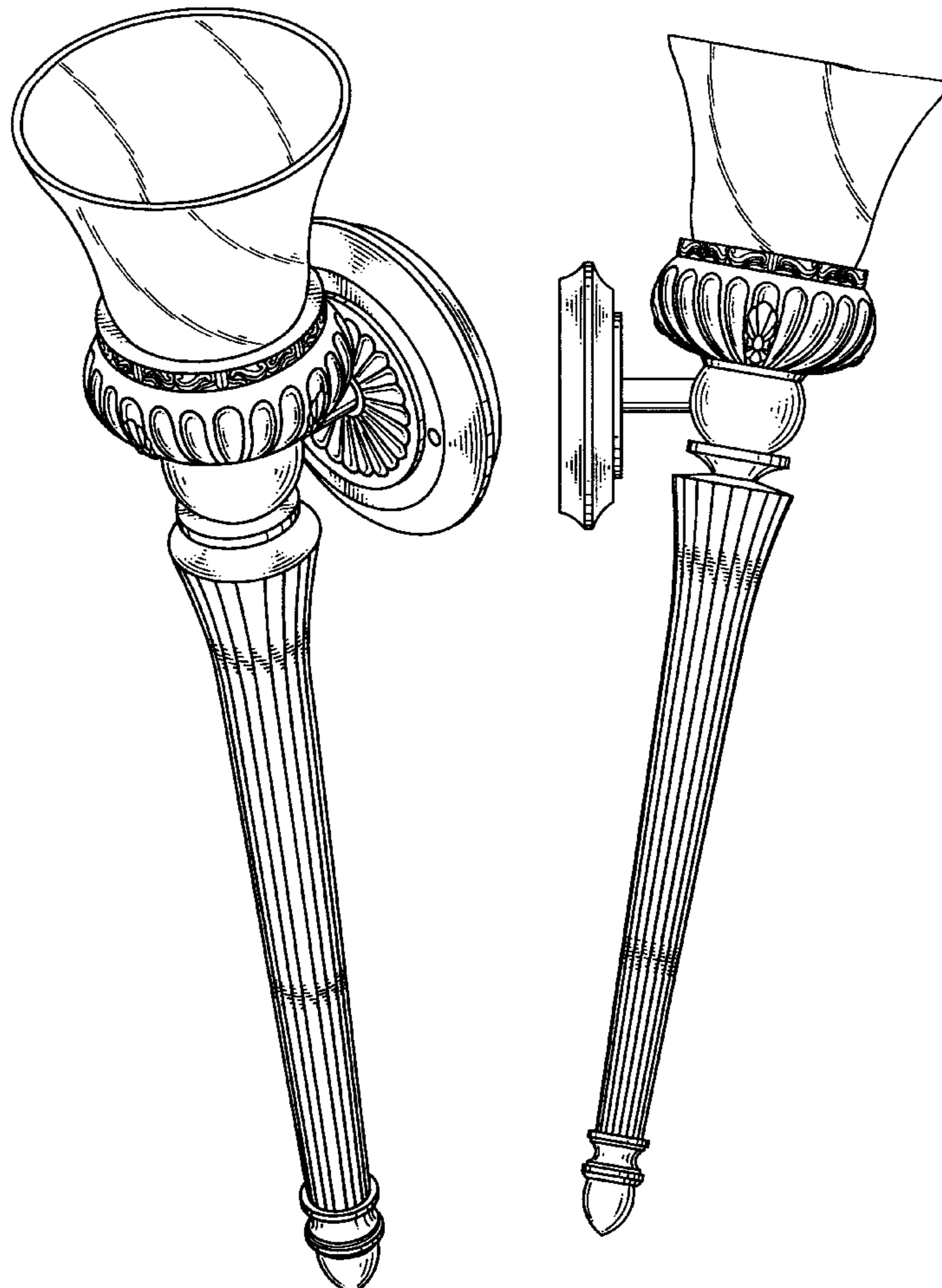
FIG. 4 is a left side elevation view thereof;

FIG. 5 is a right side elevation view thereof;

FIG. 6 is a top plan view thereof; and,

FIG. 7 is a bottom plan view thereof.

**1 Claim, 5 Drawing Sheets**



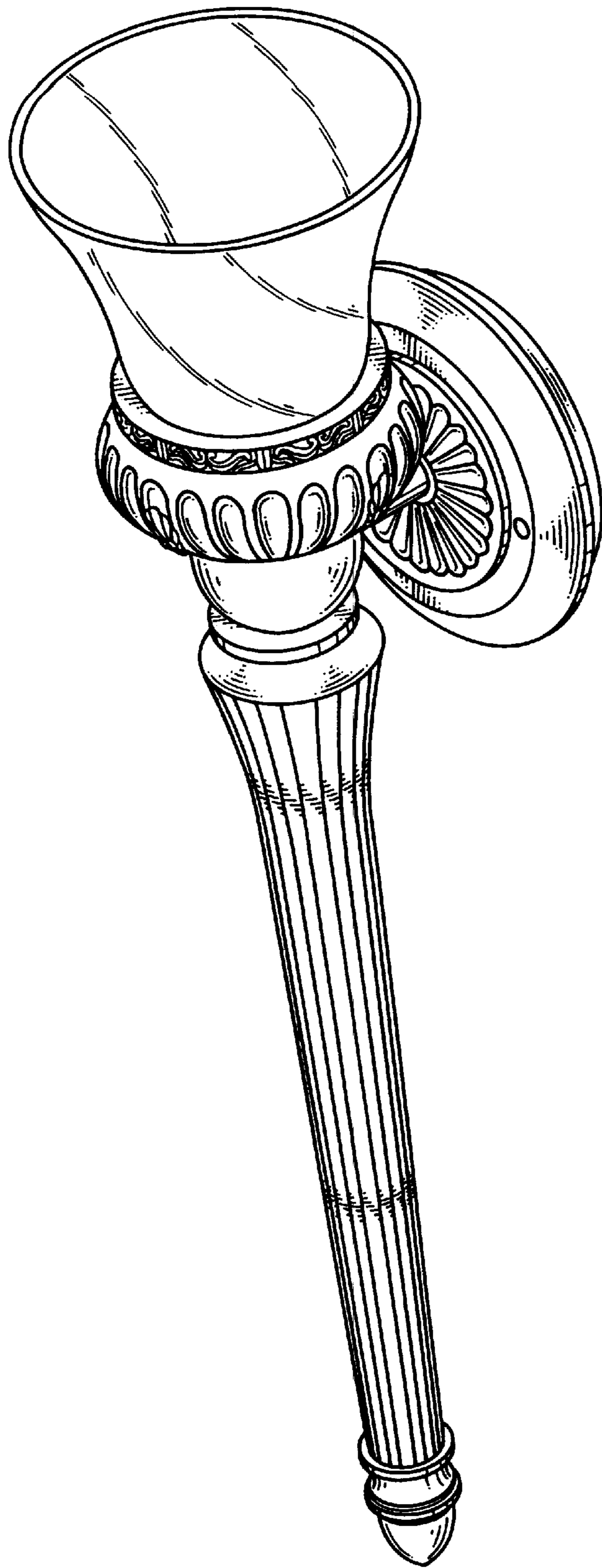


FIG. 1

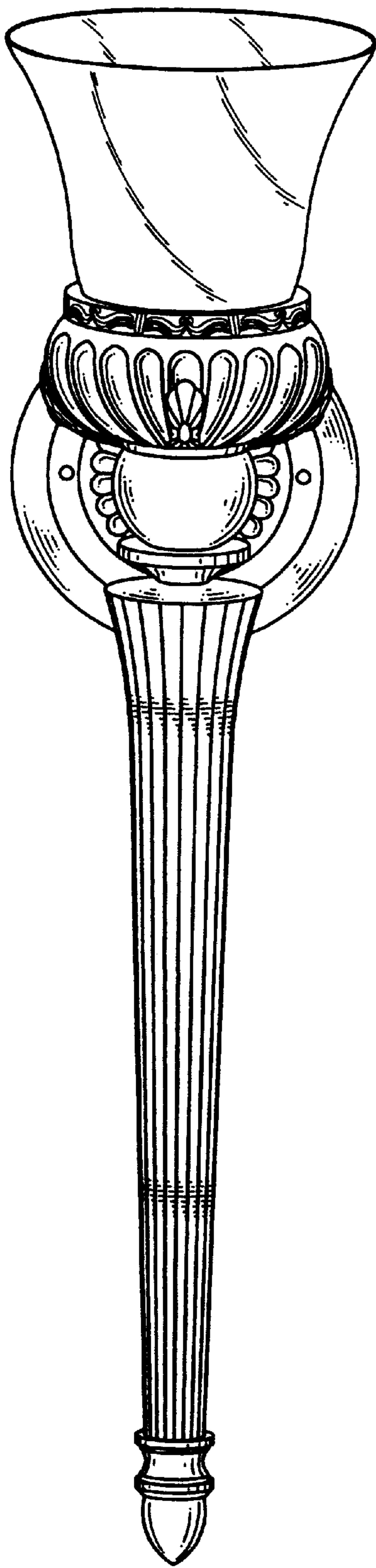


FIG. 2

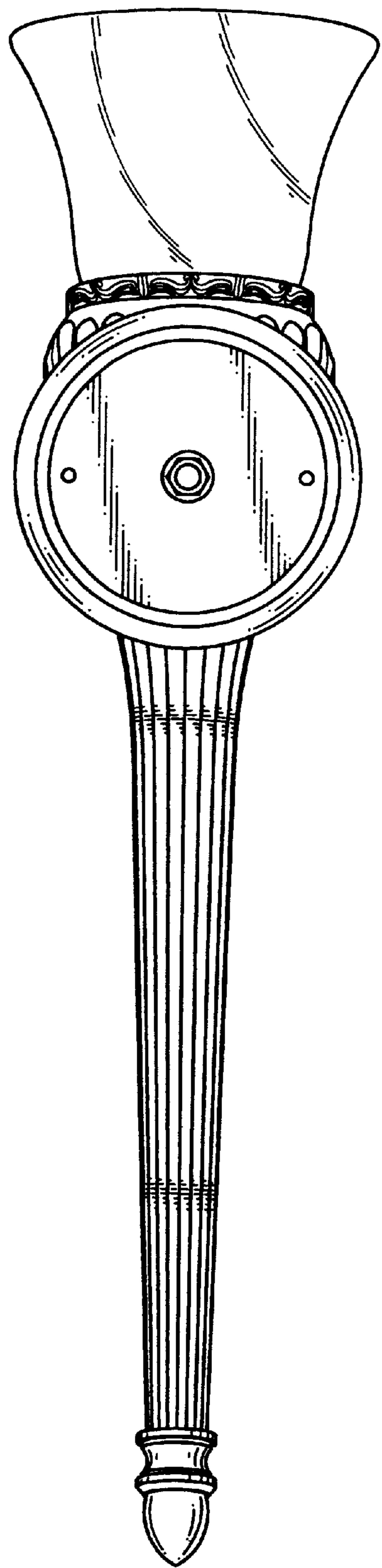


FIG. 3

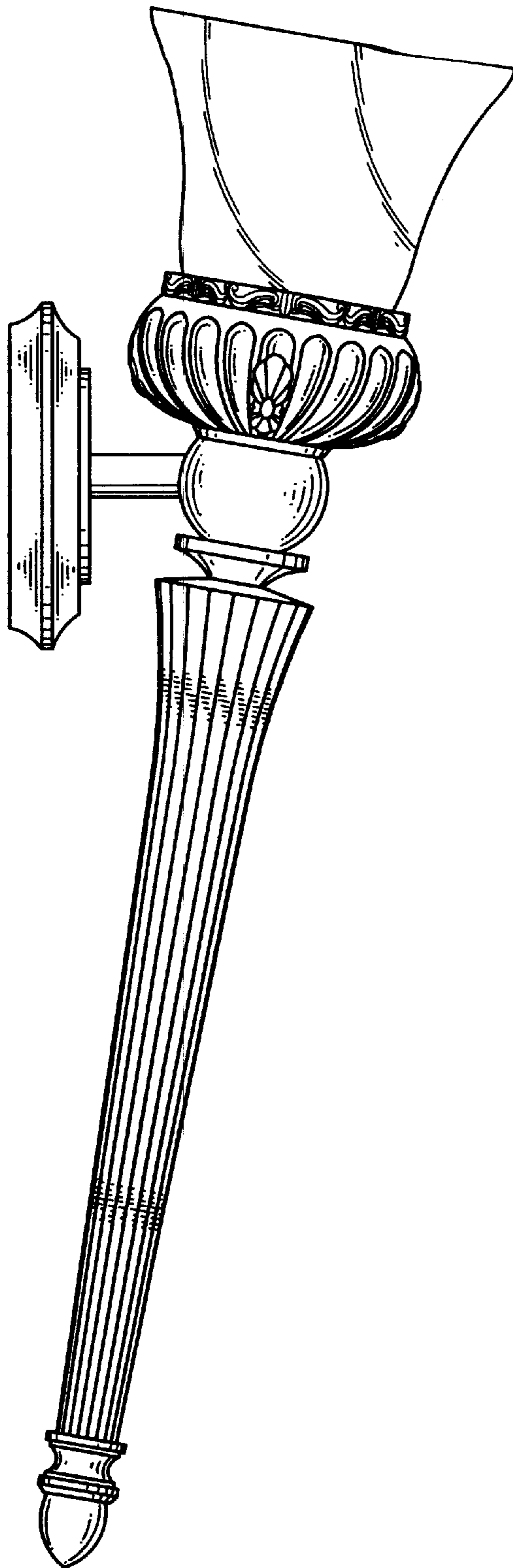


FIG. 4

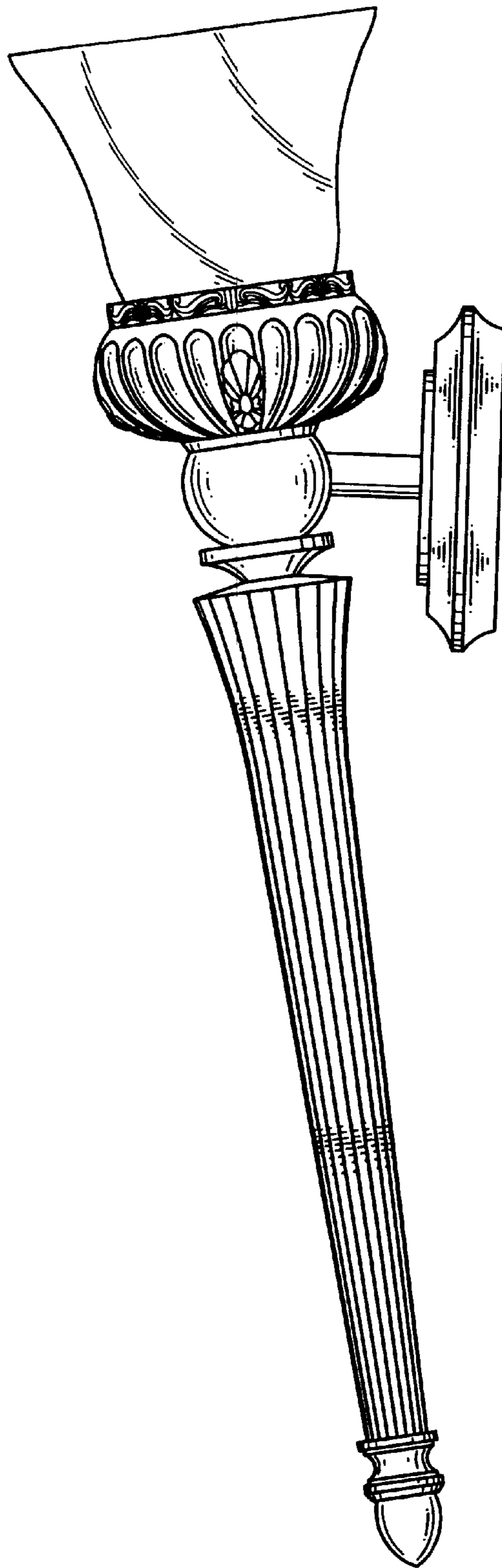


FIG. 5

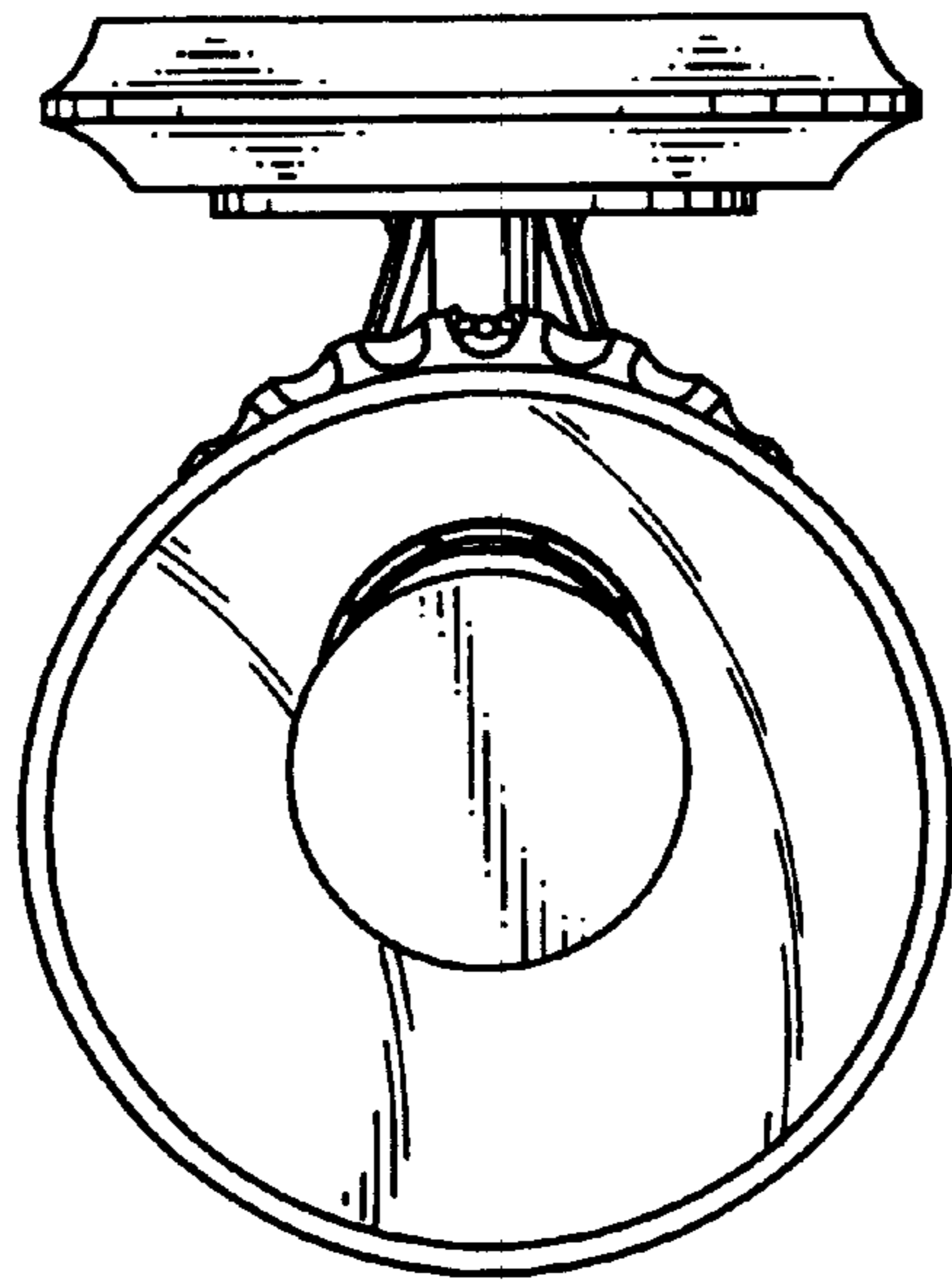


FIG 6

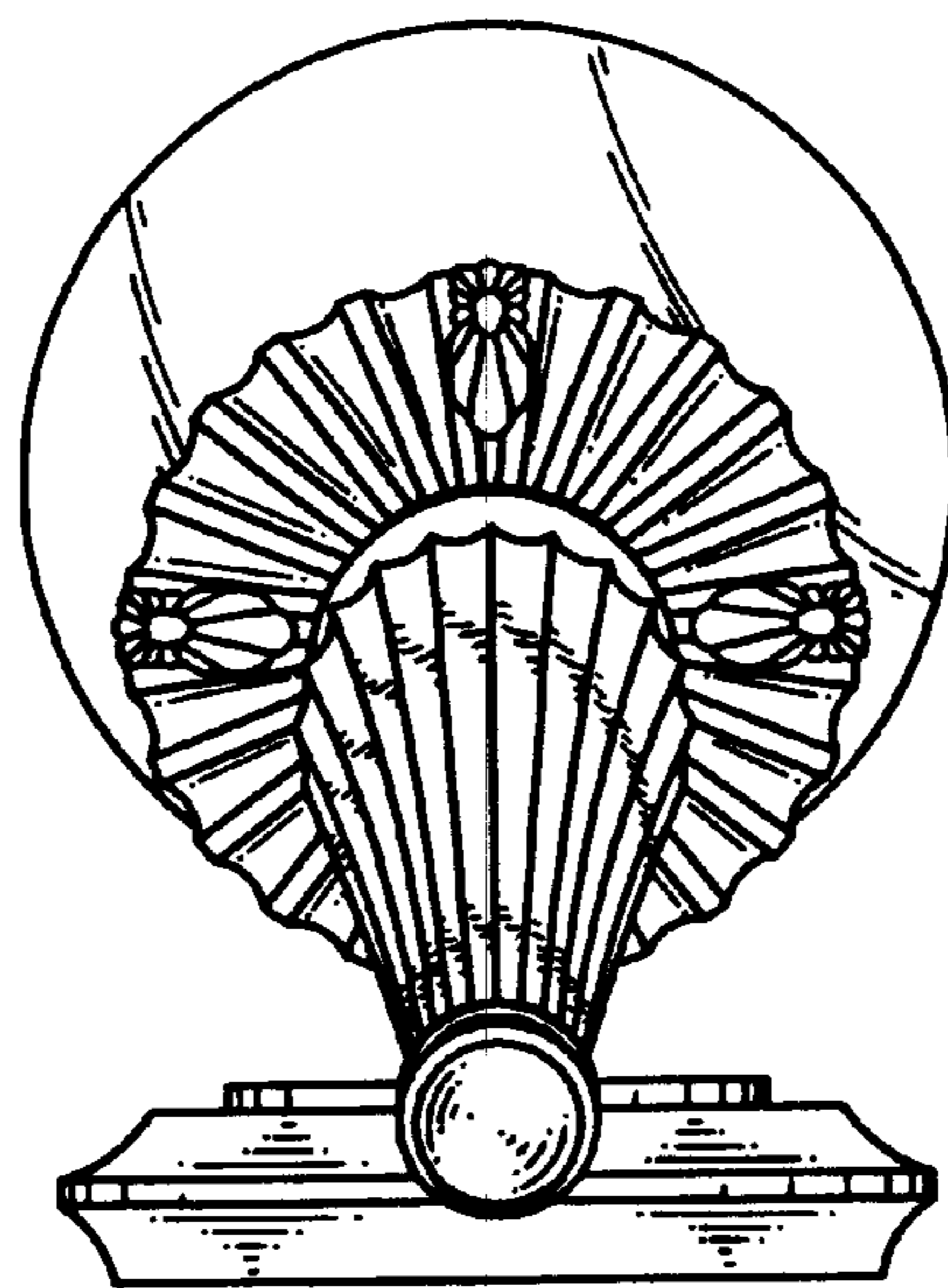


FIG. 7