



US00D465595S

(12) **United States Design Patent**  
**Hoernig**

(10) **Patent No.:** **US D465,595 S**

(45) **Date of Patent:** **\*\* Nov. 12, 2002**

(54) **DOUBLE WALL LIGHT**

(75) Inventor: **Victor Hoernig**, Lowell, IN (US)

(73) Assignee: **Bath Unlimited, Inc.**, Fort Mill, SC (US)

(\*\*) Term: **14 Years**

(21) Appl. No.: **29/155,127**

(22) Filed: **Feb. 4, 2002**

(51) **LOC (7) Cl.** ..... **26-03**

(52) **U.S. Cl.** ..... **D26/80; D26/86; D26/87; D26/92**

(58) **Field of Search** ..... D26/72, 80, 85-87, D26/92, 67, 118, 129; 362/147, 432, 404-408, 362, 363

(56) **References Cited**

**U.S. PATENT DOCUMENTS**

- 1,024,369 A \* 4/1912 Sechrist
- D49,063 S \* 5/1916 Lau
- D365,887 S \* 1/1996 Pickett ..... D26/87

**OTHER PUBLICATIONS**

- Rockscapes, Inc. brochure, p. 30 item WA222-V: "Catalina".\*
- Framburg Lighting Catalog 2001, p. 143, item # 8732.\*

Home Lighting & Accessories, Jun. 2001, p. 278, the "Empire" wall sconce from Ginger.\*

\* cited by examiner

*Primary Examiner*—Alan P. Douglas  
*Assistant Examiner*—Clare E. Heflin  
(74) *Attorney, Agent, or Firm*—Edgar A. Zarins; Lloyd D. Doigan

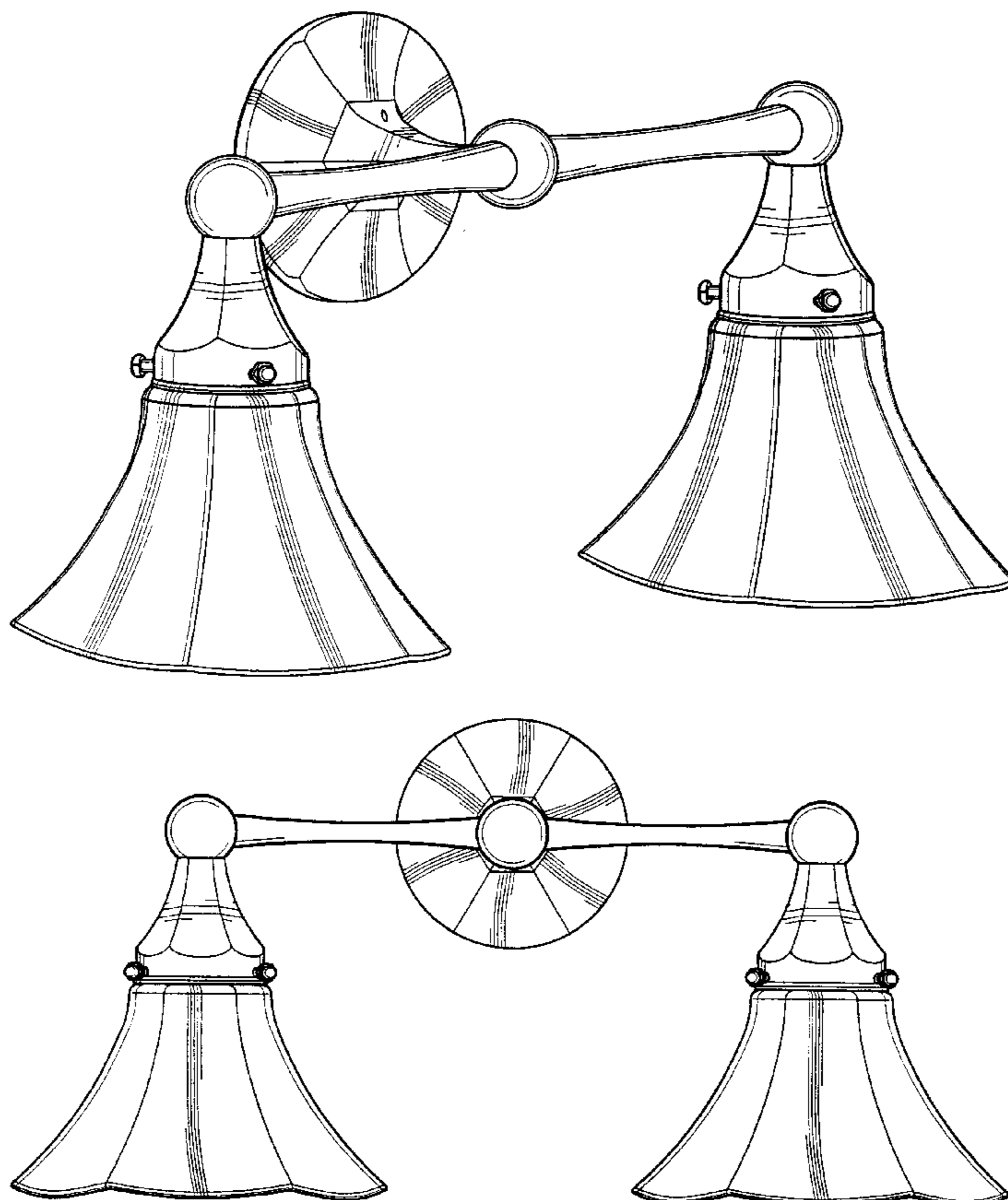
(57) **CLAIM**

The ornamental design for a double wall light, as shown and described.

**DESCRIPTION**

- FIG. 1 is a perspective view of a double wall light showing my new design;
- FIG. 2 is a front elevational view thereof;
- FIG. 3 is a right side view thereof;
- FIG. 4 is a left side view thereof;
- FIG. 5 is a bottom plan view thereof;
- FIG. 6 is a top plan view thereof; and,
- FIG. 7 is a rear elevational view thereof.

**1 Claim, 3 Drawing Sheets**



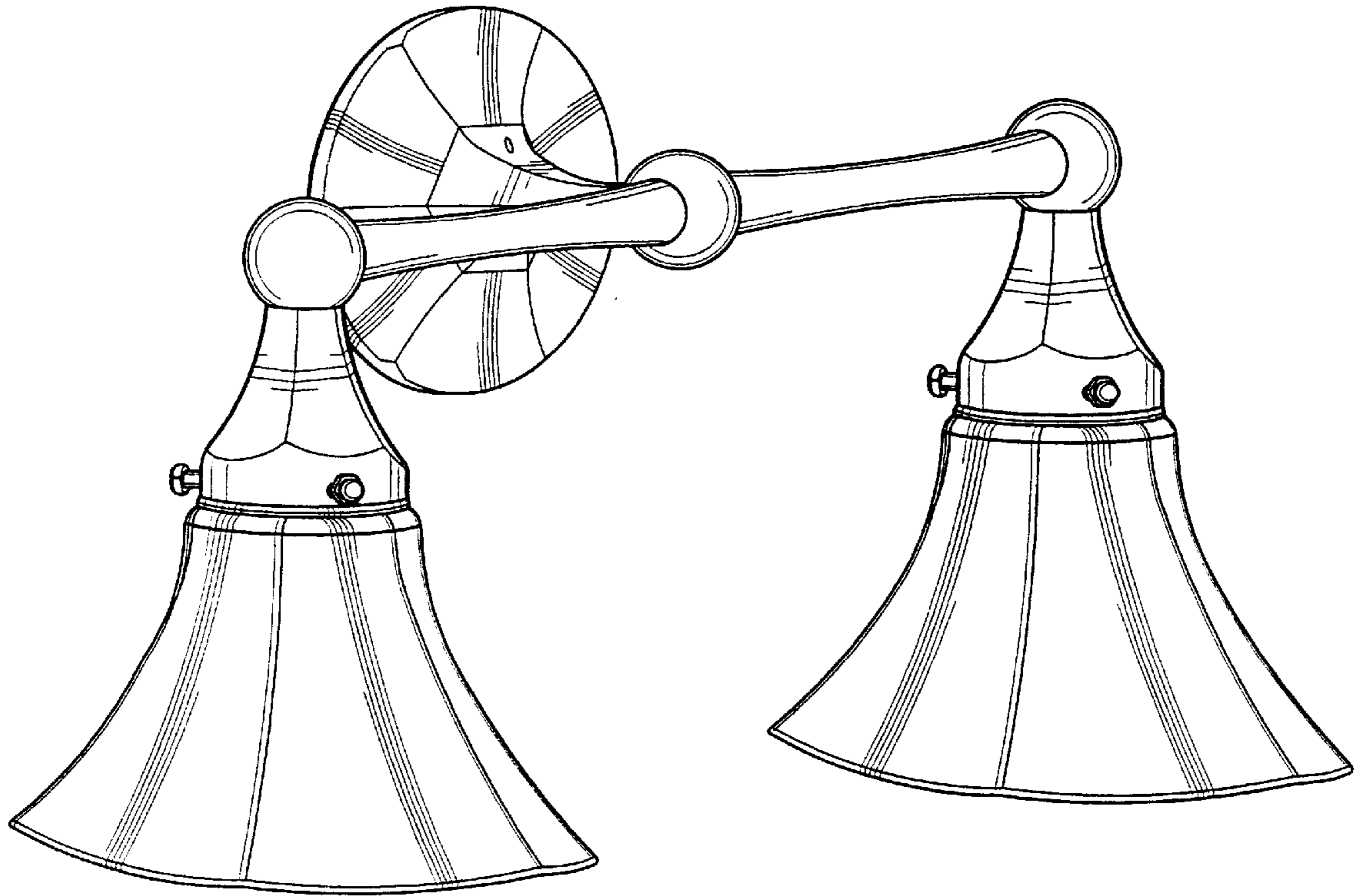


Fig-1

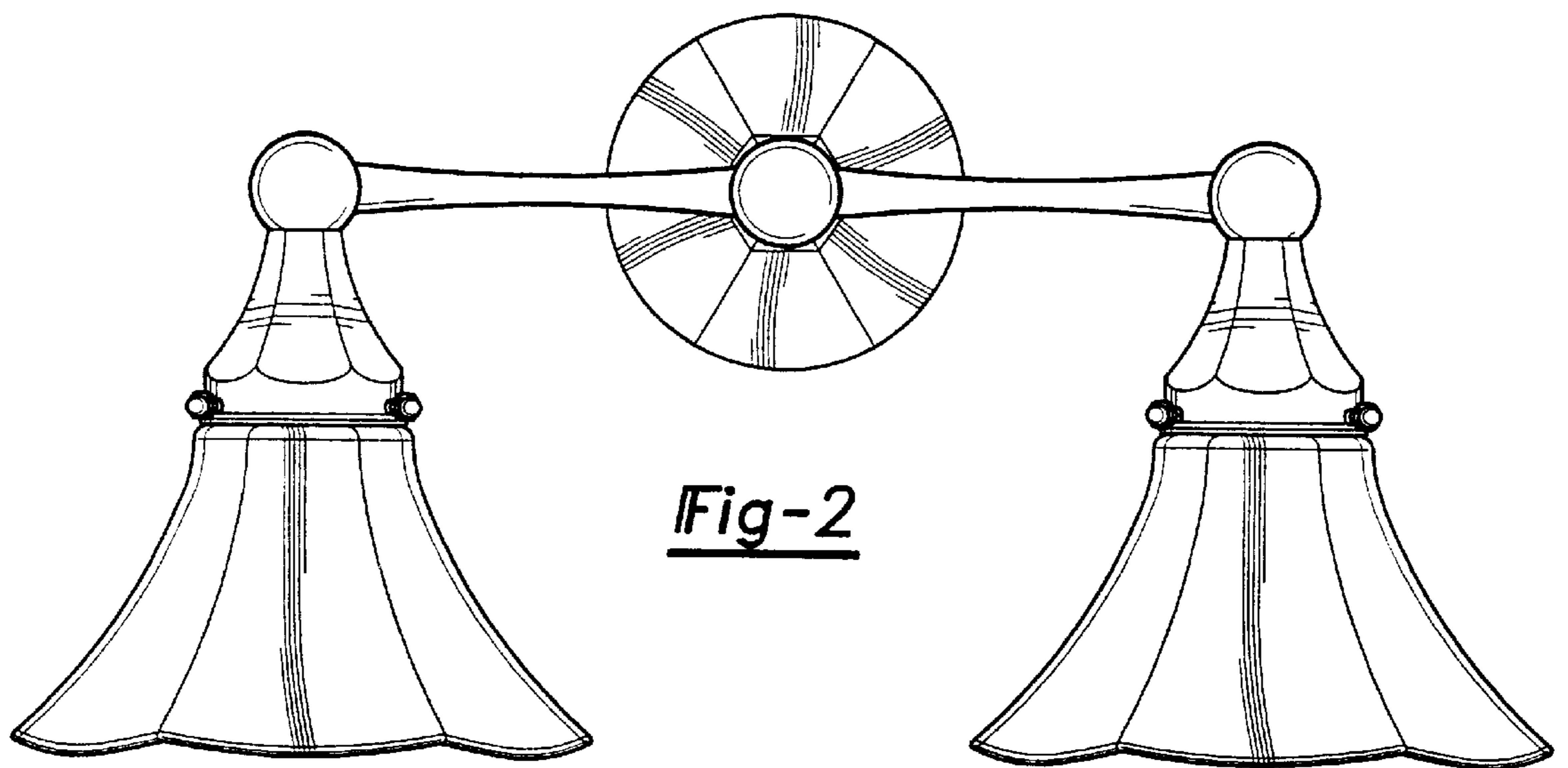


Fig-2

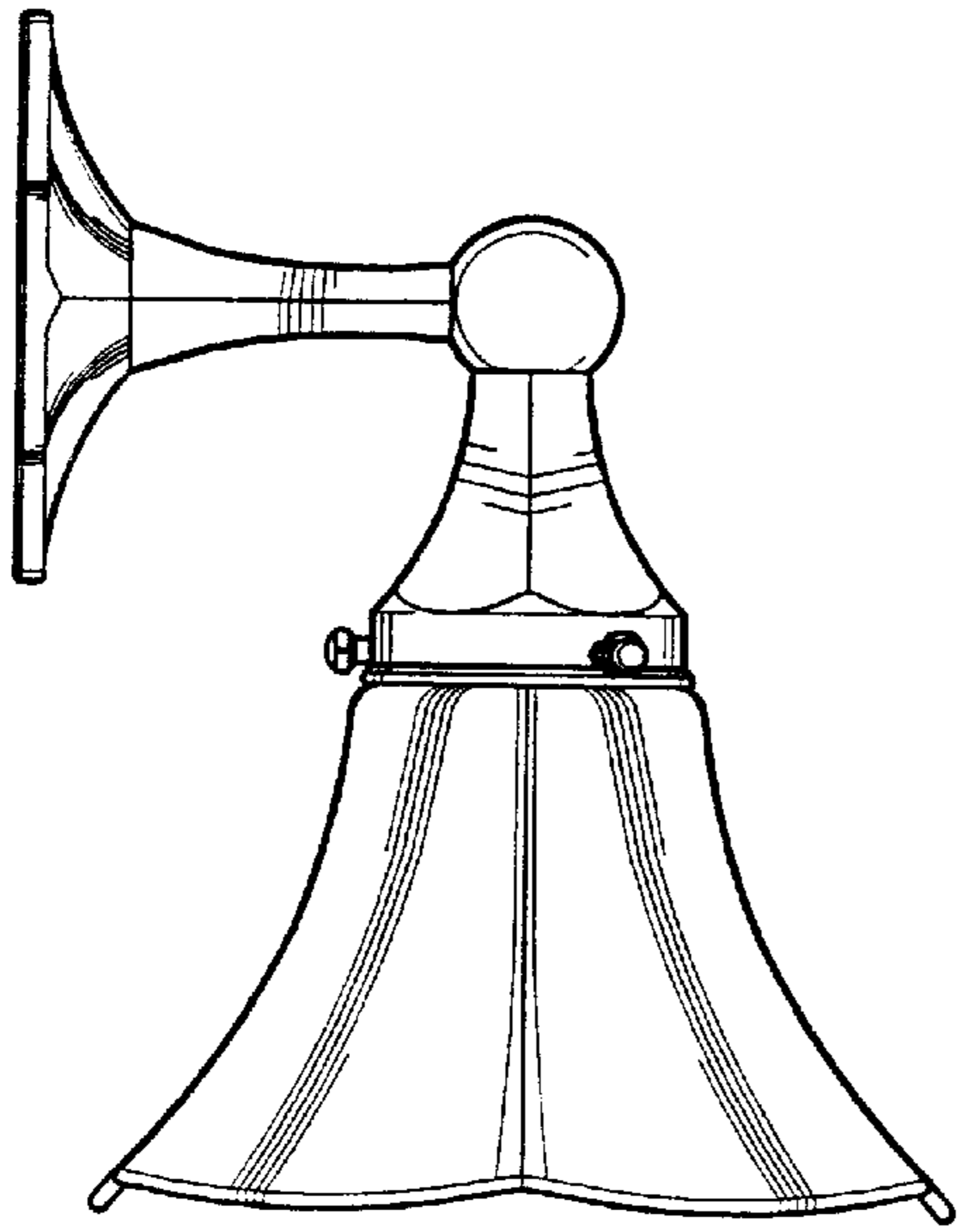


Fig-3

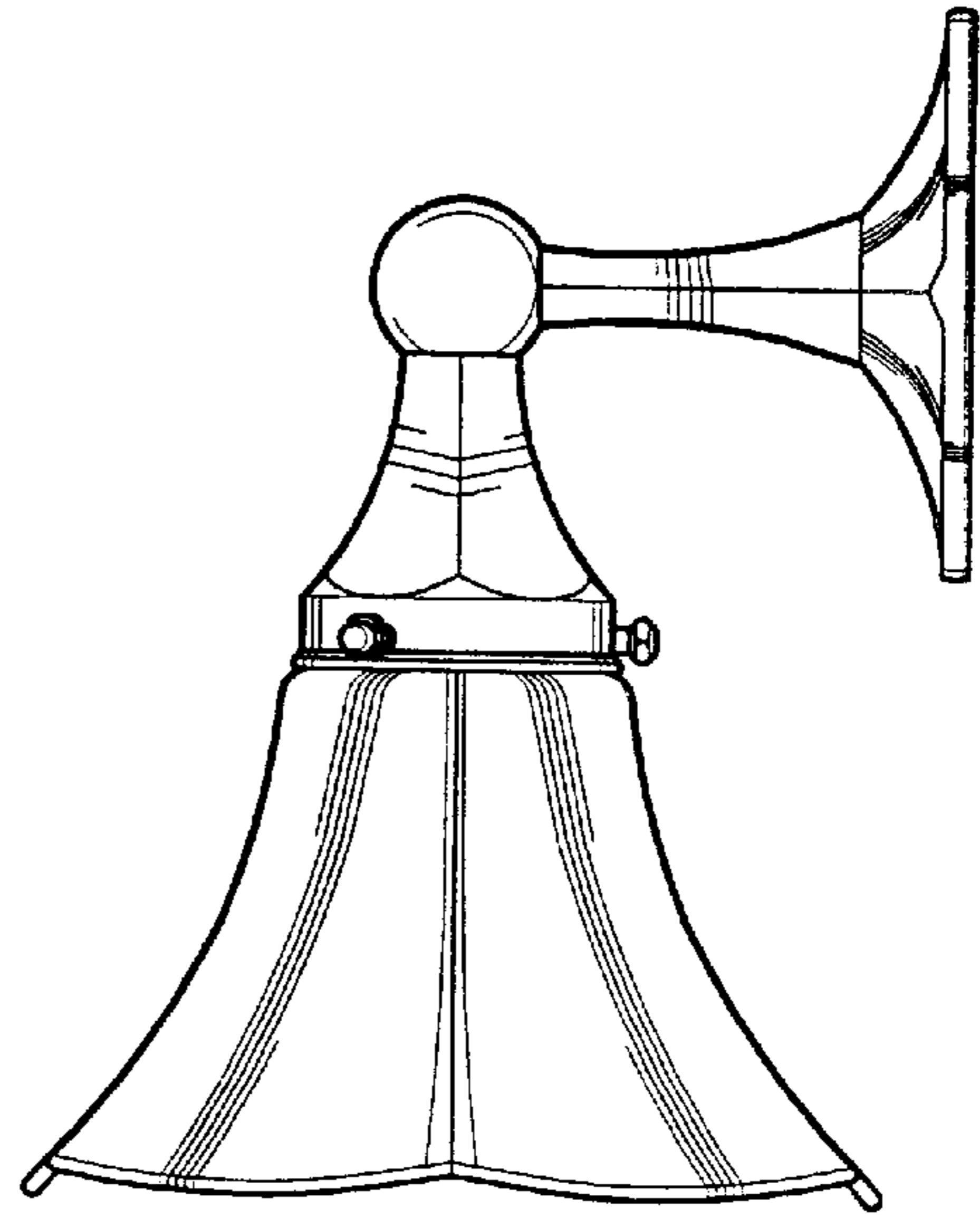


Fig-4

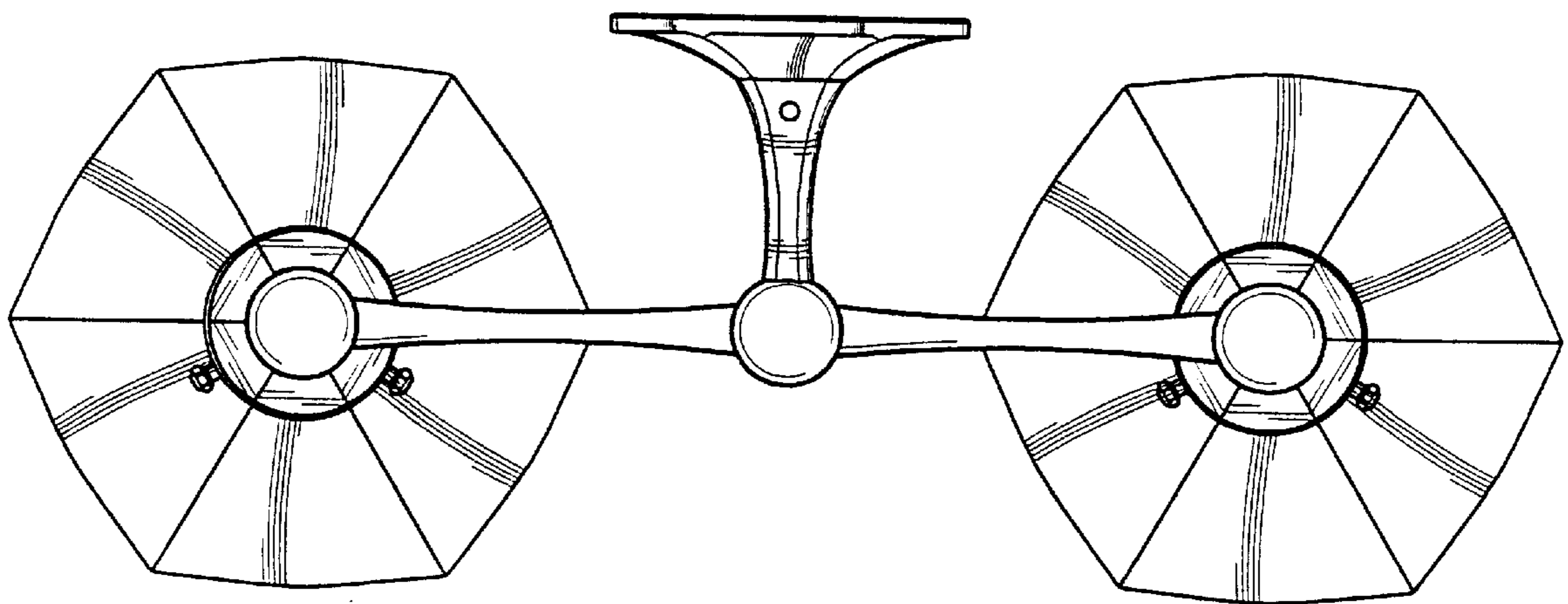


Fig-5

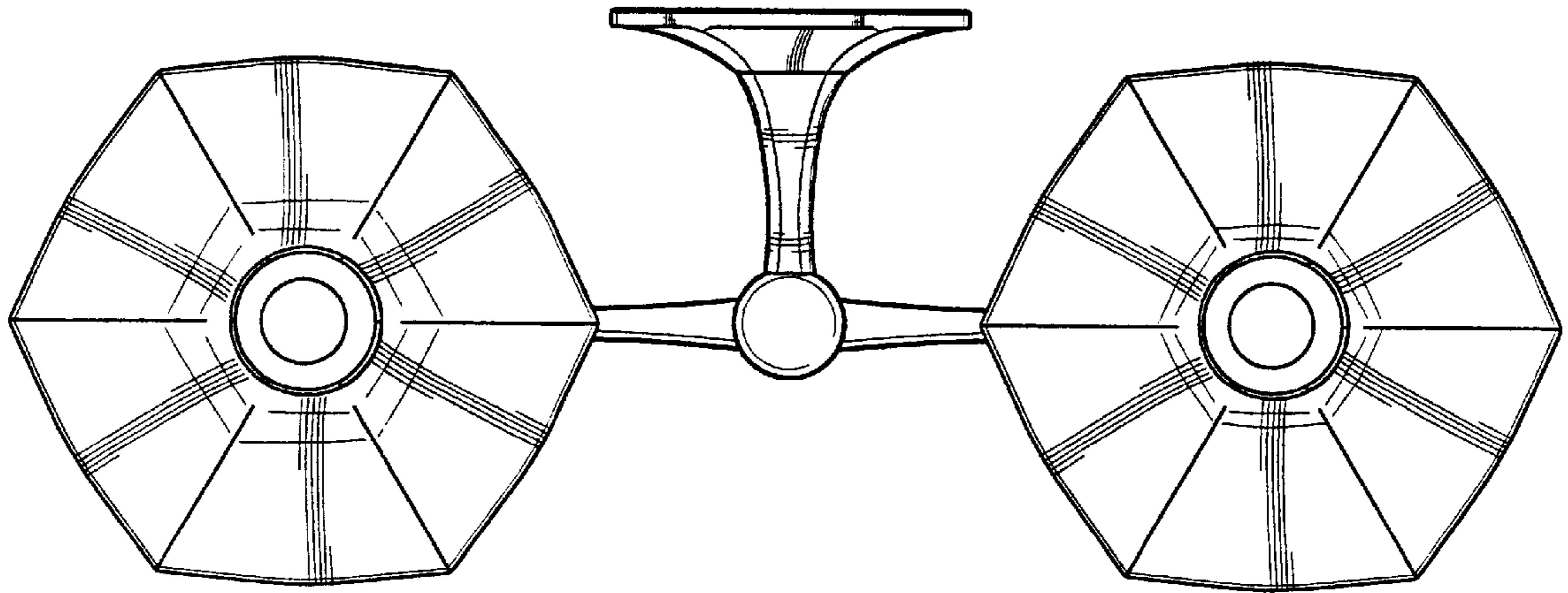


Fig-6

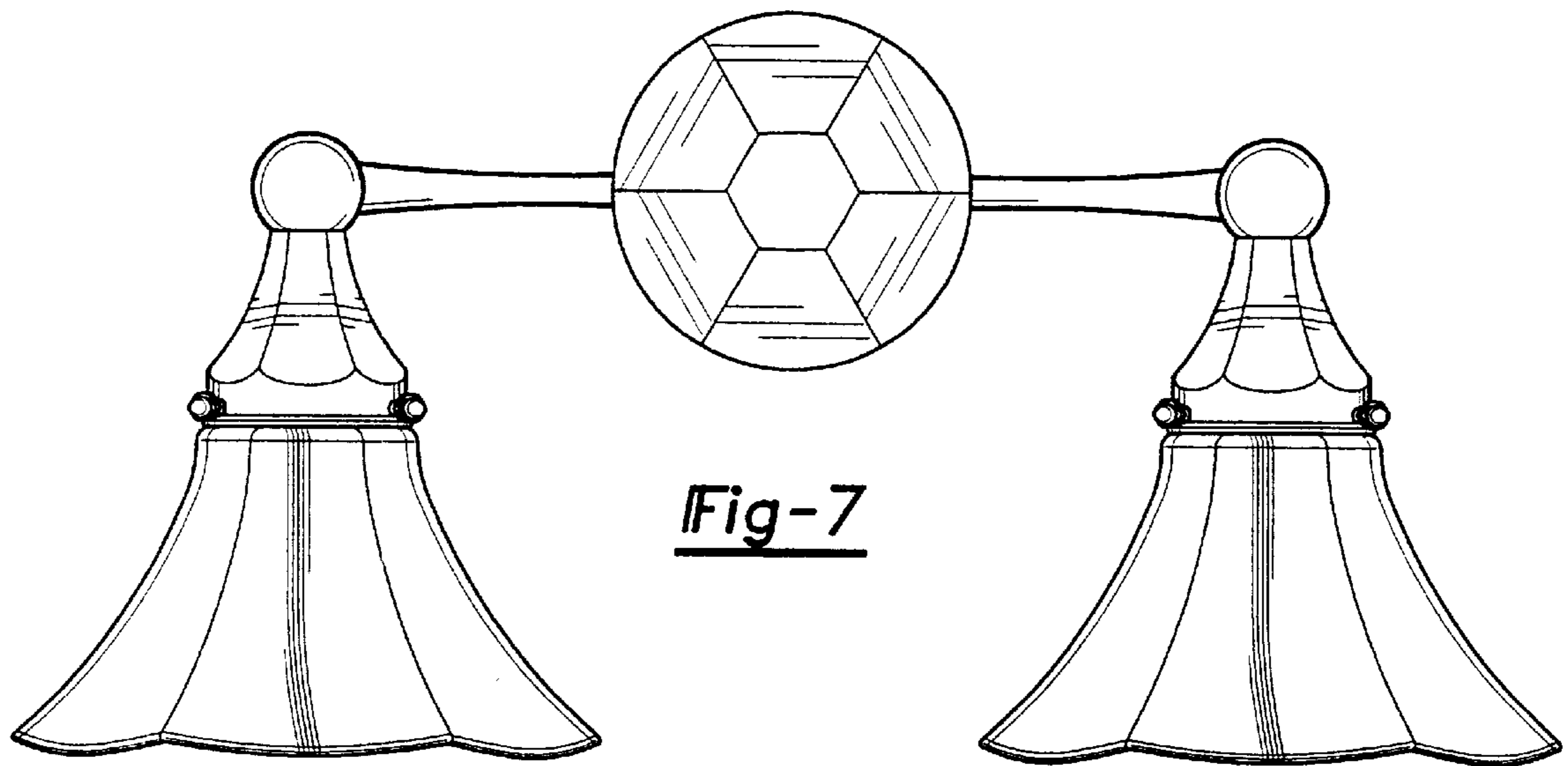


Fig-7