



US00D465594S

(12) **United States Design Patent**
Chen

(10) **Patent No.:** **US D465,594 S**

(45) **Date of Patent:** **** Nov. 12, 2002**

(54) **DECORATIVE LAMP**

(76) **Inventor:** **Hung-Yi Chen**, No. 19, Lane 167,
Tung Nan St., Hsinchu City (TW)

(**) **Term:** **14 Years**

(21) **Appl. No.:** **29/142,755**

(22) **Filed:** **Jun. 4, 2001**

(51) **LOC (7) Cl.** **26-03**

(52) **U.S. Cl.** **D26/73**

(58) **Field of Search** D26/72-92, 125,
D26/25, 4, 32, 47, 57, 94; D11/124, 125;
362/806, 807, 808, 121

(56) **References Cited**

U.S. PATENT DOCUMENTS

- D8,972 S * 2/1876 Ford
- 2,132,297 A * 10/1938 Horowitz
- 2,199,435 A * 5/1940 Koonz
- D121,522 S * 7/1940 Petry
- 2,217,877 A * 10/1940 Petry

- 2,917,853 A * 10/1959 Lawsky
- 4,780,798 A * 10/1988 Iida 362/32
- D425,233 S * 5/2000 Liu D26/73

* cited by examiner

Primary Examiner—Alan P. Douglas

Assistant Examiner—Clare E. Heflin

(74) *Attorney, Agent, or Firm*—Rosenberg, Klein & Lee

(57) **CLAIM**

The ornamental design for a decorative lamp, as shown.

DESCRIPTION

FIG. 1, is a perspective view of the decorative lamp embodying my design.

FIG. 2 is a front elevational view thereof;

FIG. 3 is rear elevational view thereof.

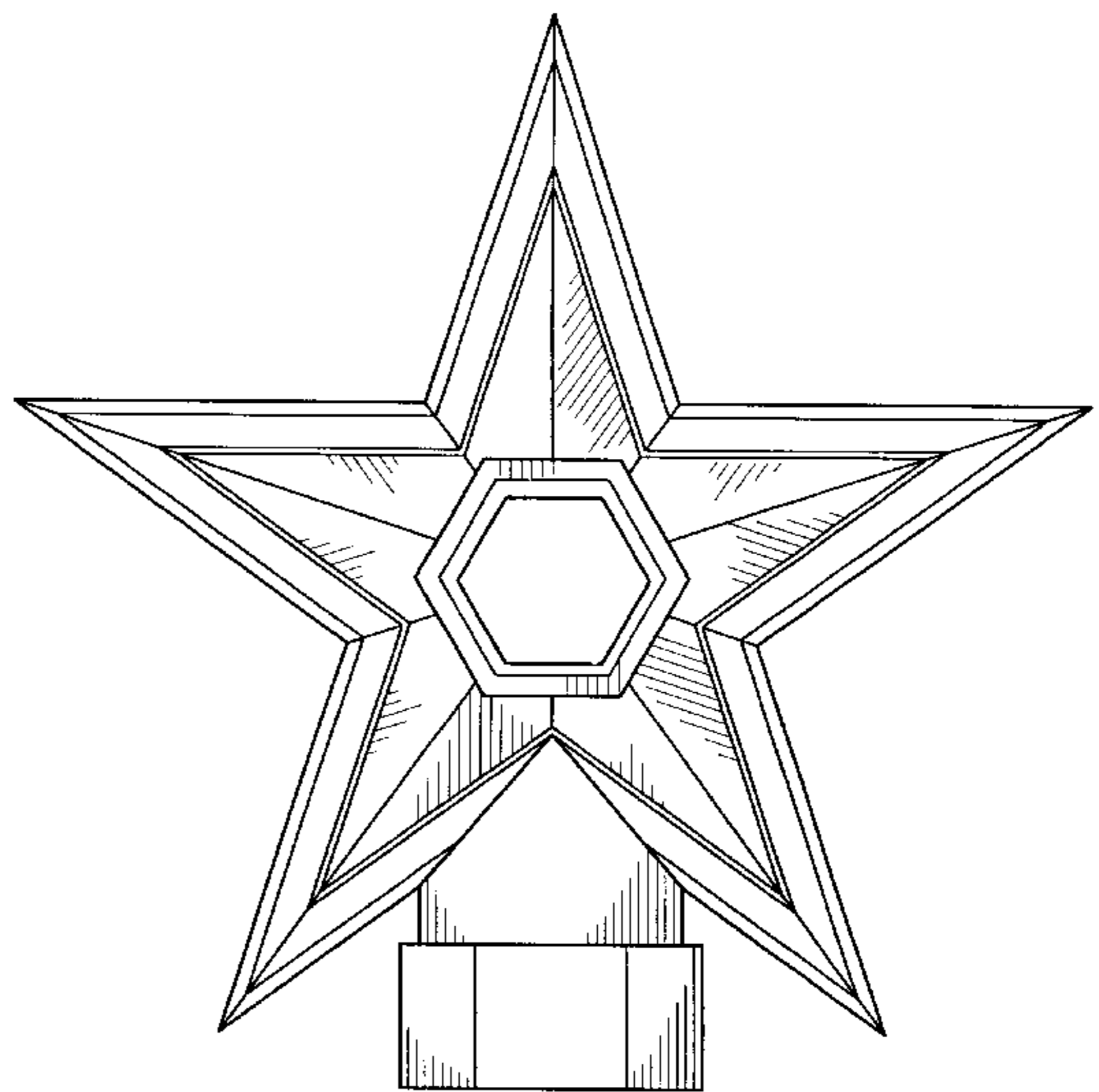
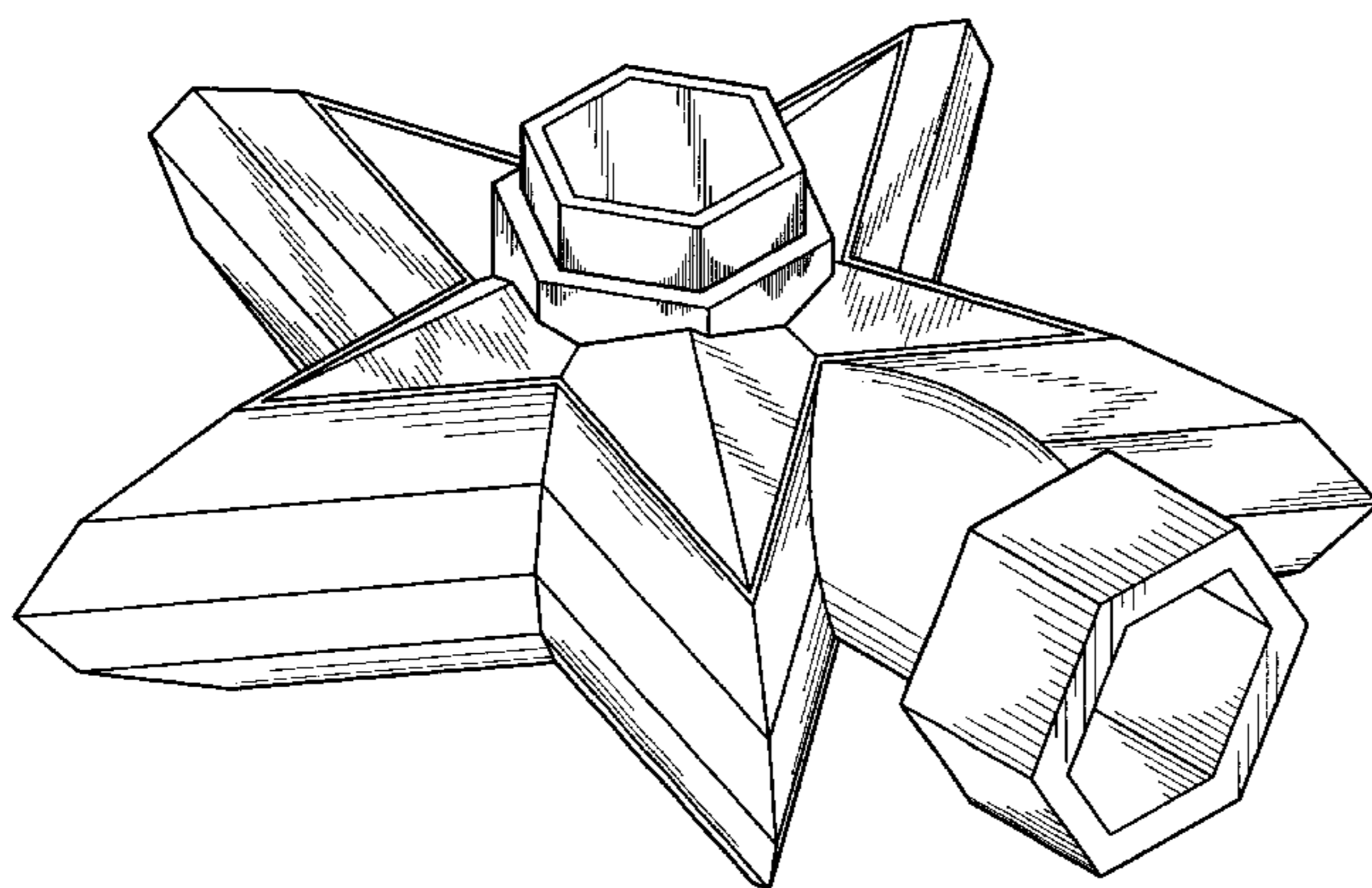
FIG. 4 is left elevational view thereof;

FIG. 5 is a right elevational view thereof;

FIG. 6 is a top view thereof; and,

FIG. 7 is a bottom view thereof.

1 Claim, 7 Drawing Sheets



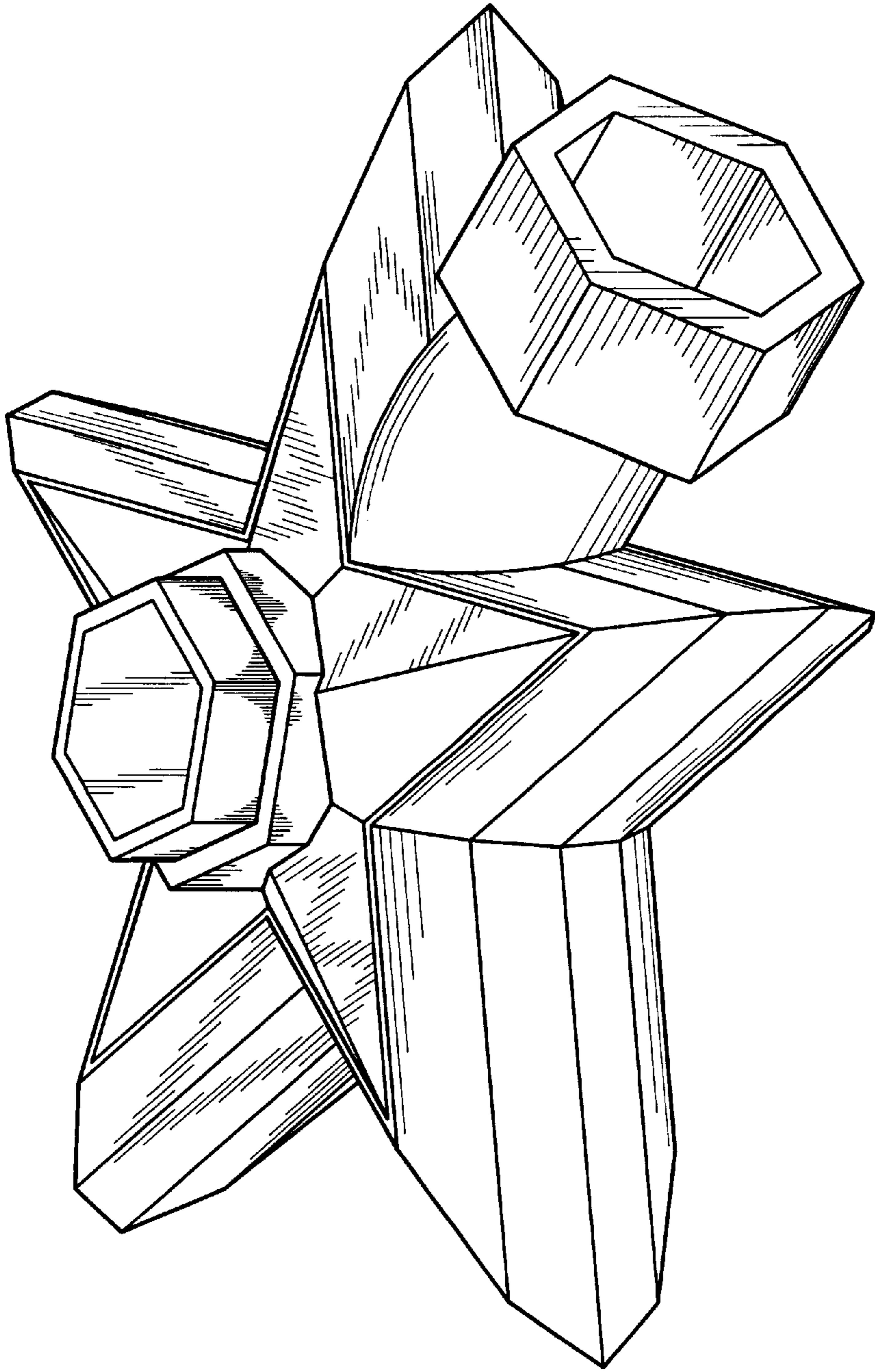


FIG. 1

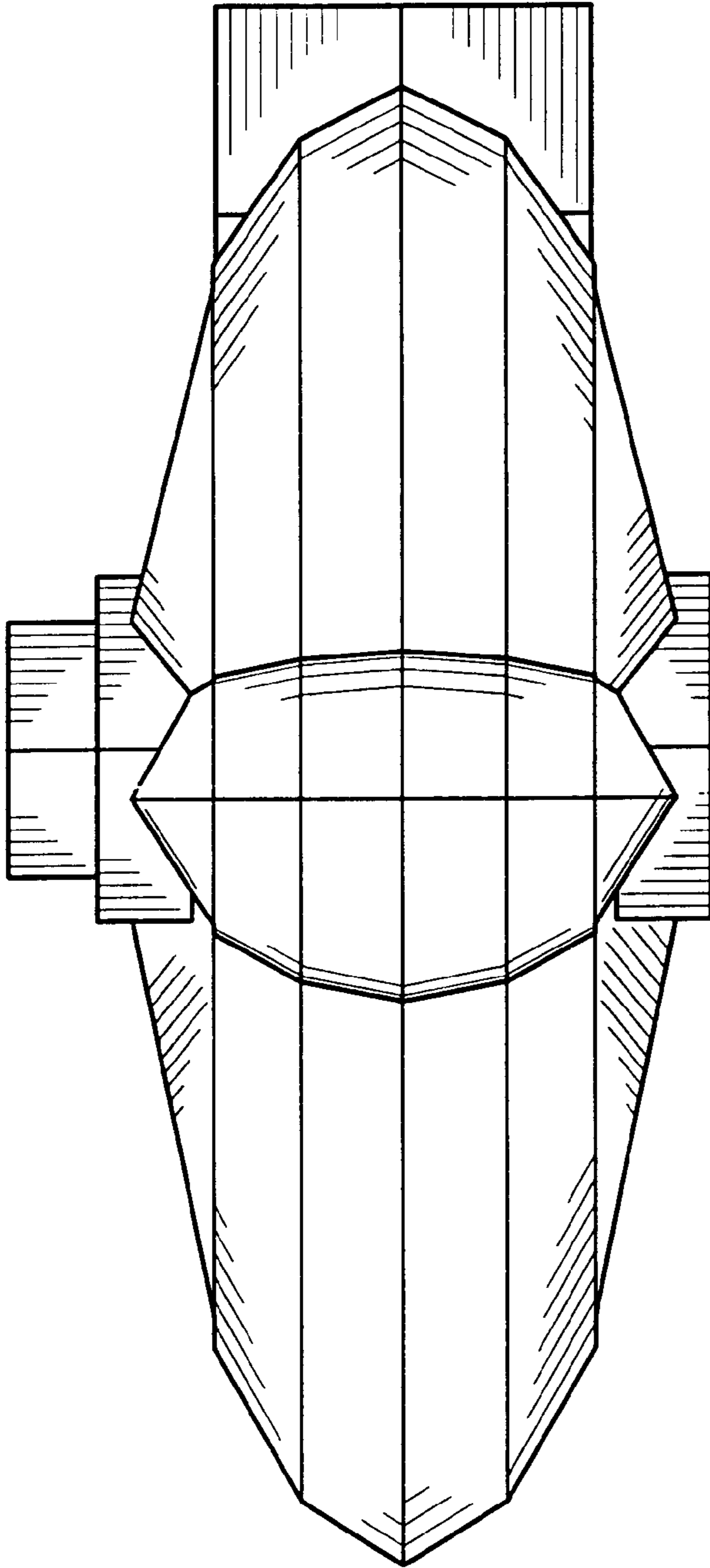


FIG. 2

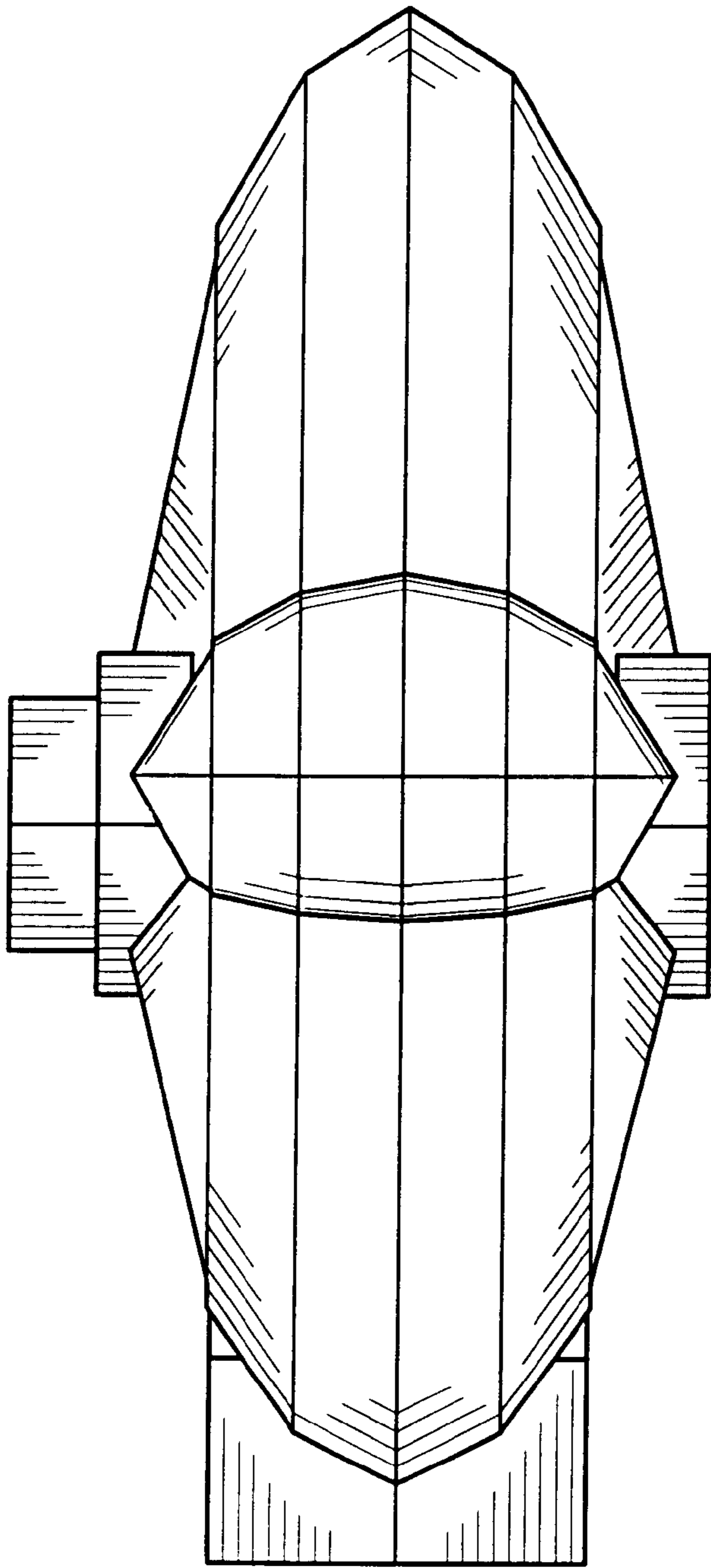


FIG. 3

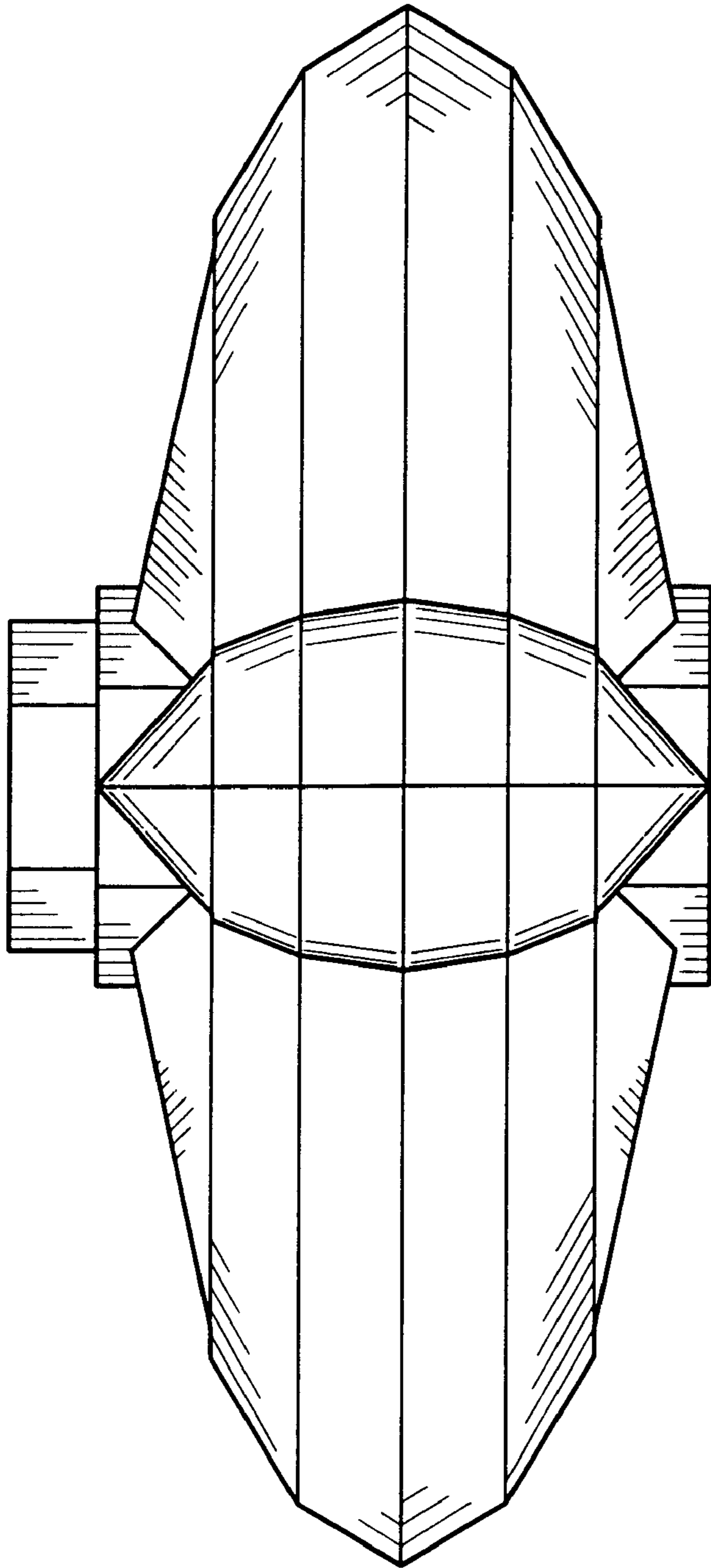


FIG. 4

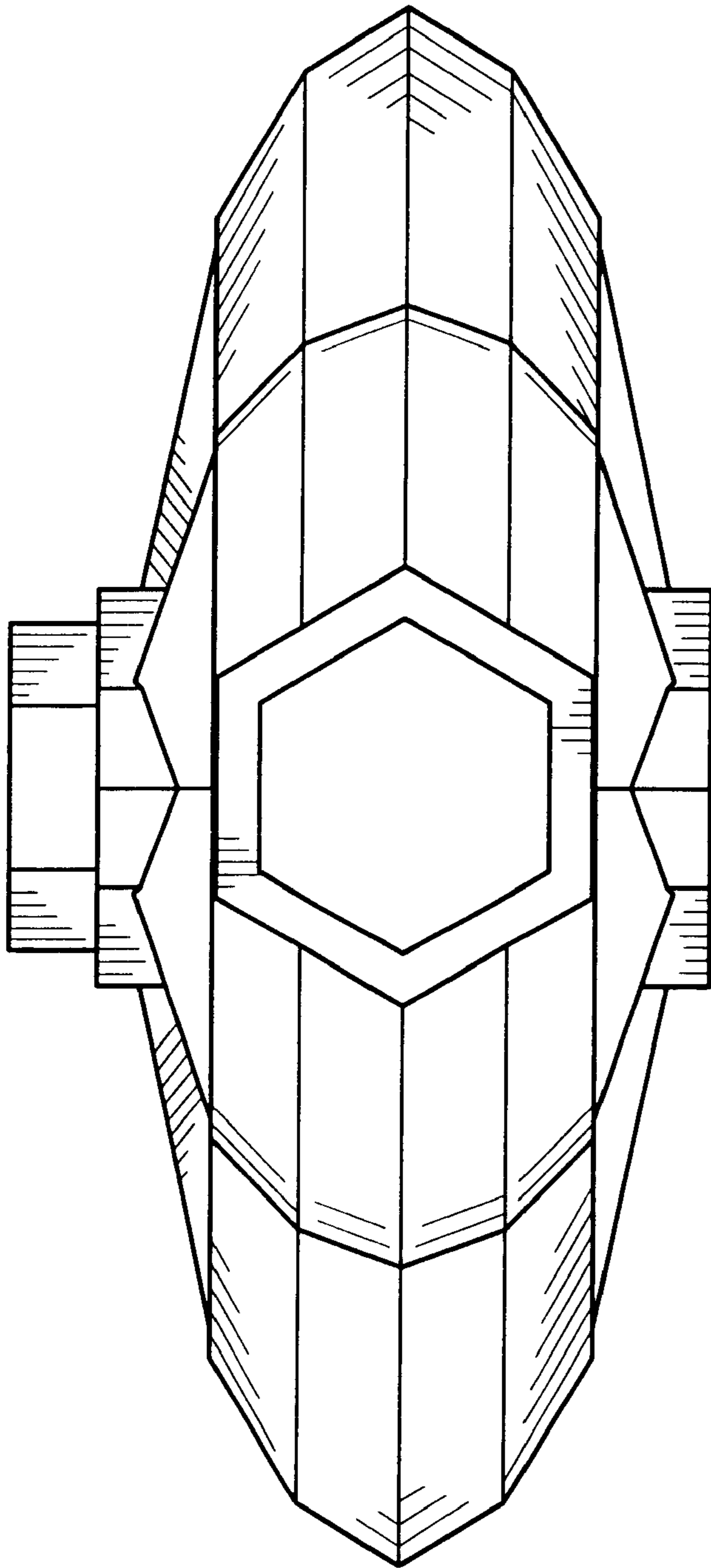


FIG. 5

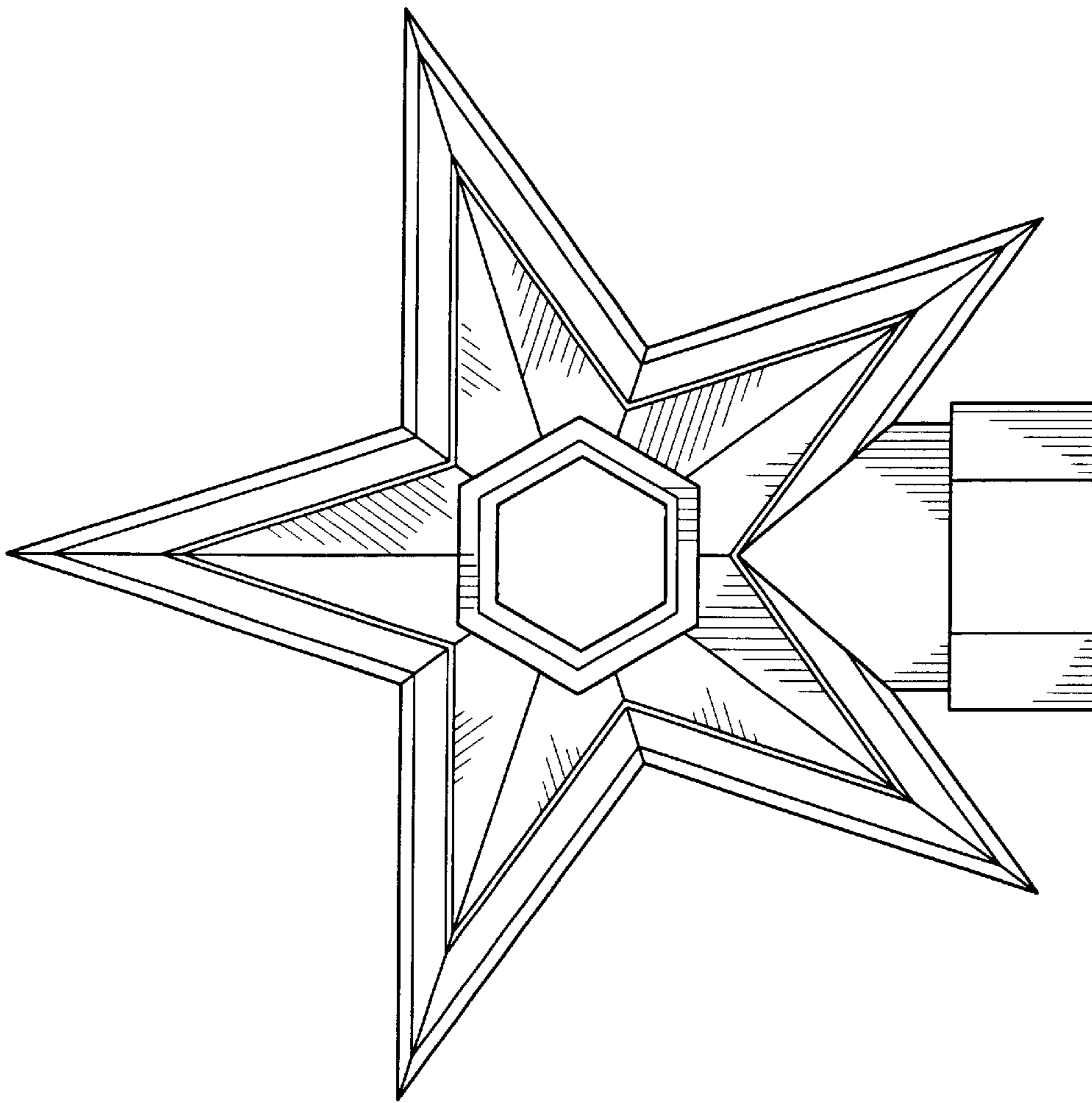


FIG. 6

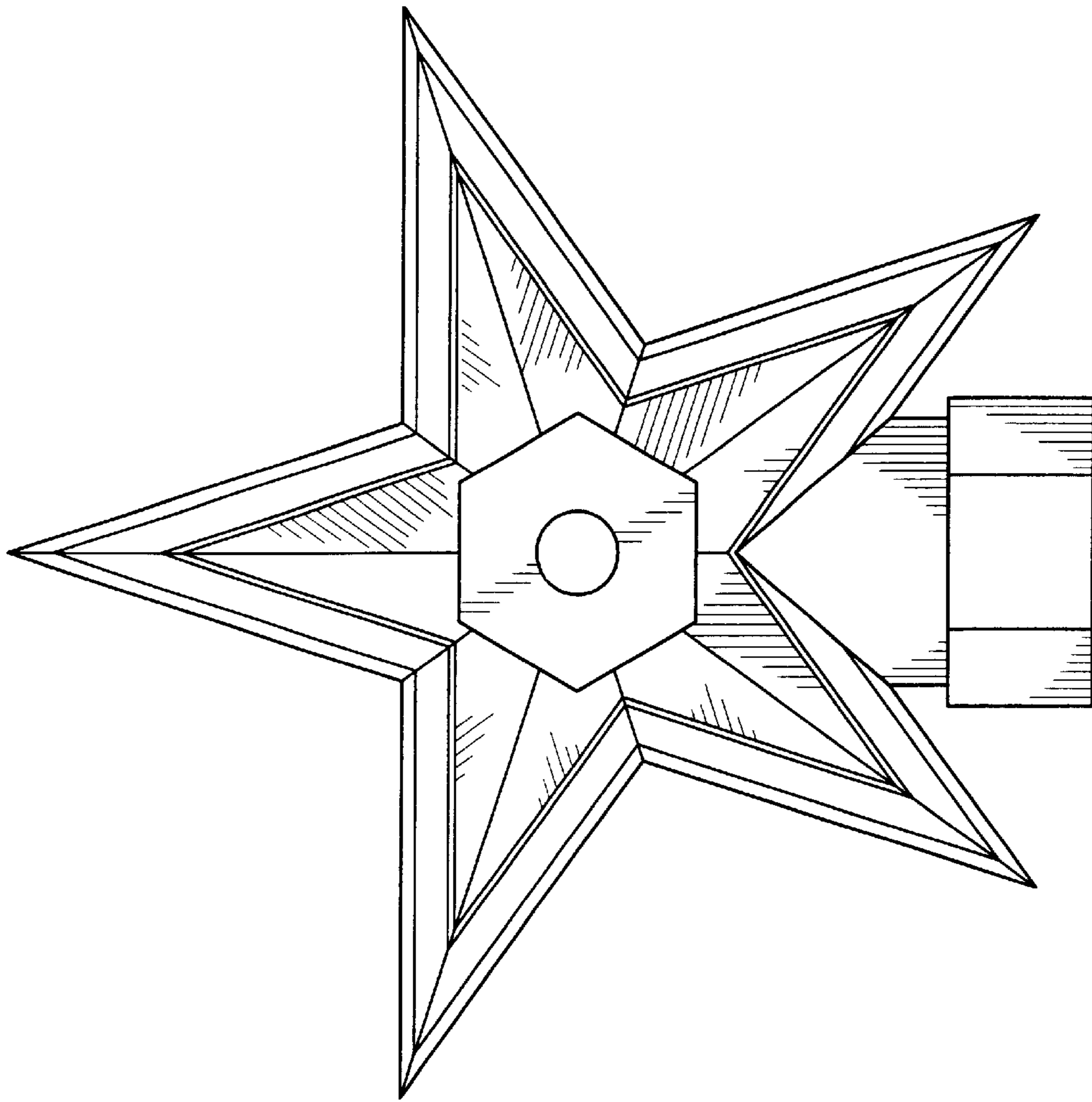


FIG. 7