



US00D465592S

(12) **United States Design Patent**  
**Lin**

(10) **Patent No.:** **US D465,592 S**

(45) **Date of Patent:** **\*\* Nov. 12, 2002**

(54) **ADJUSTABLE TRACKLIGHT**

(76) Inventor: **Shan Chaing Lin**, No. 2, Lane 111, Ta  
Chu Road, Lu Chu Hsiang, Taoyuan  
Hsien (TW)

(\*\*) Term: **14 Years**

(21) Appl. No.: **29/155,624**

(22) Filed: **Feb. 15, 2002**

(51) **LOC (7) Cl.** ..... **26-05**

(52) **U.S. Cl.** ..... **D26/65**

(58) **Field of Search** ..... D26/72, 80-96,  
D26/142, 152; 362/147, 404-406

(56) **References Cited**

**U.S. PATENT DOCUMENTS**

D319,512 S \* 8/1991 Lettenmayer ..... D26/63  
D443,093 S \* 5/2001 Chiang ..... D26/65

\* cited by examiner

*Primary Examiner*—Marcus A. Jackson  
(74) *Attorney, Agent, or Firm*—Troxell Law Office PLLC

(57) **CLAIM**

The ornamental design for an adjustable tracklight, as shown.

**DESCRIPTION**

FIG. 1 is a front perspective view of an adjustable tracklight showing my new design;

FIG. 2 is a front elevational view thereof;

FIG. 3 is a rear elevational view thereof;

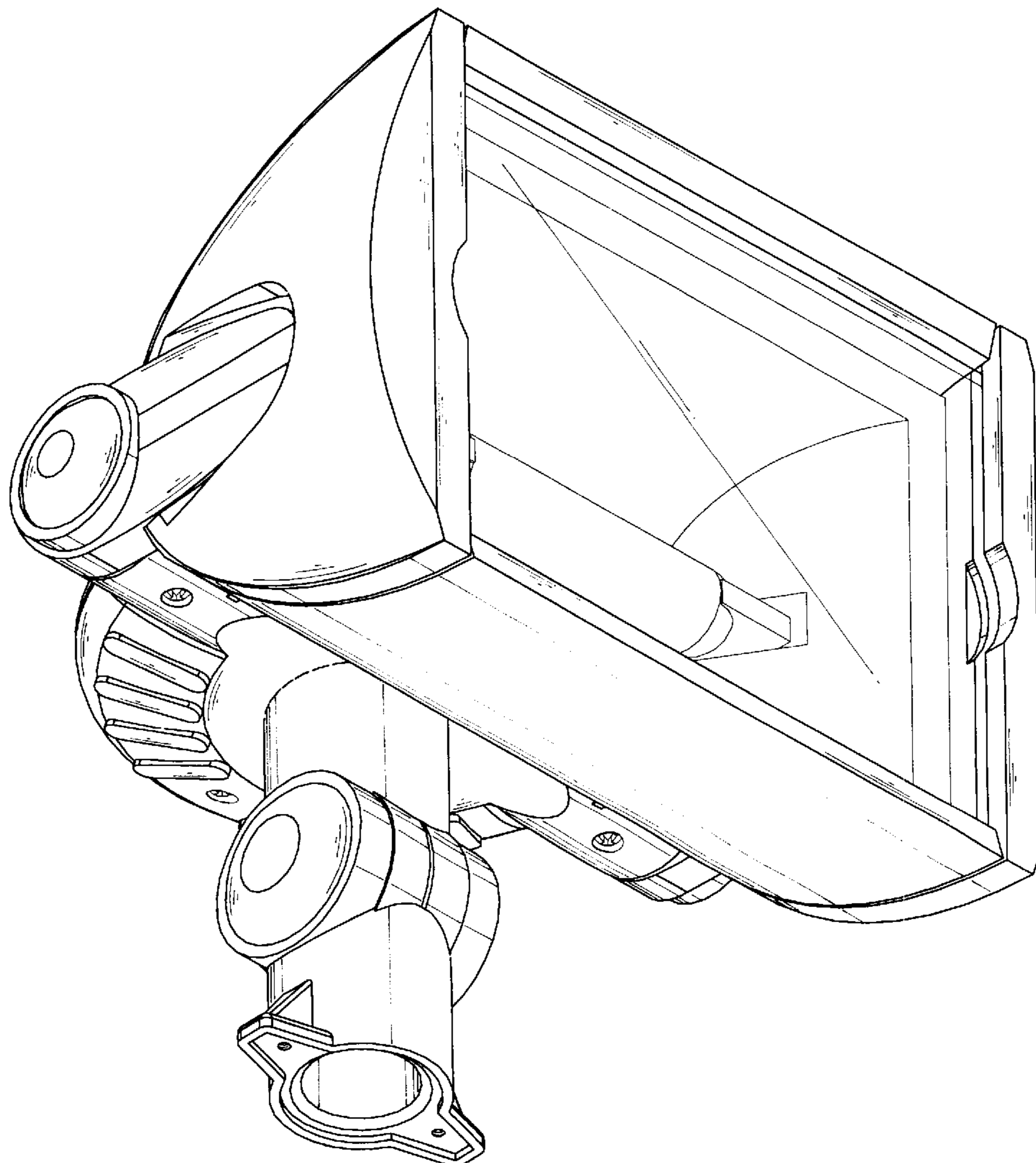
FIG. 4 is a left side elevational view thereof;

FIG. 5 is a right side elevational view thereof;

FIG. 6 is a top plan view thereof; and,

FIG. 7 is a bottom plan view thereof.

**1 Claim, 7 Drawing Sheets**



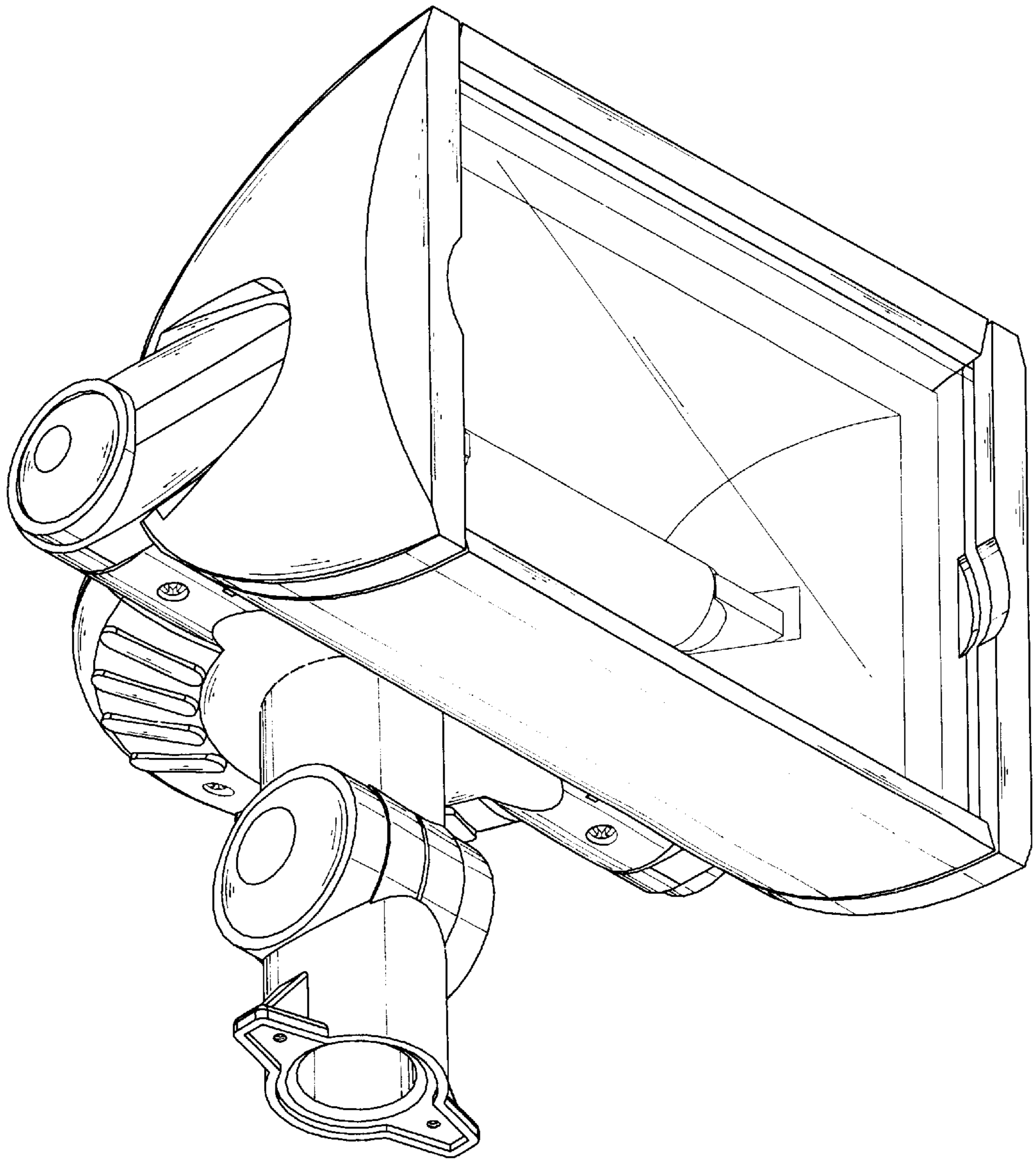


FIG. 1

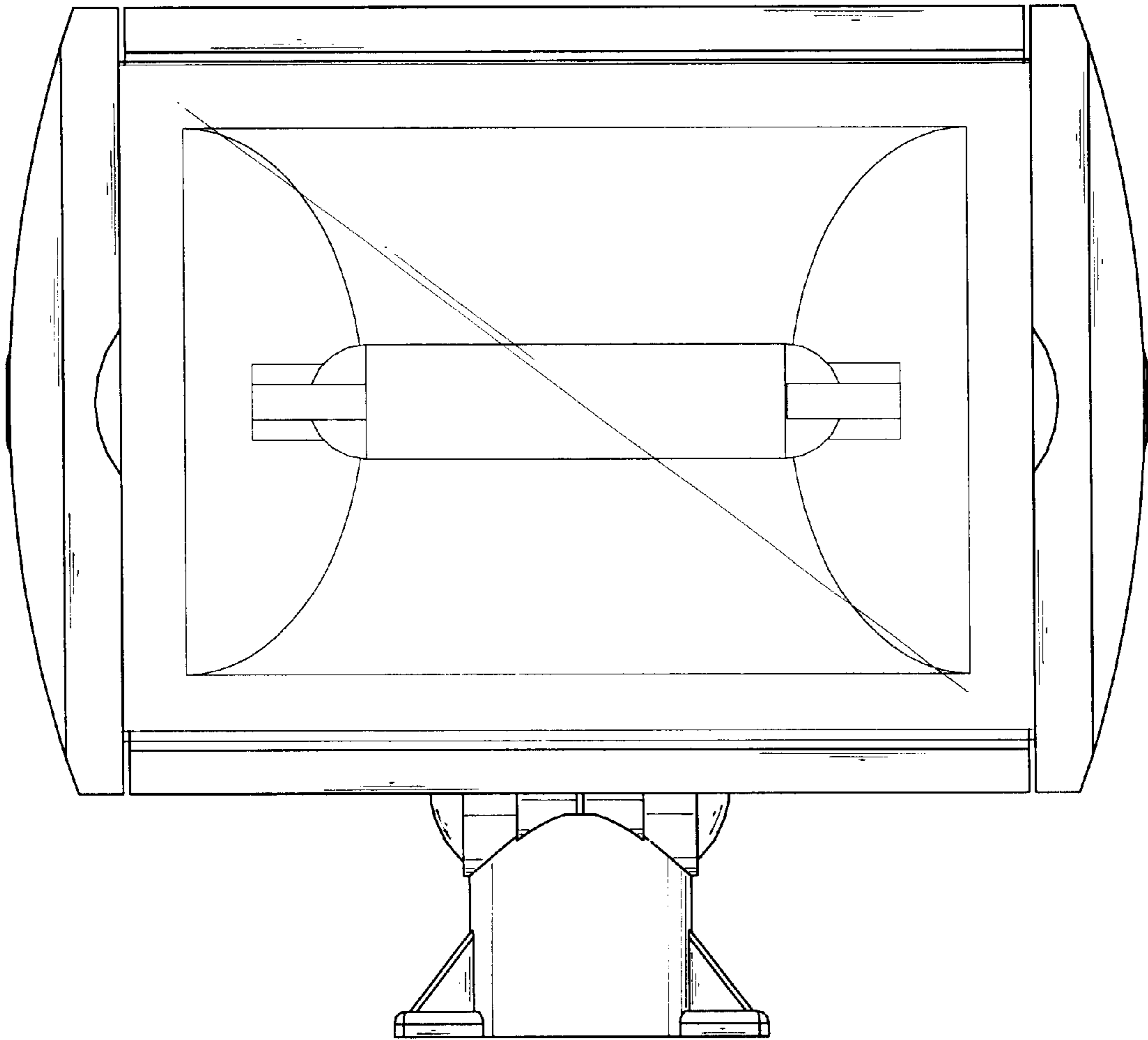


FIG. 2

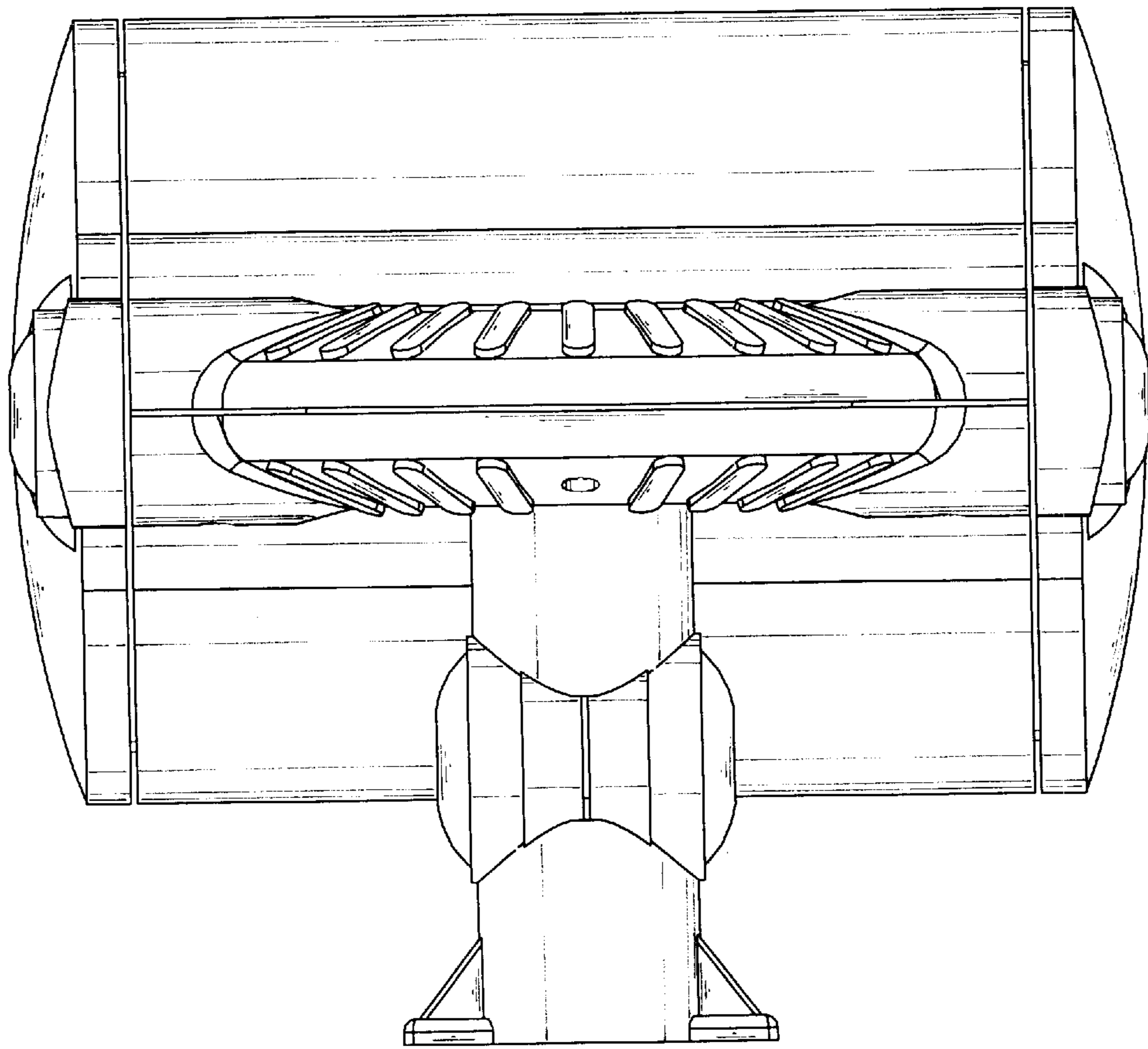


FIG.3

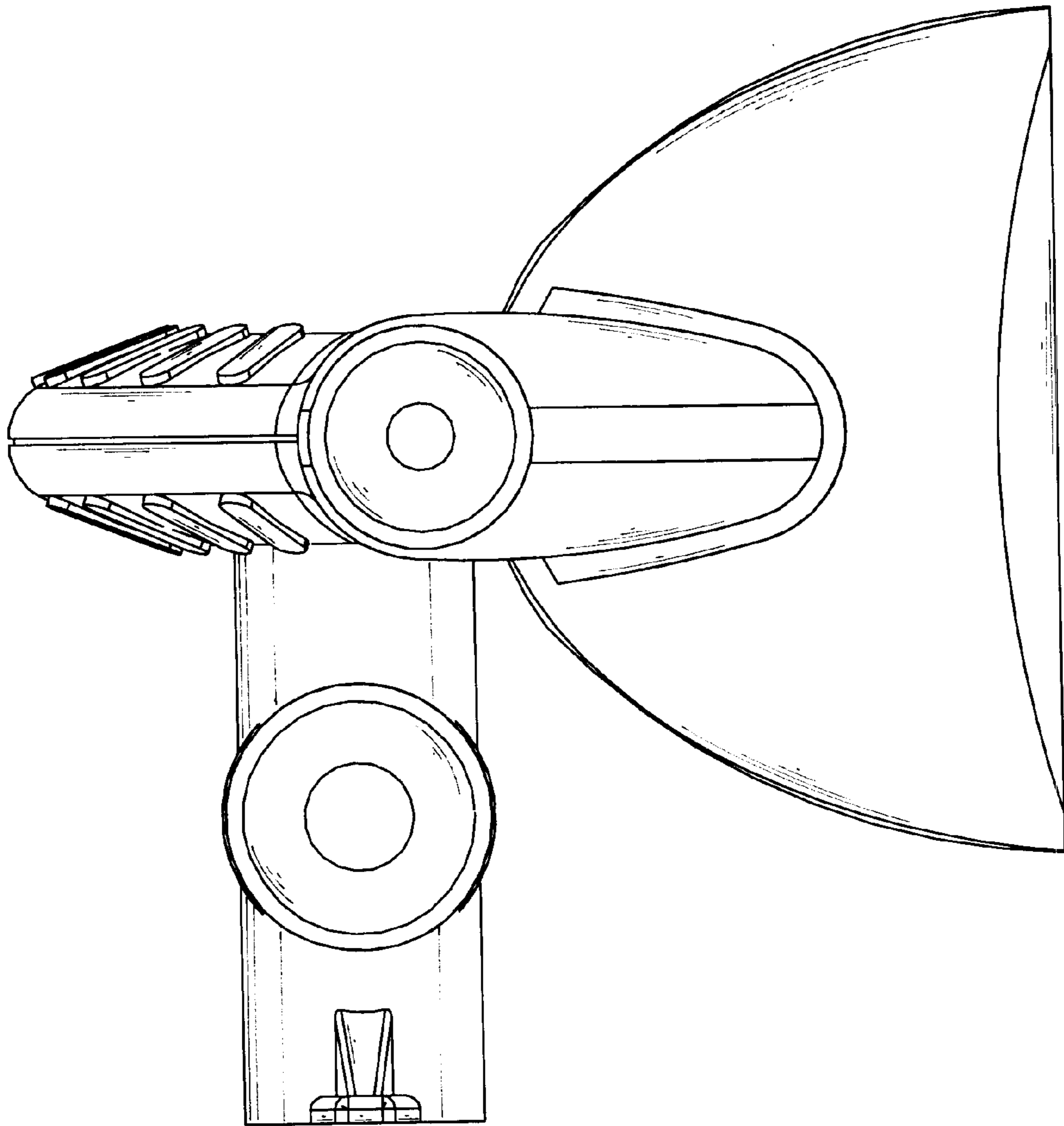


FIG. 4

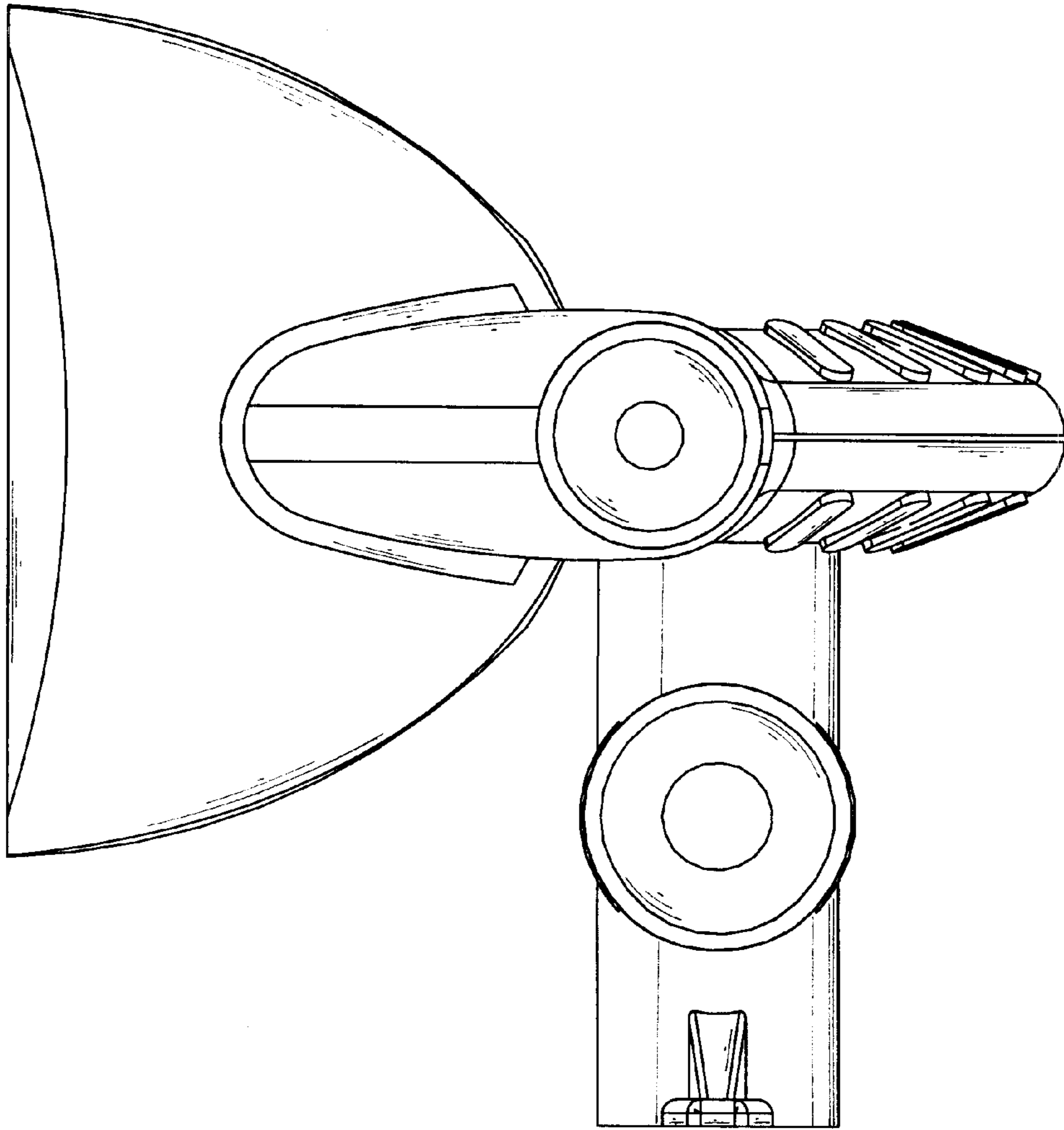


FIG.5

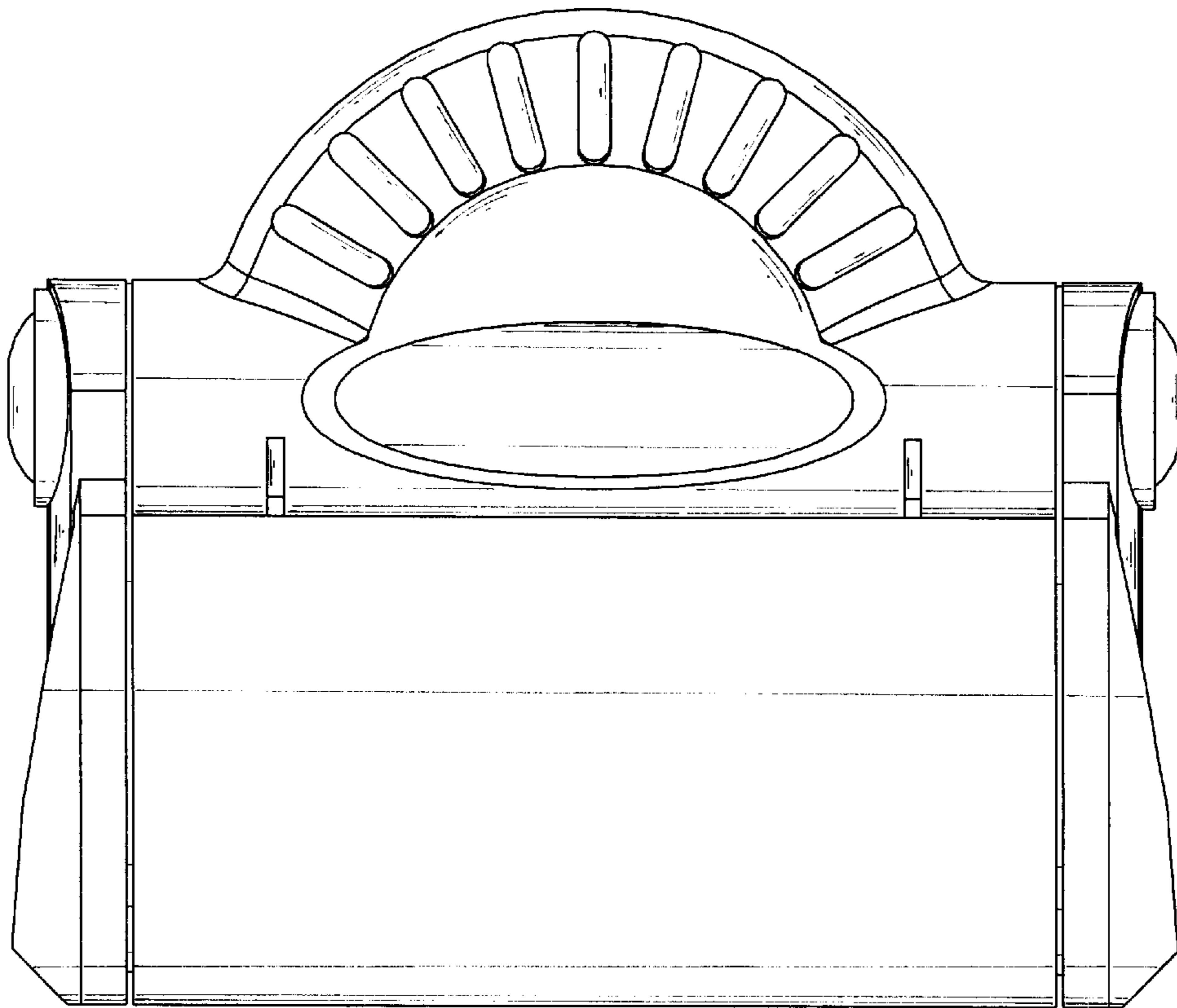


FIG.6

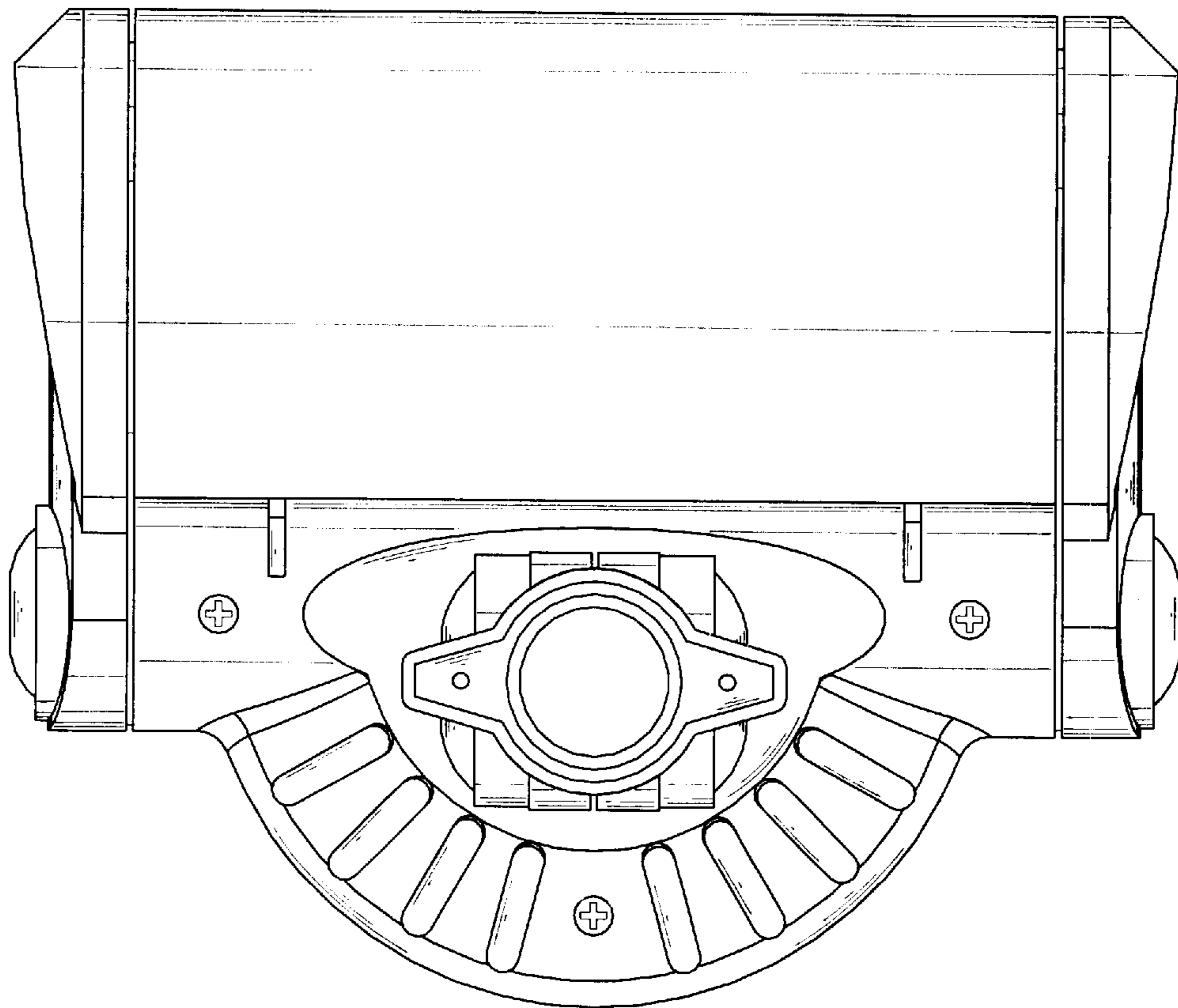


FIG. 7