



US00D465587S

(12) **United States Design Patent**  
**Papai**

(10) **Patent No.:** **US D465,587 S**

(45) **Date of Patent:** **\*\* Nov. 12, 2002**

(54) **COVER FOR A CONTAINERIZED CANDLE**

(75) **Inventor:** **Tod A. Papai, LaPorte, IN (US)**

(73) **Assignee:** **Smith Mountain Properties, LLC.,  
Forest, VA (US)**

(\*\*) **Term:** **14 Years**

(21) **Appl. No.:** **29/152,530**

(22) **Filed:** **Dec. 21, 2001**

**Related U.S. Application Data**

(62) **Division of application No. 29/139,153, filed on Mar. 26,  
2001.**

(51) **LOC (7) Cl. .... 26-01**

(52) **U.S. Cl. .... D26/23**

(58) **Field of Search .... D26/9, 10, 11,  
D26/13, 23; 431/431, 295**

(56) **References Cited**

**U.S. PATENT DOCUMENTS**

2,237,523 A \* 4/1941 Damon ..... 431/291

D226,240 S \* 1/1973 Twedt ..... D26/6

D425,636 S \* 5/2000 Freeman ..... D26/6

6,231,336 B1 \* 5/2001 Chen ..... 431/291

6,241,513 B1 \* 6/2001 Jeneral ..... 431/291

\* cited by examiner

*Primary Examiner*—Robin V. Taylor

(74) *Attorney, Agent, or Firm*—R. Tracy Crump

(57) **CLAIM**

The ornamental design of the cover for a containerized candle, as shown.

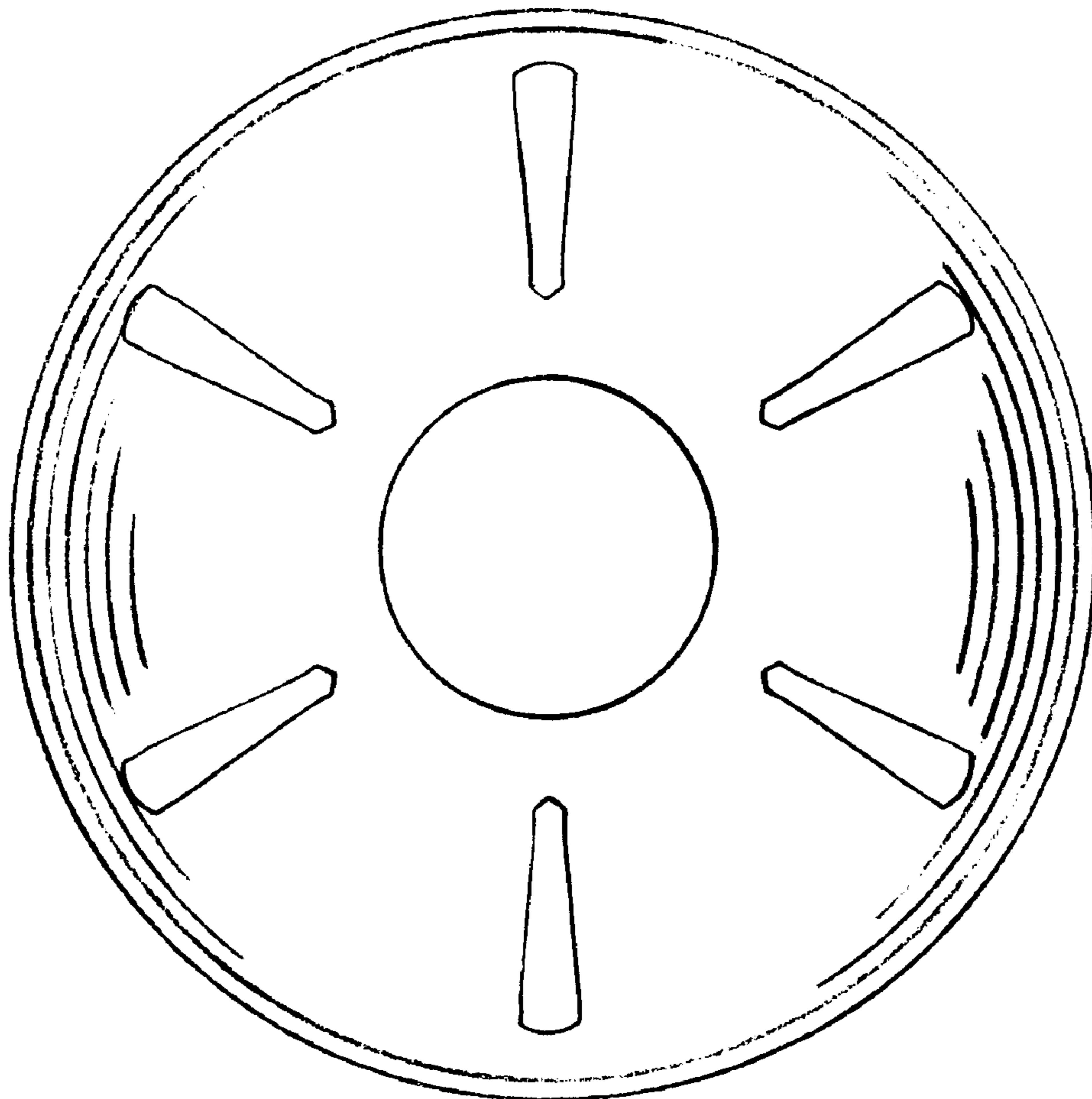
**DESCRIPTION**

FIG. 1 is a top plan view of the cover of this invention;

FIG. 2 is a bottom plan view of the cover of this invention;  
and,

FIG. 3 is a side elevation view of the cover of this invention.

**1 Claim, 1 Drawing Sheet**



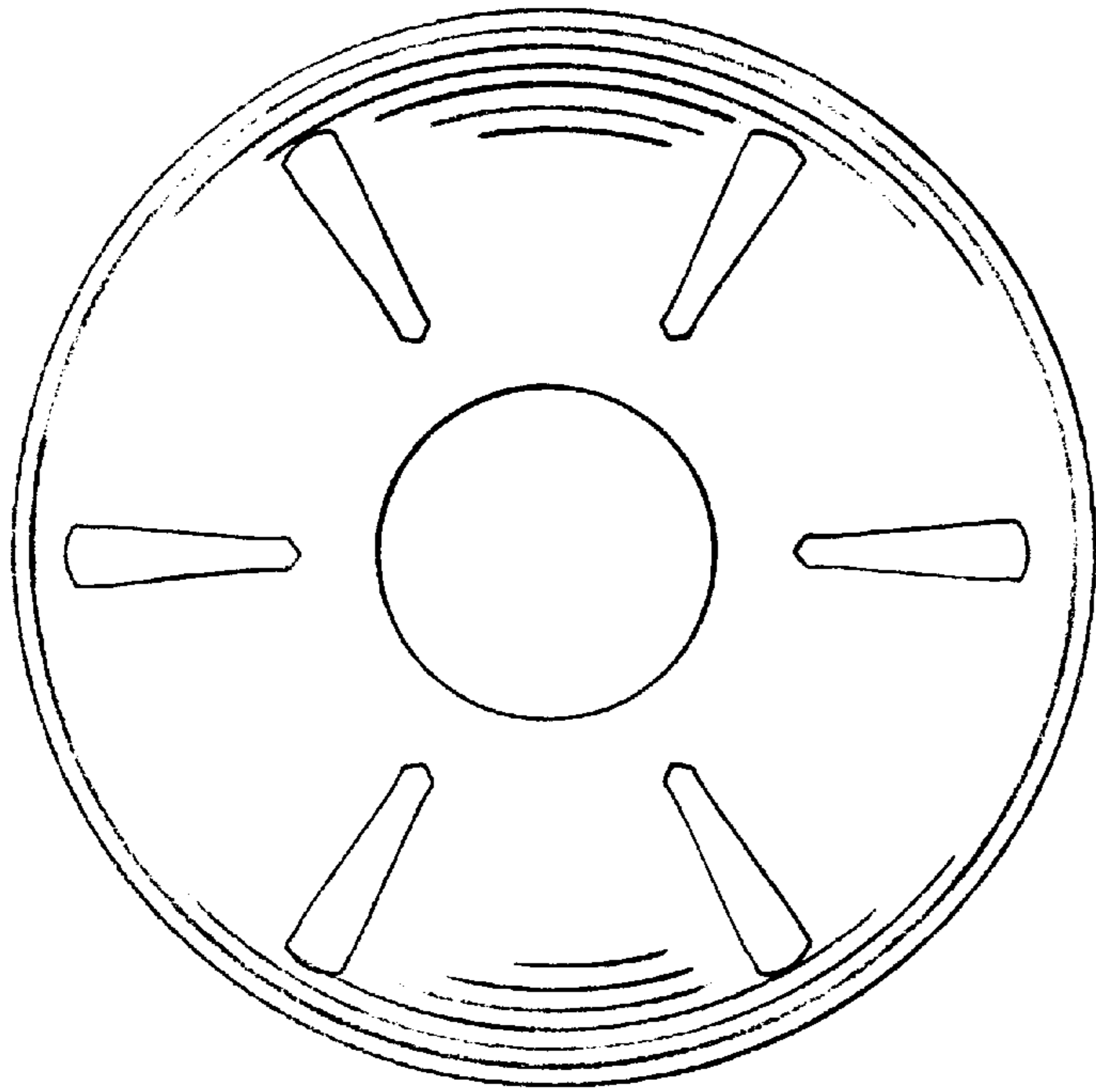


FIG. 2

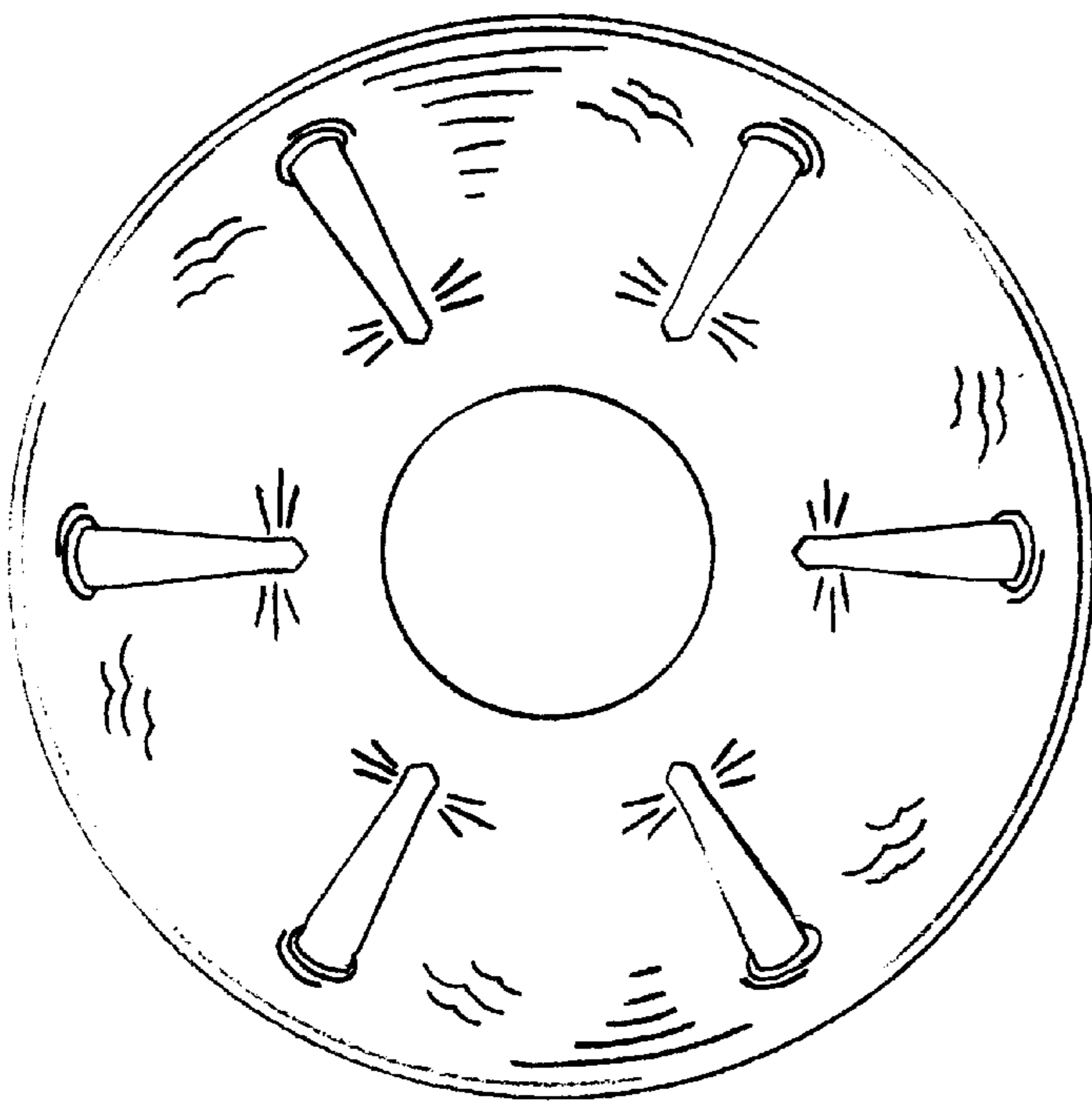


FIG. 1



FIG. 3