



US00D465580S

(12) **United States Design Patent**
Wall

(10) **Patent No.:** **US D465,580 S**

(45) **Date of Patent:** **** Nov. 12, 2002**

(54) **CONNECTION ELEMENT FOR SHEET PILES**

3,696,855 A * 10/1972 Kira 24/573.09
D411,018 S * 6/1999 Nowell D25/61

(76) **Inventor:** **Georg Wall**, Hans-Graessel-Weg 20,
D-81375 Munich (DE)

* cited by examiner

(**) **Term:** **14 Years**

Primary Examiner—Doris Clark
(74) *Attorney, Agent, or Firm*—Milde & Hoffberg, LLP

(21) **Appl. No.:** **29/148,887**

(22) **Filed:** **Sep. 28, 2001**

(30) **Foreign Application Priority Data**

Mar. 30, 2001 (DE) 4 01 05 732

(51) **LOC (7) Cl.** **25-02**

(52) **U.S. Cl.** **D25/61**

(58) **Field of Search** 405/279, 278,
405/274–277, 231, 252.1; 52/169.7; 24/573.09;
D25/61, 126, 121

(57) **CLAIM**

The ornamental design for a connection element for sheet piles, as shown and described.

DESCRIPTION

FIG. 1 is a perspective view of the connection element for sheet piles according to my design; and,

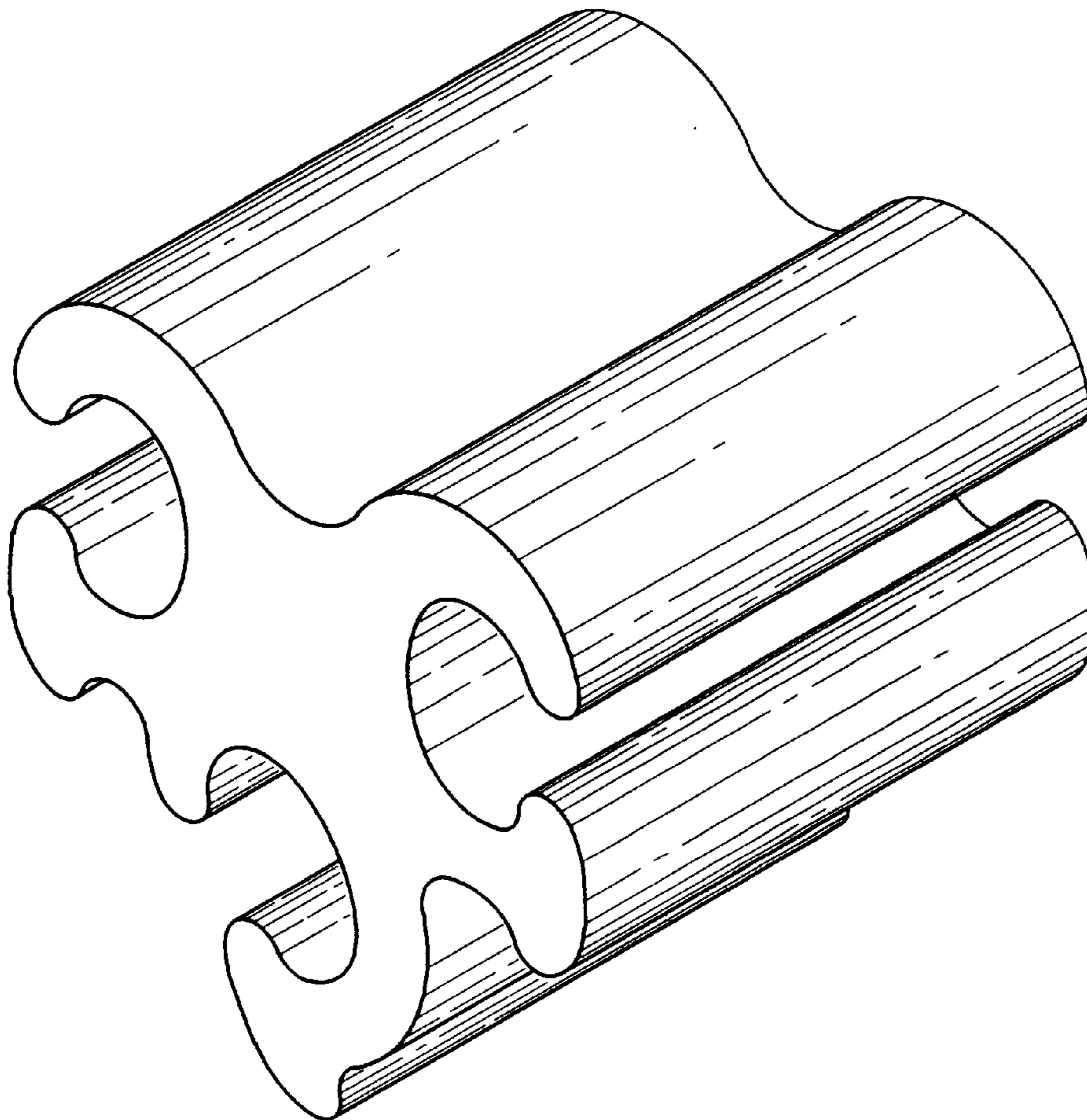
FIG. 2 is an end view of the connection element for sheet piles according to my design.

(56) **References Cited**

U.S. PATENT DOCUMENTS

1,098,077 A * 5/1914 Annison 405/279

1 Claim, 2 Drawing Sheets



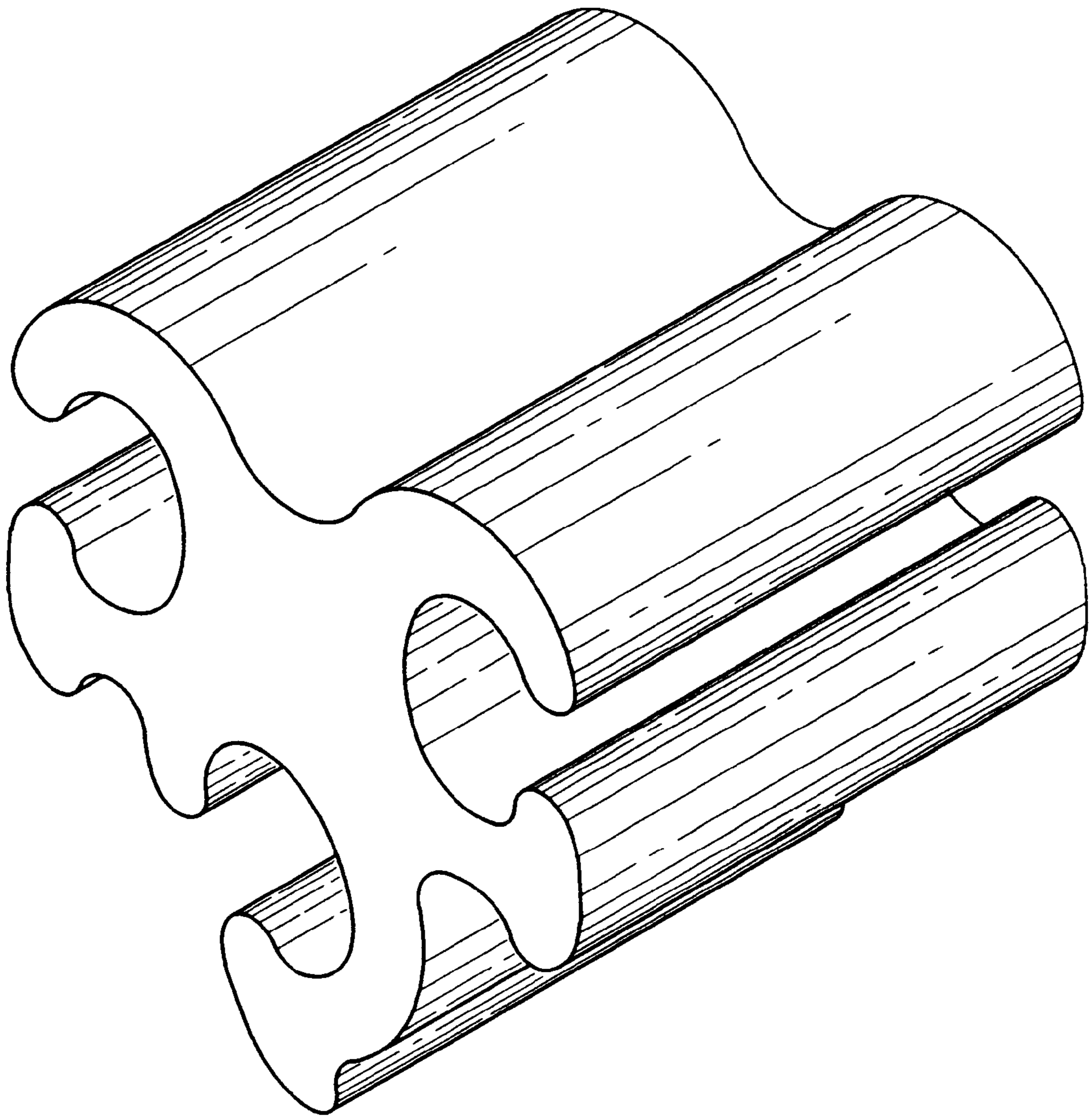


FIG.1

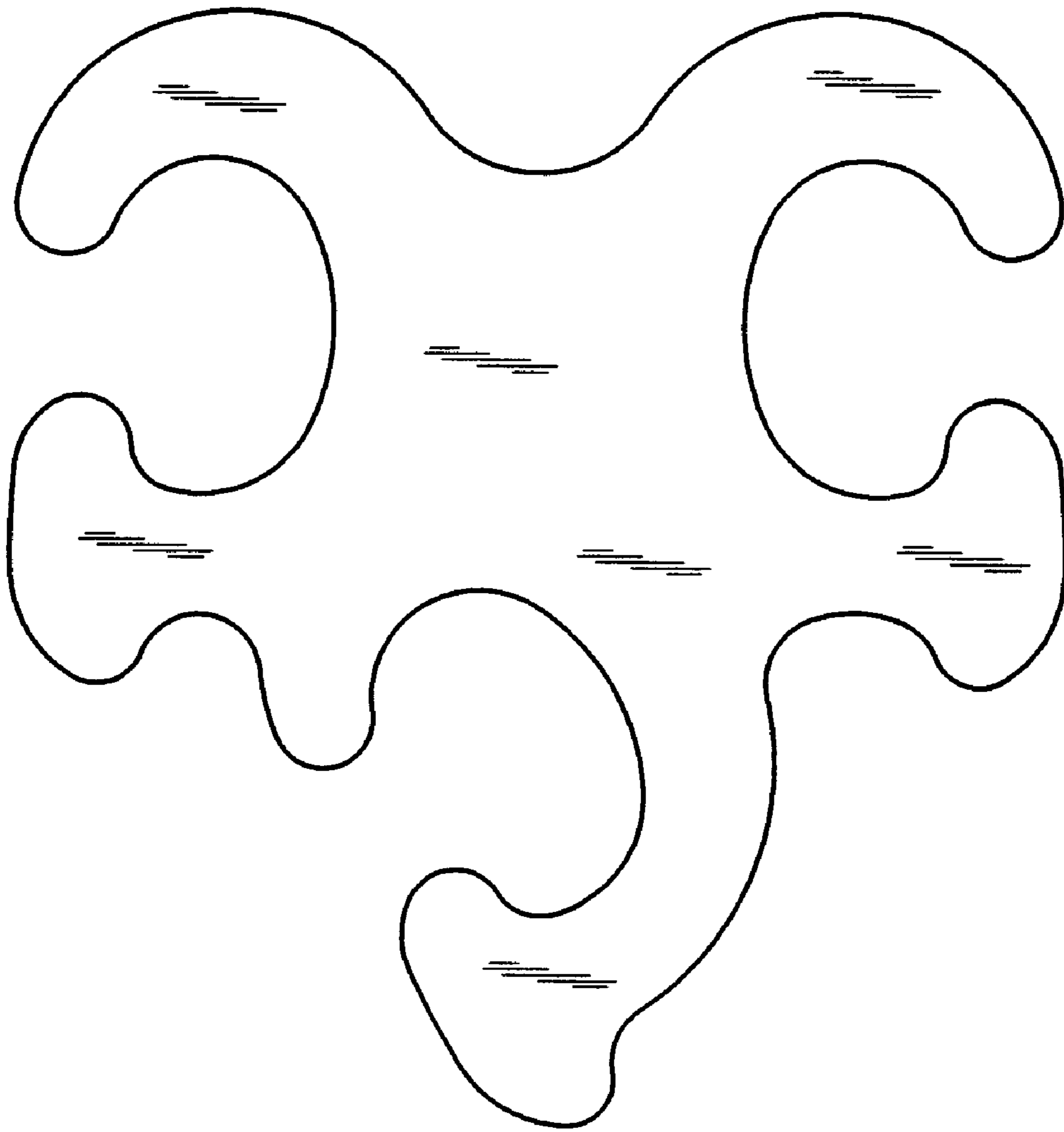


FIG.2