



US00D465576S

(12) **United States Design Patent**  
**Larsen**

(10) **Patent No.:** **US D465,576 S**

(45) **Date of Patent:** **\*\* Nov. 12, 2002**

(54) **PORTABLE SPA**

(75) **Inventor:** **Christopher Larsen, Vista, CA (US)**

(73) **Assignee:** **Watkins Manufacturing Corporation,**  
**Vista, CA (US)**

(\*\*) **Term:** **14 Years**

(21) **Appl. No.:** **29/150,430**

(22) **Filed:** **Nov. 21, 2001**

(51) **LOC (7) Cl.** ..... **24-04**

(52) **U.S. Cl.** ..... **D24/204**

(58) **Field of Search** ..... D24/204, 205,  
D24/201; 4/541.1, 541.2, 541.3, 541.4,  
541.5, 541.6

(56) **References Cited**

**U.S. PATENT DOCUMENTS**

D277,985 S	*	3/1985	Kingsley	.....	D24/204
D301,374 S	*	5/1989	D'Innocente	.....	D24/204
D305,061 S	*	12/1989	Pauls et al.	.....	D24/205
D310,566 S	*	9/1990	Jacuzzi	.....	D24/205
D333,699 S	*	3/1993	Jacuzzi et al.	.....	D23/280.1
D395,075 S	*	6/1998	Kolada	.....	D23/277
D405,182 S	*	2/1999	Larsen	.....	D24/204
D405,185 S	*	2/1999	Larsen	.....	D24/204
D405,186 S	*	2/1999	Larsen	.....	D24/204
D433,510 S	*	11/2000	Jacuzzi	.....	D24/204
D436,178 S	*	1/2001	Larsen et al.	.....	D24/204

D445,904 S	*	7/2001	Larsen	.....	D24/204
D446,309 S	*	8/2001	Bower	.....	D24/204
D446,310 S	*	8/2001	Bower	.....	D24/204
D446,862 S	*	8/2001	Larsen et al.	.....	D24/204

\* cited by examiner

*Primary Examiner*—Stella Reid

(74) *Attorney, Agent, or Firm*—Price and Gess

(57) **CLAIM**

The ornamental design for a portable spa, as shown and described.

**DESCRIPTION**

FIG. 1 is a top plan view of the portable spa according to the present invention;

FIG. 2 is a front perspective view of the portable spa of FIG. 1;

FIG. 3 is a right rear perspective view of the portable spa of FIG. 1;

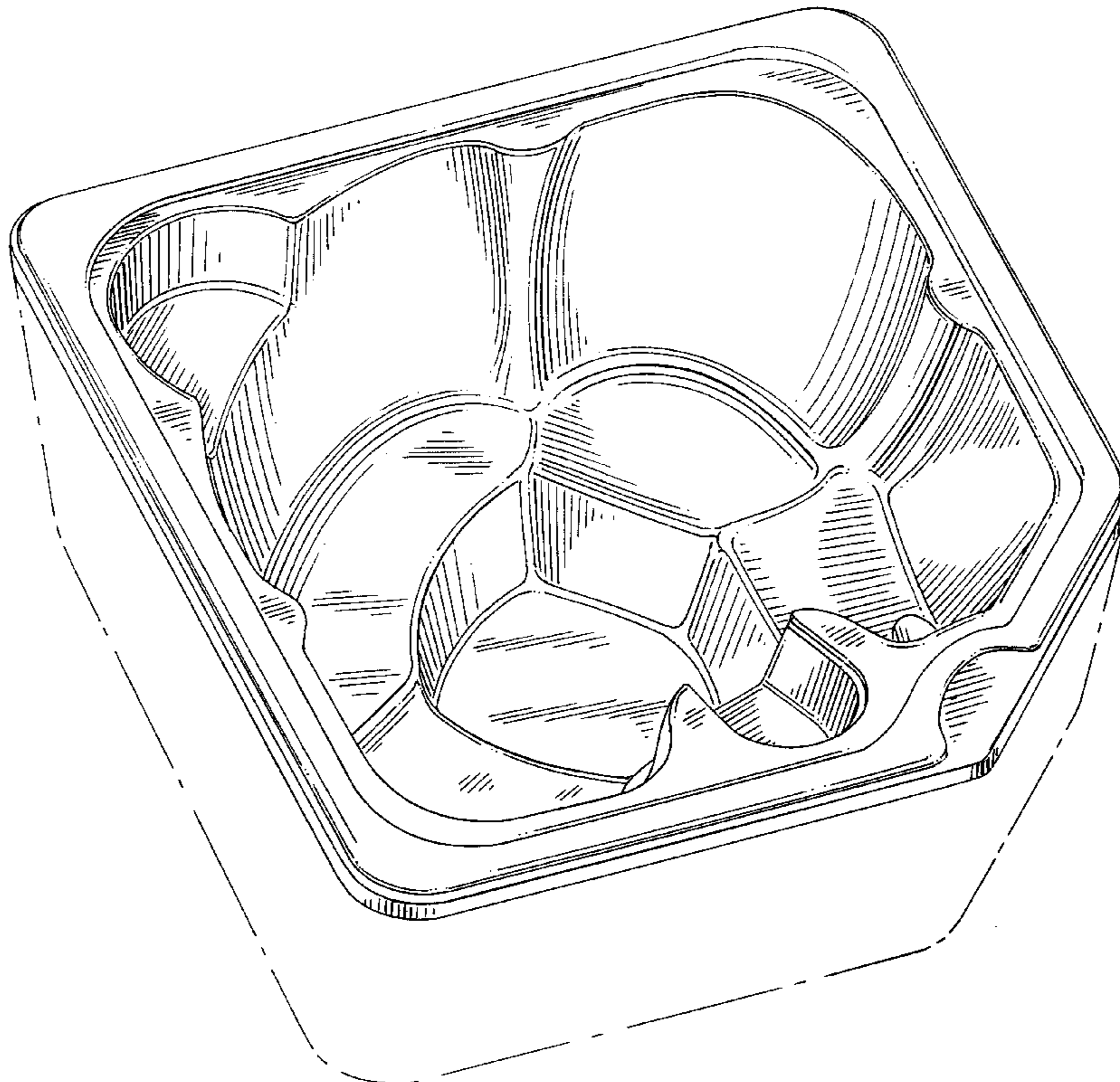
FIG. 4 is a left rear perspective view of the portable spa of FIG. 1;

FIG. 5 is a rear perspective view of the portable spa of FIG. 1; and,

FIG. 6 is a left side perspective view of the portable spa of FIG. 1.

The broken line showing is for illustrative purposes only and forms no part of the claimed design.

**1 Claim, 6 Drawing Sheets**



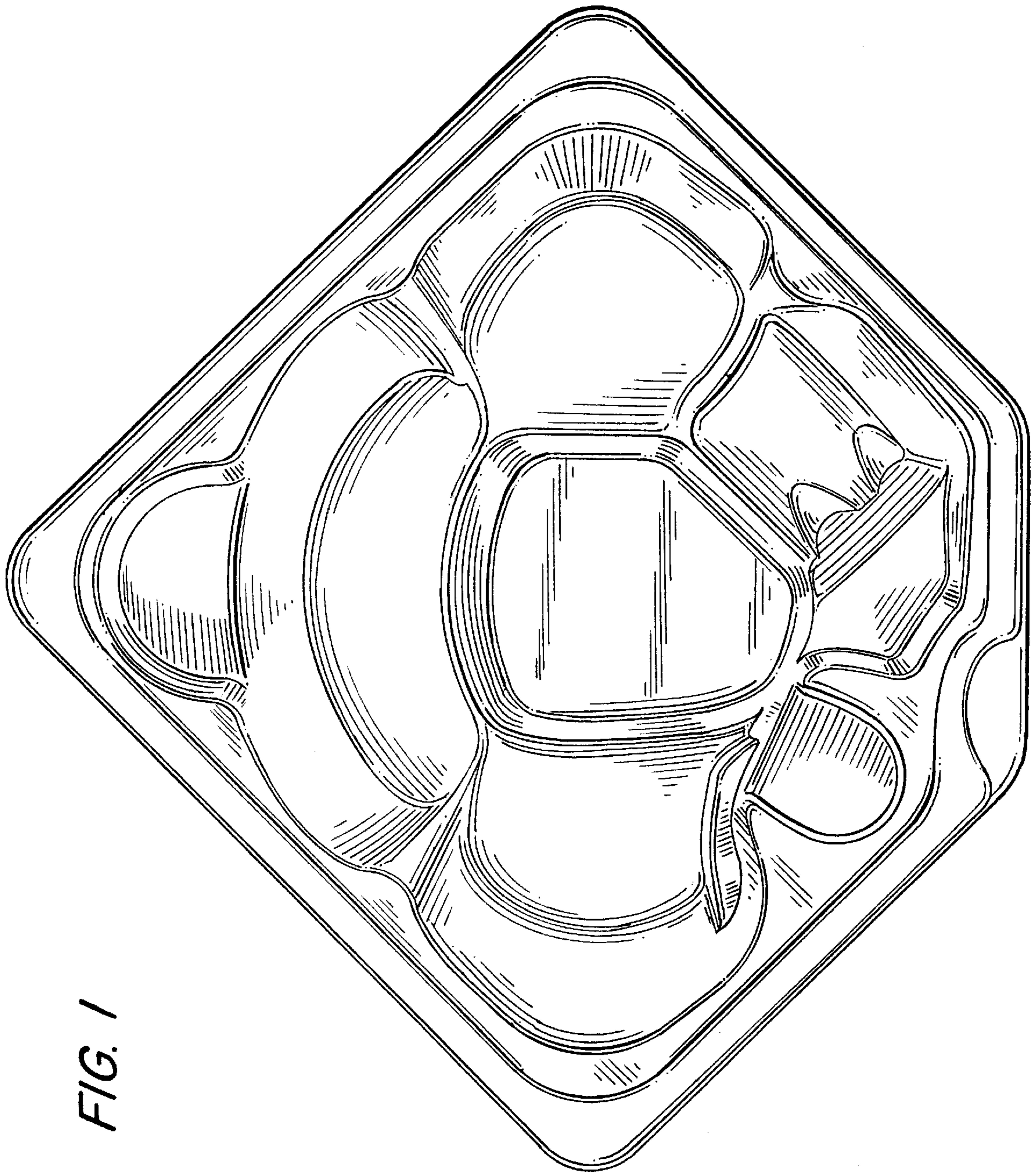


FIG. 1



FIG. 2

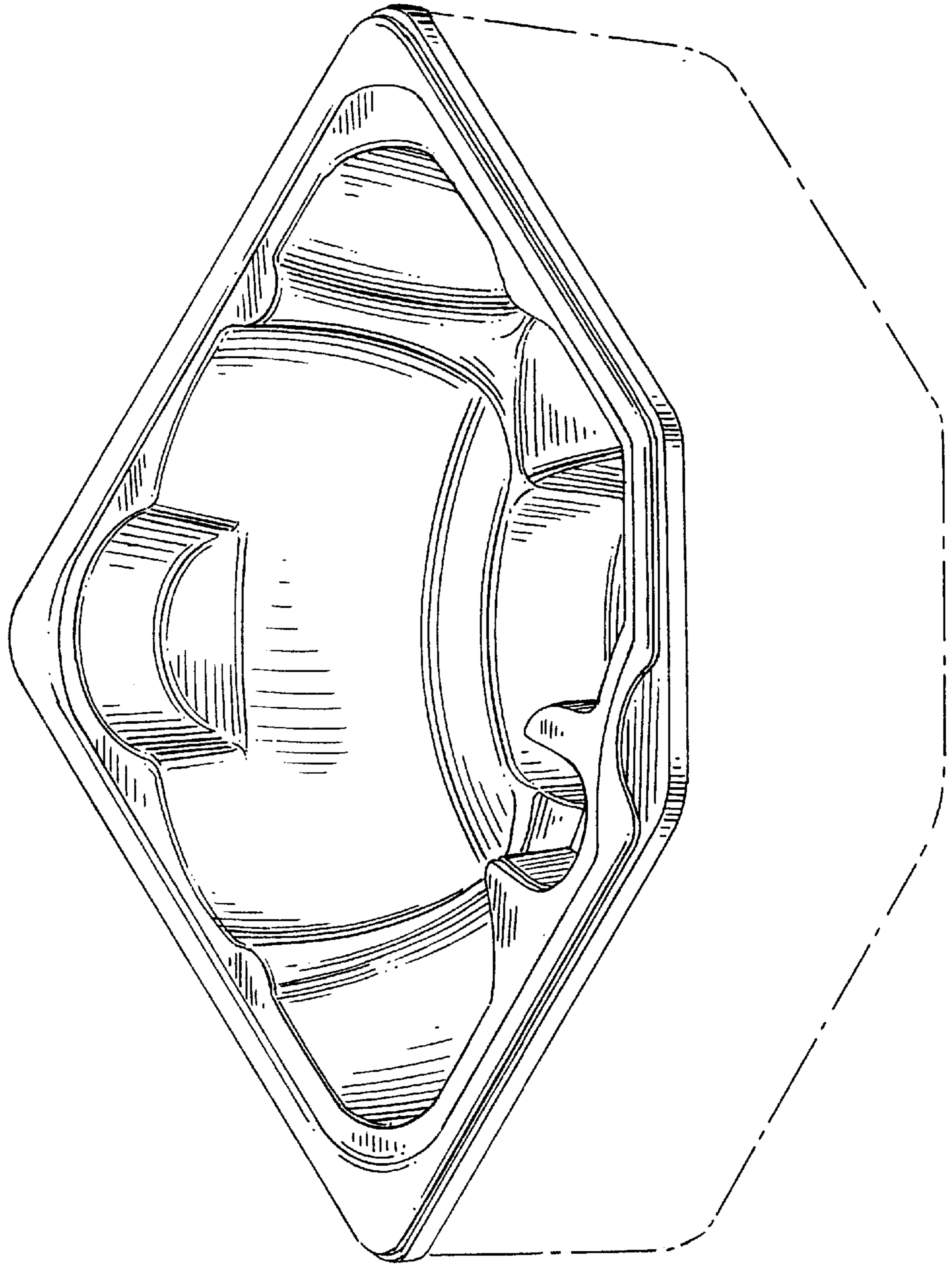
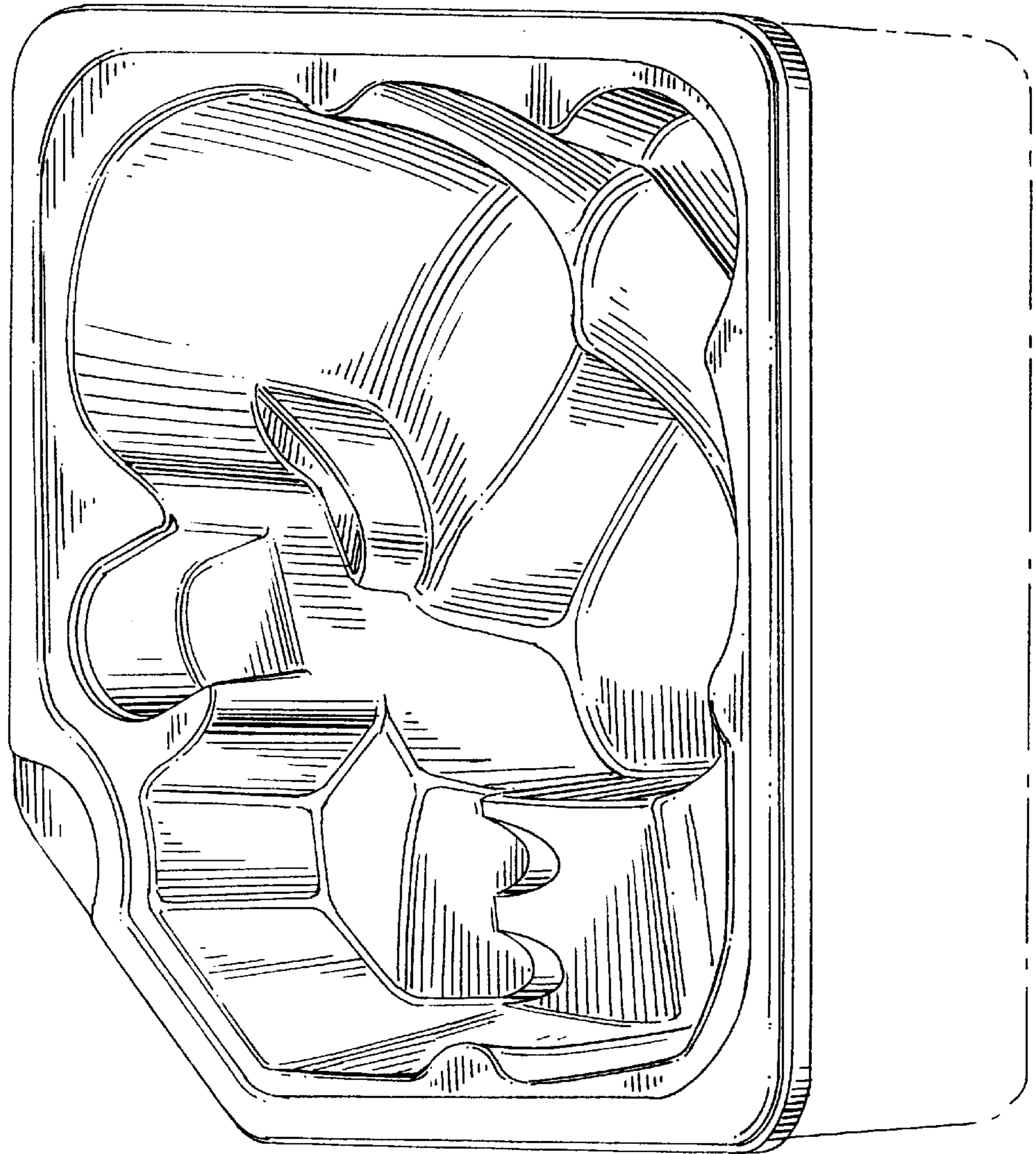


FIG. 3



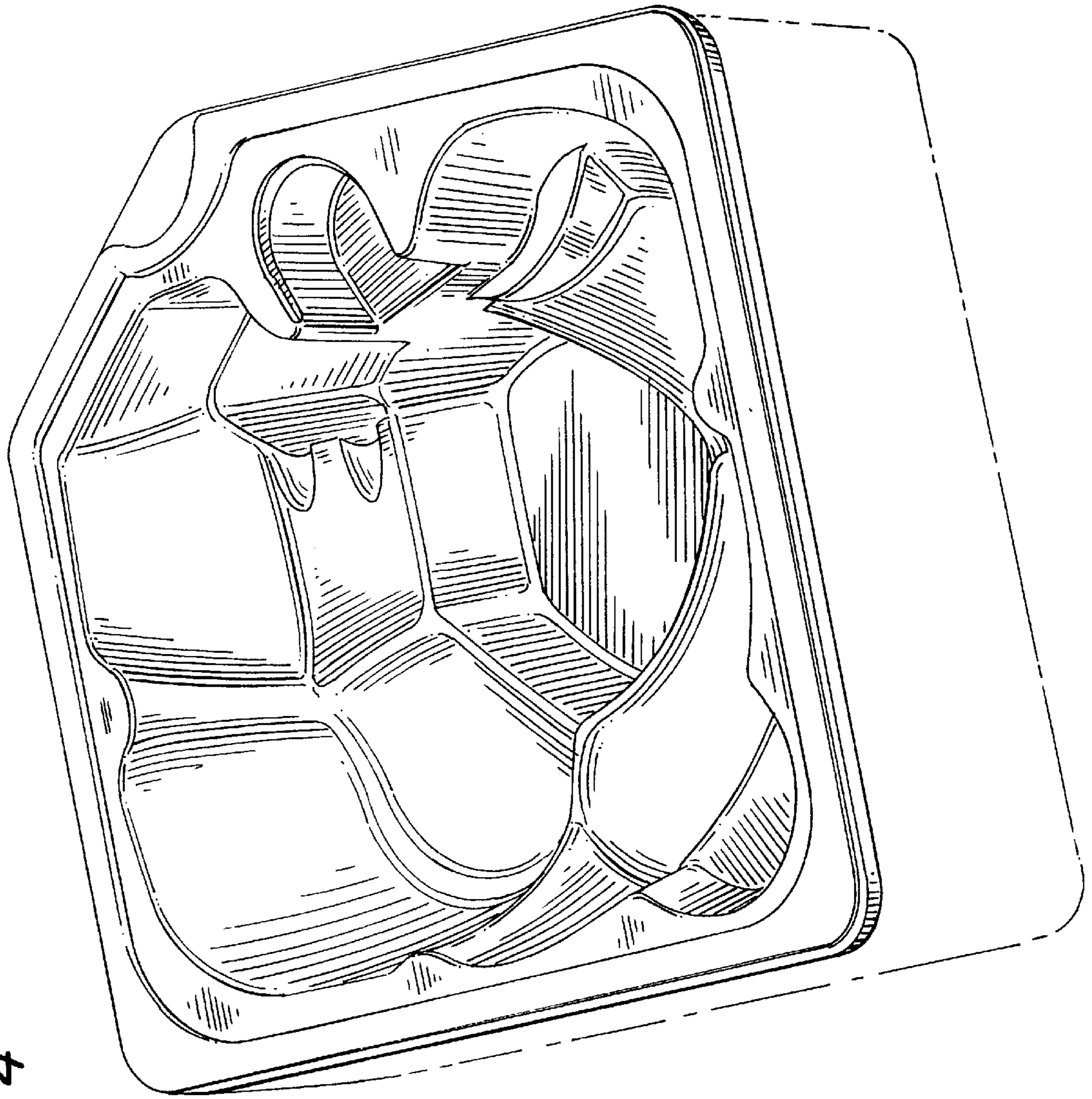
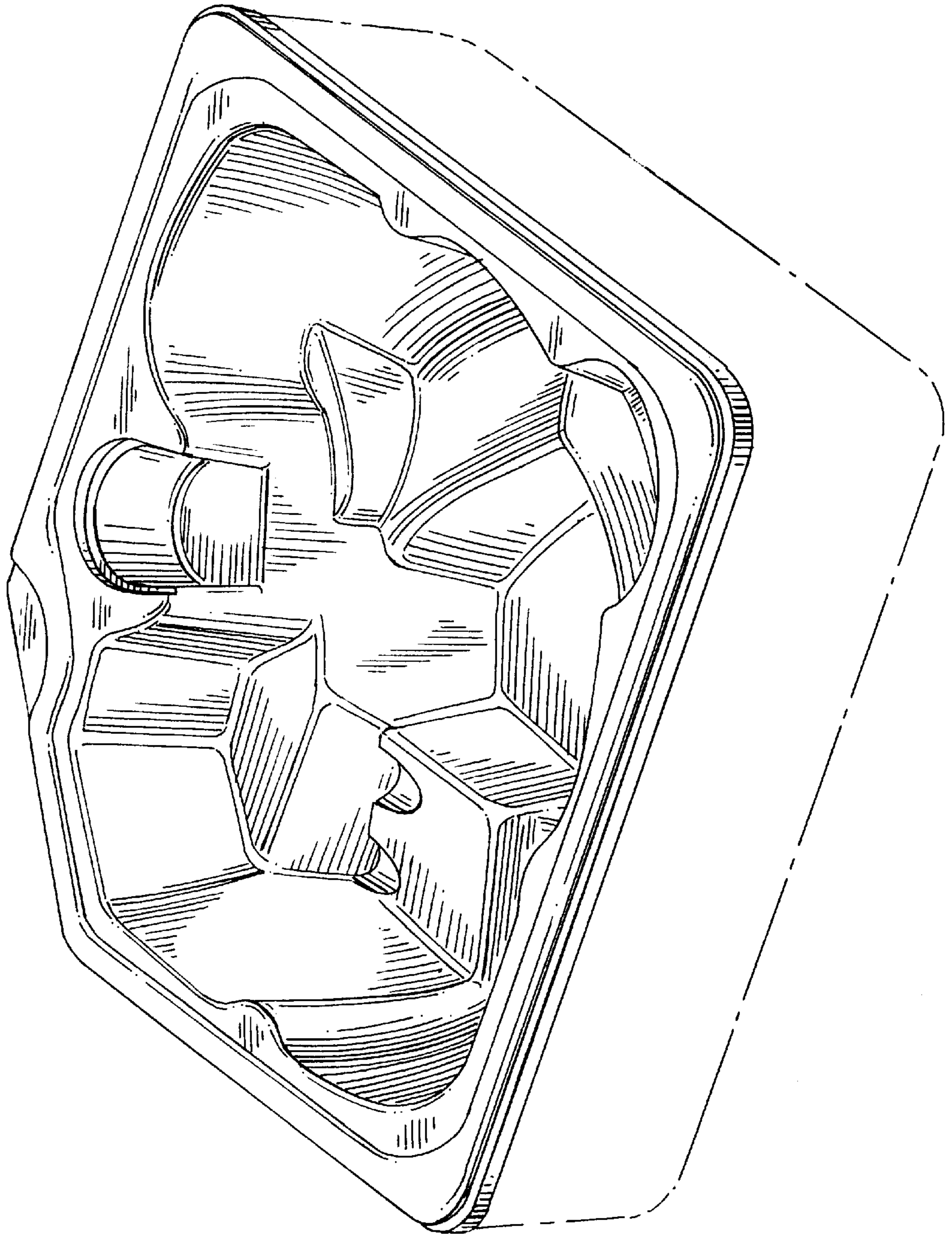


FIG. 4



FIG. 5



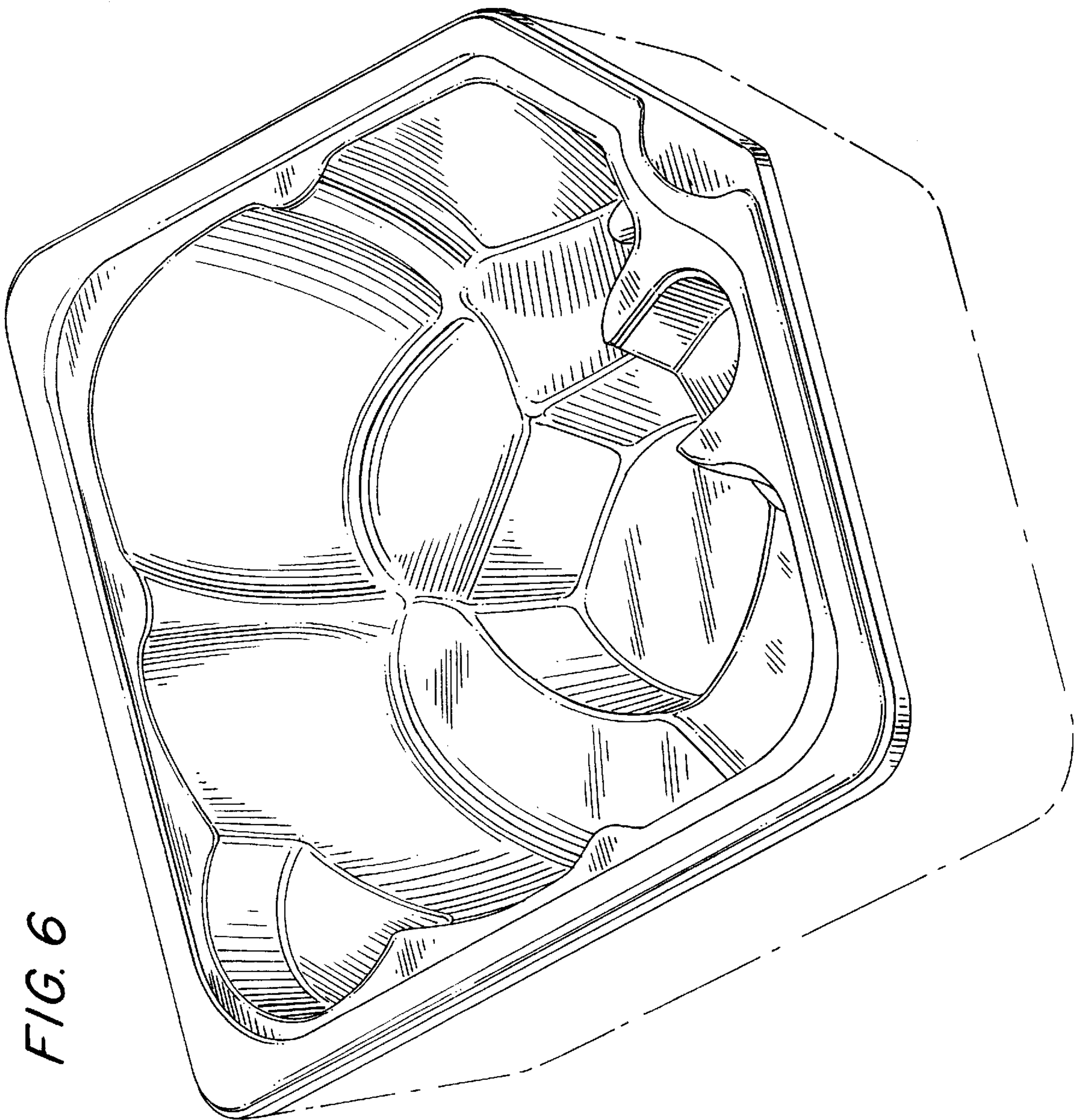


FIG. 6