



US00D465565S

(12) **United States Design Patent**
Twito

(10) **Patent No.:** **US D465,565 S**

(45) **Date of Patent:** **** Nov. 12, 2002**

(54) **MODULAR DISTRIBUTOR FOR AIR
CONDITIONING SYSTEMS**

D397,202 S * 8/1998 Saar D23/393
5,934,994 A * 8/1999 Wylie et al. 454/333
6,203,074 B1 * 3/2001 Daniel 285/424

(75) Inventor: **Israel Twito, Herzlia (IL)**

OTHER PUBLICATIONS

(73) Assignee: **Twitoplast, Ltd. (IL)**

1998/99 Vent-Axia Catalog page showing Duct "Y" Pieces and 3-Way Splitters (Vent-Axia Stock Ref. Nos. 45 20 76 thru 45 20 85 and Stock Ref. Nos. 105 51 250 and 105 53 400).

(**) Term: **14 Years**

* cited by examiner

(21) Appl. No.: **29/135,237**

Primary Examiner—B. J. Bullock

(22) Filed: **Jan. 8, 2001**

(74) *Attorney, Agent, or Firm*—Medlen & Carroll LLP

(30) **Foreign Application Priority Data**

Jul. 9, 2000 (IL) 33784

(57) **CLAIM**

(51) **LOC (7) Cl.** **23-04**

I claim the ornamental design for a modular distributor for air conditioning systems, substantially as shown and described.

(52) **U.S. Cl.** **D23/354**

(58) **Field of Search** D23/351, 354,
D23/393; 454/333, 335, 360–362, 339,
358, 347, 309, 313, 330; 236/45; 137/561 A;
138/37, 40, 111, 44; 285/131.1, 424

DESCRIPTION

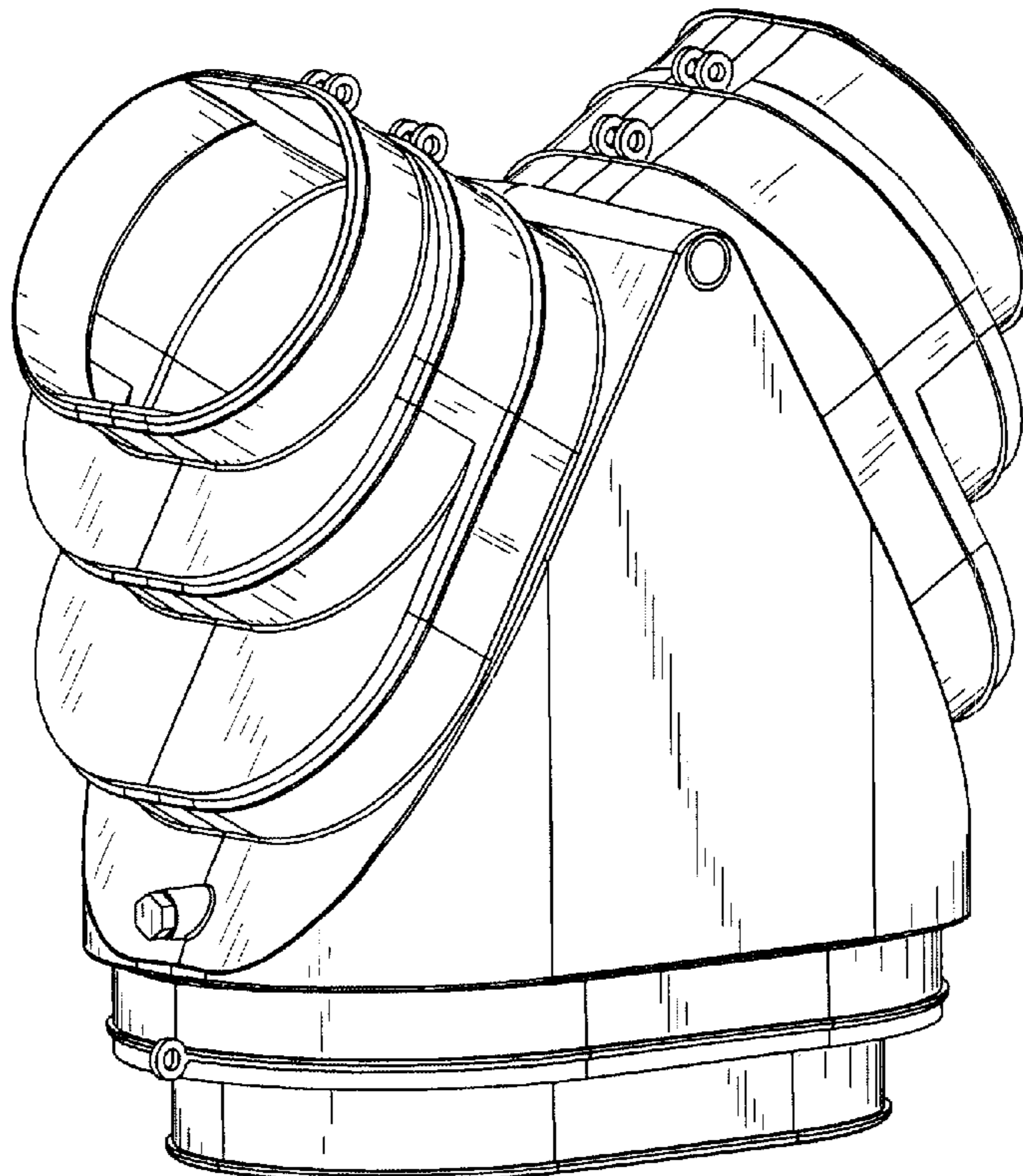
(56) **References Cited**

FIG. 1 is a top view of the modular distributor for air conditioning systems, showing its new design;
FIG. 2 is a side view thereof (each of the two sides being identical in design);
FIG. 3 is an end view thereof (each of the two ends being identical in design); and,
FIG. 4 is a perspective view showing an end and side thereof.

U.S. PATENT DOCUMENTS

1,755,464 A * 4/1930 Williams 285/131.1
1,801,091 A * 4/1931 Krauss 285/131.1
1,984,242 A * 12/1934 Trainer et al.
3,185,506 A * 5/1965 Szlashta 285/424
3,319,650 A * 5/1967 Peterson 285/131.1
3,889,987 A * 6/1975 Imral 285/424

1 Claim, 2 Drawing Sheets



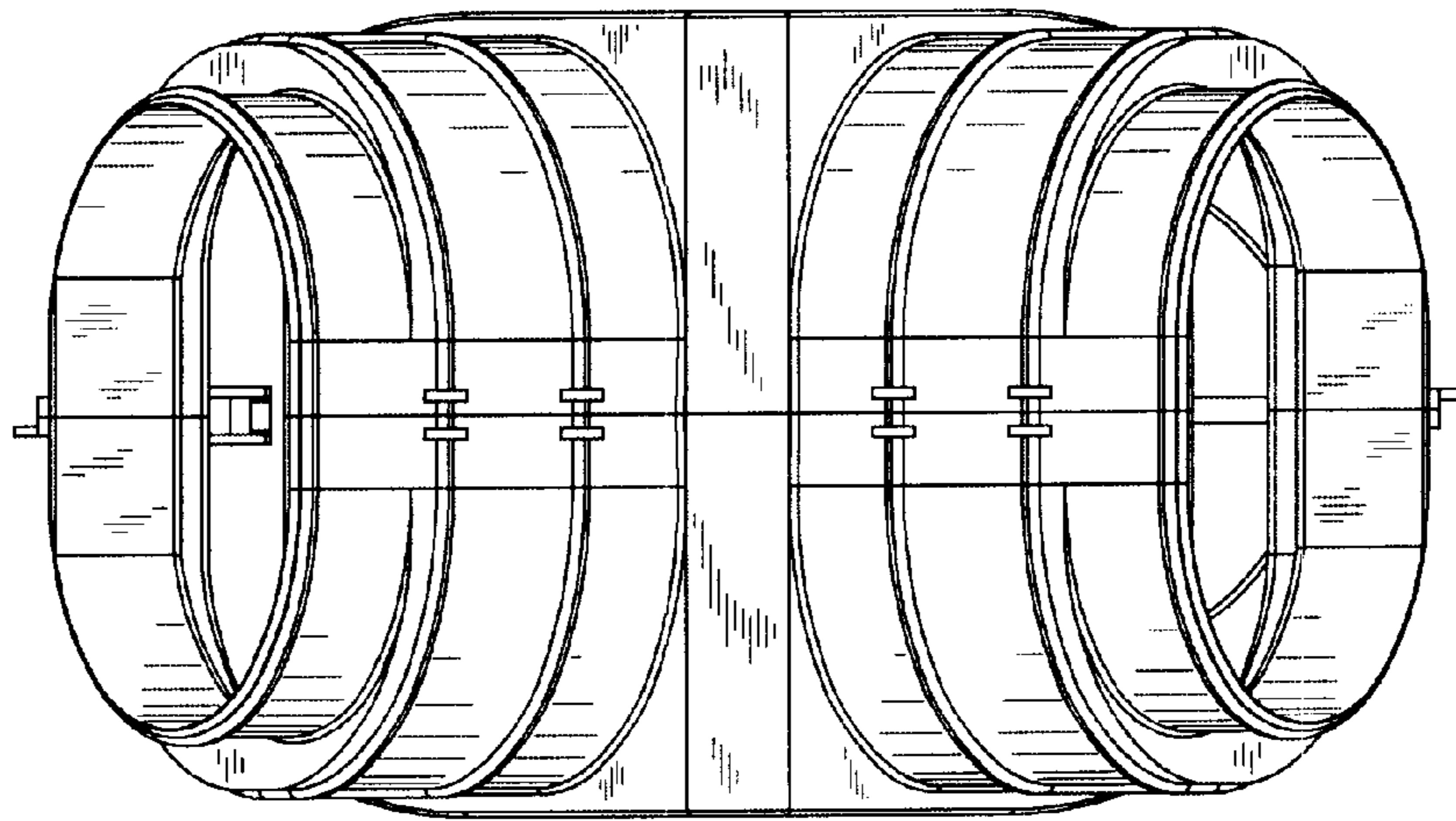


FIG. 1

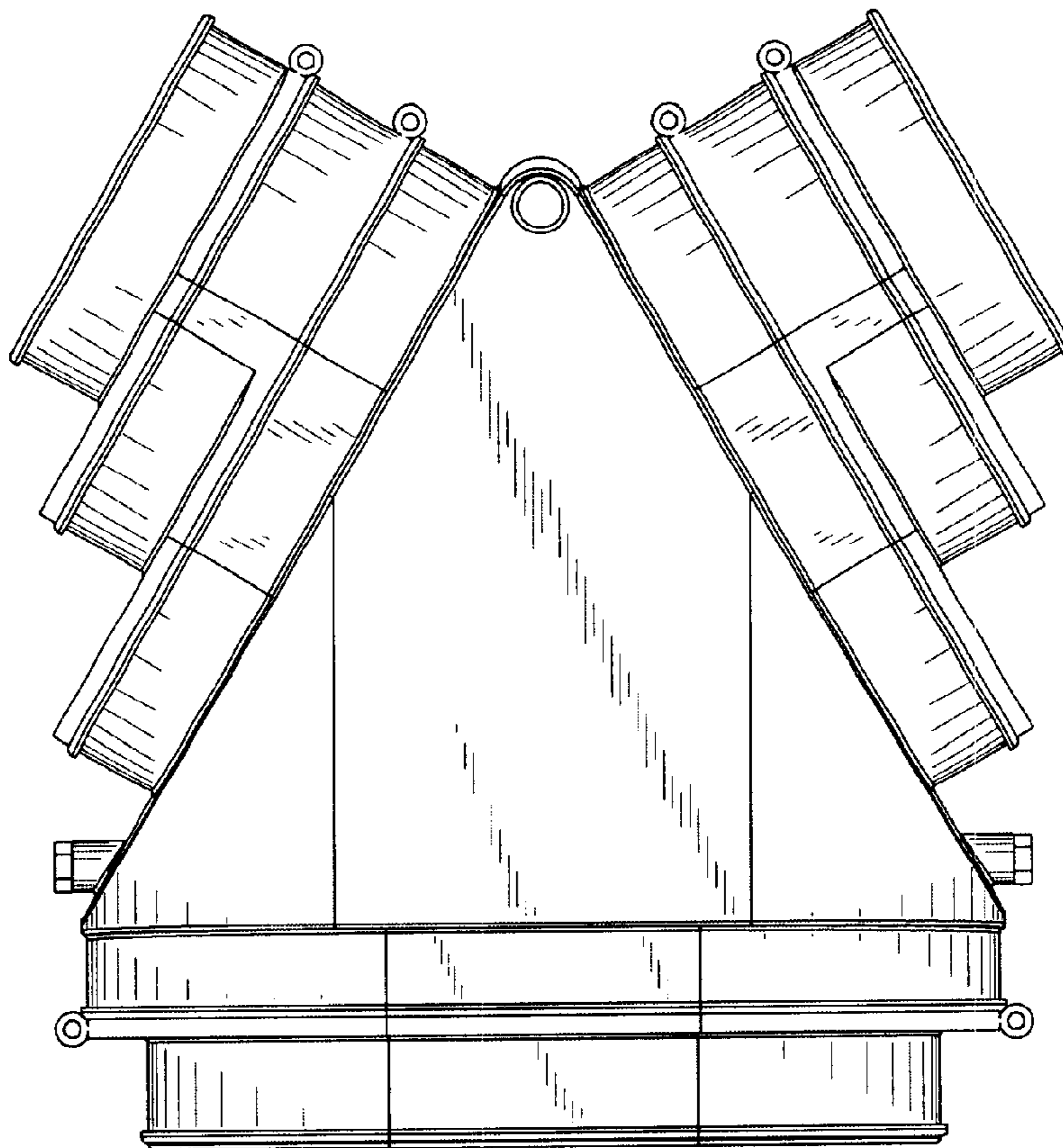


FIG. 2

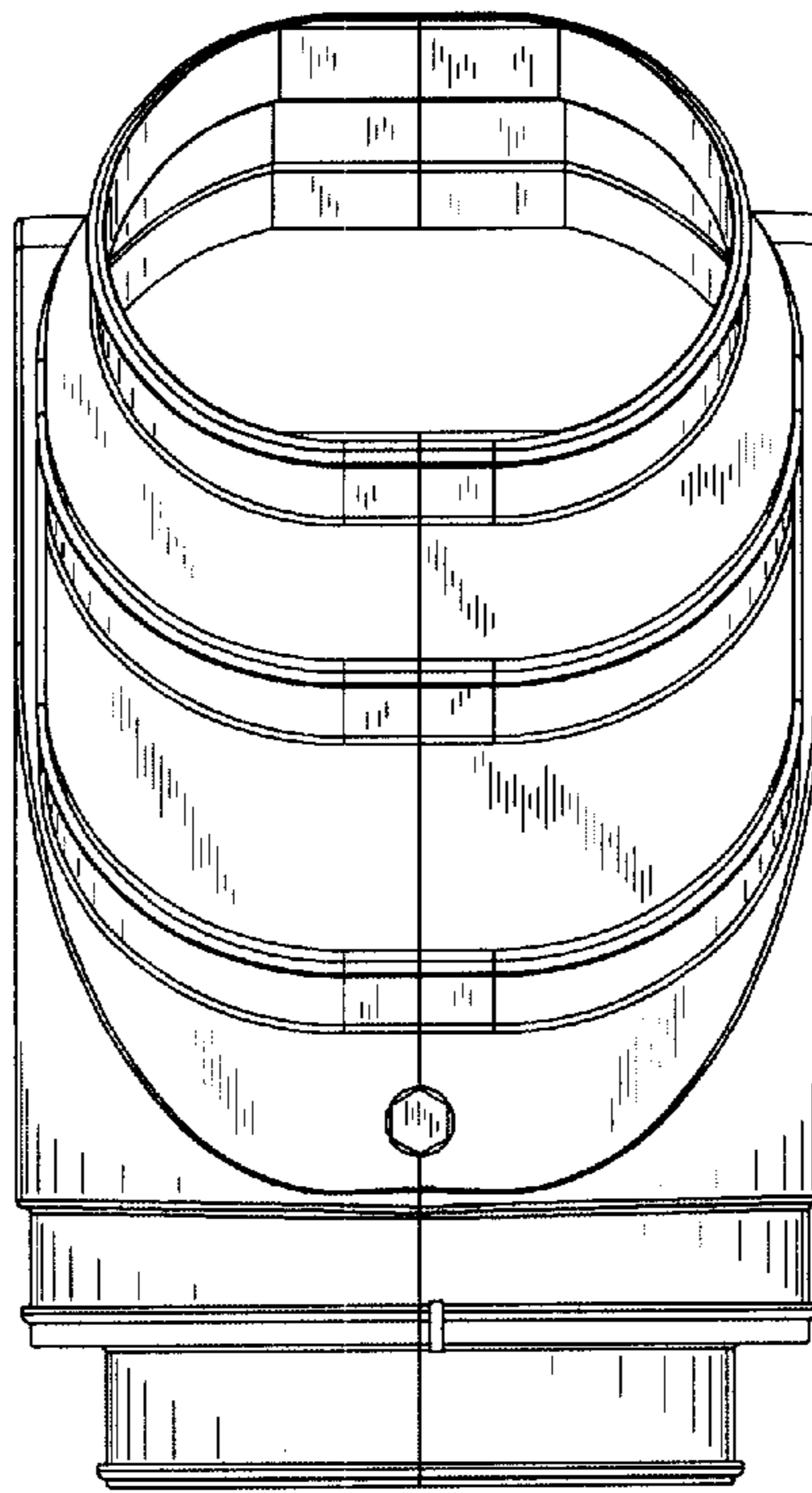


FIG. 3

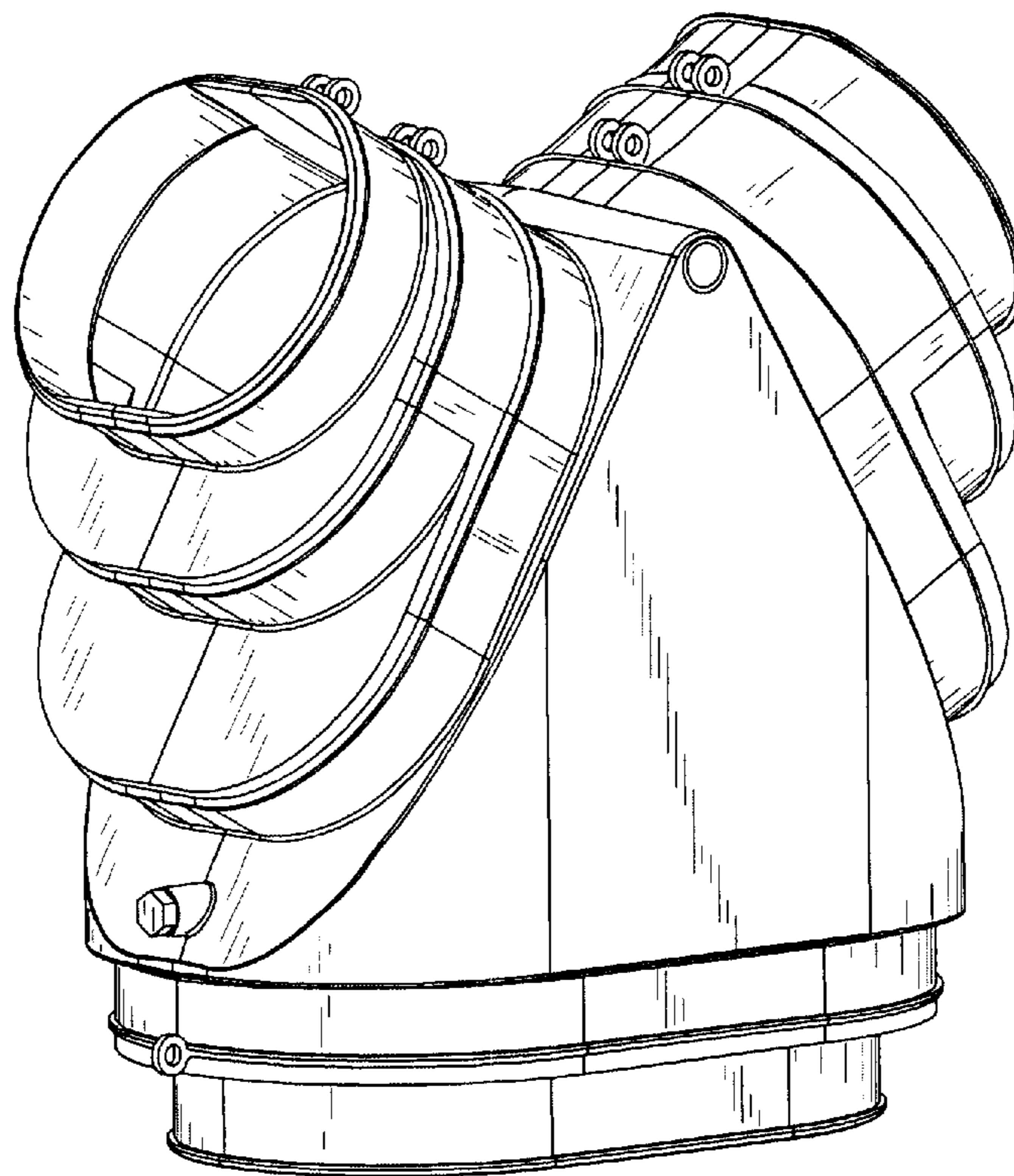


FIG. 4