



US00D465561S

(12) **United States Design Patent** (10) **Patent No.:** **US D465,561 S**
Wong et al. (45) **Date of Patent:** **** Nov. 12, 2002**

(54) **BATHING TUB**

D405,514 S * 2/1999 Donnelly D23/280.1

(75) Inventors: **Allen D. Wong**, St. Joseph, MI (US);
Gary Belford, Boca Raton, FL (US);
Steven J. Finn, Davie, FL (US);
Vincent P. Cabrera, Irvine, CA (US);
David S. Climer, Stevensville, MI
(US); **Kelley L. Akre**, Benton Harbor,
MI (US)

* cited by examiner

Primary Examiner—Doris Clark
Assistant Examiner—Robert A. Delehanty
(74) *Attorney, Agent, or Firm*—Robert O. Rice; Stephen D.
Krefman; Thomas J. Roth

(73) Assignee: **Whirlpool Corporation**, Benton
Harbor, MI (US)

(57) **CLAIM**

We are claiming the ornamental appearance of the bathing
tub, as shown and described.

(**) Term: **14 Years**

DESCRIPTION

(21) Appl. No.: **29/149,757**

FIG. 1 is a top perspective view of the design of the present
invention.

(22) Filed: **Oct. 16, 2001**

FIG. 2 is a top plan view thereof;

(51) **LOC (7) Cl.** **23-02**

FIG. 3 is a sectional view taken along line 3 of FIG. 2;

(52) **U.S. Cl.** **D23/277**

FIG. 4 is a sectional view taken along line 4 of FIG. 2;

(58) **Field of Search** D23/270, 273,

FIG. 5 is a sectional view taken along line 5 of FIG. 2;

D23/275–278, 280.1, 280.2, 303–304; 4/538,

FIG. 6 is a sectional view taken along line 6 of FIG. 2; and,

541.1–541.5, 546, 559, 571.1–573.1, 576.1–578.1,

FIG. 7 is a sectional view taking along line 7 of FIG. 2.

586, 589, 663; D24/201, 204–205

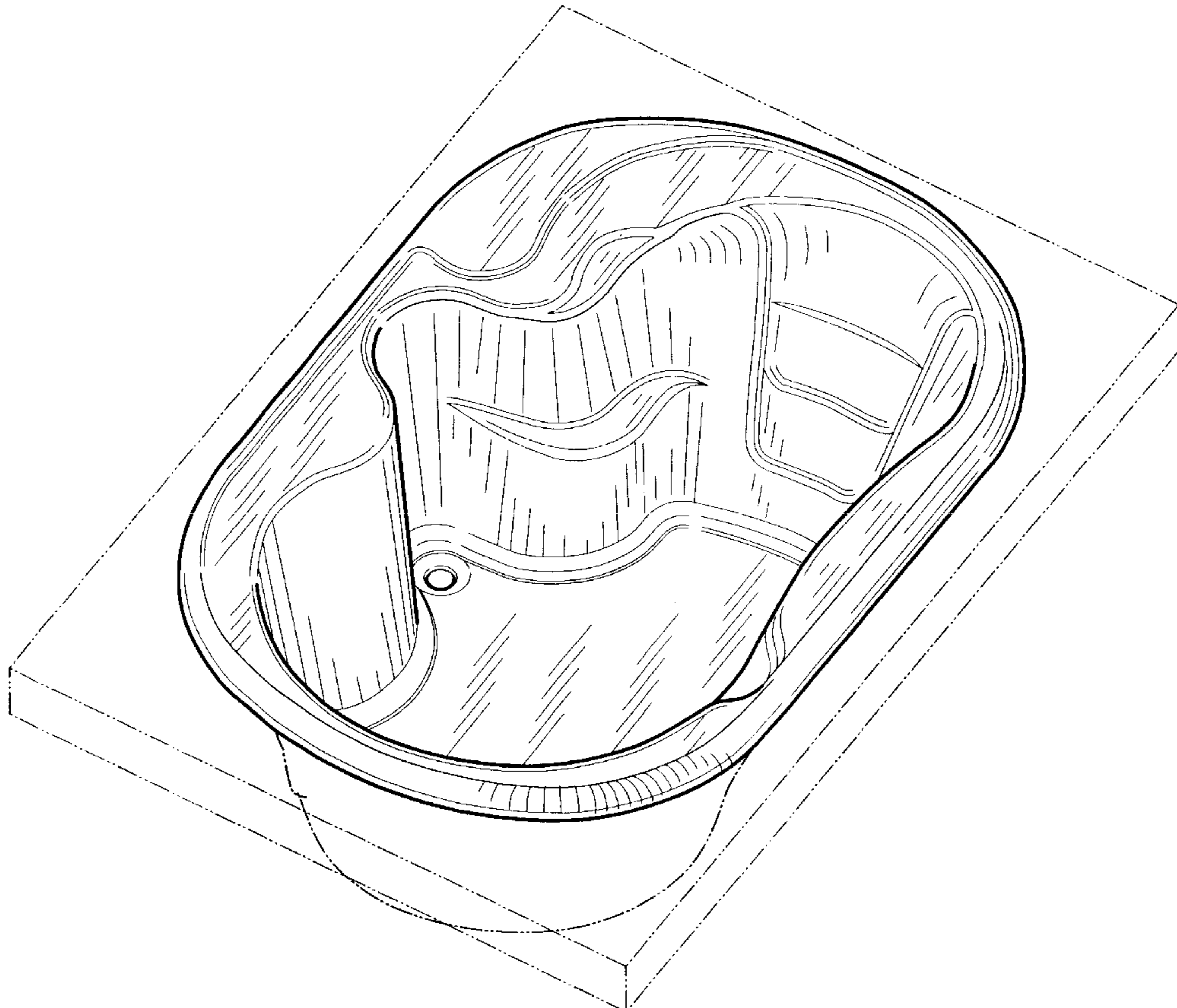
Those portions of the bathing tub not shown in the drawing,
specifically the surfaces of the bottom and outside portions
of the side walls are not part of the claimed design. The
broken line showing of environmental structure is for illus-
trative purposes only forms no part of the claimed design.

(56) **References Cited**

U.S. PATENT DOCUMENTS

D400,654 S * 11/1998 Jacuzzi D23/277

1 Claim, 5 Drawing Sheets



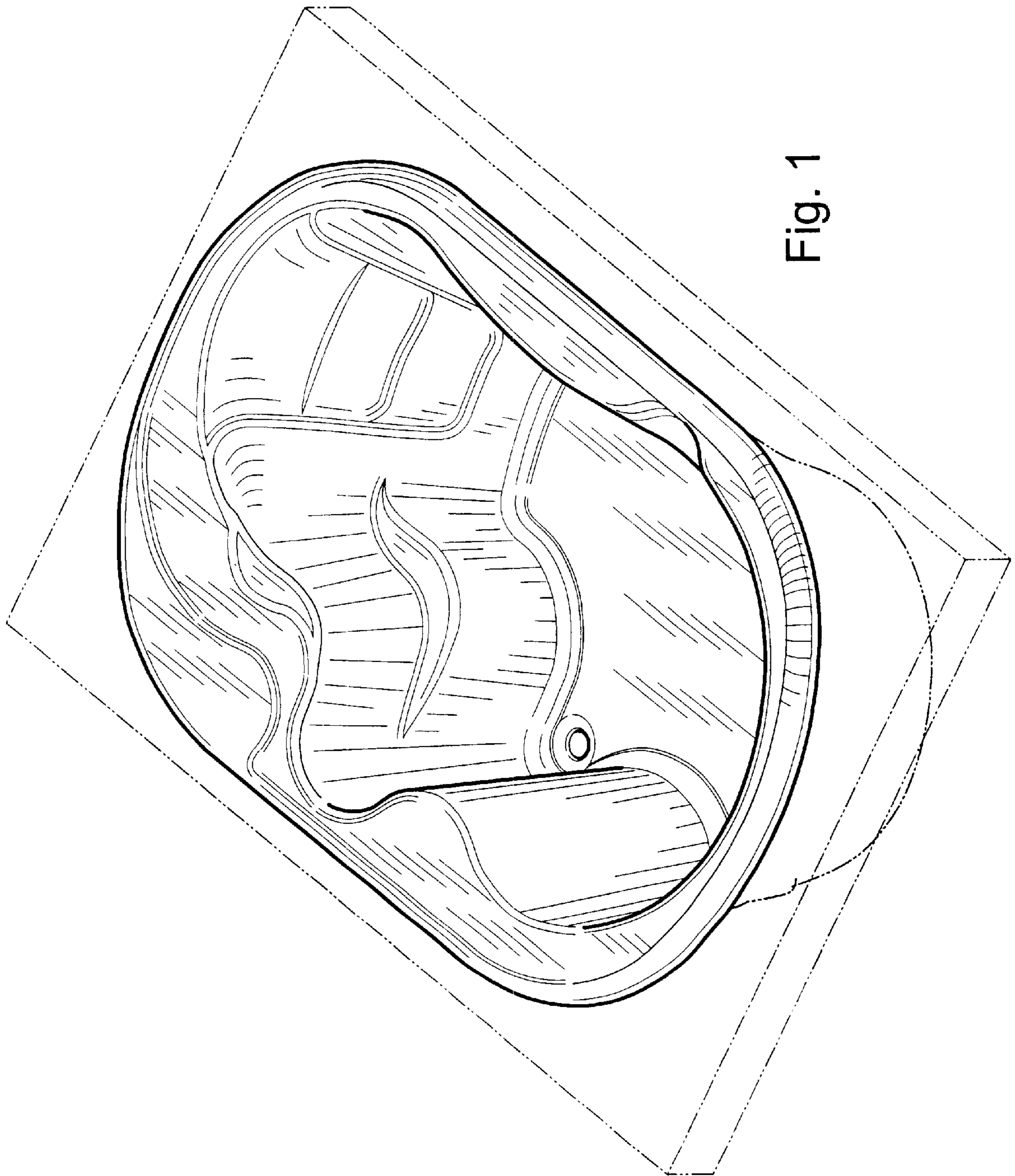


Fig. 1

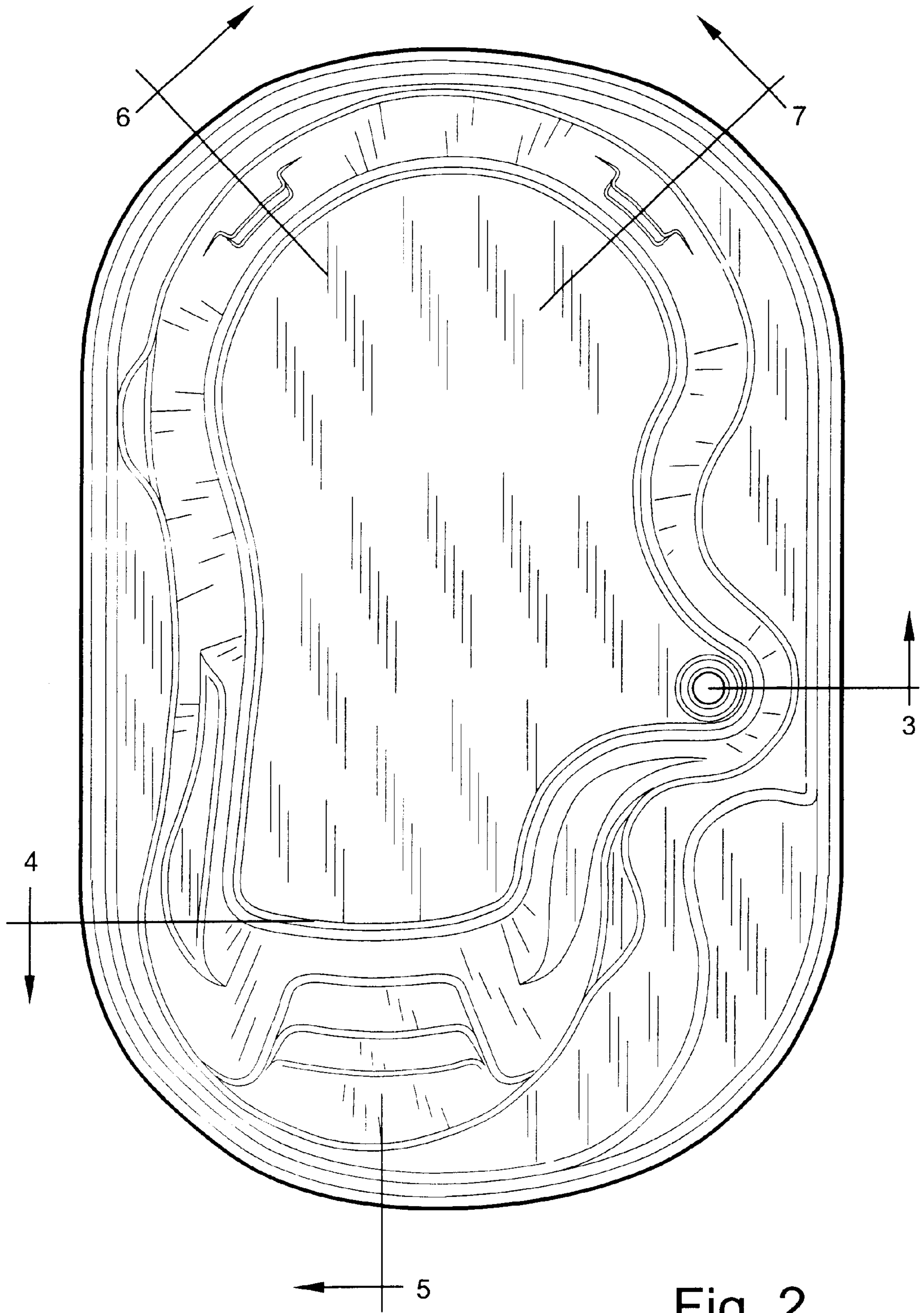


Fig. 2

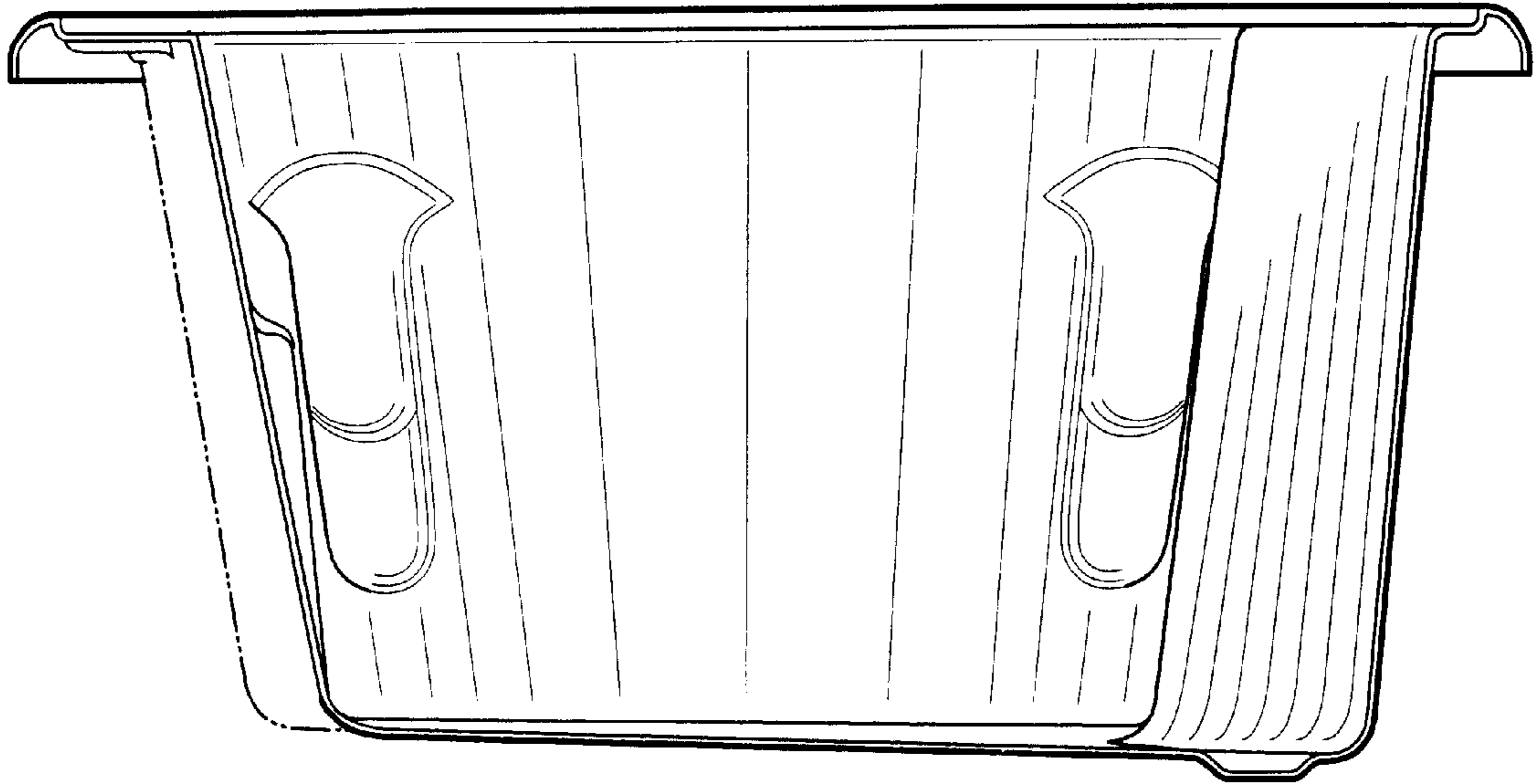


Fig. 3

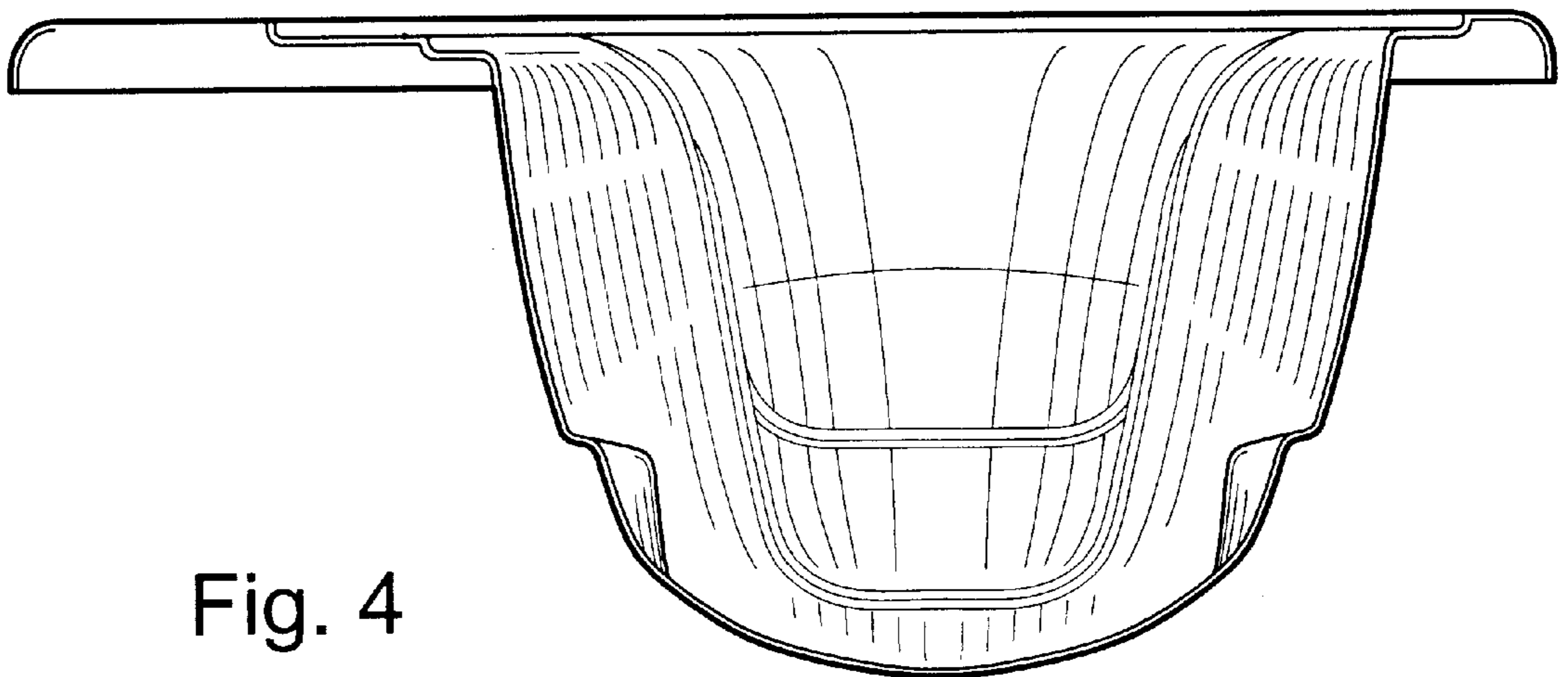


Fig. 4

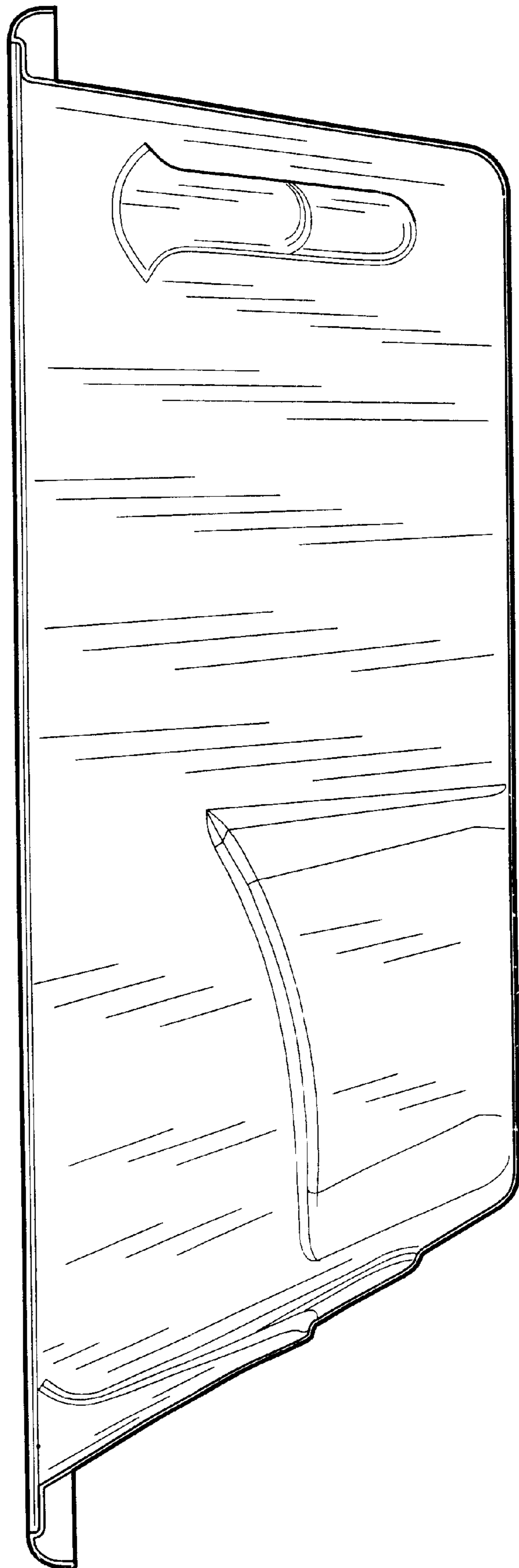


Fig. 5

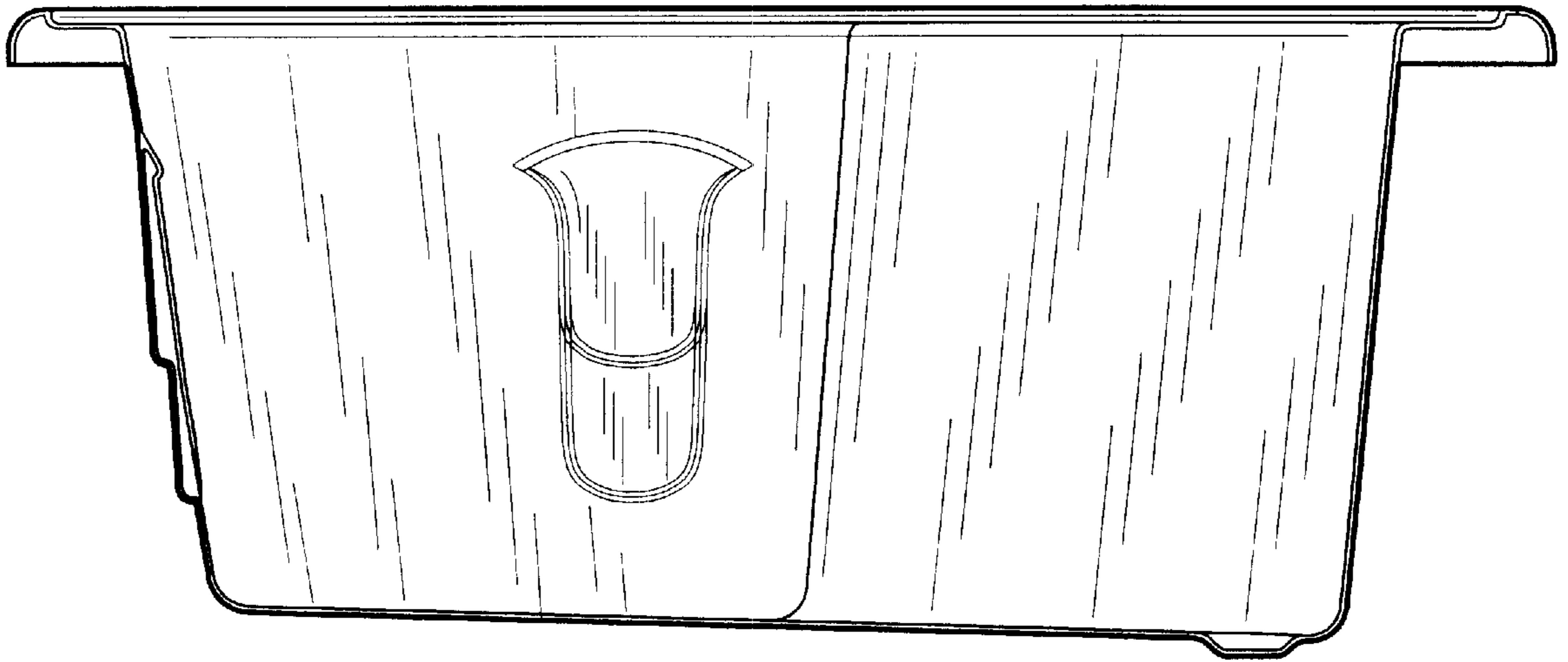


Fig. 6

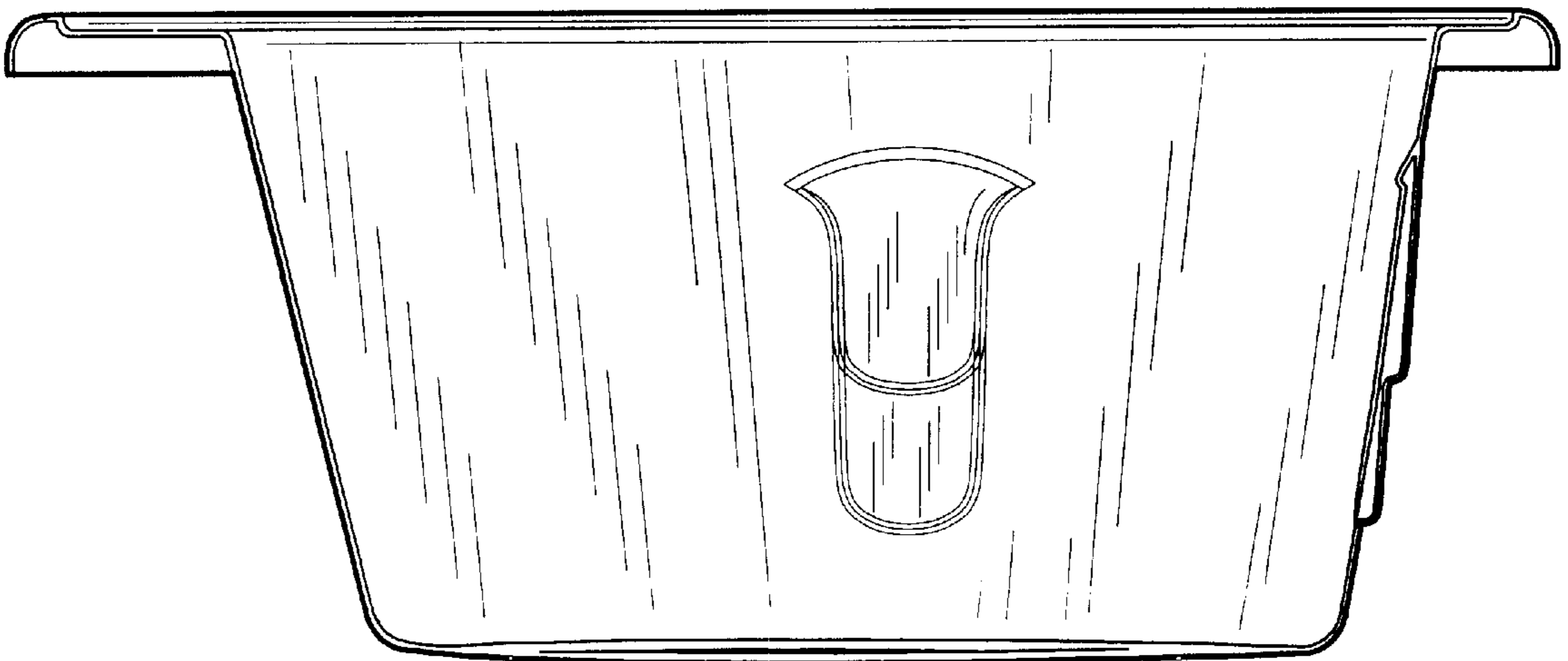


Fig. 7