



US00D46558S

(12) **United States Design Patent**  
**Ouyoung**

(10) **Patent No.:** **US D465,558 S**

(45) **Date of Patent:** **\*\* Nov. 12, 2002**

(54) **FAUCET SET**

(75) **Inventor:** **Scott Ouyoung**, Taichung Export Processing Zone (TW)

(73) **Assignee:** **Globe Union Industrial Corp.** (TW)

(\*\*) **Term:** **14 Years**

(21) **Appl. No.:** **29/148,548**

(22) **Filed:** **Sep. 24, 2001**

(51) **LOC (7) Cl.** ..... **23-01**

(52) **U.S. Cl.** ..... **D23/242; D23/241**

(58) **Field of Search** ..... **D23/238-243, D23/250-257; D8/300-310; 4/675-678; 137/801**

(56) **References Cited**

**U.S. PATENT DOCUMENTS**

D364,216 S	*	11/1995	Hill et al.	.....	D23/252
D430,650 S	*	9/2000	Graves	.....	D23/242
D440,635 S	*	4/2001	Fleischmann	.....	D23/242
D444,213 S	*	6/2001	Lord	.....	D23/252

\* cited by examiner

*Primary Examiner*—Louis S. Zarfes

*Assistant Examiner*—Gregory Andoll

(74) *Attorney, Agent, or Firm*—Troxell Law Office PLLC

(57) **CLAIM**

The ornamental design for a faucet set, as shown and described.

**DESCRIPTION**

FIG. 1 is a perspective view of a faucet set showing us new design;

FIG. 2 is a front side elevation view thereof;

FIG. 3 is a left side elevation view thereof;

FIG. 4 is a right side elevation view thereof;

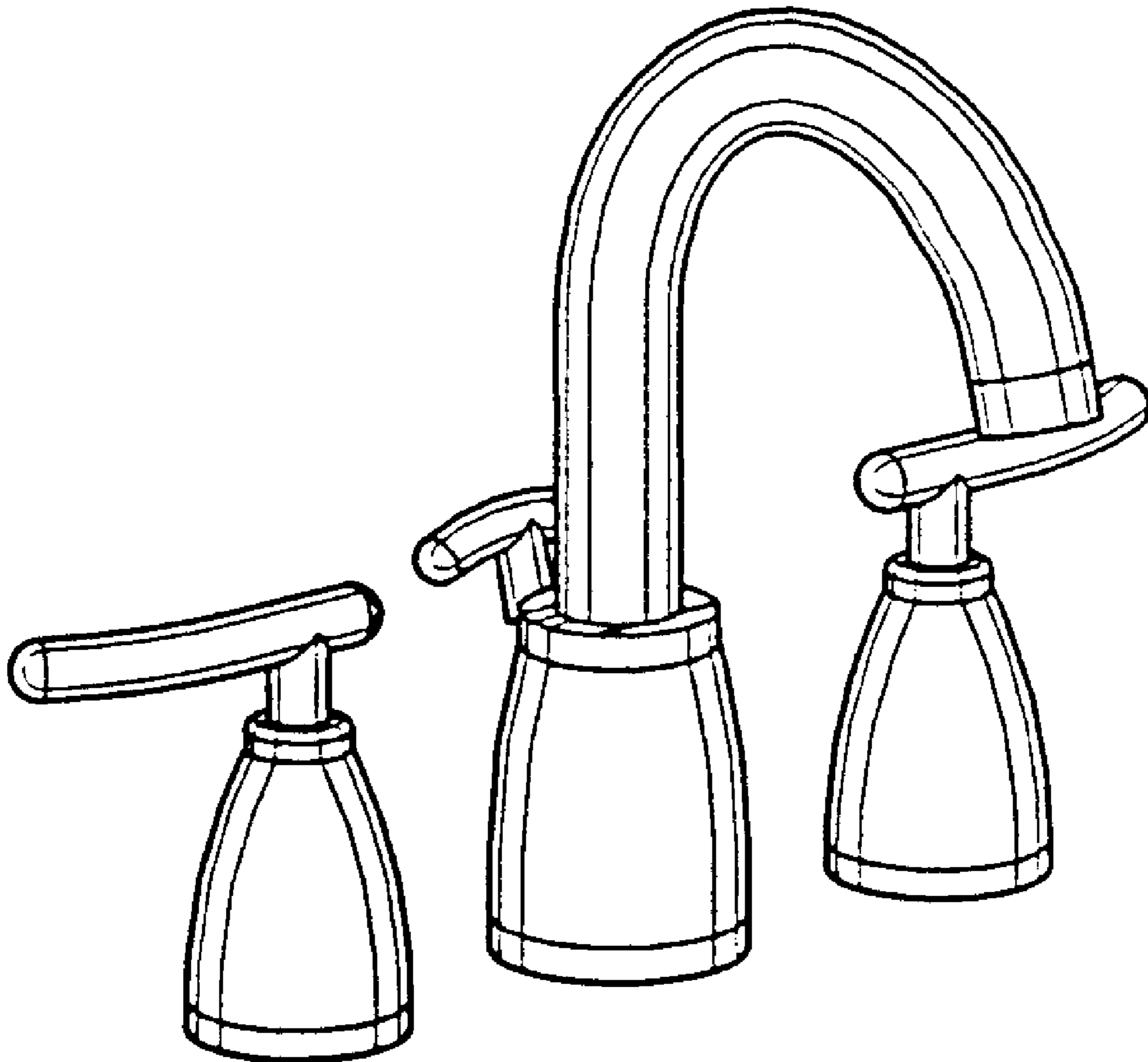
FIG. 5 is a rear side elevation view thereof;

FIG. 6 is a top plan view thereof;

FIG. 7 is a bottom plan view thereof; and,

FIG. 8 is a another perspective view of the faucet set, with the broken line showing of a sink being provided for illustrative purposes only and forming no part of the claimed design.

**1 Claim, 4 Drawing Sheets**



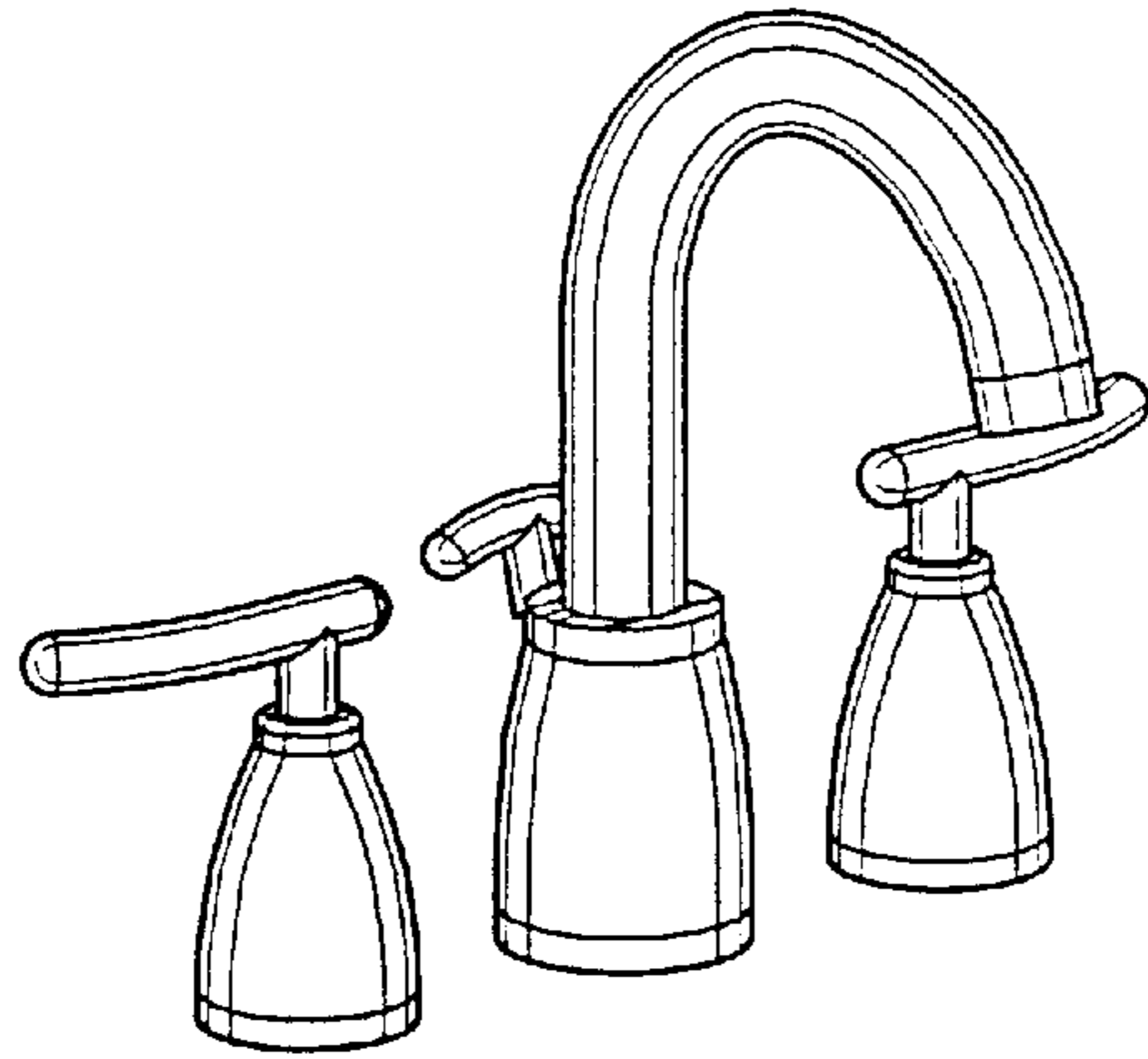


FIG. 1

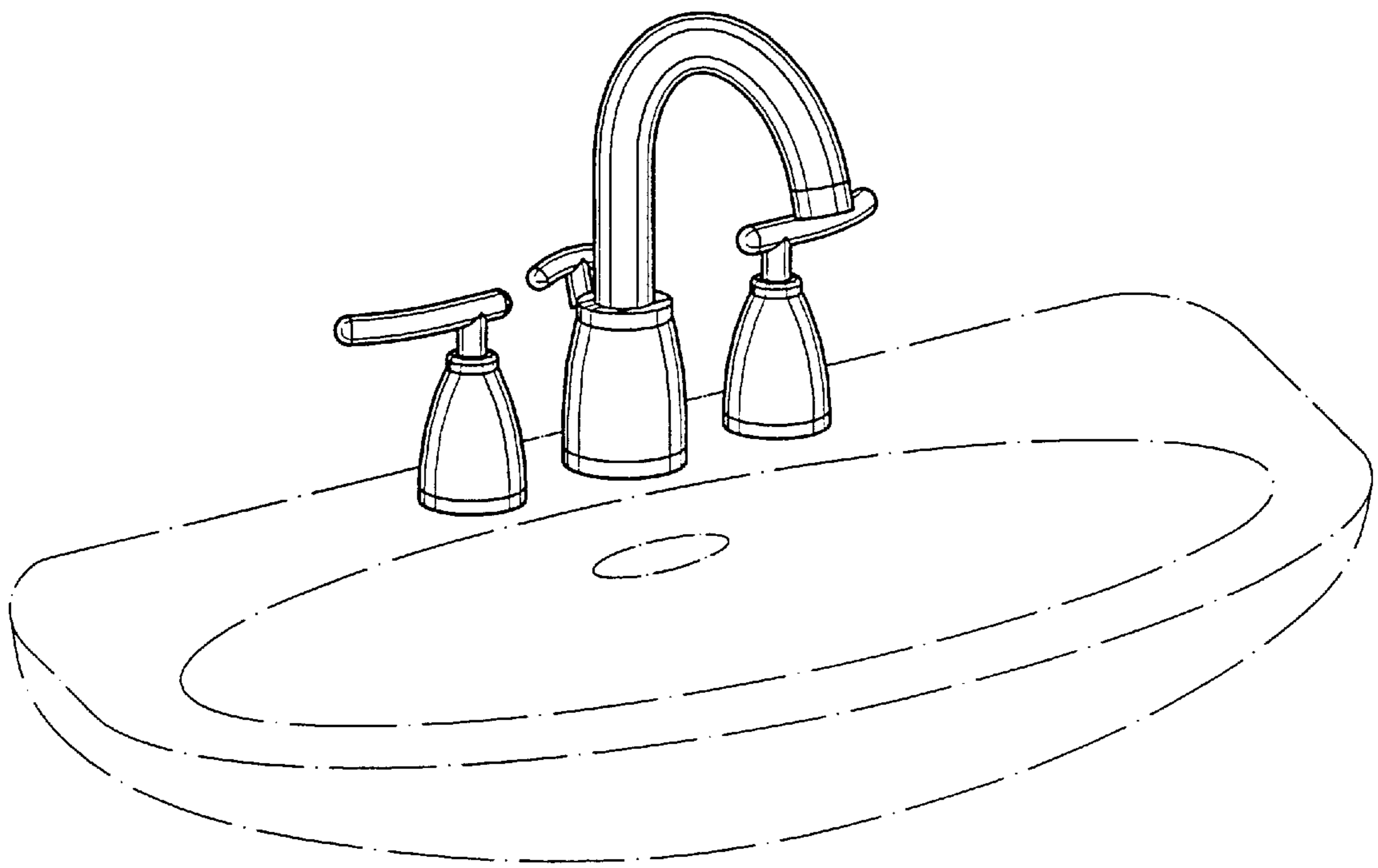


FIG. 8

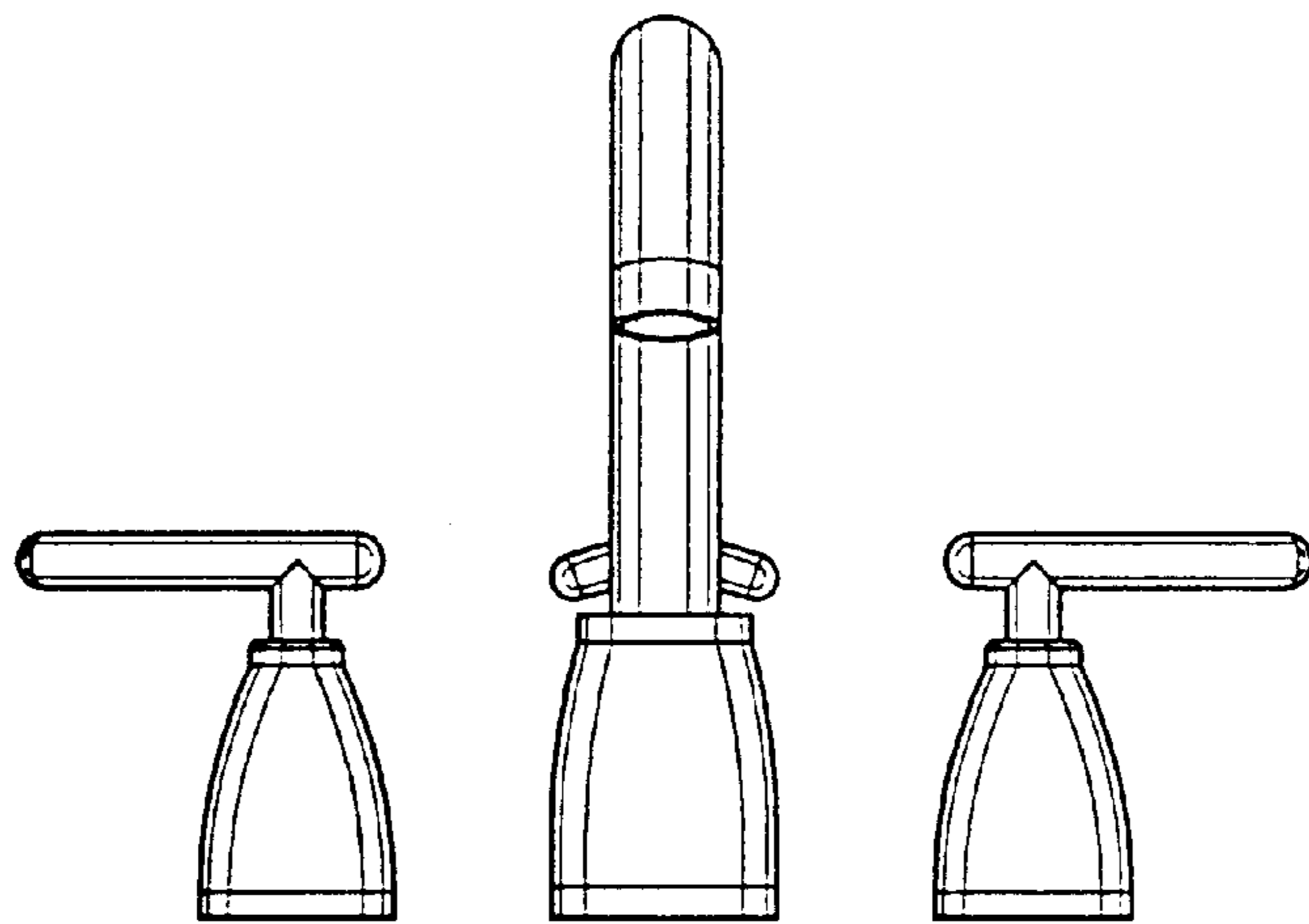


FIG. 2

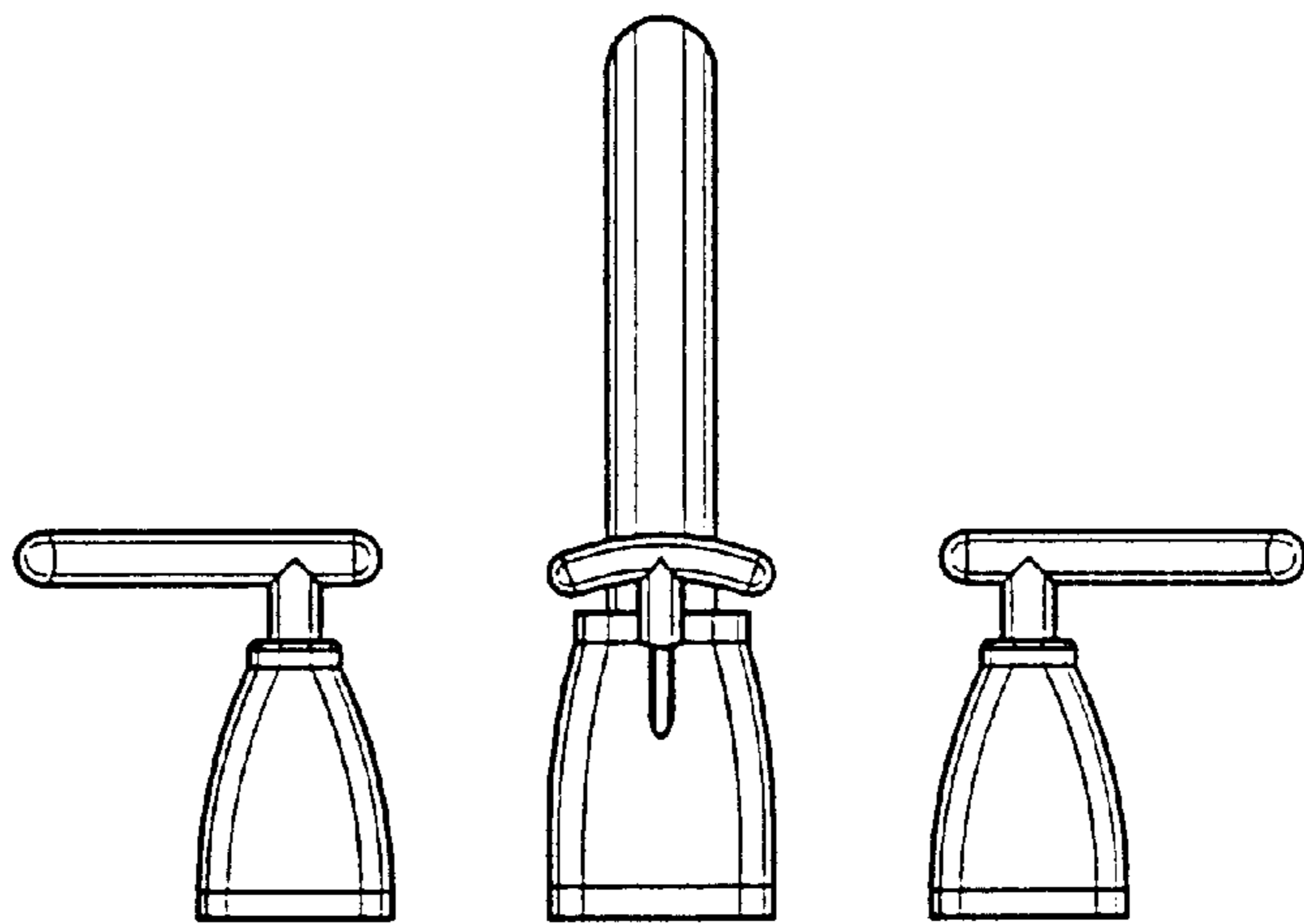


FIG. 5

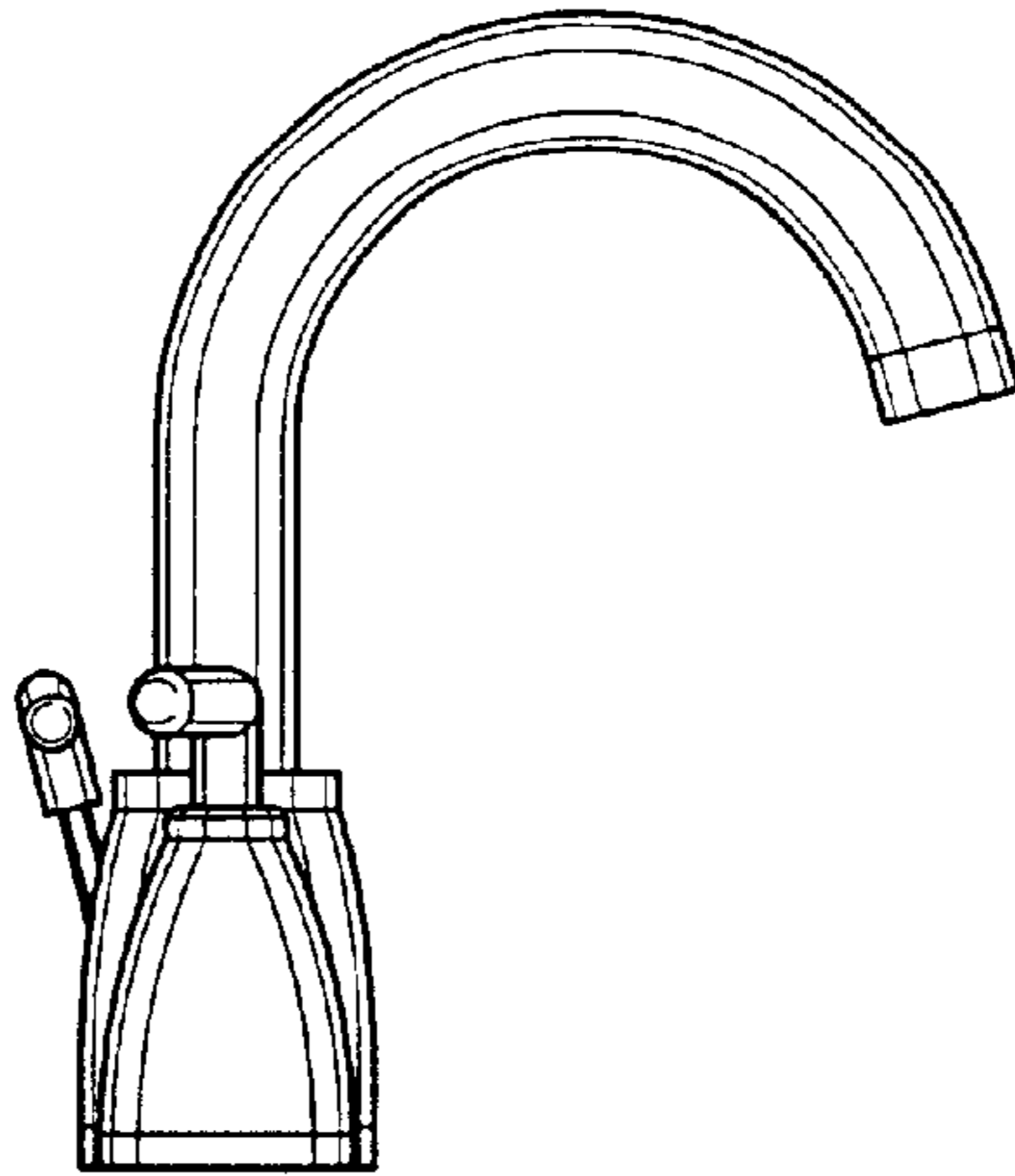


FIG. 3

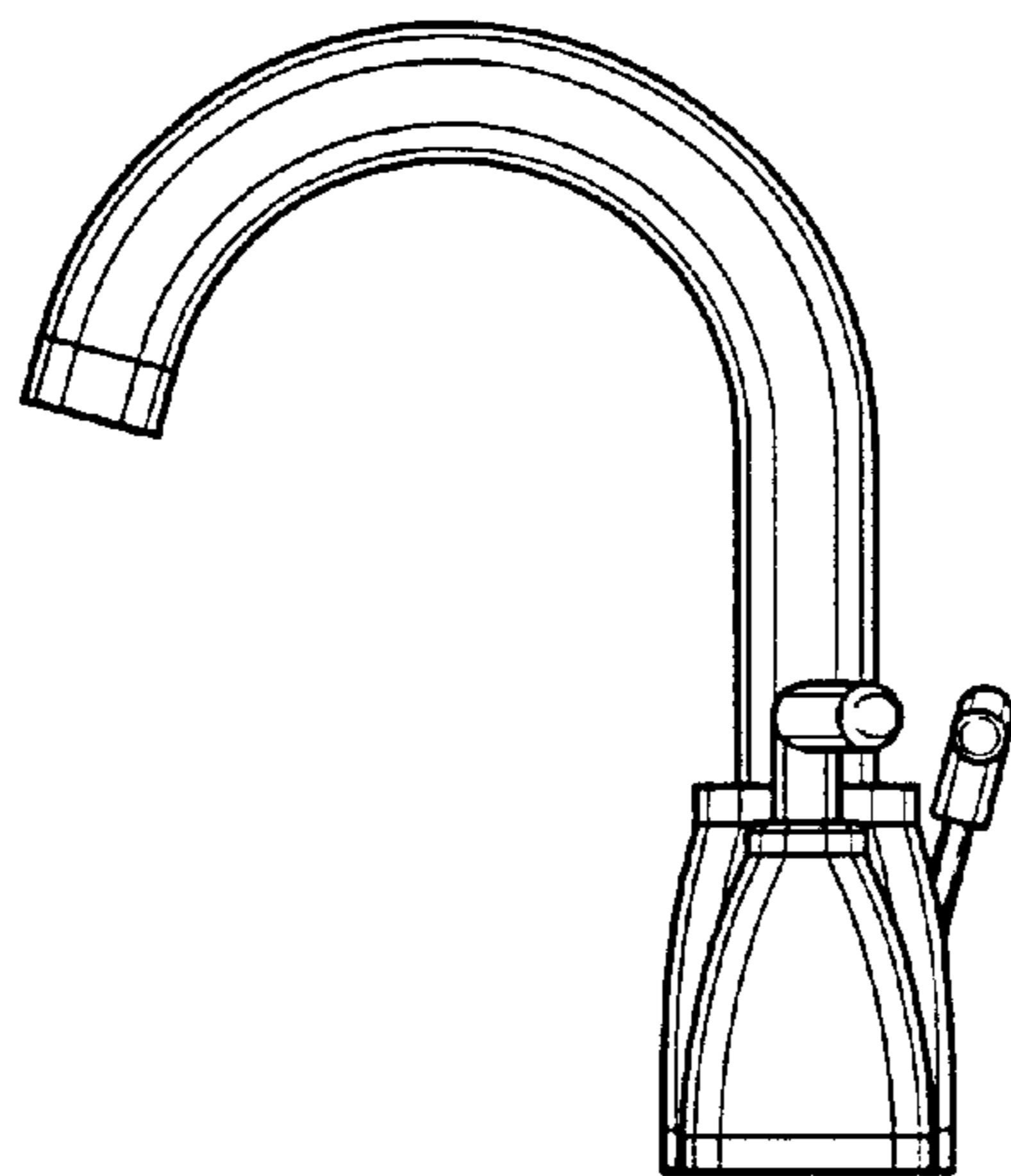


FIG. 4

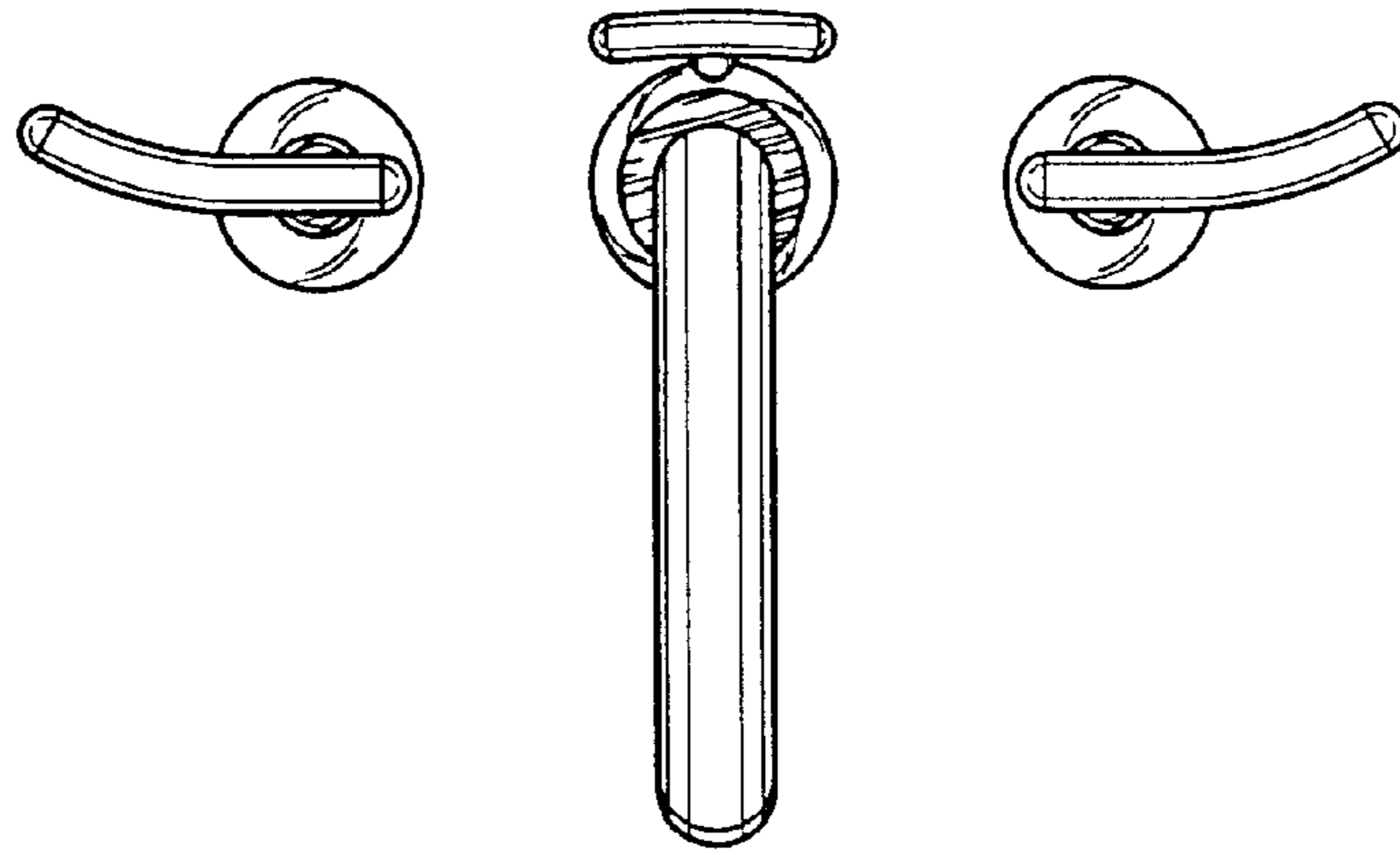


FIG. 6

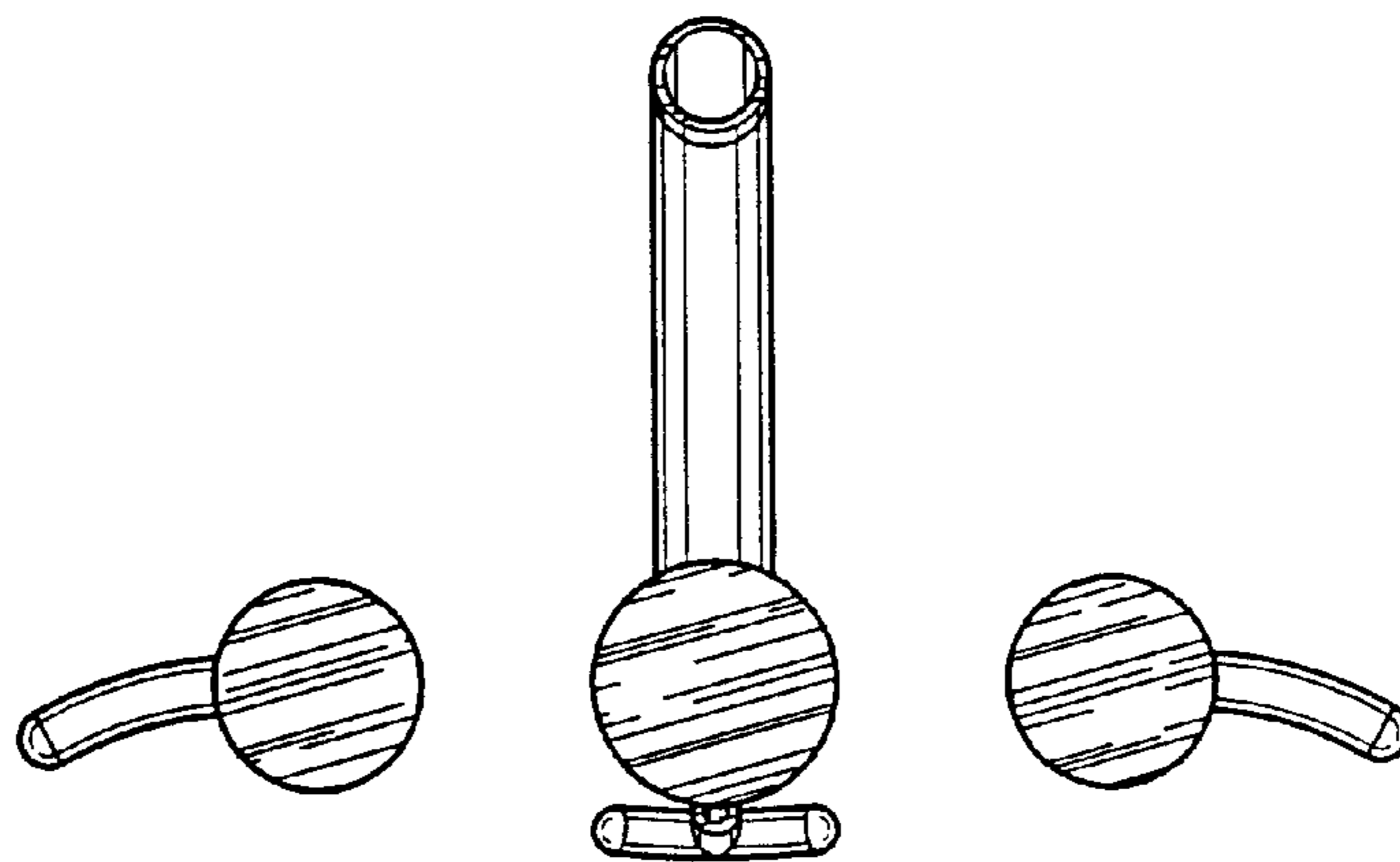


FIG. 7