



US00D46557S

(12) **United States Design Patent**  
**Antoniello et al.**

(10) **Patent No.:** **US D465,557 S**

(45) **Date of Patent:** **\*\* Nov. 12, 2002**

(54) **LAVATORY FAUCET AND HANDLE SET**

D311,438 S \* 10/1990 Strignano ..... D23/242  
D364,216 S \* 11/1995 Hill et al. .... D23/252

(76) Inventors: **Frank Antoniello**, 35 Melville Park Rd., Melville, NY (US) 11747; **Glenn Davis**, 35 Melville Park Rd., Melville, NY (US) 11747

\* cited by examiner

*Primary Examiner*—Louis S. Zarfes  
*Assistant Examiner*—Gregory Andoll  
(74) *Attorney, Agent, or Firm*—Alfred M. Walker

(\*\*) Term: **14 Years**

(57) **CLAIM**

(21) Appl. No.: **29/146,509**

The ornamental design for a lavatory faucet and handle set, as shown and described.

(22) Filed: **Aug. 10, 2001**

(51) **LOC (7) Cl.** ..... **23-01**

**DESCRIPTION**

(52) **U.S. Cl.** ..... **D23/242; D23/241**

FIG. 1 is a perspective view of a lavatory faucet and handle set, showing our new design;  
FIG. 2 is a front elevational view thereof;  
FIG. 3 is a rear elevational view thereof;  
FIG. 4 is a left side elevational view thereof, the right side being a mirror image of itself;  
FIG. 5 is a top plan view thereof; and,  
FIG. 6 is a bottom view thereof.

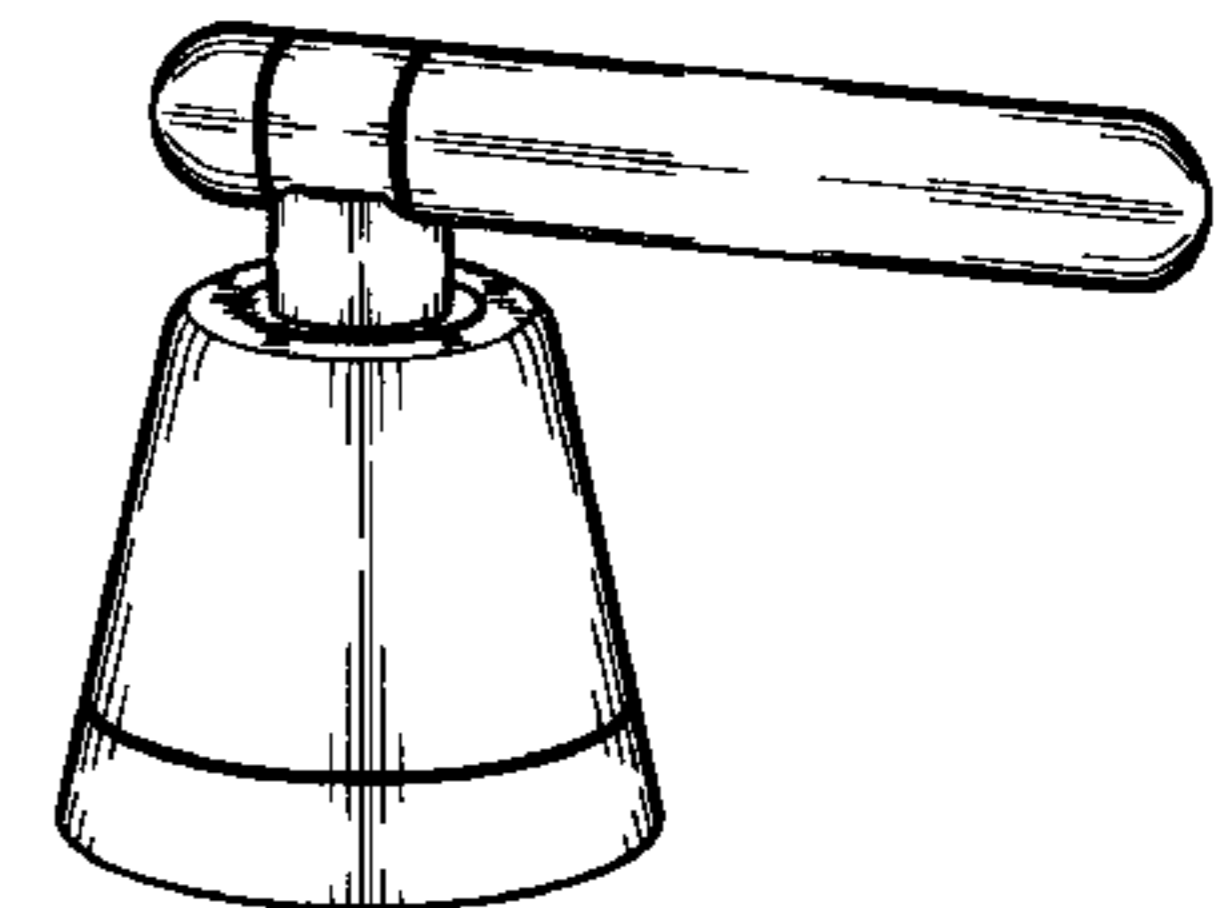
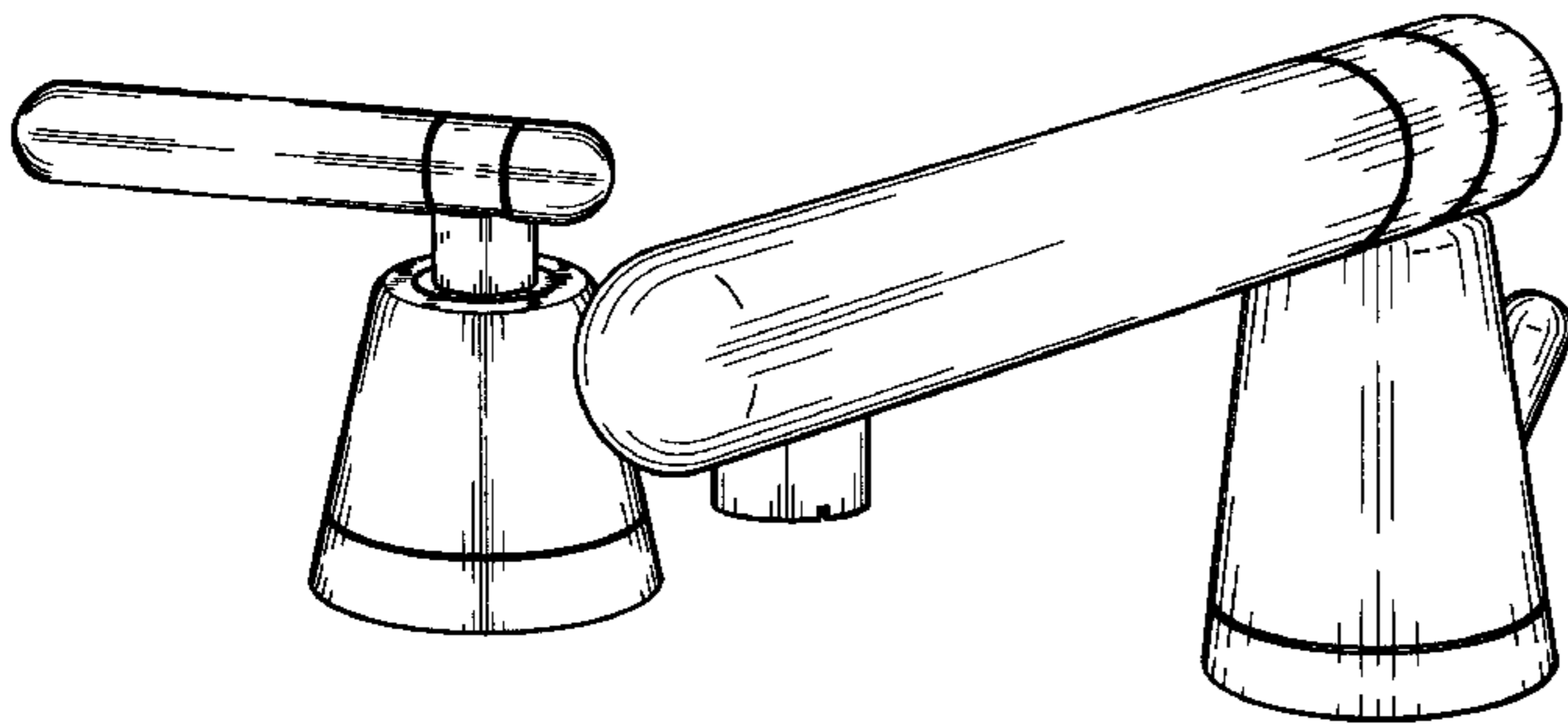
(58) **Field of Search** ..... D23/238–243,  
D23/250–257; D8/300–310; 4/675–678;  
137/801

(56) **References Cited**

**U.S. PATENT DOCUMENTS**

D280,543 S \* 9/1985 Paul ..... D23/242  
D291,116 S \* 7/1987 Haug et al. .... D23/255

**1 Claim, 6 Drawing Sheets**



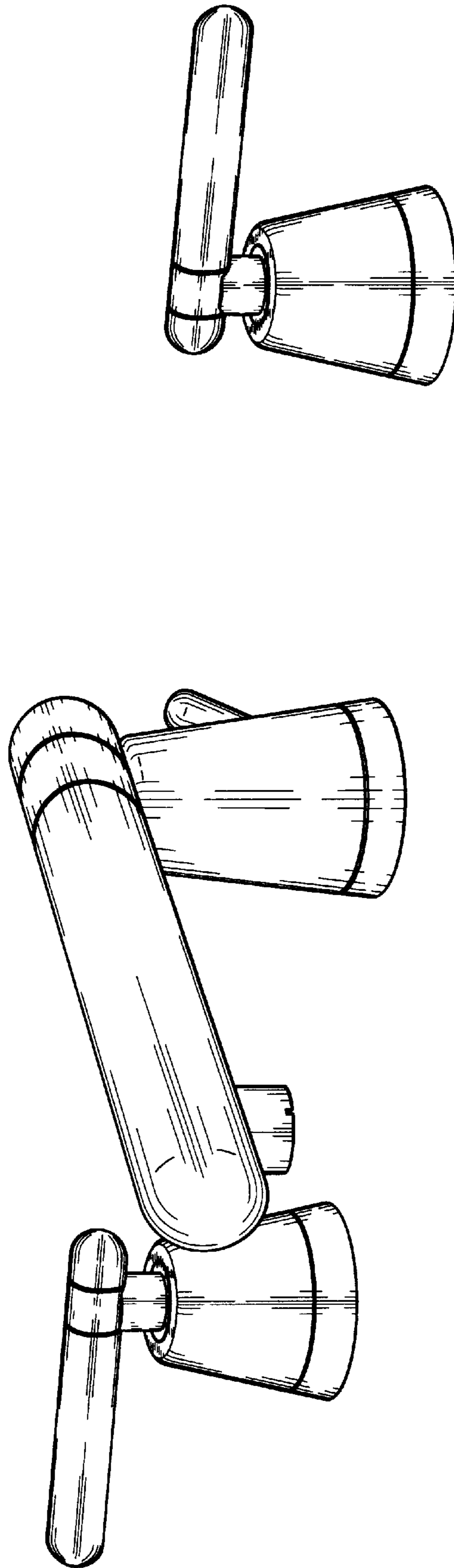


FIG. 1

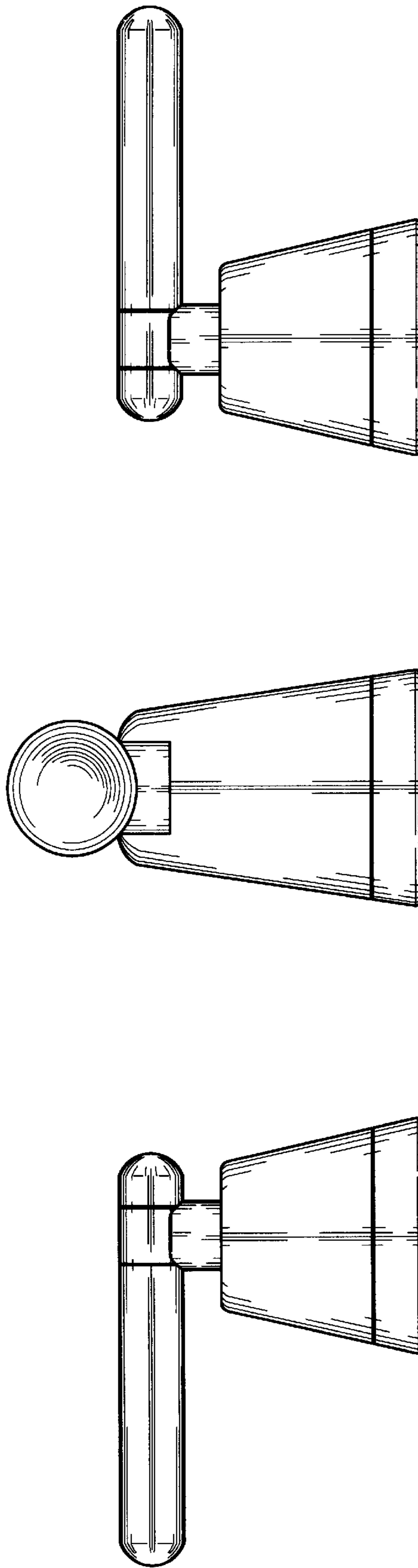


FIG. 2

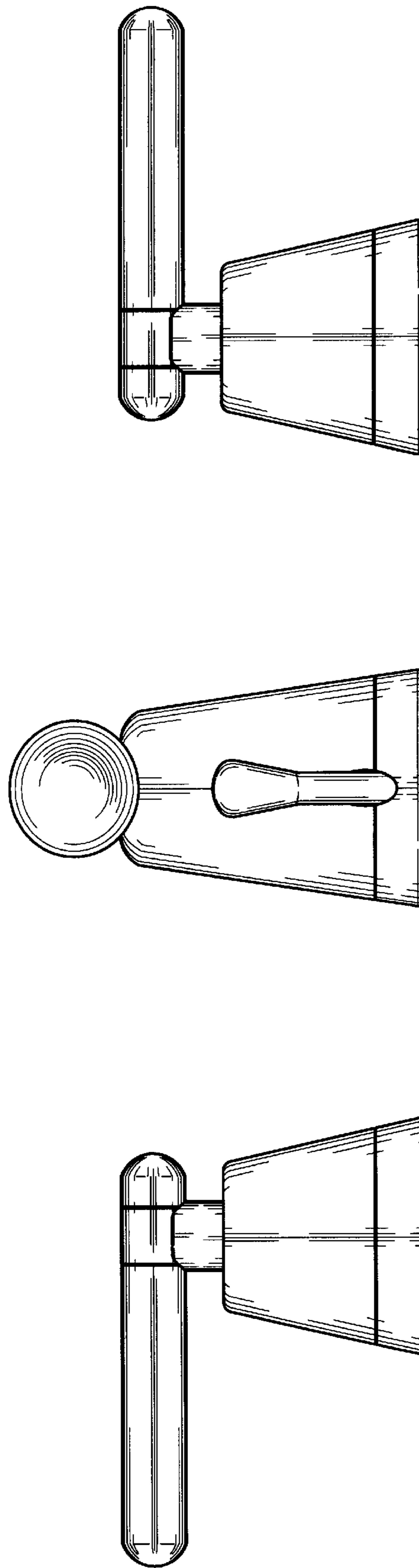


FIG. 3

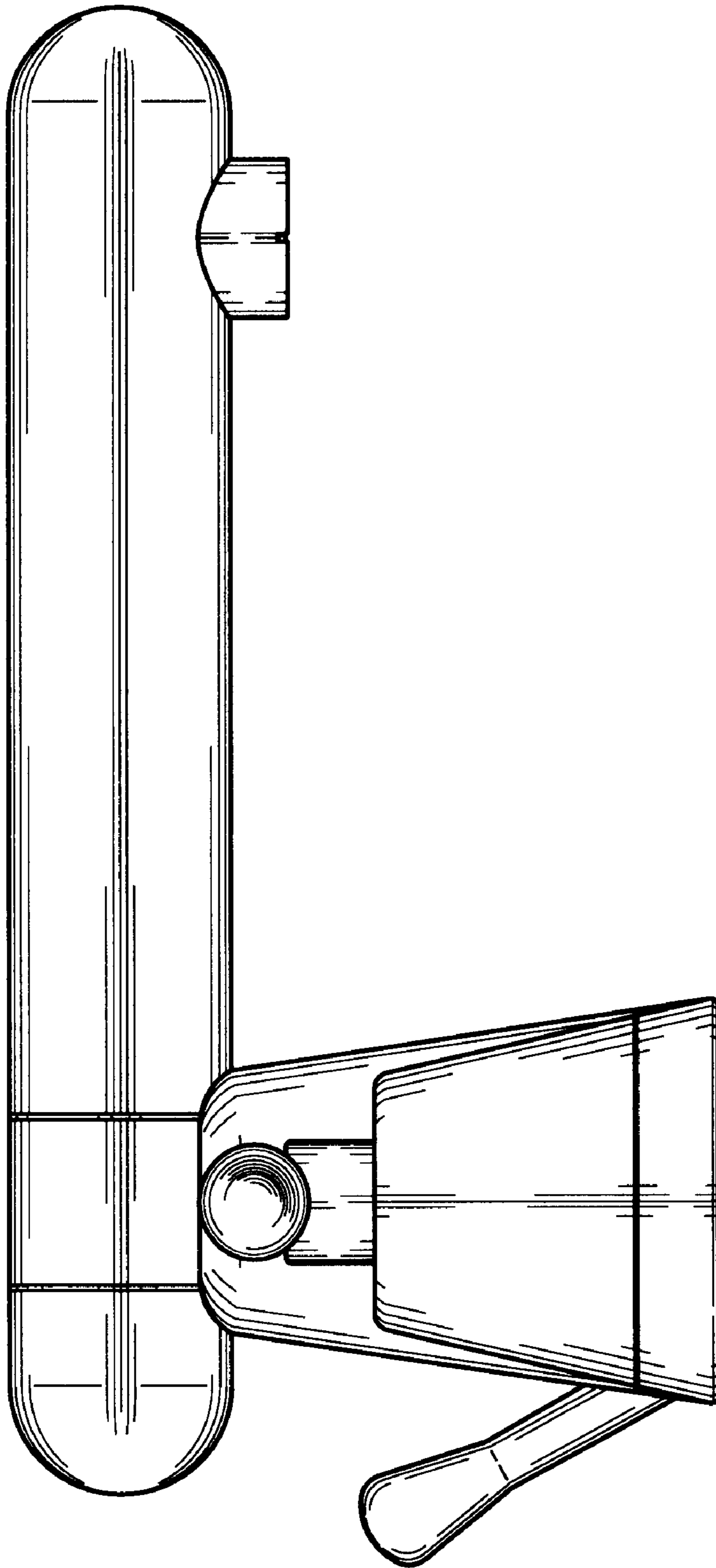


FIG. 4

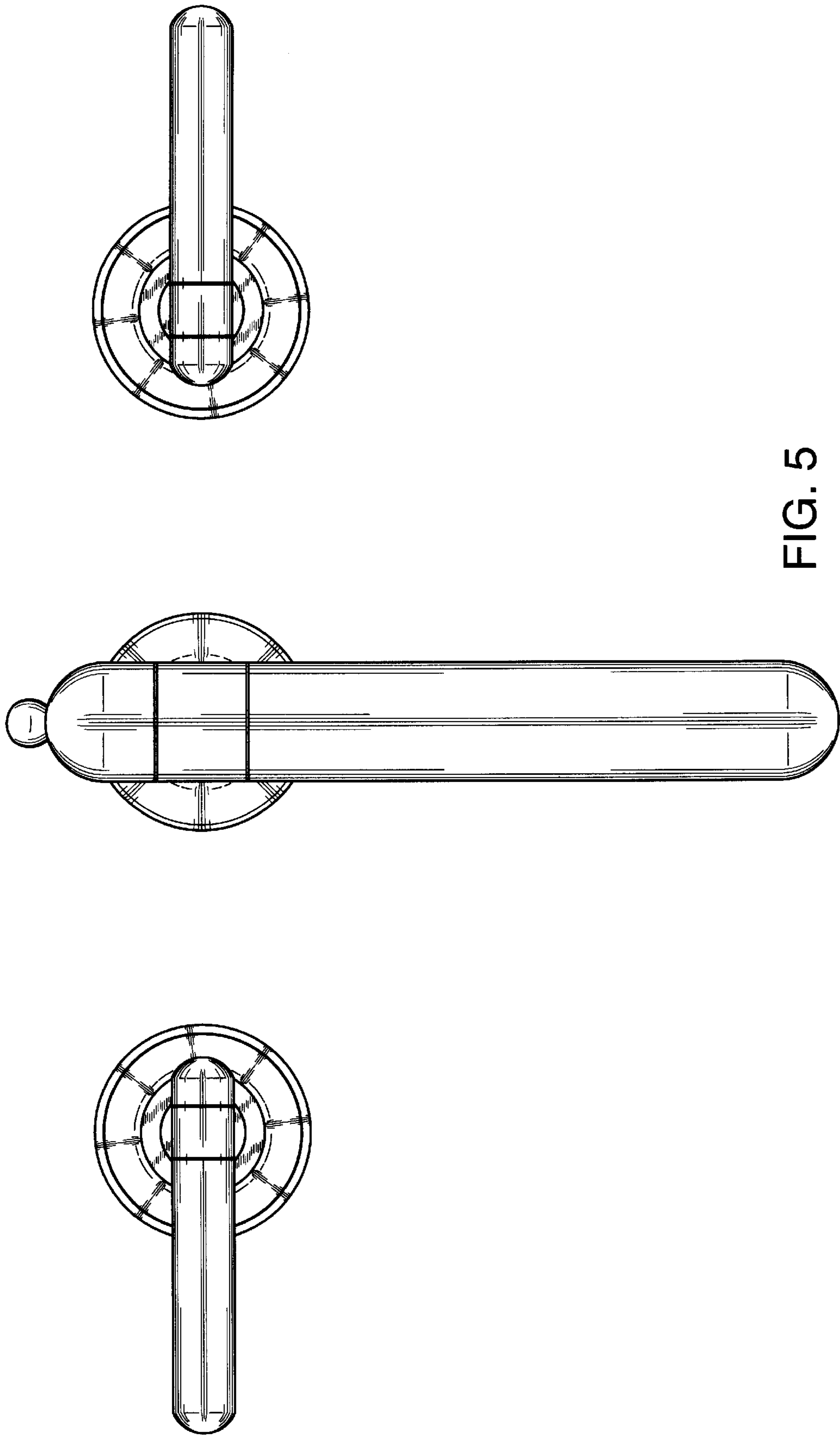


FIG. 5

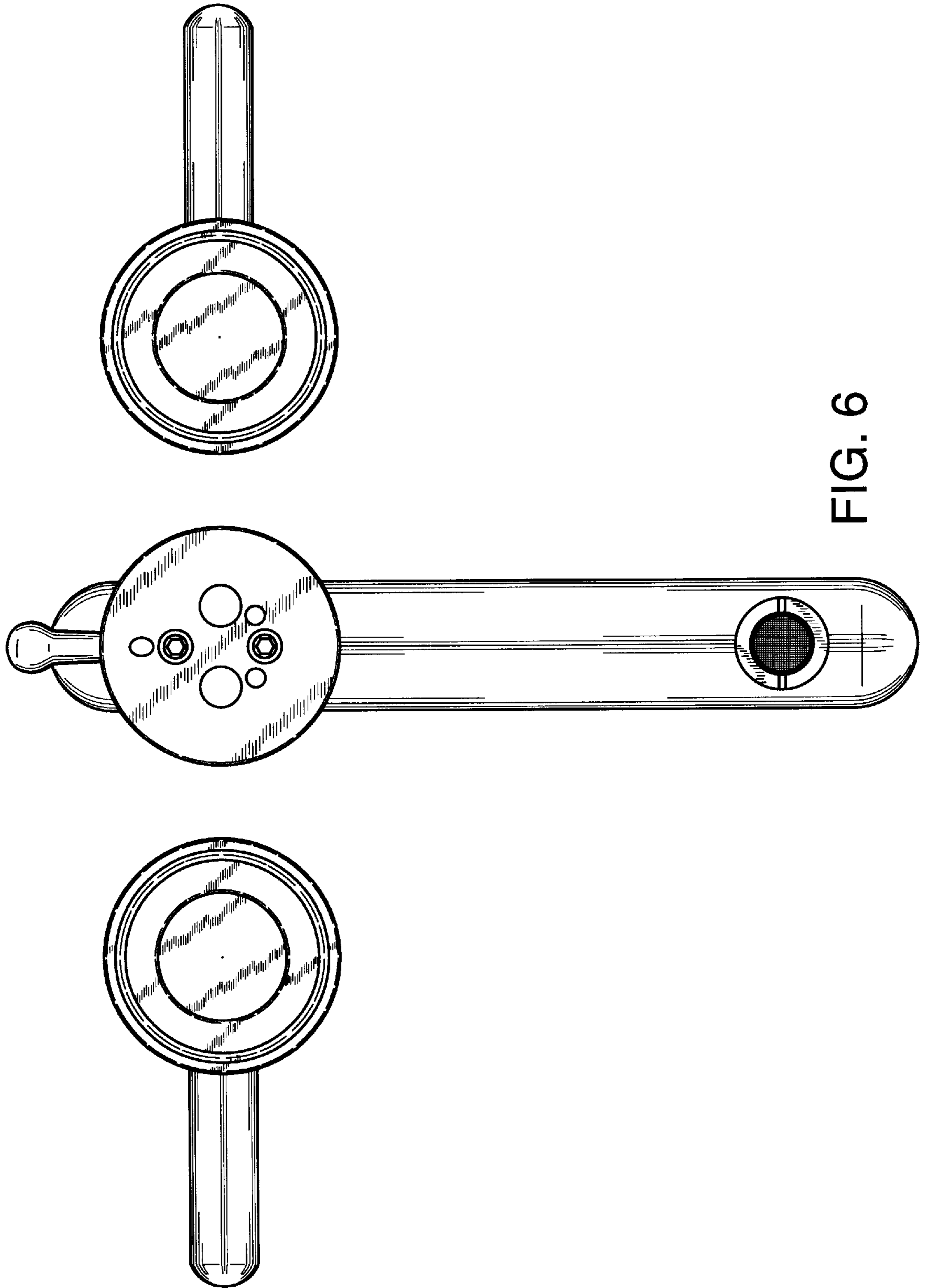


FIG. 6